

Original Instruction Manual
Instructions d'emploi d'origine
Originalbetriebsanleitung
Manuale di istruzioni originale
Originele gebruiksaanwijzing
Instrucciones de manejo originales
Instruções de serviço original
Original brugsanvisning
Πρωτότυπο εγχειρίδιο οδηγιών
Orijinal Kullanım Kılavuzu

⚠ WARNING:

Before use, read this booklet and the instruction manual of the power unit. Failure to follow the warnings and instructions may cause serious or fatal injury.

⚠ AVERTISSEMENT :

Avant d'utiliser l'appareil, lisez la présente brochure et le manuel d'instructions du groupe moteur. Le non-respect des mises en garde et instructions peut entraîner des blessures graves, voire mortelles.

⚠ WARNUNG:

Lesen Sie vor Verwendung diese Broschüre und die Betriebsanleitung des Antriebs. Bei Nichtbeachten dieser Warnungen und Anweisungen kann es zu schweren oder gar tödlichen Verletzungen kommen.

⚠ AVVERTENZA:

Leggere il presente opuscolo e le Istruzioni del gruppo di alimentazione prima dell'uso. La mancata osservanza delle avvertenze e delle istruzioni può condurre a infortuni gravi o letali.

⚠ WAARSCHUWING:

Lees voor gebruik deze gebruiksaanwijzing en de gebruiksaanwijzing van het aandrijfsysteem aandachtig door. Het niet volgen van de waarschuwingen en instructies kan leiden tot ernstig of fataal letsel.

⚠ ADVERTENCIA:

Antes del uso, lea este folleto y el manual de instrucciones del grupo motor. Si no se siguen las advertencias y las instrucciones, se pueden provocar lesiones graves o fatales.

⚠ AVISO:

Antes da utilização, leia este folheto e o manual de instruções da unidade de alimentação. O não cumprimento dos avisos e instruções pode causar ferimentos graves ou fatais.

⚠ ADVARSEL:

Læs dette hæfte og brugsanvisningen til drivenheden inden brug. Det kan medføre alvorlig eller dødelig tilskadekomst, hvis du ikke overholder advarselne og følger instruktionerne.

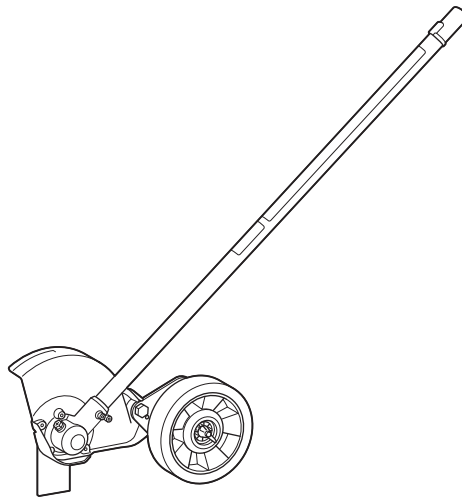
⚠ ΠΡΟΕΙΔΟΠΟΙΗΣΗ:

Πριν από τη χρήση, παρακαλούμε διαβάστε αυτό το φυλλάδιο και το εγχειρίδιο οδηγιών της κινητήριας μονάδας. Η παράλειψη εφαρμογής των προειδοποιήσεων και των οδηγιών μπορεί να προκαλέσει σοβαρό ή θανατηφόρο τραυματισμό.

⚠ UYARI:

Kullanmaya başlamadan önce, bu kılavuzu ve güç başlığının kullanım kılavuzunu okuyun. Verilen uyarılara ve talimatlara uyulmaması ciddi ve hatta ölümcül yaralanmalara yol açabilir.

PE-CS



DOLMAR



Contents

| | Page |
|------------------------------------|-------------|
| Contents | 2 |
| Foreword | 2 |
| Symbols | 2 |
| Approved power unit..... | 3 |
| Part description..... | 3 |
| Safety precautions..... | 3 |
| Assembly and adjustment | 5 |
| Operation..... | 5 |
| Inspection and maintenance..... | 6 |
| Storage | 6 |
| Maintenance schedule..... | 7 |
| Troubleshooting..... | 7 |
| Technical Data | 7 |
| EC Declaration of Conformity | 8 |

Foreword

Thank you very much for purchasing Dolmar edger attachment.
 This attachment is designed to be mounted on Dolmar power unit mentioned in this instruction manual.
 Before use, please read this booklet and the instruction manual of the power unit. They will assist you to obtain the best possible result from your Dolmar edger attachment.

Symbols

The following symbols are used on the attachment and this instruction manual. Understand these definitions.



Take particular care and attention.



Read instruction manual.



Keep working area clear of persons



Wear a eye and ear protection.



Wear protective gloves.



Wear sturdy boots with nonslip soles.
 Steeltod safety boots are recommended.



Forbidden!



First Aid

Approved power unit

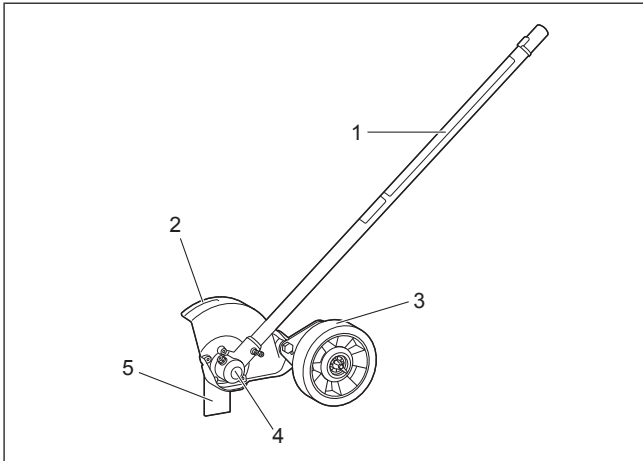
This attachment is approved to use only with the following power unit(s):

CS-246.4C Multi function power head
AC-3600, AC-3610
Cordless multi function power head

⚠ WARNING:

Never use the attachment with non-approved power unit.
Non-approved combination may cause serious injury.

Part description



The numbers below refer to the figure.

1. Shaft
2. Blade case
3. Wheel
4. Gear case
5. Blade

Safety precautions

⚠ WARNING:

Read all safety warnings and all instructions in this booklet and the instruction manual of the power unit. Failure to follow the warnings and instructions may result in electric shock, fire and/or serious injury.

Save all warnings and instructions for future reference.

The term “edger” and “equipment” in the warnings and precautions refer to the combination of the attachment and the power unit. The term “motor” in the warnings and precautions refers to the engine or electric motor of the power unit.

Intended use

- This equipment is only intended for edging the lawn in conjunction with an approved power unit. Never use the attachment for the other purpose. Abusing the attachment may cause serious injury.

General precautions

- Before starting the equipment, read this booklet and the instruction manual of the power unit to become familiar with the handling of the equipment.
- Do not lend the attachment to a person with insufficient experience or knowledge regarding handling of the equipment.
- When lending the attachment, always attach this instruction manual.
- Do not allow children or young persons under 18 years old to use the equipment. Keep them away from the equipment.
- Handle the equipment with the utmost care and attention.
- Never use the equipment after consuming alcohol or drugs, or if feeling tired or ill.

- Keep in mind that the operator or user is responsible for accidents or hazards occurring to other people or their property.
- Never attempt to modify the attachment.
- Follow the regulations about handling of the equipment in your country.

Personal protective equipment

- Wear safety helmet, protective goggles and protective gloves to protect yourself from flying debris or falling objects.



- Wear ear protection such as ear muffs to prevent hearing loss.
- Wear proper clothing and shoes for safe operation, such as a work overall and sturdy, non-slip shoes. Do not wear loose clothing or jewelry. Loose clothes, jewelry or long hair can be caught in moving parts.
- When touching the cutting blade, wear protective gloves. Cutting blades can cut bare hands severely.

Work area safety

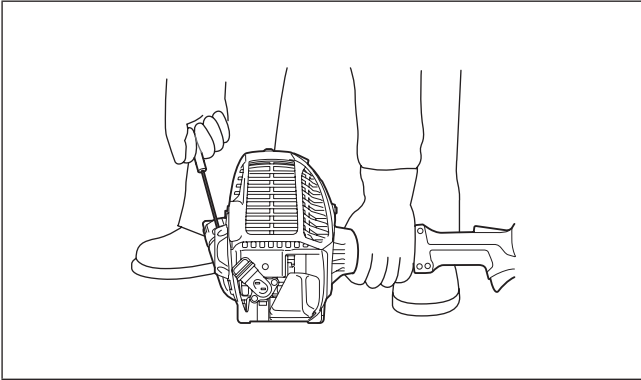
- Operate the equipment under good visibility and daylight conditions only. Do not operate the equipment in darkness or fog.
- Start and operate the engine only outdoors in a well ventilated area. Operation in a confined or poorly ventilated area can result in death due to suffocation or carbon monoxide poisoning.
- During operation, never stand on an unstable or slippery surface or a steep slope. During the cold season, beware of ice and snow and always ensure secure footing.
- During operation, keep bystanders or animals at least 15 m away from the equipment. Stop the motor as soon as someone approaches.
- Before operation, examine the work area for stones or other solid objects. They can be thrown or cause dangerous kickback and result in serious injury and/or property damage.
- **⚠ WARNING:** Use of this product can create dust containing chemicals which may cause respiratory or other illnesses. Some examples of these chemicals are compounds found in pesticides, insecticides, fertilizers and herbicides. Your risk from these exposures varies, depending on how often you do this type of work. To reduce your exposure to these chemicals: work in a well ventilated area, and work with approved safety equipment, such as those dust masks that are specially designed to filter out microscopic particles.

Putting into operation

- Before assembling or adjusting the equipment, switch off the motor and remove the spark plug cap or the battery cartridge.
- Before handling the cutter blade, wear protective gloves.
- Before starting the motor, inspect the equipment for damages, loose screws/nuts or improper assembly. If the cutter blade is bent or damaged, replace it. Check all control levers and switches for easy action. Clean and dry the handles.
- Never attempt to start the motor if the equipment is damaged or not fully assembled. Otherwise serious injury may result.
- Adjust the shoulder harness and hand grip to suit the operator's body size.

Starting motor

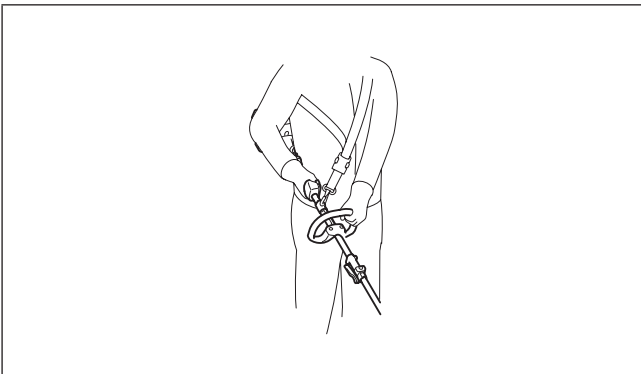
- Wear the personal equipments before starting the motor.
- Start the engine at least 3 meters (10 feet) away from the fueling spot.
- Before starting the motor, make sure that there is no person or animal in the work area.
- When starting the engine or inserting a battery cartridge, keep the cutting tool clear of your body and other object, including the ground. It may rotate when starting and may cause injury or damage to the equipment and/or property.
- Place the equipment on firm ground. Maintain good balance and secure footing.
- When pulling the starter knob, hold the power unit firmly against the ground by your left hand. Never step on the drive shaft of the power unit.



- Follow the instruction manual of the power unit for starting the motor.
- If the cutting tool rotates at idle, stop the engine and adjust the idle speed down.

Operation

- In the event of an emergency, switch off the motor immediately.
- If you feel any unusual condition (e.g. noise, vibration) during operation, switch off the motor. Do not use the equipment until the cause is recognized and solved.
- The cutting tool continues to rotate for a short period after releasing the throttle trigger or switch off the motor. Don't rush to contact the cutting tool.
- With the engine running only at idle, attach the shoulder harness.
- During operation, use the shoulder harness. Keep the equipment on your right side firmly.



- Hold the front handle with the left hand and the rear grip with the right hand, no matter you are right-hander or left-hander. Wrap your finger and thumbs around the handles.
- Never attempt to operate the equipment with one hand. Loss of control may result in serious or fatal injury. To reduce the risk of injury, keep your hands and feet away from the cutting tool.
- Do not overreach. Keep proper footing and balance at all times. Watch for hidden obstacles such as tree stumps, roots and ditches to avoid stumbling.
- Never work on a ladder or tree to avoid loss of control.
- If the equipment gets heavy impact or fall, check the condition before continuing work. Check the fuel system for fuel leakage and the controls and safety devices for malfunction. If there is any damage or doubt, ask Dolmar authorized service center for the inspection and repair.

- Do not touch the gear case. The gear case becomes hot during operation.
- Take a rest to prevent loss of control caused by fatigue. We recommend taking a 10 to 20-minute rest every hour.
- When you leave the equipment, even if it is a short time, always switch off the engine or remove the battery cartridge. The equipment unattended with the engine running may be used by unauthorized person and cause serious accident.
- Follow the instruction manual of the power unit for proper use of the control lever and switch.
- During or after operation, do not put the hot equipment onto dry grass or combustible materials.
- If grass or branches get caught between the cutting tool and guard, always stop the motor and remove the spark plug cap or the battery cartridge before cleaning. Otherwise unintentional blade rotation may cause serious injury.
- If the cutting tool hits stones or other hard objects, immediately switch off the motor and inspect the cutting tool.
- Check the cutting tool frequently during operation for cracks or damages. Before the inspection, switch off the motor and wait until the cutting tool stops completely. Replace damaged cutting tool immediately, even if it has only superficial cracks.
- Never cut above waist height.
- Before starting the cutting operation, wait until the cutting tool reaches a constant speed after pulling the trigger.
- Always be sure of your footing on slopes.
- Walk, never run.
- Use extreme caution when reversing or pulling the edger toward you.
- Make sure the blade has stopped before crossing surfaces other than grass and when transporting the edger to and from the area to be edged.
- Stop the engine whenever you leave the edger.

Cutting tools

- Never use inappropriate blades including metal multi-piece pivoting chains and flail blades. It may result in serious injury.
- Always use the cutting tool guard properly suited for the cutting tool used.

Vibration

- People with poor circulation who are exposed to excessive vibration may experience injury to blood vessels or the nervous system. Vibration may cause the following symptoms to occur in the fingers, hands or wrists: "Falling asleep" (numbness), tingling, pain, stabbing sensation, alteration of skin color or of the skin. If any of these symptoms occur, see a physician!
- To reduce the risk of "white finger disease", keep your hands warm during operation and well maintain the equipment and accessories.

Transport

- Before transporting the equipment, switch off the motor and remove the spark plug cap or battery cartridge. Remove the cutting tool.
- When transporting the equipment, carry it in a horizontal position by holding the shaft. Keep the hot muffler away from your body.
- When transporting the equipment in a vehicle, properly secure it to avoid turnover. Otherwise fuel spillage and damage to the equipment and other baggage may result.

Maintenance


- Have your equipment serviced by our authorized service center, always using only genuine replacement parts. Incorrect repair and poor maintenance can shorten the life of the equipment and increase the risk of accidents.
- Before doing any maintenance or repair work or cleaning the equipment, always switch off the motor and remove the spark plug cap or the battery cartridge. Wait until the motor gets cold.
- To reduce the risk of fire, never service the equipment in the vicinity of fire.
- Always wear protective gloves when handling the cutting blade.
- Always clean dust and dirt off the equipment. Never use gasoline, benzine, thinner, alcohol or the like for the purpose. Discoloration, deformation or cracks of the plastic components may result.
- After each use, tighten all screws and nuts, except for the carburetor adjustment screws.

- Do not attempt any maintenance or repair not described in this booklet or the instruction manual of the power unit. Ask Dolmar authorized service center for such work.
- Always use Dolmar genuine spare parts and accessories only. Using parts or accessories supplied by a third party may result in the equipment breakdown, property damage and/or serious injury.
- Request Dolmar authorized service center to inspect and maintain the equipment at regular interval.

Storage

- Before storing the equipment, perform full cleaning and maintenance. Remove the spark plug cap or the battery cartridge. Drain the fuel after the engine gets cold. Remove the cutting tool.
- If the fuel tank has to be drained, do this outdoors.
- Store the equipment in a dry and high or locked location out of reach of children.
- Do not prop the equipment against something, such as a wall. Otherwise it may fall suddenly and cause an injury.

First aid

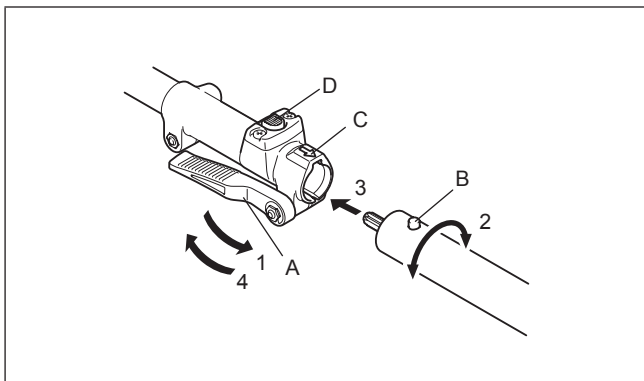
-  Always have a first-aid kit close by. Immediately replace any item taken from the first aid kit.
- When asking for help, give the following information:
 - Place of the accident
 - What happened
 - Number of injured persons
 - Nature of the injury
 - Your name

Assembly and adjustment

WARNING:

- Before assembling or adjusting the equipment, switch off the motor and remove the spark plug cap or battery cartridge. Otherwise the cutting tool or other parts may move and result in serious injury.
- Before handling cutting blade, wear protective gloves. During the assembly or adjustment, your fingers may contact with the cutting blade and it may cause serious injury.
- When assembling or adjusting the equipment, always put it down. Assembling or adjusting the equipment in an upright position may result in serious injury.
- Follow the warnings and precautions in the chapter "Safety precautions" and the instruction manual of the power unit.

Mounting the attachment to a power unit



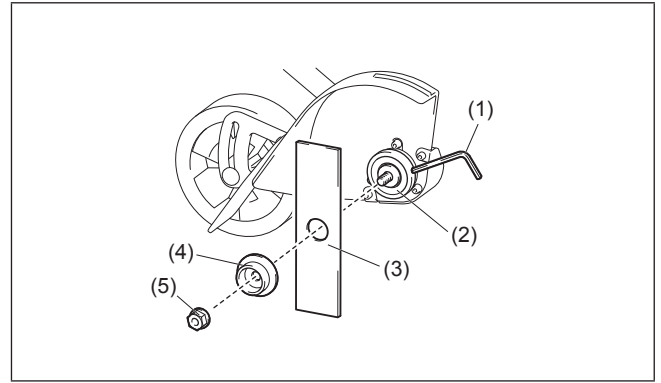
To mount the attachment to a power unit, follow the steps below.

1. Make sure that the lock lever (A) is not tightened.
2. Align the pin (B) with the arrow mark (C).
3. Insert the shaft into the drive shaft of the power unit until the release button (D) pops up.
4. Tighten the lock lever (A) firmly as shown.

To remove the attachment, loosen the lock lever, press the lock button and withdraw the shaft.

NOTICE: Do not tighten the lock lever (A) without the shaft of the attachment inserted. Otherwise the lock lever may tighten the entrance of the drive shaft too much and damage it.

Installing and removing the blade



1. Turn the receive washer (2) so that the hole on the receive washer aligns with the hole on the gear case.
2. Insert the hex wrench (1) through the holes. Make sure the receive washer does not turn.
3. Holding the hex wrench, turn the nut (5) clockwise with using a socket wrench.
4. Remove the nut and the clamp (4).
5. Place the blade (3).
6. Return the clamp and the nut.
7. Holding the hex wrench, turn the nut counterclockwise to fasten the blade.

To remove the blade, perform the above steps in reverse.

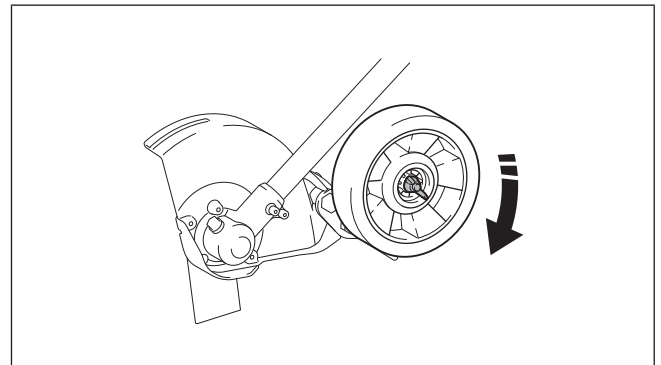
NOTE: The cutter blade-fastening nut (with spring washer) wears out in course of time. If there appears any wear or deformation on the nut, replace it.

Operation

WARNING:

- If the cutting tool moves at idle, adjust the idle speed of the engine down. Otherwise you cannot stop the cutting tool by throttle off and it may cause serious injury.
- Follow the warnings and precautions in the chapter "Safety precautions" and the instruction manual of the power unit.

Adjusting the blade depth



- Loosen the nut on the wheel.
- Move the wheel and adjust the height according to the operation, then tighten the nut.

Operation tips

- Before edging, water the area to soften the ground and make edging easier.
- Before edging, check the area and remove all obstacles and objects that could be thrown.
- Plan to edge regularly to make it easier to keep a neat edge and to avoid having to make more than one pass.

NOTE:

Blade depth may have to be adjusted due to differences in height between the hard surface and the top of the grass.

- Adjust the blades' depth of cut to produce a fine cut between sidewalk and grass using a minimum blade depth, usually with about 13 mm (1/2") of the blade into the ground.

Inspection and maintenance

⚠ WARNING:

- Before inspecting or maintaining the equipment, switch off the motor and remove the spark plug cap or battery cartridge. Otherwise the cutting tool or other parts may move and result in serious injury.
- When inspecting or maintaining the equipment, always put it down. Assembling or adjusting the equipment in an upright position may result in serious injury.
- Follow the warnings and precautions in the chapter "Safety precautions" and the instruction manual of the power unit.

Resharpener the cutting tool

⚠ WARNING:

Do not sharpen cutting blades by yourself. Manual sharpening unbalances a cutting blade and it can cause vibrations and damage to the equipment.

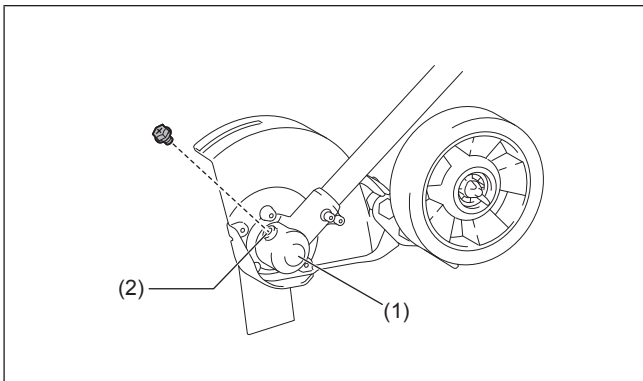
Ask Dolmar authorized service center to sharpen and rebalance blunt cutter blades.

Lubricating moving parts

NOTICE: Follow the instruction of the frequency and amount of grease supplied. Otherwise insufficient lubrication may damage moving parts.

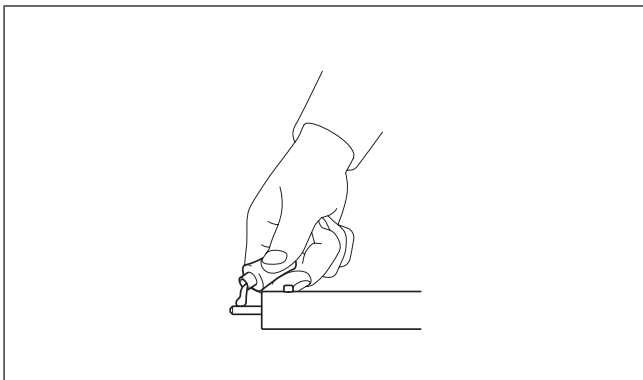
Gear case:

Supply grease (Shell Alvania 2 or equivalent) to the gear case (1) through the grease hole (2) every 30 hours of operation. (Genuine Dolmar grease may be purchased from your local Dolmar dealer.)



Drive axle:

Supply grease (Shell Alvania No.2 or equivalent) every 30 hours of operation.



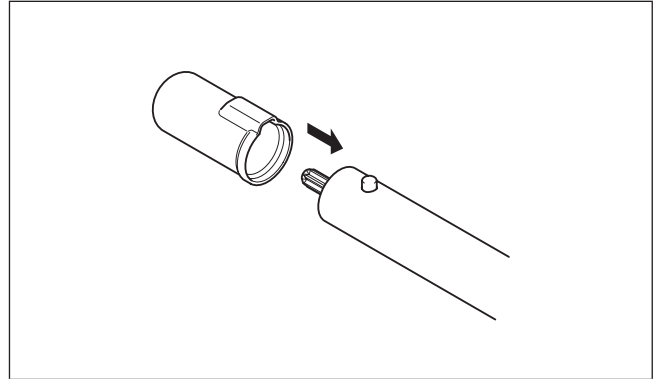
Overall inspection

- Tighten loose bolts, nuts and screws.
- Check for damaged parts. Ask Dolmar authorized service center to replace them.

Storage

⚠ WARNING:

Follow the warnings and precautions in the chapter "Safety precautions" and the instruction manual of the power unit.



When storing the edger attachment separated from the power unit, put the cap onto the end of the shaft.

Maintenance schedule

| Operating hour | | Before Operation | Daily (10h) | 30h | If required | Corresponding page |
|----------------------------|---|------------------|-------------|-----|-------------|--------------------|
| Whole unit | Visually inspect for damaged parts | ○ | | | | 6 |
| All fixing screws and nuts | Tighten | ○ | | | | 6 |
| Gear case | Supply grease | | | ○ | | 6 |
| Drive axle | Supply grease | | | ○ | | 6 |
| Cutter blade | Visually inspect for damage | ○ | ○ | | | 6 |
| Power unit | Refer to the instruction manual of the power unit | | | | | |

Troubleshooting

| Problem | Probable cause | Solution |
|---|---|--|
| The engine does not start. | Refer to the instruction manual of the power unit. | |
| The engine stops soon after its start. | | |
| The maximum speed is limited. | | |
| The cutting tool does not rotate. → Stop the motor immediately! | The cutting blade is not tightened securely. | Tighten the cutting blade securely. |
| | A twig is caught between the cutting blade and the protector. | Remove the foreign matter. |
| | The drive system does not work properly. | Ask Dolmar authorized service center to inspect and repair it. |
| The unit vibrates abnormally. → Stop the motor immediately! | The cutting blade is bent, worn or broken. | Replace the cutting blade with new one. |
| | The cutting blade is not tightened securely. | Tighten the cutting blade securely. |
| | The cutting blade is not fitted on the receive washer. | Install the cutting blade properly. |
| | The drive system does not work properly. | Ask Dolmar authorized service center to inspect and repair it. |
| The cutting tool does not stop. → Stop the motor immediately! | The power unit does not work properly. | Refer to the instruction manual of the power unit. |

Technical Data

| | | |
|--|----|-----------------|
| Model | | PE-CS |
| Dimensions (L x W x H) | mm | 878 x 131 x 291 |
| Net weight (Not including protector and blade) | kg | 2.4 |
| Cutting blade diameter | mm | 203 |
| Gear ratio | | 14/29 |

EC Declaration of Conformity

(For European countries only)

The undersigned, Rainer Bergfeld, as authorized by Dolmar GmbH, declares that the DOLMAR machine(s):

Designation of Machine: Edger Attachment

Model No./ Type: PE-CS

Specifications: see "Technical Data"

are of series production and

Conforms to the following European Directive(s):

2006/42/EC

And are manufactured in accordance with the following standard(s)

or standardised document(s):

ISO 11789

The technical documentation is on file at:

Dolmar GmbH

Jenfelder Straße 38, Abteilung FZ, D-22045 Hamburg

2. 7. 2013



Rainer Bergfeld
Managing Director

Sommaire

| | Page |
|------------------------------------|-------------|
| Sommaire | 9 |
| Avant-propos | 9 |
| Symboles | 9 |
| Groupe moteur agréé | 10 |
| Description des pièces | 10 |
| Précautions de sécurité | 10 |
| Assemblage et réglage | 12 |
| Fonctionnement | 13 |
| Examen et entretien | 13 |
| Entreposage | 13 |
| Programme d'entretien | 14 |
| Dépannage | 14 |
| Caractéristiques techniques | 14 |
| Déclaration de conformité CE | 15 |

Avant-propos

Merci d'avoir acheté la tête dresse-bordures Dolmar. Cette tête doit être installée sur le groupe moteur Dolmar indiqué dans le présent manuel d'instructions.

Avant d'utiliser l'outil, lisez le présent manuel ainsi que le manuel d'instructions du groupe moteur. Ils vous aideront à obtenir les meilleurs résultats possibles de votre tête dresse-bordures Dolmar.

Symboles

Les symboles suivants figurent sur la tête et dans le présent manuel d'instructions. Veuillez à comprendre ces définitions.



Utilisez d'attention et de soins particuliers.



Référez-vous au manuel d'instructions.



Éloigner les personnes de la zone de travail



Portez des lunettes de protection et des protège-oreilles.



Portez des gants de protection.



Portez des bottes de sécurité avec des semelles antidérapantes. Les bottes de sécurité coquées sont recommandées.



Interdit !



Premiers soins

Groupe moteur agréé

Cette tête ne peut être utilisée qu'avec les groupes moteur suivants :

CS-246.4C Outil multi-fonctions

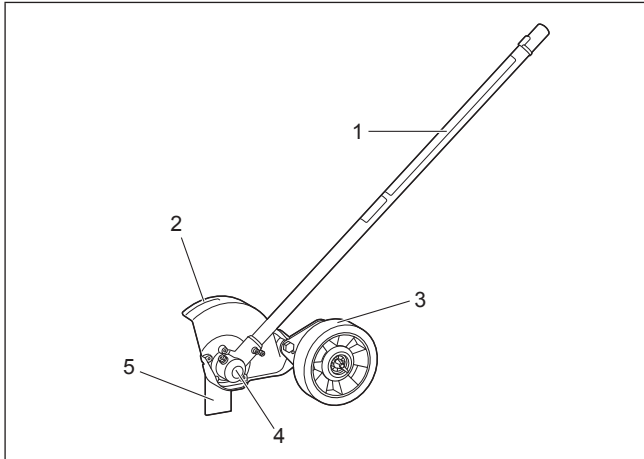
AC-3600, AC-3610

Moteur multi-fonctions sans fil

⚠ AVERTISSEMENT :

N'utilisez jamais la tête avec un groupe moteur non agréé. L'association de pièces non agréées peut provoquer des blessures graves.

Description des pièces



Les chiffres ci-dessous se rapportent à l'illustration.

1. Arbre
2. Carter de lame
3. Roue
4. Carter d'engrenage
5. Lame

Précautions de sécurité

⚠ AVERTISSEMENT :

Lisez toutes les mises en garde de sécurité et instructions figurant dans ce manuel et le manuel d'instructions du groupe moteur. Le non-respect des mises en garde et instructions peut entraîner un choc électrique, un incendie et/ou des blessures graves.

Conservez toutes les mises en garde et instructions pour référence ultérieure.

Les termes « dresse-bordures » et « appareil » indiqués dans les mises en garde et précautions se rapportent à l'association de la tête et du groupe moteur.

Le terme « moteur » indiqué dans les mises en garde et précautions se rapporte au moteur (électrique ou à essence) du groupe moteur.

Utilisation conforme aux prescriptions

- Cet appareil est destiné uniquement au dressage du gazon en conjonction avec un groupe moteur agréé. N'utilisez jamais la tête à d'autres fins. L'utilisation inappropriée de la tête peut provoquer des blessures graves.

Précautions générales

- Avant de démarrer l'appareil, lisez la présente brochure et le manuel d'instructions du groupe moteur afin de vous familiariser avec le maniement de l'appareil.
- Ne prêtez pas la tête à une personne qui ne dispose pas de l'expérience ou des connaissances suffisantes en matière d'utilisation de cet appareil.
- Lorsque vous prêtez la tête, prêtez également le présent manuel d'instructions.

- Ne laissez pas les enfants ou les jeunes de moins de 18 ans utiliser l'appareil. Gardez-les éloignés de l'appareil.
- Ne maniez l'appareil qu'avec une précaution et une attention extrêmes.
- N'utilisez jamais l'appareil après avoir consommé de l'alcool ou des médicaments, ou bien si vous vous sentez fatigué(e) ou malade.
- Gardez à l'esprit que l'opérateur ou l'utilisateur est responsable des accidents ou blessures survenant à d'autres personnes ou à leurs biens.
- Ne tentez jamais de modifier la tête.
- Respectez les normes d'utilisation de cet appareil dans votre pays.

Équipement de protection corporel

- Portez un casque de sécurité ainsi que des lunettes et des gants de protection afin de vous protéger des projections de débris ou des chutes d'objets.



- Portez des protections auditives telles que des protège-oreilles afin de vous prémunir contre les pertes d'audition.
- Pour un fonctionnement en toute sécurité, portez des chaussures et des vêtements adaptés, tels qu'une combinaison et des chaussures équipées de semelles antidérapantes. Évitez de porter des vêtements amples et des bijoux. Les vêtements amples, bijoux et cheveux longs peuvent être happés par les pièces en mouvement.
- Lorsque vous touchez la lame de coupe, portez des gants de protection. Vous risqueriez de vous couper grièvement les mains.

Sécurité de la zone de travail

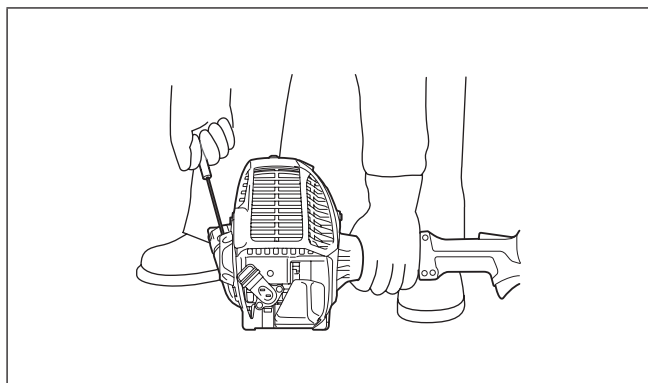
- N'utilisez l'appareil que lorsque les conditions de visibilité et de luminosité sont bonnes. Ne vous en servez pas dans l'obscurité ou en cas de brouillard.
- Ne démarrez le moteur et n'utilisez l'appareil qu'en extérieur dans une zone bien ventilée. Le fonctionnement de l'outil dans une zone confinée ou mal ventilée eut entraîner la mort par suffocation ou empoisonnement au monoxyde de carbone.
- Lors du fonctionnement de l'outil, ne vous tenez jamais sur une surface instable ou glissante ou sur une pente abrupte. En hiver, méfiez-vous du gel et de la neige et veillez à garder votre équilibre.
- Lors du fonctionnement de l'appareil, éloignez les personnes et les animaux d'au moins 15 m. Arrêtez le moteur dès qu'une personne s'approche.
- Avant l'utilisation, recherchez les pierres ou autres objets durs éventuellement présents dans la zone de travail. Ils peuvent être éjectés ou provoquer des rebonds dangereux et causer de graves blessures et/ou des dégâts matériels.
- **⚠ AVERTISSEMENT :** L'utilisation de ce produit peut créer des poussières contenant des produits chimiques susceptibles d'entraîner des problèmes respiratoires ou autres. Les composés que l'on trouve dans les pesticides, les insecticides, les engrais et les herbicides en sont quelques exemples. Les risques encourus en raison de cette exposition varient selon la fréquence à laquelle vous effectuez ce type de travaux. Pour réduire votre exposition à ces produits chimiques : travaillez dans une zone bien ventilée et avec un équipement de sécurité agréé, tel qu'un masque à poussière spécialement conçu pour filtrer les particules microscopiques.

Mise en marche

- Avant d'assembler ou de régler l'appareil, éteignez le moteur et retirez le protecteur de bougie ou la batterie.
- Avant de manipuler la lame, enfillez des gants de protection.
- Avant de démarrer le moteur, assurez-vous que l'appareil n'est pas endommagé, que les vis et écrous sont bien serrés et que l'assemblage a été effectué correctement. Si la lame est déformée ou endommagée, remplacez-la. Vérifiez que tous les leviers de commande et interrupteurs peuvent être actionnés sans forcer.
- Ne tentez jamais de démarrer le moteur si l'appareil est endommagé ou s'il n'est pas entièrement assemblé. Dans le cas contraire, vous risqueriez de vous blesser grièvement.
- Réglez les bretelles de sécurité et la poignée en fonction de votre taille.

Démarrage du moteur

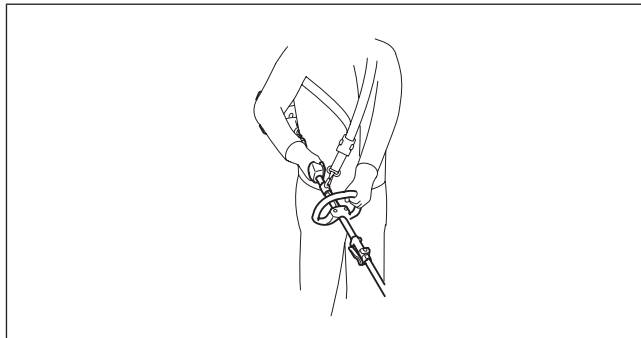
- Avant de démarrer le moteur, enfillez l'équipement corporel.
- Ne démarrez le moteur qu'à une distance d'au moins 3 mètres du point de ravitaillement.
- Avant de démarrer le moteur, assurez-vous qu'aucun individu ou animal ne se trouve dans la zone de travail.
- Lors du démarrage du moteur ou de l'insertion d'une batterie, maintenez l'outil de coupe à distance de votre corps et des autres objets, notamment du sol. Il pourrait tourner au démarrage et provoquer des blessures ou endommager l'appareil et/ou d'autres objets.
- Placez l'appareil sur un sol stable. Gardez une bonne position d'équilibre et une bonne prise au sol.
- Au moment de tirer sur le démarreur, maintenez fermement le groupe moteur contre le sol avec votre main gauche. Ne montez jamais sur l'arbre d'entraînement du groupe moteur.



- Pour démarrer le moteur, suivez le manuel d'instructions du groupe moteur.
- Si l'outil de coupe tourne au ralenti, coupez le moteur et réduisez la vitesse.

Fonctionnement

- En cas d'urgence, coupez immédiatement le moteur.
- En cas de situation anormale (par exemple, du bruit, des vibrations) pendant le fonctionnement, éteignez le moteur. N'utilisez pas l'appareil avant d'avoir déterminé et corrigé la cause du problème.
- Lorsque vous relâchez la commande d'accélérateur ou coupez le moteur, l'outil de coupe continue à tourner quelques instants. Ne touchez pas immédiatement à l'outil de coupe.
- Après avoir réglé la vitesse du moteur au ralenti, fixez les bretelles de sécurité.
- Pendant le fonctionnement, utilisez les bretelles de sécurité. Tenez fermement l'appareil sur votre côté droit.



- Tenez la poignée avant avec la main gauche et la poignée arrière avec la main droite, que vous soyez droitier ou gaucher. Enserrez les poignées avec vos doigts et votre pouce.
- Ne tentez jamais d'utiliser l'appareil avec une seule main. Une perte de contrôle pourrait entraîner des blessures graves ou mortelles. Pour réduire les risques de blessures, éloignez vos mains et vos pieds de l'outil de coupe.
- Maintenez une bonne position. Conservez une bonne prise au sol et restez constamment en équilibre. Pour éviter de trébucher, prenez garde aux obstacles cachés, tels que les souches d'arbres, les racines et les fossés.
- Pour éviter toute perte de contrôle, ne travaillez jamais sur une échelle ou un arbre.
- En cas de chute ou d'impact de l'appareil, vérifiez qu'il est en bon état avant de poursuivre le travail. Vérifiez qu'il n'y a pas de fuite de carburant dans le circuit d'alimentation et que les commandes et dispositifs de sécurité fonctionnent correctement. En cas de dommage ou de doute, demandez à un centre d'entretien agréé Dolmar d'examiner et de réparer l'appareil.
- Ne touchez pas le carter d'engrenage. Le carter d'engrenage devient chaud lors du fonctionnement.
- Reposez-vous pour éviter toute perte de contrôle due à la fatigue. Il est recommandé de faire une pause de 10 à 20 minutes toutes les heures.
- Lorsque vous vous éloignez de l'appareil, même pendant un court instant, arrêtez toujours le moteur ou retirez la batterie. Ne laissez pas l'appareil sans surveillance avec le moteur allumé car il pourrait être utilisé par des personnes non autorisées et causer des accidents graves.
- Pour utiliser correctement le levier de commande et l'interrupteur, suivez le manuel d'instructions du groupe moteur.
- Pendant ou après l'utilisation, ne posez pas l'appareil chaud sur de l'herbe sèche ou des matériaux combustibles.
- Si de l'herbe ou des branches sont coincées entre l'outil de coupe et le protège-lame, coupez toujours le moteur et retirez le protecteur de bougie ou la batterie avant de procéder au nettoyage. Dans le cas contraire, la rotation involontaire de la lame pourrait causer de graves blessures.
- Si l'outil de coupe heurte des pierres ou d'autres objets durs, éteignez immédiatement le moteur et examinez l'outil de coupe.
- Lors de l'utilisation, vérifiez fréquemment que l'outil de coupe ne présente pas de fissures et n'est pas endommagé. Avant l'examen, éteignez le moteur et attendez que l'outil de coupe s'arrête complètement. Si l'outil de coupe est endommagé, remplacez-le immédiatement, même s'il ne s'agit que de fissures superficielles.
- Ne coupez jamais à une hauteur supérieure aux épaules.
- Avant de commencer à travailler, attendez que l'outil de coupe atteigne une vitesse constante après l'avoir démarré.
- Assurez vos pas dans les pentes.
- Marchez, ne courez jamais.
- Faites particulièrement attention lorsque vous reculez ou tirez le dresse-bordures vers vous.
- Vérifiez que la lame est arrêté avant de traverser d'autres surfaces que le gazon et lorsque vous transportez le dresse-bordures vers et depuis la zone à tailler.
- Coupez le moteur dès que vous vous éloignez du dresse-bordures.

Outils de coupe

- N'utilisez jamais de lames inappropriées, y compris les chaînes pivotantes en métal et les lames batteuses. Cela pourrait provoquer de graves blessures.
- Utilisez toujours le protège-lame de l'outil de coupe adapté à l'outil de coupe utilisé.

Vibrations

- Les personnes souffrant de troubles circulatoires peuvent subir des blessures au niveau des vaisseaux sanguins ou du système nerveux si elles sont exposées à des vibrations excessives. Les vibrations peuvent entraîner les symptômes suivants aux doigts, mains ou poignets : engourdissement, picotements, douleur, sensation lancinante, changement de couleur de la peau ou altération de la peau. Si l'un ou l'autre de ces symptômes apparaît, consultez un médecin !
- Pour réduire le risque de « maladie des doigts blancs », gardez vos mains au chaud lors de l'utilisation et entretenez correctement l'appareil et les accessoires.

Transport

- Avant de transporter l'appareil, éteignez le moteur et retirez le protecteur de bougie ou la batterie. Déposez l'outil de coupe.
- Lorsque vous transportez l'appareil, placez-le en position horizontale en tenant l'arbre. Gardez le pot d'échappement chaud éloigné de votre corps.
- Lorsque vous transportez l'appareil dans un véhicule, fixez-le correctement pour éviter qu'il se retourne. Dans le cas contraire, le carburant pourrait se répandre et endommager l'appareil et d'autres bagages.


Entretien

- Faites entretenir votre appareil par notre centre d'entretien agréé, en utilisant toujours uniquement des pièces de rechange d'origine. Une réparation incorrecte et un mauvais entretien peuvent raccourcir la durée de vie de l'appareil et augmenter le risque d'accident.
- Avant de procéder aux tâches d'entretien ou de réparation ou bien avant de nettoyer l'appareil, éteignez toujours le moteur et retirez le protecteur de bougie ou la batterie. Attendez que le moteur soit froid.
- Pour réduire les risques d'incendie, ne procédez jamais à l'entretien de l'appareil à proximité d'un feu.
- Portez toujours des gants de protection lorsque vous manipulez la lame de coupe.
- Débarrassez toujours l'appareil de la poussière et de la saleté. Pour ce faire, n'utilisez jamais d'essence, de benzine, de diluant, d'alcool ou de produit similaire. Il pourrait s'ensuivre une décoloration, une déformation ou des fissures des composants en plastique.
- Après chaque utilisation, serrez toutes les vis et tous les écrous, à l'exception des vis de réglage du carburateur.
- N'essayez pas d'effectuer des tâches d'entretien ou des réparations non décrites dans ce manuel ou dans le manuel d'instructions qui accompagne le groupe moteur. Demandez à un centre d'entretien agréé Dolmar d'effectuer ce type de tâche.
- Utilisez toujours des pièces de rechange et accessoires Dolmar d'origine uniquement. L'utilisation de pièces ou d'accessoires fournis par un tiers pourrait entraîner une panne de l'appareil, des dégâts matériels et/ou de graves blessures.
- Demandez régulièrement à un centre d'entretien agréé Dolmar d'examiner et d'effectuer l'entretien de l'appareil.

Entreposage

- Avant d'entreposer l'appareil, procédez à son nettoyage et son entretien complets. Retirez le protecteur de bougie ou la batterie. Purgez le carburant lorsque le moteur est froid. Déposez l'outil de coupe.
- Le cas échéant, vidangez le réservoir de carburant en extérieur.
- Rangez l'appareil dans un endroit sec et en hauteur ou sous verrou, hors de portée des enfants.
- N'appuyez pas l'appareil contre un support, tel qu'un mur. Il risquerait de tomber subitement et de provoquer des blessures.

Premiers soins

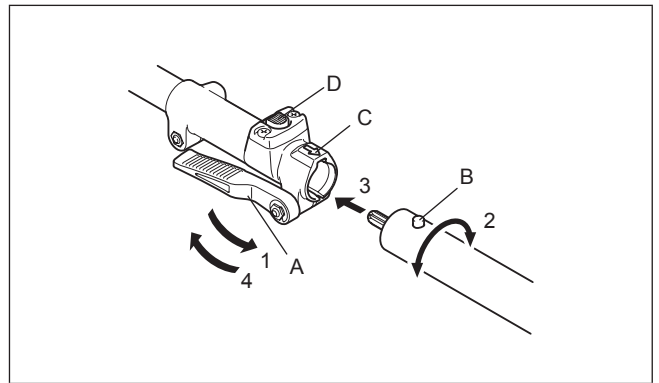
-  Ayez toujours une trousse de premiers soins à proximité. Remplacez immédiatement tout article pris dans la trousse de premiers soins.
- Lorsque vous demandez de l'aide, fournissez les renseignements suivants :
 - Lieu de l'accident
 - Ce qui s'est passé
 - Nombre de personnes blessées
 - Type de blessure
 - Votre nom

Assemblage et réglage

⚠ AVERTISSEMENT :

- Avant d'assembler ou de régler l'appareil, éteignez le moteur et retirez le protecteur de bougie ou la batterie. Dans le cas contraire, l'outil de coupe ou d'autres pièces pourraient bouger et entraîner des blessures graves.
- Avant de manipuler la lame de coupe, enflez des gants de protection. Pendant le montage et le réglage, la lame de coupe peut entrer en contact avec vos doigts et causer des blessures graves.
- Posez toujours l'appareil pour procéder à son assemblage ou son réglage. Si vous assemblez ou réglez l'appareil en position verticale, vous risquez d'être grièvement blessé(e).
- Respectez les mises en garde et précautions figurant dans le chapitre « Précautions de sécurité » et le manuel d'instructions du groupe moteur.

Fixation de la tête au groupe moteur



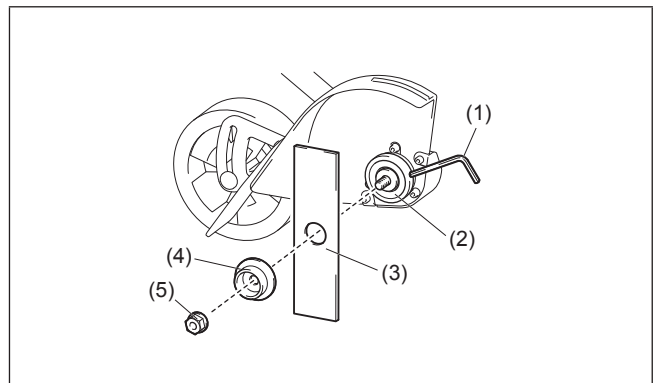
Pour installer la tête sur un groupe moteur, procédez comme suit :

1. Assurez-vous que le levier de verrouillage (A) n'est pas serré.
2. Alignez la goupille (B) et la flèche (C).
3. Insérez l'arbre dans l'arbre d'entraînement du groupe moteur jusqu'à ce que le bouton-poussoir (D) s'éjecte.
4. Serrez solidement le levier de verrouillage (A), comme illustré.

Pour retirer la tête, desserrez le levier de verrouillage, appuyez sur le bouton de verrouillage, et retirez l'arbre.

NOTE : Ne serrez pas le levier de verrouillage (A) sans avoir inséré l'arbre de la tête. Dans le cas contraire, le levier de verrouillage risquerait de serrer trop fortement l'entrée de l'arbre d'entraînement et de l'endommager.

Installation et retrait de la lame



1. Tournez la rondelle de réception (2) afin que son orifice s'aligne sur l'orifice du carter d'engrenage.
2. Insérez la clé hexagonale (1) dans les orifices. Veillez à ce que la rondelle de réception ne tourne pas.
3. Tout en tenant la clé hexagonale, tournez l'écrou (5) dans le sens horaire avec une clé à douilles.
4. Retirez l'écrou et le collier (4).
5. Mettez la lame (3) en place.
6. Retirez le collier et l'écrou.
7. Tout en tenant la clé hexagonale, tournez l'écrou dans le sens antihoraire pour fixer la lame.

Pour retirer la lame, exécutez les étapes précédentes en sens inverse.

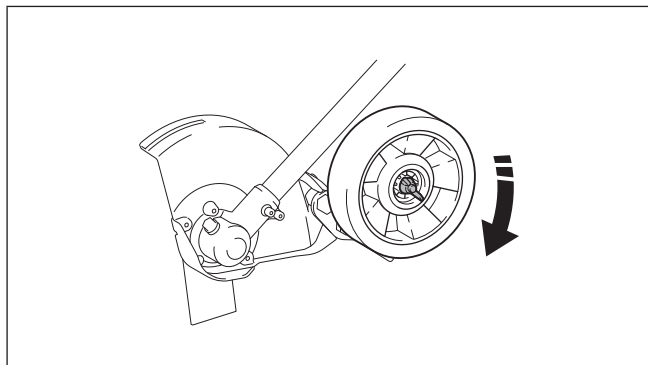
REMARQUE : L'écrou de fixation de la lame de coupe (avec rondelle à ressort) s'use au fil du temps. Si l'écrou semble usé ou déformé, remplacez-le.

Fonctionnement

⚠ AVERTISSEMENT :

- Au ralenti, si l'outil de coupe tourne, réduisez la vitesse du moteur. Sinon, vous ne pourrez pas arrêter l'outil de coupe, ce qui pourrait entraîner des blessures graves.
- Respectez les mises en garde et précautions figurant dans le chapitre « Précautions de sécurité » et le manuel d'instructions du groupe moteur.

Réglage de la profondeur de la lame



- Desserrez l'écrou sur la roue.
- Déplacez la roue et réglez la hauteur en fonction du travail à effectuer, puis serrez l'écrou.

Conseils de fonctionnement

- Avant de procéder au dressage, arrosez la zone concernée pour ramollir le sol et faciliter le dressage.
- Avant le dressage, vérifiez la zone et retirez tous les obstacles et objets susceptibles d'être projetés.
- Prévoyez de tailler régulièrement les bordures afin d'avoir facilement toujours des bords soignés et d'éviter de faire plusieurs passages.

REMARQUE :

Il peut s'avérer nécessaire de régler la profondeur de la lame en raison de différences de hauteur entre la surface dure et la partie supérieure du gazon.

- Réglez la profondeur de coupe des lames pour produire une coupe fine entre le trottoir et le gazon en sélectionnant une profondeur de lame minimum, où la lame est généralement enfoncée à 13 mm (1/2") de profondeur dans le sol.

Examen et entretien

⚠ AVERTISSEMENT :

- Avant d'examiner ou de procéder à l'entretien de l'appareil, éteignez le moteur et retirez le protecteur de bougie ou la batterie. Dans le cas contraire, l'outil de coupe ou d'autres pièces pourraient bouger et entraîner des blessures graves.
- Posez toujours l'appareil pour procéder à son examen ou son entretien. Si vous assemblez ou réglez l'appareil en position verticale, vous risquez d'être grièvement blessé(e).
- Respectez les mises en garde et précautions figurant dans le chapitre « Précautions de sécurité » et le manuel d'instructions du groupe moteur.

Réaffûtage de l'outil de coupe

⚠ AVERTISSEMENT :

Ne réaffûtez pas vous-même les lames de coupe. Le réaffûtage manuel déséquilibre la lame de coupe et peut provoquer des vibrations qui détériorent l'appareil.

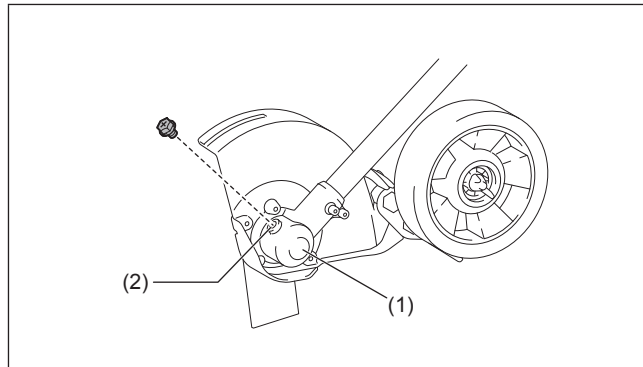
Demandez à un centre d'entretien agréé Dolmar de réaffûter et rééquilibrer les lames de coupe émoussées.

Graissage des pièces en mouvement

NOTE : Respectez les instructions relatives à la fréquence et la quantité de graisse à appliquer. Dans le cas contraire, un graissage insuffisant pourrait endommager les pièces en mouvement.

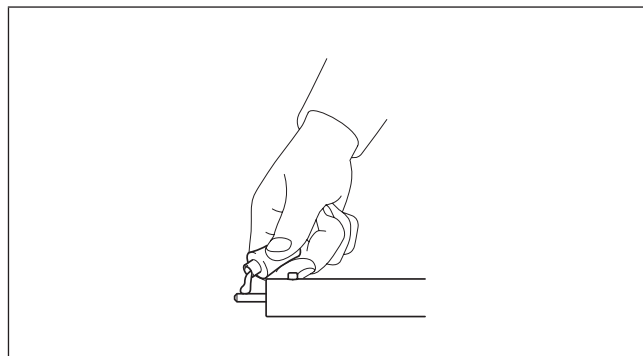
Carter d'engrenage :

Mettez de la graisse (Shell Alvania 2 ou équivalent) dans le carter d'engrenage (1) à travers l'orifice de graissage (2) toutes les 30 heures de fonctionnement. (Vous pouvez acheter de la graisse d'origine Dolmar chez votre revendeur Dolmar.)



Axe d'entraînement :

Appliquez de la graisse (Shell Alvania n°2 ou équivalent) toutes les 30 heures de fonctionnement.



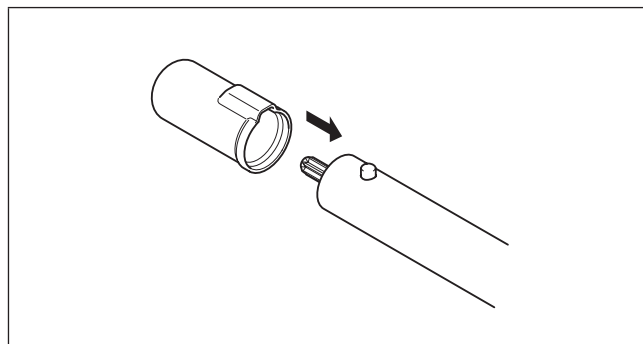
Examen général

- Serrez les vis, boulons et écrous mal serrés.
- Vérifiez si des pièces sont endommagées. Demandez à un centre d'entretien agréé Dolmar de les remplacer le cas échéant.

Entreposage

⚠ AVERTISSEMENT :

Respectez les mises en garde et précautions figurant dans le chapitre « Précautions de sécurité » et le manuel d'instructions du groupe moteur.



Si vous entreposez la tête dresse-bordures séparément du groupe moteur, placez le capot à l'extrémité de l'arbre.

Programme d'entretien

| Heures de fonctionnement | | Avant utilisation | Quotidien (10 h) | 30 h | Si nécessaire | Page correspondante |
|------------------------------------|---|-------------------|------------------|------|---------------|---------------------|
| Appareil complet | Examiner visuellement l'appareil à la recherche de pièces endommagées | ○ | | | | 13 |
| Tous les écrous et vis de fixation | Serrer | ○ | | | | 13 |
| Carter d'engrenage | Injecter de la graisse | | | ○ | | 13 |
| Axe d'entraînement | Injecter de la graisse | | | ○ | | 13 |
| Lame de coupe | Inspecter visuellement l'appareil à la recherche de dommages | ○ | ○ | | | 13 |
| Groupe moteur | Se reporter au manuel d'instructions du groupe moteur | | | | | |

Dépannage

| Problème | Cause probable | Solution |
|--|--|---|
| Le moteur ne démarre pas. | Reportez-vous au manuel d'instructions du groupe moteur. | |
| Le moteur s'arrête peu après avoir démarré. | | |
| La vitesse maximale est limitée. | | |
| L'outil de coupe ne tourne pas. → Éteignez immédiatement le moteur ! | La lame de coupe n'est pas bien fixée. | Serrez fermement la lame de coupe. |
| | Une brindille est coincée entre la lame de coupe et le dispositif de protection. | Retirez le corps étranger. |
| | Le système d'entraînement ne fonctionne pas correctement. | Demandez à un centre d'entretien agréé Dolmar de l'examiner et de le réparer. |
| L'appareil vibre anormalement. → Éteignez immédiatement le moteur ! | La lame de coupe est tordue, usée ou cassée. | Remplacez la lame de coupe. |
| | La lame de coupe n'est pas bien fixée. | Serrez fermement la lame de coupe. |
| | La lame de coupe n'est pas ajustée sur la rondelle de réception. | Installez correctement la lame de coupe. |
| | Le système d'entraînement ne fonctionne pas correctement. | Demandez à un centre d'entretien agréé Dolmar de l'examiner et de le réparer. |
| L'outil de coupe ne s'arrête pas. → Éteignez immédiatement le moteur ! | Le groupe moteur ne fonctionne pas correctement. | Reportez-vous au manuel d'instructions du groupe moteur. |

Caractéristiques techniques

| | | |
|---|-------|-----------------|
| Modèle | PE-CS | |
| Dimensions (L x P x H) | mm | 878 x 131 x 291 |
| Poids net (hors dispositif de protection et lame) | kg | 2,4 |
| Diamètre de la lame de coupe | mm | 203 |
| Rapport de vitesse | 14/29 | |

Déclaration de conformité CE

(Pour les pays d'Europe uniquement)

Le soussigné, Rainer Bergfeld, tel qu'autorisé par Dolmar GmbH, déclare que les machines DOLMAR suivantes :

Nom de la machine : Tête dresse-bordures

N° de modèle/Type : PE-CS

Spécifications : voir « Caractéristiques techniques »

sont produites en série et

sont conformes aux directives européennes suivantes :

2006/42/CE

Et sont produites conformément aux normes ou documents de normalisation suivants :

ISO 11789

La documentation technique se trouve dans les locaux de l'entreprise sise :

Dolmar GmbH

Jenfelder Straße 38, Abteilung FZ, D-22045 Hamburg

2. 7. 2013



Rainer Bergfeld
Directeur général

Inhalt

| | Seite |
|--|--------------|
| Inhalt..... | 16 |
| Vorwort | 16 |
| Symbole | 16 |
| Zugelassener Antrieb..... | 17 |
| Beschreibung der Teile | 17 |
| Arbeitsschutz..... | 17 |
| Zusammenbauen und Anpassen..... | 19 |
| Betrieb | 20 |
| Inspektions- und Wartungsarbeiten..... | 20 |
| Lagerung | 21 |
| Wartungsplan | 22 |
| Fehlerbehandlung..... | 22 |
| Technische Daten..... | 22 |
| EG-Konformitätserklärung..... | 23 |

Vorwort

Herzlichen Glückwunsch, dass Sie sich für den Kauf eines Kantenschneider-Vorsatzes von Dolmar entschieden haben. Dieser Vorsatz ist für die Montage auf den in dieser Betriebsanleitung erwähnten Antrieb von Dolmar vorgesehen. Lesen Sie vor Verwendung diese Broschüre und die Betriebsanleitung des Antriebs. So können Sie die bestmöglichen Ergebnisse mit Ihrem Kantenschneider-Vorsatz von Dolmar erzielen.

Symbole

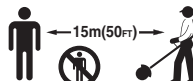
Die folgenden Symbole werden auf dem Vorsatz und in diesem Handbuch verwendet. Es ist wichtig, dass Sie die Bedeutung dieser Symbole kennen.



Seien Sie besonders vorsichtig.



Lesen Sie die Betriebsanleitung.



Im Arbeitsbereich dürfen sich keine anderen Personen aufhalten!



Tragen Sie Augen- und Gehörschutz!



Tragen Sie Schutzhandschuhe.



Tragen Sie festes Schuhwerk mit rutschfesten Sohlen. Empfohlen werden Arbeitsschutzschuhe mit Stahlkappen.



Verboten!



Erste Hilfe

Zugelassener Antrieb

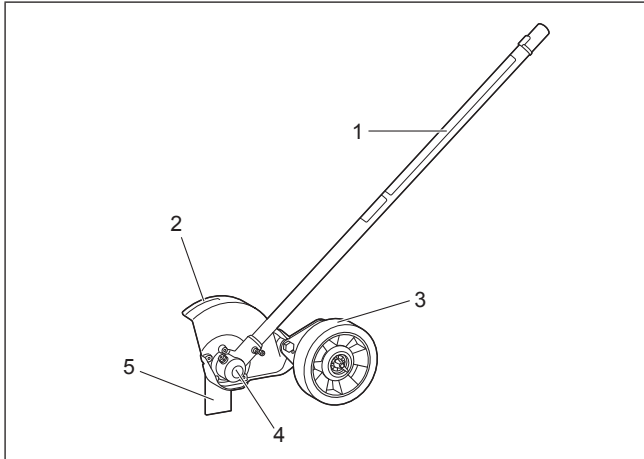
Dieser Vorsatz ist nur für die Verwendung mit folgendem Antrieb zugelassen:

CS-246.4C Multifunktions-Antrieb
AC-3600, AC-3610
Multifunktions-Antrieb

⚠️ WARNUNG:

Verwenden Sie diesen Vorsatz niemals mit einem nicht dafür zugelassenen Antrieb. Eine nicht genehmigte Kombination kann zu schweren Verletzungen führen.

Beschreibung der Teile



Die Zahlen entsprechen der Abbildung.

1. Welle
2. Schneidblattgehäuse
3. Scheibe
4. Getriebegehäuse
5. Schneidblatt

Arbeitsschutz

⚠️ WARNUNG:

Lesen Sie alle Sicherheitshinweise und Anleitungen in dieser Broschüre und in der Betriebsanleitung des Antriebs. Wenn die aufgeführten Warnhinweise und Anweisungen nicht beachtet werden, besteht die Gefahr eines Stromschlags, Brands und/oder die Gefahr schwerer Verletzungen.

Bewahren Sie alle Warnhinweise und Anweisungen zum späteren Nachschlagen gut auf.

Die Begriffe „Kantenschneider“ und „Werkzeug“ in den Warnungen und Hinweisen zum Arbeitsschutz beziehen sich auf die Kombination aus Vorsatz und Antrieb.

Der Begriff „Motor“ in den Warnungen und Hinweisen zum Arbeitsschutz bezieht sich auf den Verbrennungsmotor bzw. Elektromotor des Antriebs.

Verwendungszweck

- Dieses Werkzeug ist nur für das Schneiden von Rasenkanten in Verbindung mit einem zugelassenen Antrieb vorgesehen. Verwenden Sie diesen Vorsatz niemals für andere Zwecke. Bei zweckfremder Verwendung kann es zu schweren Verletzungen kommen.

Allgemeine Vorsichtsmaßnahmen

- Lesen Sie diese Broschüre und die Betriebsanleitung des Antriebs und machen Sie sich mit der Handhabung des Werkzeugs vertraut, bevor Sie das Werkzeug starten.
- Überlassen Sie diesen Vorsatz nur solchen Personen, die über ausreichende Kenntnisse und Erfahrungen im Umgang mit dem Werkzeug verfügen.

- Übergeben Sie immer auch diese Betriebsanleitung, wenn Sie diesen Vorsatz anderen Personen überlassen.
- Das Werkzeug darf nicht von Kindern und Personen unter 18 Jahren gehandhabt werden. Halten Sie diesen Personenkreis vom Werkzeug fern.
- Verwenden Sie das Gerät mit äußerster Aufmerksamkeit und Vorsicht.
- Betreiben Sie das Werkzeug niemals, wenn Sie unter dem Einfluss von Alkohol und/oder Medikamenten stehen, oder wenn Sie ermüdet oder krank sind.
- Beachten Sie, dass der Bediener für Unfälle mit oder Gefahren für andere Personen oder deren Eigentum verantwortlich ist.
- Versuchen Sie niemals, technische Änderungen am Vorsatz vorzunehmen.
- Halten Sie die in Ihrem Land geltenden Gesetze und Bestimmungen bezüglich des Umgangs mit dem Werkzeug ein.

Persönliche Schutzausrüstung

- Tragen Sie einen Schutzhelm, eine Schutzbrille und Schutzhandschuhe, um sich vor herumfliegenden Fremdkörpern und herunterfallenden Objekten zu schützen.



- Tragen Sie Gehörschutz, z. B. Gehörschutzkapseln, um Hörschäden zu vermeiden.
- Tragen Sie geeignete Kleidung und geeignetes Schuhwerk, z. B. einen Arbeitsoverall und feste Schuhe mit rutschfester Sohle. Tragen Sie keine weite Kleidung und keinen Schmuck. Weite Kleidung, Schmuck und langes Haar können sich in sich bewegenden Teilen verfangen.
- Tragen Sie beim Umgang mit dem Schneidblatt Schutzhandschuhe. Schneidblätter können an ungeschützten Händen schwere Schnittwunden verursachen.

Sicherheit am Arbeitsplatz

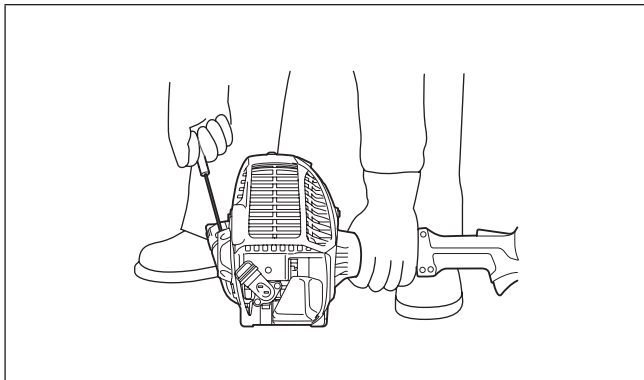
- Betreiben Sie das Werkzeug nur bei guten Sichtverhältnissen und unter Tageslicht. Betreiben Sie das Werkzeug nicht in der Dunkelheit oder bei Nebel.
- Starten und betreiben Sie den Motor nur im Freien in gut belüfteten Bereichen. Bei Betrieb in geschlossenen Räumen oder unzureichend belüfteten Bereichen bestehen Erstickungsgefahr und die Gefahr einer Kohlenmonoxidvergiftung.
- Führen Sie die Arbeiten niemals auf einer instabilen oder rutschigen Fläche oder an einem Steilhang stehend aus. Achten Sie in der kalten Jahreszeit auf Schnee und Eis, und sorgen Sie immer für einen sicheren Stand.
- Achten Sie darauf, dass umstehende Personen und Tiere einen Abstand von mindestens 15 m zum Werkzeug einhalten. Stoppen Sie den Motor sofort, wenn sich Personen nähern.
- Kontrollieren Sie vor Beginn der Arbeiten den Arbeitsbereich auf das Vorhandensein von Steinen und sonstigen massiven Objekten. Diese können umherfliegen oder gefährliche Rückschläge verursachen und zu Verletzungen und/oder Sachschäden führen.
- ⚠️ **WARNUNG:** Bei Gebrauch dieses Produkts kann Staub entstehen, der Chemikalien enthält, die Erkrankungen der Atemwege und andere Erkrankungen verursachen können. Beispiele solcher Chemikalien sind Bestandteile in Pestiziden, Insektiziden, Düngemitteln und Herbiziden. Die Höhe der Gesundheitsgefährdung hängt davon ab, wie oft Sie derartige Arbeiten ausführen. Sorgen Sie für eine gute Belüftung des Arbeitsbereichs und verwenden Sie zugelassene Schutzausrüstungen, beispielsweise solche Staubmasken, die speziell für das Filtern mikroskopischer Partikel vorgesehen sind.

Inbetriebnahme

- Schalten Sie stets den Motor aus und ziehen Sie den Zündkerzenstecker bzw. den Akkublock ab, bevor Sie das Werkzeug zusammenbauen oder Einstellungen am Werkzeug vornehmen.
- Tragen Sie beim Umgang mit dem Schneidblatt Schutzhandschuhe.
- Überprüfen Sie das Werkzeug auf Beschädigungen, gelockerte Schrauben/Muttern oder unsachgemäßen Zusammenbau, bevor Sie den Motor starten. Tauschen Sie ein verbogenes oder beschädigtes Schneidblatt aus. Überprüfen Sie, ob alle Bedienelemente und Schalter ordnungsgemäß funktionieren. Halten Sie die Griffe sauber und trocken.
- Starten Sie den Motor niemals, wenn das Werkzeug beschädigt oder nicht vollständig zusammengebaut ist. Anderenfalls kann es zu schweren Verletzungen kommen.
- Passen Sie Schultergurt und Handgriff auf die Körpergröße des Bedieners an.

Starten des Motors

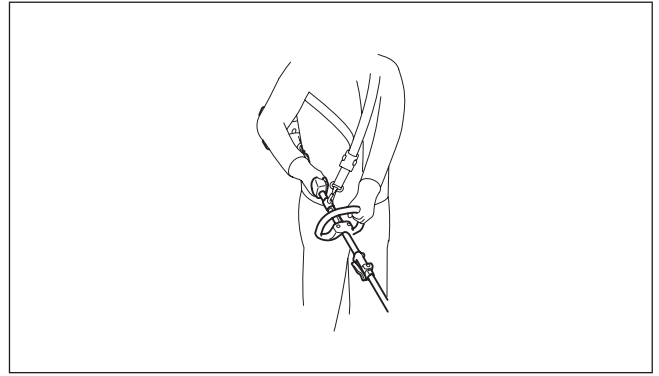
- Legen Sie vor dem Starten des Motors die persönliche Schutzausrüstung an.
- Halten Sie beim Starten des Motors einen Abstand von mindestens 3 m zum Betankungsort.
- Stellen Sie vor dem Starten des Motors sicher, dass sich keine Personen oder Tiere im Arbeitsbereich aufhalten.
- Halten Sie das Schneidwerkzeug von Ihrem Körper und anderen Objekten, einschließlich Boden, fern, wenn Sie den Motor starten bzw. einen Akkublock einsetzen. Beim Starten des Motors kann es anfangen zu rotieren, wodurch es zu schweren Verletzungen und/oder Schäden am Werkzeug und/oder anderen Sachschäden kommen kann.
- Legen Sie das Werkzeug auf dem Boden ab. Achten Sie auf Ihr Gleichgewicht und auf sicheren Stand.
- Halten Sie den Antrieb des Werkzeugs mit der linken Hand fest gegen den Boden, wenn Sie den Startergriff ziehen. Treten Sie nicht mit dem Fuß auf die Antriebswelle des Antriebs.



- Starten Sie den Motor wie in der Betriebsanleitung des Antriebs erläutert.
- Wenn sich das Schneidwerkzeug im Leerlauf dreht, stoppen Sie den Motor und stellen Sie eine niedrigere Leerlaufdrehzahl ein.

Betrieb

- Schalten Sie bei einem Notfall sofort den Motor aus.
- Schalten Sie den Motor aus, wenn Sie während des Betriebs etwas Ungewöhnliches (z. B. ungewöhnliche Geräusche, Vibrationen) bemerken. Verwenden Sie das Werkzeug erst dann wieder, nachdem die Ursache gefunden und behoben wurde.
- Nach dem Loslassen des Gashebels bzw. Ausschalten des Motors dreht sich das Schneidwerkzeug noch eine kurze Zeit. Berühren Sie das Schneidwerkzeug erst nach vollständigem Stillstand.
- Lassen Sie den Motor im Leerlauf laufen und legen Sie sich den Schultergurt um.
- Verwenden Sie während des Betriebs den Schultergurt. Belassen Sie das Werkzeug mit sicherem Griff an Ihrer rechten Seite.



- Erfassen Sie, auch wenn Sie Linkshänder sind, den vorderen Griff mit der linken Hand und den hinteren Griff mit der rechten Hand. Legen Sie Finger und Daumen fest um die Griffe.
- Versuchen Sie niemals, das Werkzeug mit nur einer Hand zu bedienen. Dadurch kann es zum Verlust der Kontrolle und zu schweren oder gar tödlichen Verletzungen kommen. Halten Sie Hände und Füße vom Schneidwerkzeug fern, um die Gefahr von Verletzungen zu vermeiden.
- Überdehnen Sie Ihren Standbereich nicht. Achten Sie jederzeit auf sicheren Stand und sicheres Gleichgewicht. Achten Sie auf verborgene Hindernisse wie Baumstümpfe, Wurzeln und Kanäle, damit Sie nicht stolpern oder gar stürzen.
- Arbeiten Sie niemals auf einer Leiter oder auf einem Ast stehend oder sitzend, damit es nicht zu einem Verlust der Kontrolle kommen kann.
- Wenn das Werkzeug einem starken Stoß ausgesetzt wurde oder heruntergefallen ist, überprüfen Sie den Zustand des Werkzeugs, bevor Sie die Arbeiten fortsetzen. Überprüfen Sie das Kraftstoffsystem auf Leckagen und die Bedienelemente und Sicherheitseinrichtungen auf Fehlfunktionen. Wenn Sie einen Schaden bemerken oder sich nicht sicher sind, wenden Sie sich zur Inspektion und Reparatur an ein autorisiertes Dolmar-Servicecenter.
- Berühren Sie nicht das Getriebegehäuse. Bei Betrieb erhitzt sich das Getriebegehäuse.
- Legen Sie regelmäßige Pausen ein, damit es nicht zu einem Kontrollverlust aufgrund von Ermüdungserscheinungen kommt. Wir empfehlen, jede Stunde eine Pause von 10 bis 20 Minuten einzulegen.
- Schalten Sie immer den Motor aus bzw. ziehen Sie den Akkublock ab, wenn Sie das Werkzeug, auch nur kurzzeitig, unbeaufsichtigt lassen. Wenn ein unbeaufsichtigtes Werkzeug mit laufendem Motor von einer unbefugten Person ergriffen wird, kann es zu schweren Unfällen kommen.
- Informieren Sie sich in der Betriebsanleitung des Antriebs über das ordnungsgemäße Bedienen des Regelungshebels und sonstiger Bedienelemente.
- Legen Sie das erhitzte Werkzeug während oder nach den Arbeiten nicht auf trockenem Gras oder brennbaren Materialien ab.
- Falls sich Gras oder Äste zwischen dem Schneidwerkzeug und dem Schutz verfangen, stoppen Sie vor dem Reinigen stets den Motor und entfernen Sie den Zündkerzenstecker oder Akkublock. Andernfalls kann eine unbeabsichtigte Drehung des Schneidblattes schwere Verletzungen verursachen.
- Sollte das Schneidwerkzeug durch Steine oder andere harte Gegenstände getroffen werden, schalten Sie sofort den Motor aus und überprüfen Sie das Schneidwerkzeug.
- Prüfen Sie das Schneidwerkzeug während des Betriebs häufig auf Risse oder Schäden. Schalten Sie vor dem Überprüfen den Motor aus und warten Sie, bis das Schneidwerkzeug vollständig stoppt. Ersetzen Sie ein beschädigtes Schneidwerkzeug sofort, auch wenn es nur oberflächliche Risse aufweist.
- Schneiden Sie niemals über Hüfthöhe.
- Warten Sie vor Beginn des Schneidens, bis das Schneidwerkzeug nach Betätigung des Gashebels seine konstante Drehzahl erreicht hat.
- Achten Sie auch an Hängen immer auf einen sicheren Stand.
- Gehen Sie, rennen Sie niemals.
- Seien Sie besonders vorsichtig, wenn Sie den Kantenschneider wenden oder zu sich heranziehen.
- Vergewissern Sie sich, dass das Schneidblatt zum Stillstand gekommen ist, bevor Sie andere Oberflächen als Gras

überqueren und wenn Sie den Kantenschneider in und aus dem Schnittbereich transportieren.

- Schalten Sie den Motor immer aus, wenn Sie den Kantenschneider unbeaufsichtigt lassen.

Schneidwerkzeuge

- Verwenden Sie niemals ungeeignete Blätter, auch keine metallischen, mehrteiligen Pivotketten und Schlegelmesser. Dies kann zu schweren Verletzungen führen.
- Verwenden Sie stets den für das verwendete Schneidwerkzeug geeigneten Schutz für das Schneidwerkzeug.

Vibration

- Wenn sich Personen mit Durchblutungsstörungen zu starken mechanischen Schwingungen aussetzen, kann es zu Schädigungen von Blutgefäßen und/oder des Nervensystems kommen. Folgende Symptome können durch Vibrationen an Fingern, Händen oder Handgelenken auftreten: „Einschlafen“ von Körperteilen (Taubheit), Kribbeln, Schmerz, Stechen, Veränderung von Hautfarbe oder Haut. Falls eines dieser Symptome auftritt, suchen Sie einen Arzt auf!
- Um das Risiko der „Weißfingerkrankheit“ zu verringern, halten Sie Ihre Hände während des Arbeitens warm und warten und pflegen Sie Maschine und Zubehörteile gut.

Transport

- Schalten Sie stets den Motor aus und ziehen Sie den Zündkerzenstecker bzw. den Akkublock ab, bevor Sie das Werkzeug transportieren. Demontieren Sie das Schneidwerkzeug.
- Fassen Sie das Werkzeug zum Transportieren an der Welle und tragen Sie das Werkzeug waagrecht. Halten Sie den heißen Auspuffschalldämpfer von Ihrem Körper fern.
- Sichern Sie das Werkzeug bei Transport in einem Fahrzeug ordnungsgemäß, damit es nicht umkippen kann. Anderenfalls kann Kraftstoff auslaufen, und es kann zu Beschädigungen am Werkzeug und an anderen Gepäckstücken kommen.

Wartung


- Lassen Sie Ihr Werkzeug durch unser autorisiertes Servicecenter warten. Verwenden Sie stets nur originale Ersatzteile. Unsachgemäße Reparatur- und Wartungsarbeiten können die Lebenszeit des Werkzeugs verkürzen und das Unfallrisiko erhöhen.
- Schalten Sie stets den Motor aus und ziehen Sie den Zündkerzenstecker bzw. den Akkublock ab, bevor Sie Wartungs-, Reparatur- oder Reinigungsarbeiten am Werkzeug vornehmen. Warten Sie, bis sich der Motor abgekühlt hat.
- Führen Sie Arbeiten am Werkzeug niemals in der Nähe von offenen Flammen aus. Brandgefahr!
- Tragen Sie beim Umgang mit dem Schneidblatt immer Schutzhandschuhe.
- Reinigen Sie das Werkzeug immer von Staub und Schmutz. Verwenden Sie zum Reinigen niemals Kraftstoffe, Benzin, Verdüner, Alkohol oder ähnliches. Dies kann zu Verfärbungen, Verformungen oder Rissen an den Kunststoffkomponenten führen.
- Ziehen Sie nach jedem Gebrauch alle Schrauben und Muttern nach, mit Ausnahme der Vergasereinstellschrauben.
- Führen Sie keine Wartungs- und Reparaturarbeiten aus, die nicht in dieser Broschüre oder in der Betriebsanleitung des Antriebs aufgeführt sind. Wenden Sie sich zwecks Ausführen derartiger Arbeiten an Ihr autorisiertes Dolmar-Servicecenter.
- Verwenden Sie ausschließlich Originalersatzteile und Originalzubehör von Dolmar. Bei Verwenden von Teilen und Zubehör anderer Hersteller kann es zu schweren Verletzungen, Beschädigungen des Werkzeugs und/oder Sachschäden kommen.
- Wenden Sie sich an Ihr autorisiertes Dolmar-Servicecenter, um eine regelmäßige Inspektion und Wartung vornehmen zu lassen.

Lagerung

- Führen Sie vor der Lagerung des Werkzeugs eine vollständige Reinigung und Wartung durch. Ziehen Sie den Zündkerzenstecker bzw. den Akkublock ab. Warten Sie, bis sich der Motor abgekühlt hat, und lassen Sie dann den Kraftstoff ab. Demontieren Sie das Schneidwerkzeug.

- Falls der Kraftstofftank geleert werden muss, sollten Sie dies im Freien tun.
- Lagern Sie das Werkzeug an einem Ort, der hoch genug oder verschließbar ist, damit Kinder nicht an das Werkzeug gelangen können.
- Lehnen Sie das Werkzeug niemals gegen etwas, beispielsweise gegen eine Wand. Anderenfalls könnte das Werkzeug plötzlich umfallen und Verletzungen verursachen.

Erste Hilfe

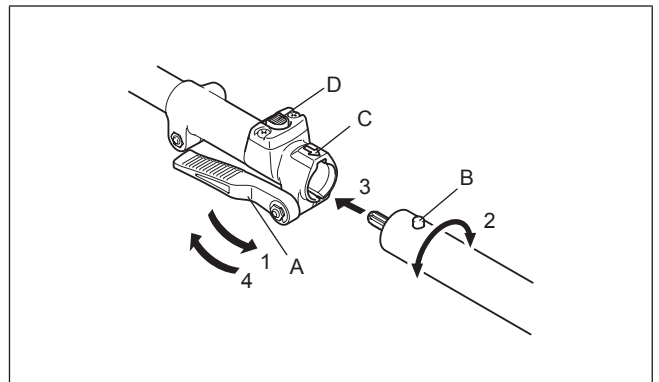
-  Halten Sie immer einen Erste-Hilfe-Kasten zur Hand. Ersetzen Sie aus dem Erste-Hilfe-Kasten entnommene Materialien sofort.
- Machen Sie bei einem Notruf folgende Angaben:
 - Ort des Unfalls
 - Was ist passiert
 - Anzahl der verletzten Personen
 - Art der Verletzungen
 - Ihr Name

Zusammenbauen und Anpassen

WARNUNG:

- Schalten Sie stets den Motor aus und ziehen Sie den Zündkerzenstecker bzw. den Akkublock ab, bevor Sie das Werkzeug zusammenbauen oder Einstellungen am Werkzeug vornehmen. Anderenfalls könnten sich das Schneidwerkzeug oder andere Bauteile unerwartet bewegen und schwere Verletzungen verursachen.
- Tragen Sie beim Umgang mit dem Schneidblatt Schutzhandschuhe. Während der Montage oder dem Einstellen könnten Ihre Finger in Kontakt mit dem Schneidblatt kommen und Sie können sich verletzen.
- Legen Sie das Werkzeug für Montage- und Einstellungsarbeiten immer auf dem Boden ab. Beim Zusammenbauen oder Einstellen des Werkzeugs in aufrechter Position kann es zu schweren Verletzungen kommen.
- Beachten Sie alle Warn- und Sicherheitshinweise in Kapitel „Arbeitsschutz“ und in der Betriebsanleitung des Antriebs.

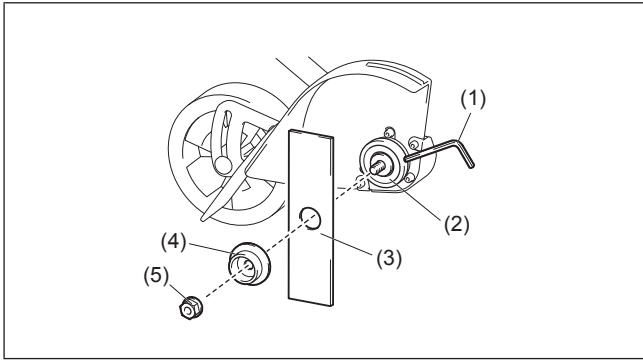
Befestigen des Vorsatzes an einen Antrieb



So montieren Sie den Vorsatz an einen Antrieb.

1. Stellen Sie sicher, dass der Arretierhebel (**A**) nicht festgezogen ist.
 2. Richten Sie den Stift (**B**) mit der Pfeilmarkierung (**C**) aus.
 3. Setzen Sie die Welle in die Antriebswelle des Antriebs ein, bis die Freigabetaste (**D**) hervortritt.
 4. Ziehen Sie den Arretierhebel (**A**) wie dargestellt fest. Zum Abnehmen des Vorsatzes lösen Sie den Arretierhebel, drücken Sie die Verriegelungstaste und ziehen Sie die Welle heraus.
- HINWEIS:** Ziehen Sie den Arretierhebel (**A**) nicht ohne eingesetztes Vorsatz-Welle fest. Anderenfalls kann der Arretierhebel die Aufnahme der Antriebswelle zu eng festziehen und dadurch beschädigen.

Montage und Demontage des Schneidblattes



1. Drehen Sie die Aufnahmescheibe (2), sodass die Öffnung in der Aufnahmescheibe mit der Öffnung auf dem Getriebegehäuse ausgerichtet ist.
2. Setzen Sie den Innensechskantschlüssel (1) durch die Öffnungen ein. Stellen Sie sicher, dass sich die Aufnahmescheibe nicht dreht.
3. Drehen Sie die Schraubenmutter (5) mit einem Steckschlüssel im Uhrzeigersinn, während Sie den Innensechskantschlüssel festhalten.
4. Entfernen Sie die Schraubenmutter und die Klemme (4).
5. Platzieren Sie das Schneidblatt (3).
6. Setzen Sie die Klemme und die Schraubenmutter wieder ein.
7. Um das Schneidblatt zu befestigen, drehen Sie die Schraubenmutter entgegen dem Uhrzeigersinn, während Sie den Innensechskantschlüssel festhalten.

Führen Sie zur Demontage des Schneidblattes die o.g. Schritte in umgekehrter Reihenfolge durch.

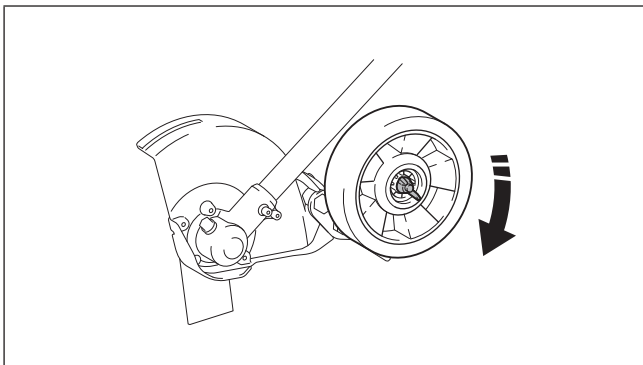
HINWEIS: Die Schraubenmutter zum Befestigen des Schneidblattes (mit Federscheibe) ist ein Verschleißteil. Wenn Sie Verschleiß oder Deformation an der Schraubenmutter feststellen, ersetzen Sie diese.

Betrieb

⚠️ WARNUNG:

- Wenn sich das Schneidwerkzeug im Leerlauf bewegt, stellen Sie eine niedrigere Leerlaufdrehzahl des Motors ein. Andernfalls können Sie das Schneidwerkzeug bei ausgeschalteter Kraftstoffzufuhr nicht stoppen, was zu schweren Verletzungen führen kann.
- Beachten Sie alle Warn- und Sicherheitshinweise in Kapitel „Arbeitsschutz“ und in der Betriebsanleitung des Antriebs.

Einstellen der Schneidblatttiefe



- Lösen Sie die Schraubenmutter auf der Scheibe.
- Bewegen Sie die Scheibe und stellen Sie die Höhe gemäß der durchzuführenden Arbeiten ein und ziehen Sie die Schraubenmutter dann fest.

Tipps für den Betrieb

- Bewässern Sie den Boden vor dem Schneiden der Kanten, um ihn weicher zu machen. Dadurch wird das Schneiden der Kanten einfacher.
- Untersuchen Sie den Bereich vor dem Schneiden der Kanten und entfernen Sie alle Hindernisse und Objekte, die weggeschleudert werden könnten.

- Planen Sie ein regelmäßiges Schneiden der Kanten ein. Dadurch ist es leichter, eine ordentliche Kante zu erreichen. Vermeiden Sie es, mehrere Durchgänge machen zu müssen.

HINWEIS:

Die Blatttiefe muss möglicherweise aufgrund von Höhenunterschieden zwischen der harten Oberfläche und der Grasoberkante eingestellt werden.

- Stellen Sie die Schnitttiefe des Schneidblattes so ein, dass ein feiner Schnitt zwischen Gehweg und Gras erzeugt wird. Dies geschieht mit einer Mindestschnitttiefe von normalerweise ca. 13 mm vom Blatt in den Boden.

Inspektions- und Wartungsarbeiten

⚠️ WARNUNG:

- Schalten Sie stets den Motor aus und ziehen Sie den Zündkerzenstecker bzw. den Akkublock ab, bevor Sie Wartungsarbeiten am Werkzeug vornehmen. Andernfalls könnten sich das Schneidwerkzeug oder andere Bauteile unerwartet bewegen und schwere Verletzungen verursachen.
- Legen Sie das Werkzeug für Inspektions- und Wartungsarbeiten immer auf dem Boden ab. Beim Zusammenbauen oder Einstellen des Werkzeugs in aufrechter Position kann es zu schweren Verletzungen kommen.
- Beachten Sie alle Warn- und Sicherheitshinweise in Kapitel „Arbeitsschutz“ und in der Betriebsanleitung des Antriebs.

Schärfen des Schneidwerkzeugs

⚠️ WARNUNG:

Schärfen Sie Schneidblätter nicht selbst. Manuelles Neuschärfen erzeugt eine Unwucht des Schneidblattes und kann zu Schwingungen und zur Beschädigung des Werkzeugs führen.

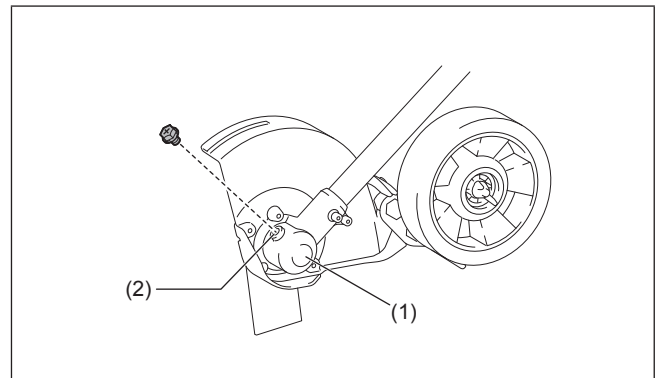
Wenden Sie sich zum Schärfen und Auswuchten verschlissener Schneidblätter an Ihr autorisiertes Dolmar-Servicecenter.

Schmieren beweglicher Teile

HINWEIS: Folgen Sie den Anweisungen zur Häufigkeit und Menge der Schmierung. Durch unzureichende Schmierung können bewegliche Teile beschädigt werden.

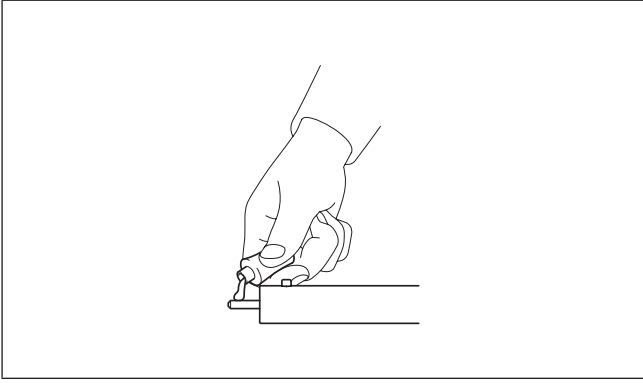
Getriebegehäuse:

Bringen Sie nach jeweils 30 Betriebsstunden Schmierfett (Shell Alvania 2 oder gleichwertig) durch die Schmieröffnung (2) in das Getriebegehäuse (1) ein. (Originale Dolmar-Schmierfett erhalten Sie bei Ihrem örtlichen Dolmar-Händler.)



Antriebswelle:

Tragen Sie nach jeweils 30 Betriebsstunden ein Schmierfett (Shell Alvania Nr. 2 oder gleichwertiges) auf.



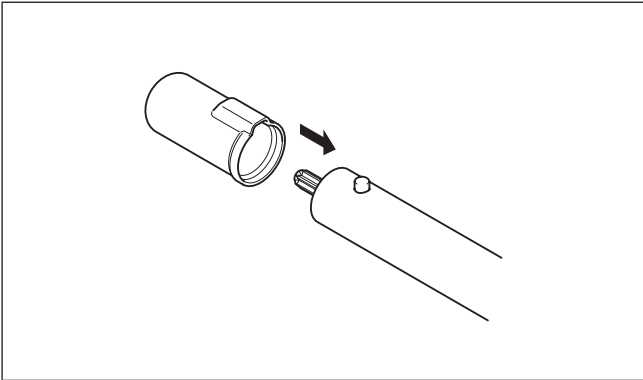
Allgemeine Inspektion

- Ziehen Sie lose Schrauben und Schraubenmuttern wieder fest.
- Überprüfen Sie Bauteile auf Beschädigung. Wenden Sie sich zum Austauschen defekter Teile an Ihr autorisiertes Dolmar-Servicecenter.

Lagerung

⚠️ WARNUNG:

Beachten Sie alle Warn- und Sicherheitshinweise in Kapitel „Arbeitsschutz“ und in der Betriebsanleitung des Antriebs.



Wenn Sie den Kantenschneider-Vorsatz getrennt vom Antrieb aufbewahren, setzen Sie die Kappe auf das Ende der Welle auf.

Wartungsplan

| Betriebsstunden | | Vor dem Betrieb | Täglich (10 h) | 30 h | Wenn erforderlich | Siehe Seite |
|---|---------------------------------------|-----------------|----------------|------|-------------------|-------------|
| Gesamtes Werkzeug | Sichtprüfung auf beschädigte Bauteile | ○ | | | | 21 |
| Alle Befestigungsschrauben und -muttern | Festziehen | ○ | | | | 21 |
| Getriebegehäuse | Schmieren | | | ○ | | 20 |
| Antriebswelle | Schmieren | | | ○ | | 20 |
| Schneidblatt | Sichtprüfung auf beschädigte Bauteile | ○ | ○ | | | 20 |
| Antrieb | Siehe Betriebsanleitung zum Antrieb | | | | | |

Fehlerbehandlung

| Problem | Wahrscheinliche Ursache | Lösung |
|---|--|---|
| Der Motor startet nicht. | Siehe Bedienungsanleitung zum Antrieb. | |
| Der Motor geht kurz nach dem Start aus. | | |
| Die Höchstdrehzahl ist begrenzt. | | |
| Das Schneidwerkzeug dreht sich nicht. ➔ Stoppen Sie den Motor sofort! | Das Schneidblatt ist nicht sicher festgezogen. | Ziehen Sie das Schneidblatt fest an. |
| | Ein Zweig hat sich zwischen dem Schneidblatt und dem Schutz verfangen. | Entfernen Sie die Fremdkörper. |
| | Das Antriebssystem arbeitet nicht korrekt. | Wenden Sie sich zur Inspektion und Reparatur an Ihr autorisiertes Dolmar-Servicecenter. |
| Das Werkzeug vibriert unnormal. ➔ Stoppen Sie den Motor sofort! | Das Schneidblatt ist verbogen, verschlissen oder gebrochen. | Ersetzen Sie das Schneidblatt durch ein neues. |
| | Das Schneidblatt ist nicht sicher festgezogen. | Ziehen Sie das Schneidblatt fest an. |
| | Das Schneidblatt wurde nicht auf die Führung der Aufnahmescheibe aufgesetzt. | Bauen Sie das Schneidblatt ordnungsgemäß ein. |
| | Das Antriebssystem arbeitet nicht korrekt. | Wenden Sie sich zur Inspektion und Reparatur an Ihr autorisiertes Dolmar-Servicecenter. |
| Das Schneidwerkzeug stoppt nicht. ➔ Stoppen Sie den Motor sofort! | Der Antrieb arbeitet nicht korrekt. | Siehe Bedienungsanleitung zum Antrieb. |

Technische Daten

| | | |
|---|----|-----------------|
| Modell | | PE-CS |
| Abmessungen (L x B x H) | mm | 878 x 131 x 291 |
| Nettogewicht (ohne Schutz und Schneidblatt) | kg | 2,4 |
| Durchmesser Schneidblatt | mm | 203 |
| Übersetzung Getriebe | | 14/29 |

EG-Konformitätserklärung

(Nur für europäische Länder)

Der Unterzeichnende, Rainer Bergfeld, bevollmächtigt durch die Dolmar GmbH, erklärt, dass die Geräte der Marke DOLMAR:

Bezeichnung der Maschine(n): Kantenschneider-Vorsatz

Modell Nr./Typ: PE-CS

Spezifikationen: siehe „Technische Daten“

in Serienfertigung hergestellt wird / werden und

**den folgenden Richtlinien der Europäischen Union genügt/
genügen:**

2006/42/EG

Außerdem werden die Geräte gemäß den folgenden Standards
oder Normen gefertigt:

ISO 11789

Die technische Dokumentation befindet sich bei:

Dolmar GmbH

Jenfelder Straße 38, Abteilung FZ, D-22045 Hamburg

2. 7. 2013



Rainer Bergfeld
Geschäftsführer

Sommario

| | Pagina |
|--|---------------|
| Sommario | 24 |
| Introduzione..... | 24 |
| Simboli | 24 |
| Gruppo di alimentazione approvato..... | 25 |
| Descrizione dei componenti | 25 |
| Misure di sicurezza..... | 25 |
| Montaggio e regolazione | 27 |
| Funzionamento..... | 27 |
| Ispezione e manutenzione..... | 28 |
| Stoccaggio..... | 28 |
| Programma di manutenzione | 29 |
| Risoluzione dei problemi | 29 |
| Dati tecnici..... | 29 |
| Dichiarazione di conformità CE | 30 |

Introduzione

Complimenti per l'acquisto del presente accessorio tagliabordi di Dolmar. L'accessorio è progettato per il montaggio sul gruppo di alimentazione Dolmar citato nelle presenti Istruzioni per l'uso. Prima dell'uso è opportuno leggere il presente opuscolo e le Istruzioni per l'uso del gruppo di alimentazione. In questo modo sarà possibile ottenere i migliori risultati possibili dall'accessorio tagliabordi Dolmar.

Simboli

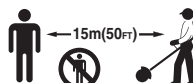
Sull'accessorio e nelle Istruzioni per l'uso sono utilizzati i simboli riportati di seguito. È importante comprendere le definizioni utilizzate.



Prestare particolare cura e attenzione.



Leggere il manuale di istruzioni.



Mantenere l'area di lavoro libera da persone



Indossare una protezione per occhi e orecchie.



Indossare i guanti di protezione.



Indossare calzature rinforzate con soles antiscivolo. Si consigliano scarpe di sicurezza con puntale in metallo.



Vietato



Pronto soccorso

Gruppo di alimentazione approvato

L'accessorio deve essere utilizzato esclusivamente con i gruppi di alimentazione indicati di seguito:

CS-246.4C Utensile multifunzione a benzina

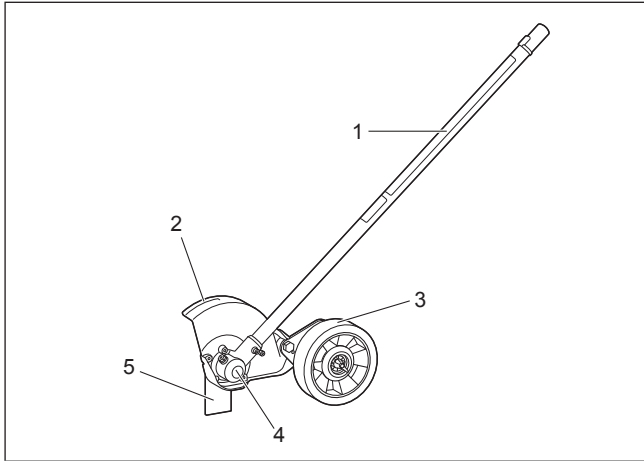
AC-3600, AC-3610

Utensile multifunzione a benzina senza fili

⚠ AVVERTENZA:

Non utilizzare l'accessorio con gruppi di alimentazione non approvati. Una combinazione non approvata può causare gravi infortuni.

Descrizione dei componenti



I numeri riportati di seguito fanno riferimento alla figura.

1. Albero
2. Carter della lama
3. Disco
4. Scatola degli ingranaggi
5. Lama

Misure di sicurezza

⚠ AVVERTENZA:

Leggere tutte le avvertenze di sicurezza e tutte le istruzioni nel presente opuscolo e nelle Istruzioni per l'uso del gruppo di alimentazione. La mancata osservanza delle avvertenze e delle istruzioni può condurre a folgorazioni, incendi e/o gravi infortuni.

Conservare tutte le avvertenze e le istruzioni per consultarle in futuro.

Il termine "tagliabordi" e il termine "utensile" nelle avvertenze e nelle precauzioni fanno riferimento alla combinazione dell'accessorio e del gruppo di alimentazione.

Nelle avvertenze e nelle precauzioni, il termine "motore" fa riferimento al motore del gruppo di alimentazione.

Uso previsto

- Questo utensile è destinato esclusivamente al taglio dei bordi del prato in combinazione con un gruppo di alimentazione approvato. Non utilizzare l'accessorio per altri scopi. Un uso improprio dell'accessorio può causare gravi infortuni.

Precauzioni generali

- Prima di avviare l'utensile, leggere il presente opuscolo e le Istruzioni per l'uso del gruppo di alimentazione per acquisire familiarità con l'uso dell'utensile.
- Non concedere in prestito l'accessorio a una persona priva di esperienza o conoscenze sufficienti in merito all'uso dell'utensile.
- Se l'accessorio viene prestato, è indispensabile consegnare anche le Istruzioni per l'uso.
- Non consentire l'uso dell'utensile alle persone di età inferiore a 18 anni. Tenerli a distanza dall'utensile.
- Maneggiare l'utensile con la massima cura e attenzione.

- Non utilizzare l'utensile dopo l'assunzione di alcol o droghe, oppure se ci si sente stanchi o indisposti.
- L'operatore o l'utilizzatore è responsabile per incidenti o pericoli causati ad altre persone o alle proprietà di queste ultime.
- Non tentare di modificare l'accessorio.
- Attenersi alle normative del proprio paese sull'uso dell'utensile.

Dispositivi di protezione personale

- Indossare il casco, gli occhiali e i guanti di protezione per proteggersi dai detriti scagliati o dagli oggetti in caduta.



- Indossare una protezione acustica (ad esempio delle cuffie isolanti) per prevenire la perdita dell'udito.
- Indossare abbigliamento e calzature adeguate al lavoro, ad esempio una tuta da lavoro e scarpe antinfortunistica con soles antiscivolo. Non indossare capi d'abbigliamento larghi o gioielli. Abiti larghi, gioielli o capelli lunghi potrebbero rimanere impigliati nelle parti in movimento.
- Prima di toccare la lama da taglio, indossare guanti di protezione. Le lame da taglio possono causare tagli profondi sulle mani nude.

Sicurezza dell'area di lavoro

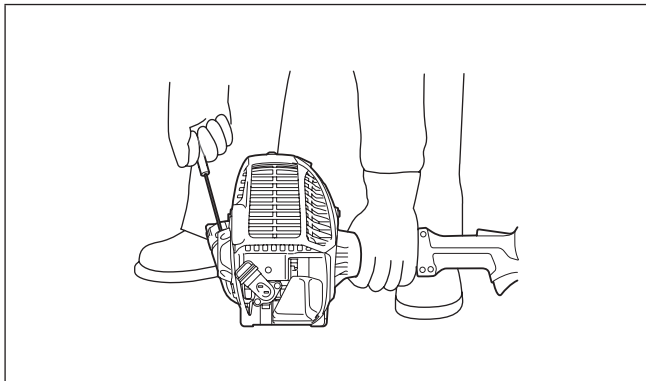
- Utilizzare l'utensile solo in condizioni di buona visibilità diurna. Non utilizzare l'utensile al buio o in presenza di nebbia.
- Avviare il motore solo all'aperto, in una zona ben aerata. L'uso in aree ristrette o con ventilazione limitata può portare alla morte per soffocamento o per avvelenamento da monossido di carbonio.
- Durante le operazioni, non sostare su una superficie instabile o scivolosa né su un pendio ripido. Durante la stagione fredda prestare attenzione al ghiaccio e alla neve e verificare di avere sempre un buon equilibrio.
- Durante l'uso, mantenere le persone e gli animali ad almeno 15 m dall'utensile. Spegnerne il motore non appena si avvicina qualcuno.
- Prima dell'uso, esaminare l'area di lavoro verificando la presenza di pietre o altri oggetti solidi, che potrebbero essere scagliati o provocare pericolosi contraccolpi con gravi infortuni e/o danni alle cose.
- **⚠ AVVERTENZA:** L'utilizzo del prodotto può creare polvere contenente sostanze chimiche in grado di causare patologie respiratorie o di altro tipo. Alcuni esempi di tali sostanze sono i composti presenti in pesticidi, insetticidi, fertilizzanti ed erbicidi. Il rischio di esposizione dipende da quante volte si effettua questo tipo di lavoro. Per ridurre l'esposizione alle sostanze chimiche: lavorare in un'area ben ventilata utilizzando i dispositivi di sicurezza approvati, ad esempio le maschere antipolvere appositamente progettate per filtrare le particelle microscopiche.

Messa in funzione

- Prima di montare o regolare l'utensile, spegnere il motore e staccare la candela o disinserire la batteria.
- Indossare i guanti di protezione prima di maneggiare la lama da taglio.
- Prima di avviare il motore, ispezionare l'utensile alla ricerca di danni, viti o dadi allentati oppure errori di montaggio. Sostituire la lama da taglio se è piegata o danneggiata. Controllare il corretto funzionamento di tutte le leve di comando e di tutti gli interruttori. Pulire e asciugare le impugnature.
- Non tentare di avviare il motore se l'utensile è danneggiato o non è stato montato completamente. In caso contrario potrebbero verificarsi gravi infortuni.
- Regolare la tracolla e l'impugnatura in base alla taglia corporea dell'operatore.

Avviamento del motore

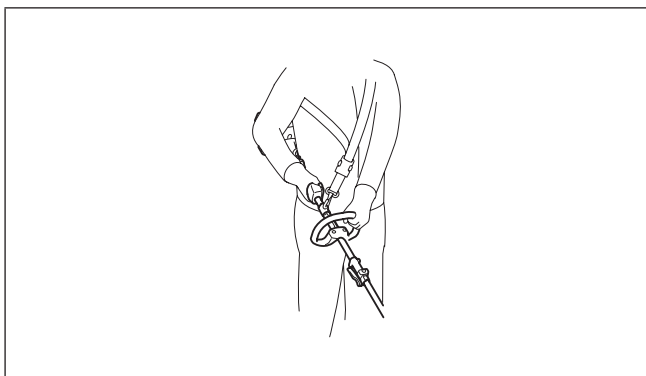
- Indossare i dispositivi di protezione personale prima di avviare il motore.
- Avviare il motore ad almeno 3 metri dal punto di rifornimento.
- Prima di avviare il motore, assicurarsi che non vi siano persone o animali nella zona di lavoro.
- Quando si avvia il motore o si inserisce la batteria, mantenere l'utensile da taglio a distanza dal proprio corpo e da altri oggetti, terreno compreso. Potrebbe ruotare insieme alla lama in fase di avviamento, causando infortuni o danni sia all'utensile che alle altre cose.
- Appoggiare l'utensile a terra. Mantenere un equilibrio stabile e appoggiare correttamente i piedi.
- Tenere saldamente il gruppo di alimentazione contro il terreno con la mano sinistra e tirare la manopola di avviamento. Non calpestare l'albero motore del gruppo di alimentazione.



- Per l'avviamento del motore, attenersi alle Istruzioni per l'uso del gruppo di alimentazione.
- Se l'utensile da taglio ruota quando il motore è al minimo, spegnere il motore e regolare la velocità al minimo.

Funzionamento

- In caso di emergenza, spegnere immediatamente il motore.
- Spegner il motore anche se si rilevano condizioni anomale (ad esempio rumori o vibrazioni) durante l'uso. Non utilizzare l'utensile senza prima individuare e risolvere il problema.
- L'utensile da taglio continua a ruotare per un breve periodo dopo il rilascio dell'interruttore dell'acceleratore o lo spegnimento del motore. Non entrare in contatto con l'utensile da taglio.
- Agganciare la tracolla con il motore in funzione al minimo.
- Utilizzare la tracolla durante l'uso. Mantenere l'utensile ben appoggiato al proprio fianco destro.



- Afferrare l'impugnatura anteriore con la mano sinistra e l'impugnatura posteriore con la mano destra (anche se si è mancini). Avvolgere dita e pollici intorno alle impugnature.
- Non tentare di utilizzare l'utensile con una mano sola. Una perdita di controllo potrebbe causare infortuni gravi o letali. Per ridurre il pericolo di infortuni, mantenere mani e piedi a distanza dall'utensile da taglio.
- Non sporgersi o sbilanciarsi eccessivamente durante l'operazione. Mantenere sempre l'equilibrio e un punto d'appoggio adeguati. Controllare la presenza di ostacoli nascosti, quali ceppi d'albero, radici e fossati, onde evitare di inciampare.
- Non lavorare su scale o alberi onde evitare di perdere il controllo.

- Se l'utensile cade o subisce un impatto violento, verificarne le condizioni prima di proseguire il lavoro. Verificare che l'impianto di alimentazione del carburante sia privo di perdite e che i dispositivi di sicurezza funzionino correttamente. In caso di danni o dubbi, richiedere l'ispezione e la riparazione presso un centro di assistenza autorizzato Dolmar.
- Non toccare la scatola degli ingranaggi. La scatola degli ingranaggi si surriscalda durante il funzionamento.
- Riposarsi spesso per evitare la perdita di controllo causata dall'affaticamento. Si consiglia di fare una pausa di 10-20 minuti ogni ora.
- Se si lascia inutilizzato l'utensile, anche per breve tempo, spegnere sempre il motore o rimuovere la batteria. L'utensile lasciato incustodito con il motore in funzione può essere utilizzato da persone non autorizzate e causare gravi incidenti.
- Per l'uso corretto della leva di comando e dell'interruttore, attenersi alle Istruzioni per l'uso del gruppo di alimentazione.
- Durante o dopo l'uso, non appoggiare l'utensile caldo sull'erba secca o altri materiali combustibili.
- Se tra l'utensile da taglio e la protezione rimangono impigliati dell'erba o dei rami, spegnere il motore e staccare la candela o rimuovere la batteria prima di procedere alla pulizia. In caso contrario, una rotazione involontaria della lama potrebbe causare gravi lesioni personali.
- Se l'utensile da taglio entra in contatto con pietre o altri oggetti duri, spegnere immediatamente il motore e ispezionare l'utensile da taglio.
- Controllare di frequente l'utensile da taglio per verificare la presenza di crepe o danni. Prima dell'ispezione, spegnere il motore e attendere che l'utensile da taglio sia completamente fermo. Sostituire subito l'utensile da taglio danneggiato, anche nel caso di semplici cricche superficiali.
- Non eseguire tagli a un'altezza superiore a quella della vita.
- Prima di iniziare l'operazione di taglio, attendere che l'utensile da taglio abbia raggiunto una velocità costante dopo aver premuto l'interruttore.
- Accertarsi sempre del proprio punto d'appoggio sui terreni in pendenza.
- Camminare, senza correre.
- Prestare particolare attenzione quando si cambia senso di marcia o si avvicina il tagliabordo al proprio corpo.
- Assicurarsi che la lama si sia fermata prima di attraversare superfici non erbose e durante il trasporto del tagliabordo da e verso l'area da tagliare.
- Spegner il motore quando si lascia incustodito il tagliabordo.

Utensili da taglio

- Non utilizzare lame non adatte, ad esempio lame a cerniera in metallo e lame battenti. Potrebbero verificarsi gravi infortuni.
- Utilizzare sempre la protezione più adatta per l'utensile da taglio in uso.

Vibrazione

- Gli operatori che soffrono di insufficienza venosa, se esposti a vibrazioni eccessive, possono riportare danni ai vasi sanguigni o al sistema nervoso. Le vibrazioni possono causare i seguenti sintomi alle dita, alle mani o ai polsi: torpore, formicolio, dolore, fitte acute, alterazione della pelle o del suo colorito. Consultare un medico non appena si manifestano tali sintomi.
- Per ridurre il pericolo del cosiddetto fenomeno di Raynaud è importante mantenere le mani calde durante il lavoro ed effettuare un'adeguata manutenzione dell'utensile e degli accessori.

Trasporto

- Prima di trasportare l'utensile, spegnere il motore e staccare la candela o disinserire la batteria. Rimuovere l'utensile da taglio.
- L'utensile deve essere trasportato in posizione orizzontale, afferrandolo per l'albero. Mantenere la marmitta calda a distanza dal proprio corpo.
- Fissare correttamente l'utensile trasportato in un veicolo per evitare che si rovesci. Diversamente, potrebbero verificarsi fuoriuscite di carburante con conseguenti danni all'utensile e agli altri bagagli.


Manutenzione

- L'utensile deve essere riparato esclusivamente da un centro assistenza autorizzato con l'uso di ricambi originali. Operazioni improprie di riparazione e manutenzione possono ridurre la durata dell'utensile e aumentare il pericolo di incidenti.
- Prima di effettuare operazioni di manutenzione, riparazione o pulizia dell'utensile, spegnere sempre il motore e staccare la candela o disinserire la batteria. Attendere quindi il raffreddamento del motore.
- Per ridurre il pericolo di incendio, non effettuare la manutenzione dell'utensile in prossimità di fiamme libere.
- Indossare sempre i guanti di protezione per maneggiare la lama da taglio.
- Rimuovere sempre la polvere e la sporcizia dall'utensile. Evitare l'uso di benzina, diluenti, solventi, alcol o sostanze simili a scopo di pulizia. In caso contrario, potrebbero verificarsi scoloriture, deformazioni o fessurazioni dei componenti in plastica.
- Dopo ogni uso, serrare tutte le viti e i dadi, tranne la vite di regolazione del carburatore.
- Non tentare di effettuare operazioni di manutenzione o riparazione diverse da quelle descritte nel presente opuscolo e nelle Istruzioni per l'uso del gruppo di alimentazione. Rivolgersi al centro di assistenza autorizzato Dolmar per tali operazioni.
- Utilizzare esclusivamente ricambi e accessori Dolmar originali. L'uso di componenti o accessori forniti da terzi può condurre a guasti dell'utensile, danni alle cose e/o gravi infortuni.
- Richiedere al centro di assistenza autorizzato Dolmar di ispezionare l'utensile e di effettuare la manutenzione a intervalli regolari.

Stoccaggio

- Prima di riporre l'utensile è necessario effettuare la pulizia e la manutenzione. Staccare la candela o disinserire la batteria. Scaricare il carburante una volta che il motore si è raffreddato. Rimuovere l'utensile da taglio.
- Se fosse necessario svuotare il serbatoio di carburante, svolgere l'operazione all'aperto.
- Riporre l'utensile in un luogo asciutto e in posizione elevata o sottochiave, fuori dalla portata dei bambini.
- Non appoggiare l'utensile ad altri oggetti, ad esempio una parete. Potrebbe cadere improvvisamente provocando infortuni.

Pronto soccorso

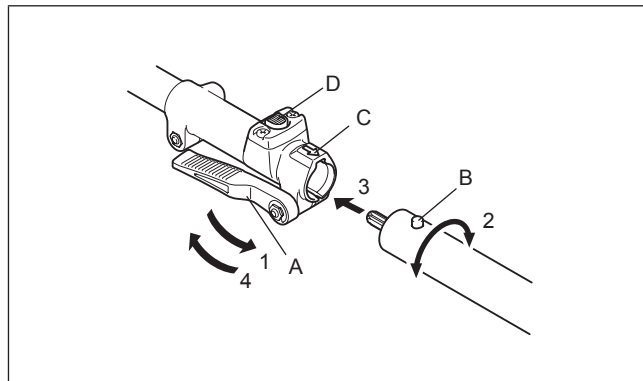
-  Tenere sempre a portata di mano una cassetta di pronto soccorso. Sostituire immediatamente qualunque articolo prelevato dalla cassetta di pronto soccorso.
- Nel momento in cui si richiede assistenza è indispensabile fornire le seguenti informazioni:
 - Luogo dell'incidente
 - Che cosa è accaduto
 - Numero delle persone ferite
 - Natura dell'infortunio
 - Nome e cognome

Montaggio e regolazione

AVVERTENZA:

- Prima di montare o regolare l'utensile, spegnere il motore e staccare la candela o disinserire la batteria. In caso contrario, l'utensile da taglio o altri componenti potrebbero muoversi, causando gravi infortuni.
- Prima di maneggiare la lama da taglio, indossare i guanti di protezione. Durante il montaggio o la regolazione, le dita possono entrare a contatto con la lama da taglio, con eventuale rischio di gravi infortuni.
- Appoggiare sempre l'utensile in posizione orizzontale per effettuare il montaggio o la regolazione. Il montaggio o la regolazione in posizione verticale potrebbero causare gravi infortuni.
- Attenersi alle avvertenze e alle precauzioni nel capitolo "Misure di sicurezza" e alle Istruzioni per l'uso del gruppo di alimentazione.

Montaggio dell'accessorio su un gruppo di alimentazione

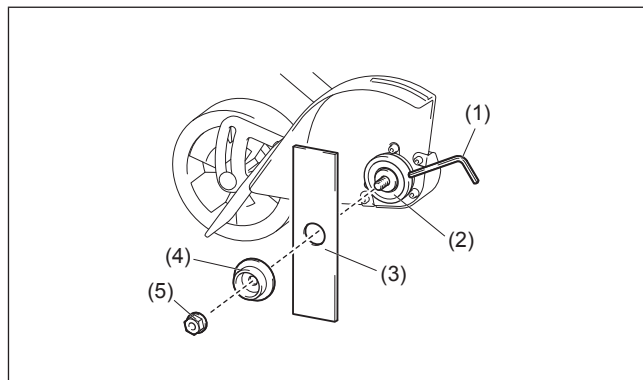


Attenersi ai passaggi riportati di seguito per montare l'accessorio su un gruppo di alimentazione.

1. Assicurarsi che la leva di bloccaggio (A) non sia serrata.
2. Allineare il perno (B) con la freccia (C).
3. Inserire l'albero nell'albero motore del gruppo di alimentazione finché il pulsante di sblocco (D) non si solleva.
4. Serrare la leva di bloccaggio (A) come mostrato nella figura. Per rimuovere l'accessorio, allentare la leva di bloccaggio, premere il pulsante di blocco ed estrarre l'albero.

AVVISO: Non serrare la leva di bloccaggio (A) senza aver prima inserito l'albero dell'accessorio. In caso contrario la leva di bloccaggio potrebbe serrare eccessivamente l'ingresso dell'albero motore e danneggiarlo.

Installazione e rimozione della lama



1. Ruotare la rondella ricevente (2) in modo che il foro sulla rondella stessa sia allineato al foro sulla scatola degli ingranaggi.
2. Inserire la chiave esagonale (1) nei fori. Assicurarsi che la rondella ricevente non ruoti.
3. Tenendo ferma la chiave esagonale, ruotare il dado (5) in senso orario utilizzando una chiave a tubo.
4. Rimuovere il dado e il morsetto (4).
5. Inserire la lama (3).
6. Riapplicare il morsetto e il dado.
7. Tenendo ferma la chiave esagonale, ruotare il dado in senso antiorario per fissare la lama.

Per rimuovere la lama, eseguire i passaggi precedenti in senso inverso.

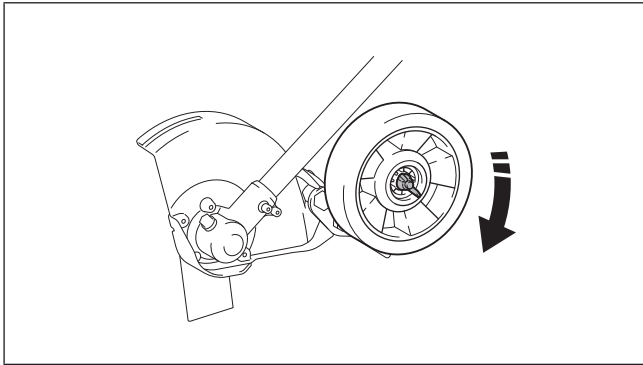
NOTA: Il dado di fissaggio della lama da taglio (dotato di rondella elastica) si usura con il tempo. Sostituirlo non appena sul dado compaiono segni di usura o deformazione.

Funzionamento

AVVERTENZA:

- Se l'utensile da taglio si muove quando il motore è al minimo, regolare la velocità al minimo. In caso contrario non sarà possibile arrestare l'utensile da taglio rilasciando l'acceleratore, con eventuale rischio di gravi infortuni.
- Attenersi alle avvertenze e alle precauzioni nel capitolo "Misure di sicurezza" e alle Istruzioni per l'uso del gruppo di alimentazione.

Regolazione della profondità della lama



- Allentare il dado sul disco.
- Muovere il disco e regolare l'altezza in base all'operazione, quindi serrare il dado.

Suggerimenti per l'uso

- Prima di tagliare i bordi, innaffiare la zona per ammorbidire il terreno e facilitare la rasatura.
- Prima di tagliare i bordi, controllare l'area e rimuovere tutti gli ostacoli e gli oggetti che potrebbero essere scagliati.
- Pianificare il taglio periodico dei bordi in modo da facilitare la manutenzione e da evitare la necessità di più passaggi.

NOTA:

La profondità della lama potrebbe dover essere regolata per ragioni legate a differenze di altezza tra la superficie dura e la parte superiore dell'erba.

- Regolare la profondità di taglio delle lame per ottenere un taglio preciso tra il marciapiede e l'erba utilizzando una profondità della lama minima, generalmente con 13 mm (1/2") circa della lama nel terreno.

Ispezione e manutenzione

⚠ AVVERTENZA:

- Prima di ispezionare l'utensile o di effettuare la manutenzione, spegnere il motore e staccare la candela o disinserire la batteria. In caso contrario, l'utensile da taglio o altri componenti potrebbero muoversi, causando gravi infortuni.
- Appoggiare sempre l'utensile in posizione orizzontale per effettuare l'ispezione o la manutenzione. Il montaggio o la regolazione in posizione verticale potrebbero causare gravi infortuni.
- Attenersi alle avvertenze e alle precauzioni nel capitolo "Misure di sicurezza" e alle Istruzioni per l'uso del gruppo di alimentazione.

Affilatura dell'utensile da taglio

⚠ AVVERTENZA:

Non affilare da soli le lame da taglio. L'affilatura manuale sbilancia la lama da taglio e può causare vibrazioni e danni all'utensile.

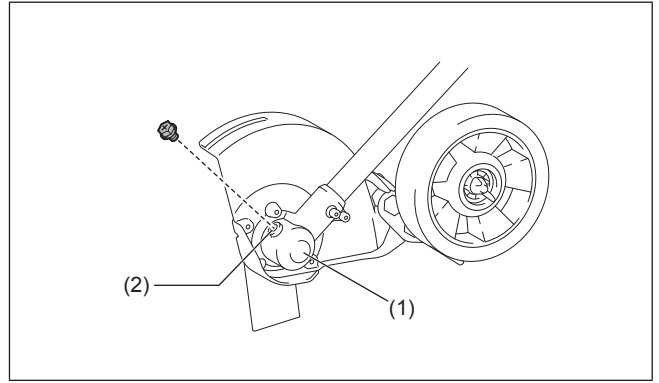
Richiedere l'affilatura e il bilanciamento delle lame da taglio smussate al centro di assistenza autorizzato Dolmar.

Lubrificazione delle parti in movimento

AVVISO: Attenersi alle istruzioni per conoscere la frequenza e la quantità di grasso da utilizzare. In caso contrario, una lubrificazione insufficiente potrebbe danneggiare le parti in movimento.

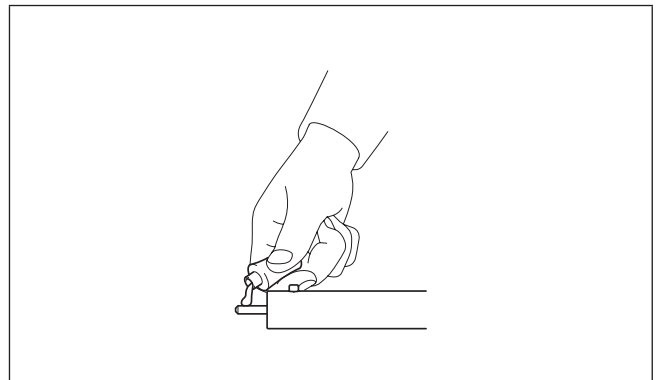
Scatola degli ingranaggi:

Ingrassare la scatola degli ingranaggi (1) inserendo grasso (Shell Alvania 2 o equivalente) nell'apposito foro (2) ogni 30 ore di funzionamento. (Il grasso Dolmar originale può essere acquistato presso il rivenditore Dolmar di zona.)



Assale di trasmissione:

Applicare il grasso (Shell Alvania n. 2 o equivalente) ogni 30 ore di funzionamento.



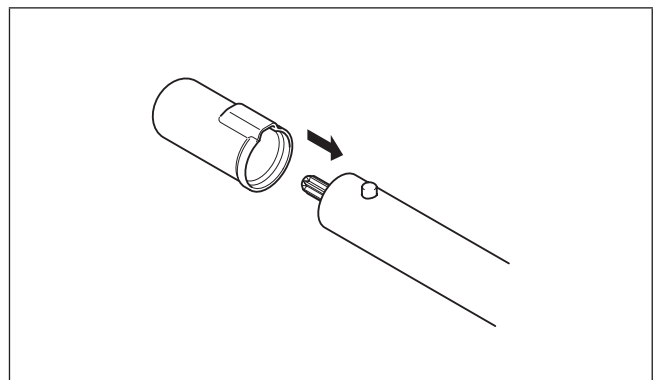
Ispezione generale

- Serrare bulloni, dadi e viti allentati.
- Ricerare eventuali componenti danneggiati. Rivolgersi al centro di assistenza autorizzato Dolmar per la sostituzione.

Stoccaggio

⚠ AVVERTENZA:

Attenersi alle avvertenze e alle precauzioni nel capitolo "Misure di sicurezza" e alle Istruzioni per l'uso del gruppo di alimentazione.



Se l'accessorio tagliabordi viene riposto separatamente dal gruppo di alimentazione, applicare il tappo all'estremità dell'albero.

Programma di manutenzione

| Ore di servizio | | Prima dell'uso | Quotidiano (10 ore) | 30 ore | Se necessario | Pagina corrispondente |
|--------------------------|--|----------------|---------------------|--------|---------------|-----------------------|
| Intera unità | Ispezionare a occhio nudo | ○ | | | | 28 |
| Viti e dadi di fissaggio | Serrare | ○ | | | | 28 |
| Scatola degli ingranaggi | Ingrassare | | | ○ | | 28 |
| Assale di trasmissione | Ingrassare | | | ○ | | 28 |
| Lama da taglio | Ispezionare a occhio nudo | ○ | ○ | | | 28 |
| Gruppo di alimentazione | Consultare le Istruzioni per l'uso del gruppo di alimentazione | | | | | |

Risoluzione dei problemi

| Problema | Causa probabile | Soluzione |
|---|--|--|
| Il motore non si avvia. | Consultare il manuale di istruzioni del gruppo di alimentazione. | |
| Il motore si spegne subito dopo l'avviamento. | | |
| La velocità massima è limitata. | | |
| L'utensile da taglio non ruota. → Spegnere immediatamente il motore. | La lama da taglio non è ben serrata. | Serrare saldamente la lama da taglio. |
| | Un ramoscello è impigliato tra la lama da taglio e il dispositivo di protezione. | Rimuovere il corpo estraneo. |
| | Il sistema di comando non funziona correttamente. | Richiedere l'ispezione e la riparazione presso il centro di assistenza autorizzato Dolmar. |
| L'unità vibra in modo anomalo. → Spegnere immediatamente il motore. | La lama da taglio è piegata, usurata o rotta. | Sostituire la lama da taglio. |
| | La lama da taglio non è ben serrata. | Serrare saldamente la lama da taglio. |
| | La lama da taglio non è inserita sulla rondella ricevente. | Installare la lama da taglio correttamente. |
| | Il sistema di comando non funziona correttamente. | Richiedere l'ispezione e la riparazione presso il centro di assistenza autorizzato Dolmar. |
| L'utensile da taglio non si ferma. → Spegnere immediatamente il motore. | Il gruppo di alimentazione non funziona correttamente. | Consultare il manuale di istruzioni del gruppo di alimentazione. |

Dati tecnici

| | | |
|---|----|-----------------|
| Modello | | PE-CS |
| Dimensioni (L × A × P) | mm | 878 × 131 × 291 |
| Peso netto (esclusi dispositivo di protezione e lama) | kg | 2,4 |
| Diametro lama da taglio | mm | 203 |
| Rapporto di trasmissione | | 14/29 |

Dichiarazione di conformità CE

(solo per i paesi europei)

Il sottoscritto Rainer Bergfeld, debitamente autorizzato da Dolmar GmbH, dichiara che gli utensili DOLMAR:

Denominazione dell'utensile: Accessorio tagliabordi

Modello num./ Tipo: PE-CS

Specifiche: Vedere "Dati tecnici"

appartengono ad una produzione in serie e sono

conformi alle seguenti direttive europee:

2006/42/EC

Sono inoltre prodotte in conformità con gli standard o i documenti standardizzati riportati di seguito:

ISO 11789

La documentazione tecnica viene conservata presso:

Dolmar GmbH

Jenfelder Straße 38, Abteilung FZ, D-22045 Hamburg

2. 7. 2013



Rainer Bergfeld
Direttore responsabile

Inhoud

| | Pagina |
|--------------------------------------|---------------|
| Inhoud..... | 31 |
| Voorwoord | 31 |
| Symbolen | 31 |
| Goedgekeurd aandrijfsysteem..... | 32 |
| Beschrijving van de onderdelen | 32 |
| Veiligheidsvoorzorgsmaatregelen..... | 32 |
| Bevestigen en instellen..... | 34 |
| Bediening..... | 35 |
| Inspectie en onderhoud | 35 |
| Opslag | 36 |
| Onderhoudsschema | 37 |
| Problemen oplossen..... | 37 |
| Technische gegevens | 37 |
| EU-verklaring van conformiteit | 38 |

Voorwoord

Hartelijk dank voor uw aankoop van dit grasrandsnijhulpstuk van Dolmar. Dit hulpstuk is bedoeld om te worden bevestigd aan het aandrijfsysteem van Dolmar dat in deze gebruiksaanwijzing wordt genoemd.

Lees voor gebruik deze gebruiksaanwijzing en de gebruiksaanwijzing van uw aandrijfsysteem aandachtig door. Hierdoor bent u in staat de best mogelijke resultaten te behalen die het grasrandsnijhulpstuk van Dolmar u kan bieden.

Symbolen

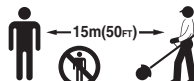
Hieronder staan de symbolen die op het hulpstuk en in deze gebruiksaanwijzing worden gebruikt. U dient de betekenis ervan te kennen.



Besteed bijzondere zorg en aandacht.



Lees de gebruiksaanwijzing.



Houd mensen weg van het werkgebied



Draag oog- en gehoorbescherming.



Draag veiligheidshandschoenen.



Draag stevige schoenen met antislipzolen. Veiligheidsschoenen met stalen neuzen worden aanbevolen.



Verboden!



EHBO

Goedgekeurd aandrijfsysteem

Dit hulpstuk is alleen goedgekeurd voor gebruik met het volgende aandrijfsysteem:

CS-246.4C Multifunctioneel aandrijfsysteem

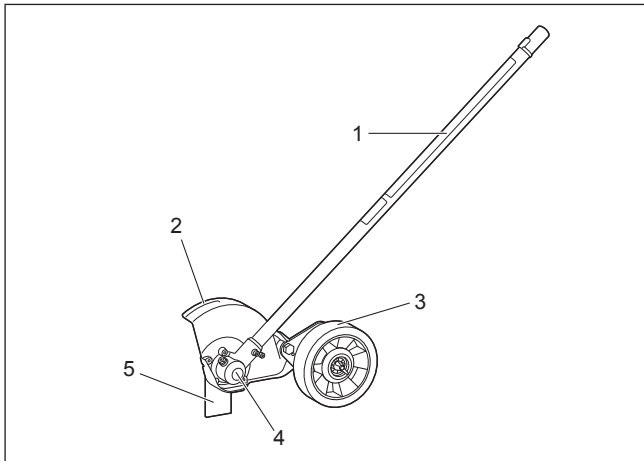
AC-3600, AC-3610

Multifunctioneel accuaandrijfsysteem

⚠ WAARSCHUWING:

Gebruik het hulpstuk nooit met een niet-goedgekeurd aandrijfsysteem. Een niet-goedgekeurde combinatie van hulpstuk en aandrijfsysteem kan tot ernstig letsel leiden.

Beschrijving van de onderdelen



De onderstaande nummers verwijzen naar de afbeelding.

1. As
2. Snijbladhuis
3. Wiel
4. Tandwielhuis
5. Snijblad

Veiligheidsvoorzorgsmaatregelen

⚠ WAARSCHUWING:

Lees alle veiligheidswaarschuwingen en alle instructies in deze gebruiksaanwijzing en in de gebruiksaanwijzing van het aandrijfsysteem. Het niet volgen van de waarschuwingen en instructies kan leiden tot elektrische schokken, brand en/of ernstig letsel.

Bewaar alle waarschuwingen en instructies om in de toekomst te kunnen raadplegen.

De termen "grasrandsnijder" en "gereedschap" in de waarschuwingen en voorzorgsmaatregelen verwijzen naar de combinatie van het hulpstuk en het aandrijfsysteem. De term "motor" in de waarschuwingen en voorzorgsmaatregelen verwijst naar de benzinemotor of elektromotor van het aandrijfsysteem.

Gebruiksdoeleinden

- Dit gereedschap is uitsluitend bedoeld voor het snijden van grasranden in combinatie met een goedgekeurd aandrijfsysteem. Gebruik het hulpstuk nooit voor enig ander doel. Misbruik van het hulpstuk kan leiden tot ernstig letsel.

Algemene voorzorgsmaatregelen

- Alvorens het gereedschap te starten, leest u deze gebruiksaanwijzing en de gebruiksaanwijzing van het aandrijfsysteem om u bekend te maken met de juiste manier van omgaan met het gereedschap.
- Leen het hulpstuk niet uit aan een persoon met onvoldoende ervaring met of kennis van het omgaan met het gereedschap.
- Wanneer u het hulpstuk uitleent, geeft u altijd deze gebruiksaanwijzing erbij.

- Sta niet toe dat kinderen of jonge mensen die jonger zijn dan 18 jaar het gereedschap gebruiken. Houd hen uit de buurt van het gereedschap.
- Hanteer het gereedschap met de hoogstmogelijke zorg en aandacht.
- Gebruik het gereedschap nooit na het gebruik van alcohol of drugs, of wanneer u zich moe of ziek voelt.
- Denk eraan dat de gebruiker aansprakelijk is voor ongevallen en onvoorziene gebeurtenissen die personen of hun eigendommen kunnen overkomen.
- Probeer nooit het hulpstuk te wijzigen.
- Houd u aan de regelgeving zoals die in uw land geldt voor het hanteren van het gereedschap.

Persoonlijke-veiligheidsuitrusting

- Draag een veiligheidshelm, veiligheidsbril en veiligheidshandschoenen om uzelf te beschermen tegen rondvliegend afval en vallende voorwerpen.



- Draag gehoorbescherming, zoals oorbeschermers, om gehoorschade te voorkomen.
- Draag geschikte kleding en schoenen waarmee veilig kan worden gewerkt, zoals een werkoverall en stevige schoenen met antislipzolen. Draag geen losse kleding of sieraden. Loshangende kleding, sieraden en lang haar kunnen verstrikt raken in bewegende delen.
- Trek veiligheidshandschoenen aan voordat u het snijblad aanraakt. Een snijblad kan flinke snijwonden veroorzaken in blote handen.

Veiligheid op de werkplek

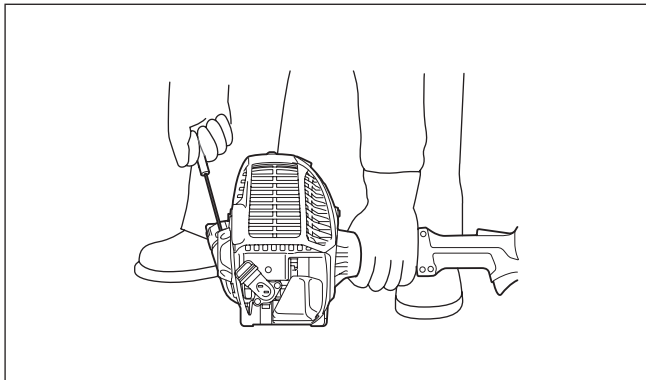
- Bedien het gereedschap alleen bij goed zicht en daglicht. Bedien het gereedschap niet in het donker of in mist.
- Start en bedien de motor alleen buitenshuis op een goed geventileerde plaats. Gebruik in een gesloten ruimte of op een slecht geventileerde plaats kan leiden tot de dood als gevolg van verstikking of koolmonoxidevergiftiging.
- Tijdens gebruik mag u nooit op een instabiele of gladde ondergrond of op een steile helling staan. Let in de winter op ijs en sneeuw, en zorg er altijd voor dat u stevig staat.
- Houd tijdens gebruik omstanders en dieren ten minste 15 meter uit de buurt van het gereedschap. Zet de motor uit zodra iemand dichterbij komt.
- Onderzoek het werkgebied op stenen en andere massieve voorwerpen voordat u met de werkzaamheden begint. Deze kunnen worden opgeworpen of terugslag veroorzaken en leden tot ernstig letsel en/of materiële schade.
- ⚠ WAARSCHUWING: Het gebruik van dit gereedschap kan stof opwerpen waarin chemische bestanddelen kunnen zitten die ziekten aan de luchtwegen of andere ziekten kunnen veroorzaken. Enkele voorbeelden van deze chemische bestanddelen zijn verbindingen die gevonden worden in pesticiden, insecticiden, meststoffen en herbiciden. Uw risico van deze blootstellingen varieert en hangt af van hoe vaak u dit soort bewerkingen uitvoert. Om blootstelling aan deze chemische bestanddelen te verminderen: moeten de werkzaamheden uitgevoerd worden in een goed geventileerde werkomgeving en gebruikmakend van goedgekeurde veiligheidsmiddelen, zoals stofmaskers die ontworpen zijn om microscopisch kleine deeltjes te filteren.

In gebruik nemen

- Alvorens het gereedschap te monteren of af te stellen, zet u de motor uit en trekt u de bougiekap eraf of verwijdert u de accu.
- Trek veiligheidshandschoenen aan voordat u het snijblad hanteert.
- Voordat u de motor start, inspecteert u het gereedschap op beschadigingen, losse bouten/moeren en verkeerde montage. Als het snijblad verbogen of beschadigd is, vervangt u hem. Controleer of alle bedieningshendels en -schakelaars gemakkelijk kunnen worden bediend. Maak de handgrepen schoon en droog.
- Probeer nooit de motor te starten als het gereedschap beschadigd is of nog niet volledig gemonteerd is. Als u zich hier niet aan houdt, kan ernstig letsel ontstaan.
- Stel het schouderdraagstel en de handgreep af op de lichaamsgrootte van de gebruiker.

De motor starten

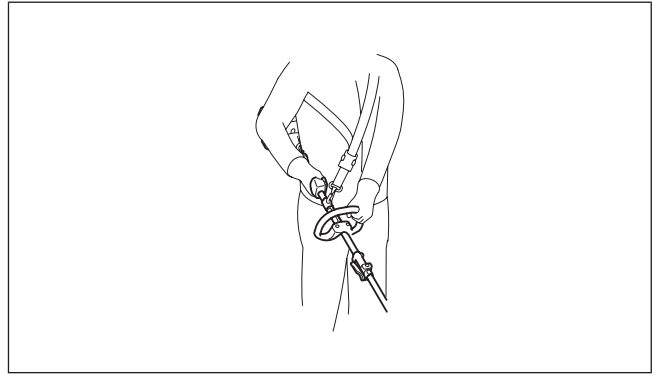
- Trek de persoonlijke veiligheidsuitrusting aan voordat u de motor start.
- Start de motor op ten minste 3 meter afstand van de plaats waar u brandstof hebt bijgevoeld.
- Voordat u de motor start controleert u of zich geen personen of dieren binnen het werkgebied bevinden.
- Wanneer u de motor start of een accu aanbrengt, controleert u dat het snijgarnituur uw lichaam en andere voorwerpen, zoals de grond, niet raakt. Het kan bij het starten gaan draaien en persoonlijk letsel, schade aan het gereedschap en/of materiële schade veroorzaken.
- Zet het gereedschap op een stevige plaats op de grond. Zorg ervoor dat u een goede balans hebt en dat u stevig staat.
- Houd het aandrijfsysteem met uw linkerhand stevig tegen de grond gedrukt en trek aan de trekstarthandgreep. Ga nooit op de aandrijfas van het aandrijfsysteem staan.



- Raadpleeg de gebruiksaanwijzing van het aandrijfsysteem voor het starten van de motor.
- Als het snijgarnituur bij stationair toerental ronddraaien, zet u de motor uit en verlaagt u het stationair toerental.

Bediening

- In geval van nood zet u de motor onmiddellijk uit.
- Als u tijdens gebruik een ongebruikelijke situatie opmerkt (bijv. geluid, trillingen), zet u de motor uit. Gebruik het gereedschap niet meer totdat de oorzaak is opgespoord en verholpen.
- Het snijgarnituur blijft gedurende een korte tijd doordraaien nadat de gashendel van de motor is losgelaten. Raak het snijgarnituur niet onmiddellijk aan.
- Terwijl de motor slechts stationair loopt, maakt u het gereedschap vast aan het schouderdraagstel.
- Gebruik tijdens het werk het schouderdraagstel. Houd het gereedschap stevig tegen uw rechterzij.



- Houd de voorhandgreep met uw linkerhand vast, en houd de achterhandgreep met uw rechterhand vast, ongeacht of u links- of rechtshandig bent. Vouw uw vingers en duimen om de handgrepen.
- Probeer nooit het gereedschap met één hand te bedienen. Als u de controle over het gereedschap verliest, kan dat leiden tot ernstig of fataal letsel. Om de kans op verwonding te verkleinen, houdt u uw handen en voeten uit de buurt van het snijgarnituur.
- Reik niet te ver. Zorg altijd voor een stevige stand en goede lichaamsbalans. Kijk uit voor verborgen obstakels, zoals boomstronken, boomwortels en greppels, om te voorkomen dat u valt.
- Werk nooit op een ladder of in een boom om te voorkomen dat u de controle over het gereedschap verliest.
- Nadat tegen het gereedschap is gestoten of het is gevallen, controleert u de conditie van het gereedschap voordat u de werkzaamheden hervat. Controleer het brandstofsysteem op brandstoflekkage, en de bedieningselementen en veiligheidsvoorzieningen op een juiste werking. Als enige beschadiging zichtbaar is of u twijfelt, vraagt u een erkend Dolmar-servicecentrum om inspectie en reparatie.
- Raak het tandwielhuis niet aan. Het tandwielhuis wordt tijdens gebruik erg warm.
- Neem een pauze om te voorkomen dat u door vermoeidheid de controle over het gereedschap verliest. Wij adviseren u ieder uur 10 tot 20 minuten te rusten.
- Wanneer u het gereedschap achterlaat, al is het maar even, zet u altijd de motor uit of verwijdert u de accu. Een onbeheerd gereedschap met een draaiende motor kan door onbevoegden worden gebruikt en tot een ernstig ongeval leiden.
- Raadpleeg de gebruiksaanwijzing van het aandrijfsysteem voor het juiste gebruik van de gashendel en vergrendelingsknop.
- Leg tijdens of na gebruik het warme gereedschap niet op droog gras of brandbare materialen.
- Als gras of takken bekneld raken tussen het snijgarnituur en de beschermkap, zet u altijd de motor uit en trekt u de bougiekap eraf of verwijdert u de accu voordat u ze verwijdert. Anders kan door onbedoeld draaien van het snijblad ernstig letsel ontstaan.
- Als het snijgarnituur stenen of andere harde voorwerpen raakt, moet u de motor onmiddellijk uitschakelen en het snijgarnituur controleren.
- Controleer het snijgarnituur tijdens bedrijf veelvuldig op barsten of beschadigingen. Voordat u inspecteert, zet u de motor uit en wacht u tot het snijgarnituur volledig tot stilstand is gekomen. Vervang een beschadigd snijgarnituur onmiddellijk, ook wanneer het slechts oppervlakkige barsten vertoont.
- Werk nooit boven heuphoogte.
- Nadat u de aan-uitschakelaar hebt ingeknepen, wacht u tot het snijgarnituur een constant toerental heeft bereikt alvorens het maaien te starten.
- Zorg er op een helling altijd voor dat u stevig staat.
- Loop rustig, nooit te snel.
- Pas goed op als u achteruit loopt of de grasrandsnijder naar u toetrekt.
- Controleer of het snijblad stilstaat voordat u een oppervlak oversteekt waar geen gras groeit, en bij het vervoeren van de grasrandsnijder naar en van een te maaien gedeelte.
- Zet de motor uit elke keer wanneer u de grasrandsnijder achterlaat.

Snijgarnituren

- Gebruik nooit verkeerde snijbladen, waaronder metalen meerdelige kettingen en vlegelmessen. Dit kan leiden tot ernstig letsel.
- Gebruik altijd de beschermkap van het snijgarnituur die geschikt is voor het snijgarnituur dat u gebruikt.

Trillingen

- Personen met een slechte bloedsomloop die worden blootgesteld aan sterke trillingen, kunnen verwondingen aan bloedvaten of het zenuwstelsel oplopen. Trillingen kunnen de volgende symptomen veroorzaken in de vingers, handen of polsen: "slapen" (ongevoeligheid), tintelingen, pijn, stekend gevoel, veranderen van huidskleur of van de huid. Als een van deze symptomen zich voordoet, raadpleegt u een dokter!
- Om de kans op deze "witte-vingerziekte" te verkleinen, houdt u uw handen warm tijdens het werk en onderhoudt u het gereedschap en de accessoires goed.

Vervoeren

- Alvorens het gereedschap te vervoeren, zet u de motor uit en trekt u de bougiekap eraf of verwijdert u de accu. Verwijder het snijgarnituur.
- Wanneer u het gereedschap vervoert, draagt u het horizontaal door de aandrijfas vast te pakken. Houd de hete uitlaatdemper uit de buurt van uw lichaam.
- Wanneer u het gereedschap in een voertuig vervoert, zet u het goed vast om te voorkomen dat het omvalt. Als u dat niet doet, kan brandstof gemorst worden en kan het gereedschap en andere bagage beschadigd worden.


Onderhoud

- Laat uw gereedschap onderhouden door ons erkende servicecentrum dat altijd uitsluitend gebruikmaakt van originele vervangingsonderdelen. Onjuiste reparatie en slecht onderhoud kan de levensduur van het gereedschap verkorten en de kans op ongevallen vergroten.
- Voordat u enige onderhouds-, reparatie- of schoonmaakwerkzaamheden uitvoert aan het gereedschap, zet u altijd de motor uit en trekt u de bougiekap eraf of verwijdert u de accu. Wacht totdat de motor is afgekoeld.
- Om de kans op brand te verkleinen, mag u nooit onderhouds- of reparatiewerkzaamheden uitvoeren in de buurt van een vuur.
- Draag altijd veiligheidshandschoenen wanneer u het snijblad hanteert.
- Verwijder altijd stof en vuil vanaf het gereedschap. Gebruik voor dit doel nooit benzine, wasbenzine, thinner, alcohol, enz. Dit kan leiden tot verkleuren, vervormen of barsten van de kunststofdelen.
- Draai na gebruik alle bouten en moeren vast, uitgezonderd de stelschroeven van de carburateur.
- Probeer geen onderhoud of reparatie uit te voeren die niet in deze gebruiksaanwijzing of de gebruiksaanwijzing van het aandrijfsysteem wordt beschreven. Vraag een erkend Dolmar-servicecentrum om dergelijke werkzaamheden uit te voeren.
- Gebruik altijd uitsluitend originele vervangingsonderdelen en accessoires van Dolmar. Als u onderdelen of accessoires van derden gebruikt, kan het gereedschap defect raken, eigendommen worden beschadigd en/of ernstig letsel worden veroorzaakt.
- Verzoek regelmatig een erkend Dolmar-servicecentrum om het gereedschap te inspecteren en onderhouden.

Opslag

- Alvorens het gereedschap op te slaan, voert u alle reinigings- en onderhoudswerkzaamheden uit. Trek de bougiekap eraf of verwijder de accu. Tap de brandstof af nadat de motor afgekoeld is. Verwijder het snijgarnituur.
- Als de brandstoftank moet worden geleegd, doet u dit in de open lucht.
- Berg het gereedschap op een droge en hoge of afgesloten plaats op, buiten bereik van kinderen.
- Laat het gereedschap nooit ergens tegenaan leunen, zoals tegen een muur. Anders kan deze plotseling omvallen en letsel veroorzaken.

EHBO

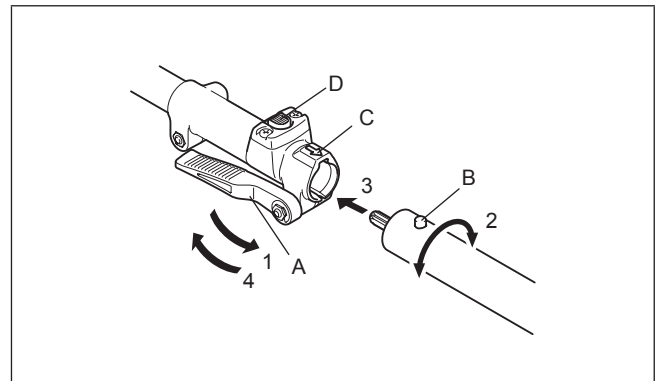
-  Zorg dat er altijd een EHBO-doos in de buurt is. Vervang onmiddellijk elk item dat uit de EHBO-doos is genomen.
- Geef de volgende informatie wanneer u om hulp vraagt:
 - Plaats van het ongeval
 - Beschrijving van het ongeval
 - Aantal gewonden
 - Aard van de verwondingen
 - Uw naam

Bevestigen en instellen

⚠ WAARSCHUWING:

- Alvorens het gereedschap te monteren of af te stellen, zet u de motor uit en trekt u de bougiekap eraf of verwijdert u de accu. Als u dat niet doet, kan het snijgarnituur of andere onderdelen gaan ronddraaien en ernstig letsel veroorzaken.
- Trek veiligheidshandschoenen aan voordat u het snijblad hanteert. Tijdens het monteren of afstellen kunnen uw vingers het snijblad raken waardoor ernstig letsel kan worden veroorzaakt.
- Leg het gereedschap altijd op de grond wanneer u het monteert of instelt. Als u het gereedschap monteert of instelt terwijl het rechtop staat, kan ernstig letsel worden veroorzaakt.
- Volg de waarschuwingen en veiligheidsvoorzorgsmaatregelen in het hoofdstuk "Veiligheidsvoorzorgsmaatregelen" op en raadpleeg de gebruiksaanwijzing van het aandrijfsysteem.

Het hulpstuk aan een aandrijfsysteem bevestigen

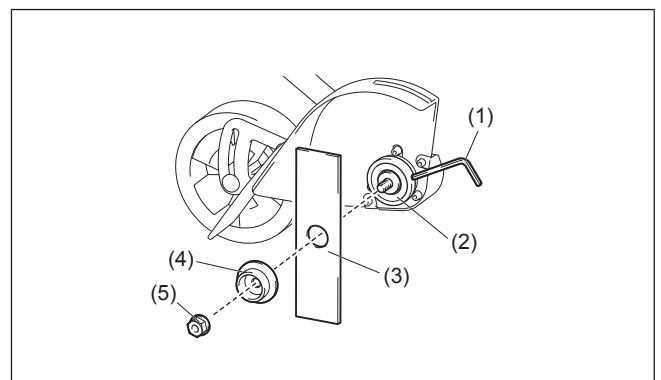


Om het hulpstuk aan een aandrijfsysteem te bevestigen, volgt u de onderstaande stappen.

1. Zorg ervoor dat de vergrendelhendel (A) niet omlaag staat.
 2. Lijn de pen (B) uit met de pijlmarkering (C).
 3. Steek de as van het hulpstuk in de aandrijfas van het aandrijfsysteem tot de ontgrendelknop (D) omhoog komt.
 4. Zet de vergrendelhendel (A) stevig omlaag, zoals afgebeeld.
- Om het hulpstuk te verwijderen, zet u de vergrendelhendel omhoog, drukt u de vergrendelknop in en trekt u de as eruit.

KENNISGEVING: Zet de vergrendelhendel (A) niet omlaag zonder dat de as van het hulpstuk erin is gestoken. Als u dit doet, kan de vergrendelhendel de ingang voor de aandrijfas te ver dichtknijpen en beschadigen.

Het snijblad aanbrengen en verwijderen



1. Draai de ontvangerring (2) zodat het gat in de ontvangerring is uitgelijnd met het gat in het tandwielhuis.
2. Steek de inbussleutel (1) door het gat. Zorg ervoor dat de ontvangerring niet draait.
3. Houd de inbussleutel vast en draai de moer (5) rechtsom met behulp van een dopsleutel.
4. Verwijder de moer en de klembus (4).
5. Plaats het snijblad (3).
6. Zet de klembus en de moer terug.
7. Houd de inbussleutel vast, draai de moer linksom om het snijblad vast te zetten.

Om het snijblad te verwijderen, voert u de bovenstaande stappen in omgekeerde volgorde uit.

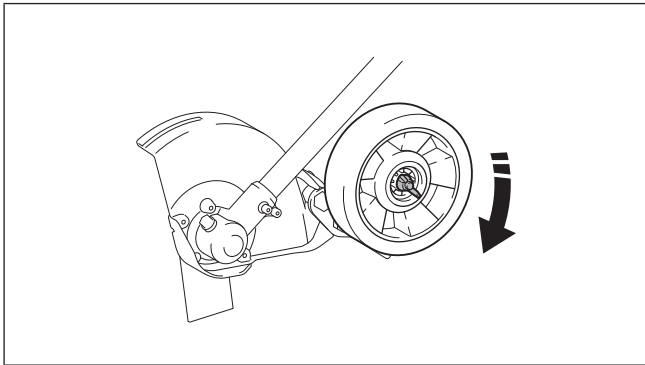
OPMERKING: De bevestigingsmoer van het snijblad (met veerring) verslijt na verloop van tijd. Als u slijtage of vervorming van de moer opmerkt, moet u deze vervangen.

Bediening

⚠ WAARSCHUWING:

- Als het snijgarnituur bij stationair toerental ronddraait, verlaagt u het stationair toerental. Anders komt het snijgarnituur niet tot stilstand wanneer de gashendel wordt losgelaten, waardoor ernstig letsel kan worden veroorzaakt.
- Volg de waarschuwingen en veiligheidsvoorzorgsmaatregelen in het hoofdstuk "Veiligheidsvoorzorgsmaatregelen" op en raadpleeg de gebruiksaanwijzing van het aandrijfsysteem.

De snijbladdiepte instellen



- Draai de moer op de wielas los.
- Verplaats het wiel en stel de hoogte af overeenkomstig de werkzaamheden, en draai vervolgens de moer weer vast.

Tips voor bediening

- Alvorens de grasranden te snijden, giet u er water op om de grond zacht te maken en het snijden van de grasranden te vergemakkelijken.
- Alvorens de grasranden te snijden, controleert u het werkgebied en verwijdert u alle obstakels die geraakt en weggevoerd kunnen worden.
- Probeer de grasranden regelmatig te snijden om het gemakkelijker te maken een strakke grasrand te houden, en om te voorkomen dat u vaker dan één keer erlangs moet om de grasrand eraf te snijden.

OPMERKING:

De snijbladdiepte moet mogelijk worden versteld, afhankelijk van het hoogteverschil tussen de verharding en de bovenkant van het gras.

- Stel de diepte waarmee het snijblad in de grond snijdt in om een gave snede tussen de verharding en het gazon te krijgen bij een minimale snijbladdiepte, waarbij het snijblad doorgaans de grond 13 mm diep binnendringt.

Inspectie en onderhoud

⚠ WAARSCHUWING:

- Alvorens het gereedschap te inspecteren of onderhouden, zet u de motor uit en trekt u de bougiekap eraf of verwijdert u de accu. Als u dat niet doet, kan het snijgarnituur of andere onderdelen gaan ronddraaien en ernstig letsel veroorzaken.
- Leg het gereedschap altijd op de grond wanneer u het inspecteert of onderhoudt. Als u het gereedschap monteert of instelt terwijl het rechtop staat, kan ernstig letsel worden veroorzaakt.
- Volg de waarschuwingen en veiligheidsvoorzorgsmaatregelen in het hoofdstuk "Veiligheidsvoorzorgsmaatregelen" op en raadpleeg de gebruiksaanwijzing van het aandrijfsysteem.

Het snijgarnituur slijpen

⚠ WAARSCHUWING:

Slijp een snijblad niet zelf. Door handmatig slijpen kan een snijblad ongebalanceerd worden, waardoor trillingen kunnen ontstaan en het gereedschap kan worden beschadigd.

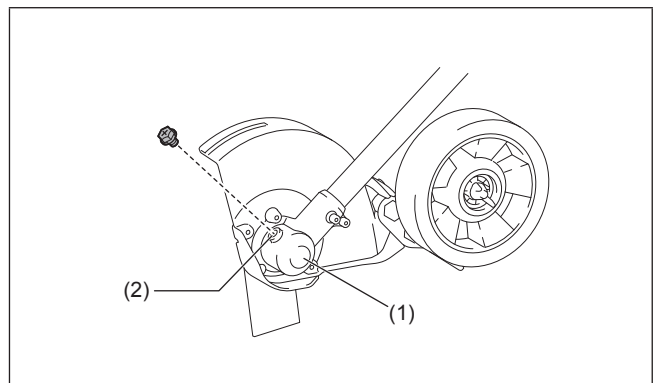
Vraag een erkend Dolmar-servicecentrum om een bot snijblad te slijpen en balanceren.

Bewegende delen smeren

KENNISGEVING: Houdt u aan de opgegeven frequentie en hoeveelheid vet. Als u dat niet doet, kunnen door onvoldoende smering de bewegende delen worden beschadigd.

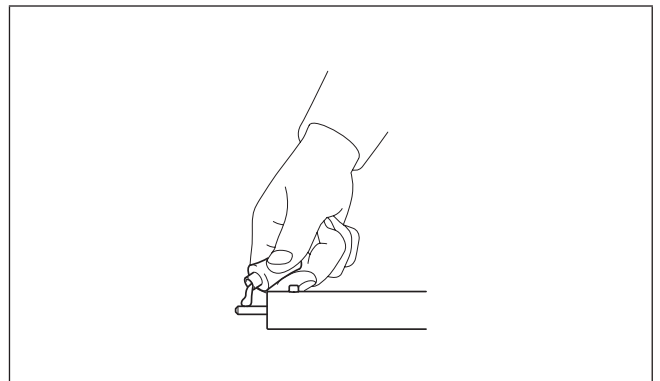
Tandwielhuis:

Breng elke 30 bedrijfsuren smeervet (Shell Alvania 2 of gelijkwaardig) aan in het tandwielhuis (1) via de smeropening (2). (Origineel Dolmar-smeervet kan worden aangeschaft bij uw plaatselijke Dolmar-dealer.)



Aandrijfjas:

Breng iedere 30 bedrijfsuren vet (Shell Alvania 2 of gelijkwaardig) aan.



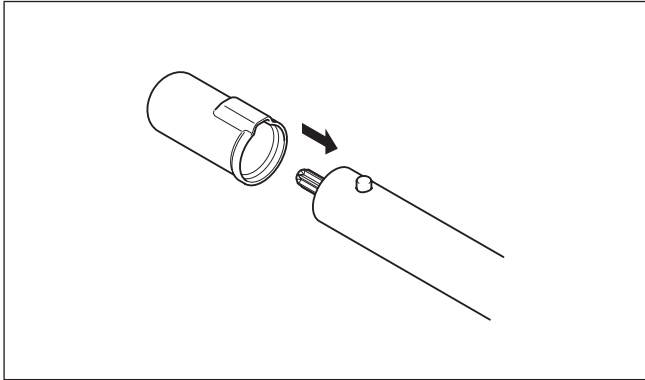
Algehele inspectie

- Draai losse bouten, moeren en schroeven vast.
- Controleer op beschadigde onderdelen. Vraag een erkend Dolmar-servicecentrum om ze te vervangen.

Opslag

⚠ WAARSCHUWING:

Volg de waarschuwingen en veiligheidsvoorzorgsmaatregelen in het hoofdstuk "Veiligheidsvoorzorgsmaatregelen" op en raadpleeg de gebruiksaanwijzing van het aandrijfsysteem.



Als de grasrandsnijhulpstuk los van het aandrijfsysteem wordt opgeborgen, brengt u de dop aan op het uiteinde van de as.

Onderhoudsschema

| Frequentie | | Vóór gebruik | Dagelijks (10 uur) | 30 uur | Indien nodig | Betreffende pagina |
|------------------------------------|---|--------------|--------------------|--------|--------------|--------------------|
| Hele gereedschap | Visueel inspecteren op beschadigde onderdelen | ○ | | | | 35 |
| Alle bevestigingsbouten en -moeren | Vastdraaien | ○ | | | | 35 |
| Tandwielhuis | Smeren | | | ○ | | 35 |
| Aandrijfjas | Smeren | | | ○ | | 35 |
| Snijblad | Visueel inspecteren op beschadigingen | ○ | ○ | | | 35 |
| Aandrijfsysteem | Raadpleeg de gebruiksaanwijzing van het aandrijfsysteem | | | | | |

Problemen oplossen

| Probleem | Waarschijnlijke oorzaak | Oplossing |
|---|---|--|
| De motor start niet. | Raadpleeg de gebruiksaanwijzing van het aandrijfsysteem. | |
| De motor stopt korte tijd na het starten. | | |
| Het maximumtoerental is begrensd. | | |
| Het snijgereedschap draait niet. → Zet de motor onmiddellijk uit! | Het snijblad is niet stevig bevestigd. | Zet het snijblad stevig vast. |
| | Een twijg zit klem tussen het snijblad en de beschermkap. | Verwijder het vreemde voorwerp. |
| | De aandrijving werkt niet goed. | Vraag een erkend Dolmar-servicecentrum om het te inspecteren en repareren. |
| Het gereedschap trilt abnormaal sterk. → Zet de motor onmiddellijk uit! | Het snijblad is verbogen, versleten of gebroken. | Vervang het snijblad door een nieuwe. |
| | Het snijblad is niet stevig bevestigd. | Zet het snijblad stevig vast. |
| | Het snijblad is niet geplaatst op de ontvangerring. | Monteer het snijblad goed. |
| | De aandrijving werkt niet goed. | Vraag een erkend Dolmar-servicecentrum om het te inspecteren en repareren. |
| Het snijgereedschap stopt niet. → Zet de motor onmiddellijk uit! | Het aandrijfsysteem werkt niet goed. | Raadpleeg de gebruiksaanwijzing van het aandrijfsysteem. |

Technische gegevens

| | | |
|--|----|-----------------|
| Model | | PE-CS |
| Afmetingen (l x b x h) | mm | 878 x 131 x 291 |
| Nettogewicht (exclusief beschermkap en snijblad) | kg | 2,4 |
| Diameter van snijblad | mm | 203 |
| Overbrengingsverhouding van tandwielen | | 14/29 |

EU-verklaring van conformiteit

(Alleen voor Europese landen)

**Ondergetekende, Rainer Bergfeld, als erkende
vertegenwoordigers van Dolmar GmbH, verklaart dat de
DOLMAR-machine(s):**

Aanduiding van de machine: Grasrandsnijhulpstuk

Modelnr./Type: PE-CS

Technische gegevens: zie "Technische gegevens"
in serie zijn geproduceerd en

Voldoet aan de volgende Europese richtlijn(en):

2006/42/EG

En is gefabriceerd in overeenstemming met de volgende norm(en)
of genormaliseerde document(en):

ISO 11789

De technische documentatie wordt bewaard door:

Dolmar GmbH

Jenfelder Straße 38, Abteilung FZ, D-22045 Hamburg

2. 7. 2013



Rainer Bergfeld
Hoofddirecteur

Contenido

| | Página |
|---|---------------|
| Contenido | 39 |
| Prólogo | 39 |
| Símbolos | 39 |
| Grupo motor aprobado | 40 |
| Descripción de las piezas | 40 |
| Precauciones de seguridad | 40 |
| Montaje y ajuste | 42 |
| Funcionamiento | 42 |
| Inspección y mantenimiento | 43 |
| Almacenamiento | 43 |
| Programa de mantenimiento | 44 |
| Localización y solución de averías | 44 |
| Datos técnicos | 44 |
| Declaración de conformidad de la CE | 45 |

Prólogo

Muchas gracias por comprar el accesorio rebordecador de Dolmar. Este accesorio se ha diseñado para su montaje en el grupo motor de Dolmar mencionado en este manual de instrucciones. Antes del uso, lea este folleto y el manual de instrucciones del grupo motor. Le ayudará a obtener los mejores resultados posibles del accesorio rebordecador de Dolmar.

Símbolos

Se utilizan los siguientes símbolos en el accesorio y este manual de instrucciones. Comprenda estas definiciones.



Preste especial cuidado y atención.



Lea el manual de instrucciones.



Mantenga el área de trabajo libre de personas



Utilice protección para los ojos y los oídos.



Utilice guantes de protección.



Utilice botas robustas con suela antideslizante. Se recomienda utilizar botas de seguridad con puntera de acero.



Prohibido!



Primeros auxilios

Grupo motor aprobado

Este accesorio solamente se ha aprobado para su uso con los siguientes grupos motores:

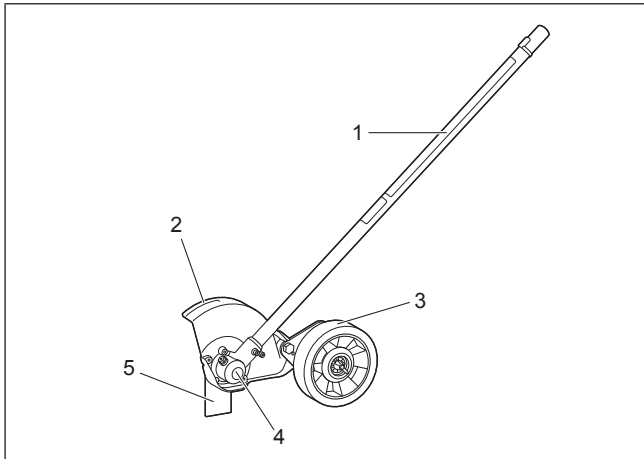
CS-246.4C Multifuncional
AC-3600, AC-3610

Herramienta multifuncional inalámbrica

⚠ ADVERTENCIA:

Nunca utilice el accesorio con un grupo motor no aprobado. Una combinación no aprobada puede provocar lesiones graves.

Descripción de las piezas



Los números de más abajo hacen referencia a la figura.

1. Eje
2. Caja de la cuchilla
3. Rueda
4. Caja de engranajes
5. Cuchilla

Precauciones de seguridad

⚠ ADVERTENCIA:

Lea todas las instrucciones y las advertencias de seguridad de este folleto y el manual de instrucciones del grupo motor. La no observancia de las advertencias y las instrucciones puede provocar descargas eléctricas, incendios y/o lesiones graves.

Guarde todas las advertencias e instrucciones para futuras consultas.

Los términos "rebordeador" y "equipo" de las advertencias y precauciones hacen referencia a la combinación de accesorio y grupo motor.

El término "motor" de las advertencias y precauciones hace referencia al motor o al motor eléctrico del grupo motor.

Uso previsto

- Este equipo solamente se ha diseñado para rebordear el césped de forma conjunta con un grupo motor aprobado. Nunca utilice el accesorio para otra finalidad. El mal uso del accesorio puede provocar lesiones graves.

Precauciones generales

- Antes de poner en marcha el equipo, lea este folleto y el manual de instrucciones del grupo motor para familiarizarse con el manejo del equipo.
- No deje el accesorio a una persona con conocimientos o experiencia insuficientes en el manejo del equipo.
- Cuando preste el accesorio, proporcione siempre este manual de instrucciones.
- No deje que los niños o las personas menores de 18 años utilicen el equipo. Manténgalos alejados del equipo.
- Maneje el equipo con el máximo cuidado y la máxima atención.

- Nunca utilice el equipo tras consumir alcohol o medicamentos o si se siente cansado o enfermo.
- Tenga en cuenta que el operario o el usuario es responsable de los accidentes o situaciones de peligro que se produzcan para otras personas o su propiedad.
- No intente nunca modificar el accesorio.
- Siga las normativas acerca del manejo del equipo en su país.

Equipo de protección personal

- Utilice casco de seguridad, gafas de protección y guantes de protección para protegerse de residuos que puedan salir despedidos o de objetos que caigan.



- Utilice protección para los oídos, como tapones para los oídos para evitar pérdidas auditivas.
- Utilice ropa y calzado que sean adecuados para un uso seguro, por ejemplo, un mono de trabajo y calzado robusto con suela antideslizante. No lleve ropas sueltas ni joyas. Las ropas sueltas, las joyas o el cabello largo pueden quedar atrapados en las piezas móviles.
- Cuando toque la cuchilla de corte, utilice guantes de protección. Las cuchillas de corte pueden provocar graves cortes en las manos desnudas.

Seguridad del área de trabajo

- Utilice el equipo únicamente en condiciones de buena visibilidad y luz de día. No utilice el equipo en condiciones de oscuridad o niebla.
- Ponga en marcha y utilice el motor únicamente en exteriores, en una zona bien ventilada. El uso en una zona cerrada o con poca ventilación puede causar la muerte por asfixia o envenenamiento por monóxido de carbono.
- Durante las operaciones, nunca permanezca sobre una superficie inestable, una superficie resbaladiza o una pendiente. Durante las estaciones frías, tenga cuidado con el hielo y la nieve y asegúrese siempre de mantener una posición bien equilibrada.
- Durante las operaciones, mantenga a las personas circundantes o a los animales alejados como mínimo 15 m del equipo. Detenga el motor cuando se acerque alguien.
- Antes de las operaciones, examine el área de trabajo en busca de piedras u otros objetos sólidos. Pueden salir despedidos o pueden provocar contragolpes peligrosos y causar lesiones graves y/o daños a la propiedad.
- ⚠ ADVERTENCIA: El uso de este producto puede provocar polvo que contiene productos químicos, que pueden provocar enfermedades respiratorias o de otro tipo. Algunos ejemplos de esos productos químicos son compuestos que se encuentran en pesticidas, insecticidas, fertilizantes y herbicidas. El riesgo de esa exposición varía, dependiendo de la frecuencia con la que se realiza ese tipo de trabajo. Para reducir su exposición a estas sustancias químicas: trabaje en zonas bien ventiladas y póngase el equipo de seguridad indicado como, por ejemplo, las mascarillas contra el polvo especialmente diseñadas para filtrar partículas microscópicas.

Inicio de las operaciones

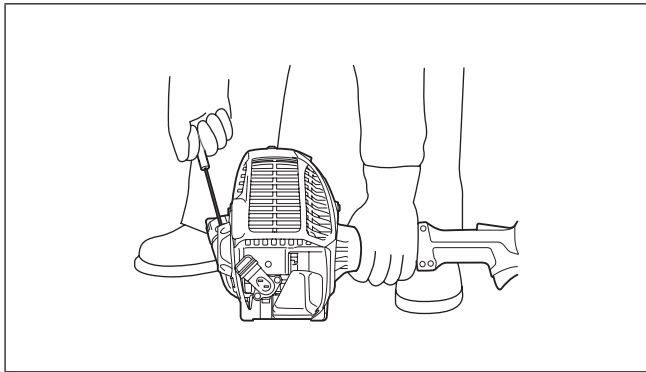
- Antes de ensamblar o ajustar el equipo, apague el motor y retire el capuchón de la bujía o el cartucho de la batería.
- Antes de tocar la cuchilla de corte, utilice guantes de protección.
- Antes de poner en marcha el motor, inspeccione el equipo para detectar daños, tornillos/tuercas flojas o un ensamblado incorrecto. Si la cuchilla de corte está doblada o dañada,

sustitúyala. Compruebe que todas las palancas y los interruptores de control se accionen fácilmente. Limpie y seque bien las empuñaduras.

- Nunca intente poner en marcha el motor si el equipo está dañado o no se ha ensamblado completamente. De lo contrario, puede sufrir lesiones graves.
- Ajuste el arnés de hombro y la empuñadura de mano para que se ajusten al tamaño corporal del operario.

Puesta en marcha del motor

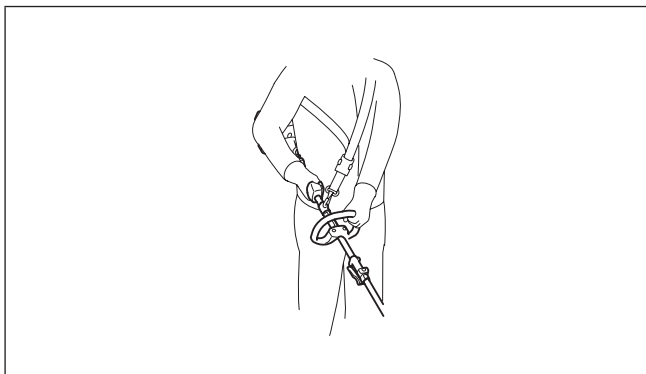
- Utilice los equipos personales antes de poner en marcha el motor.
- Ponga en marcha el motor en una ubicación alejada como mínimo 3 metros (10 pies) del lugar de repostaje.
- Antes de poner en marcha el motor, asegúrese de que no haya ninguna persona o animal en el área de trabajo.
- Cuando ponga en marcha el motor o inserte un cartucho de batería, mantenga la herramienta de corte alejada de su cuerpo y otros objetos, incluso el suelo. Puede girar durante la puesta en marcha y causar lesiones o daños en el equipo y/o la propiedad.
- Coloque el equipo sobre suelo firme. Mantenga un buen equilibrio y una posición segura.
- Cuando tire de la empuñadura de arranque, sujete el grupo motor firmemente contra el suelo con su mano izquierda. No pise nunca el eje de transmisión del grupo motor.



- Siga el manual de instrucciones del grupo motor para poner en marcha el motor.
- Si la herramienta de corte gira al ralentí, detenga el motor y reduzca la velocidad de ralentí.

Funcionamiento

- En caso de emergencia, apague el motor inmediatamente.
- Si percibe cualquier estado inusual (p. ej. ruido o vibración) durante el funcionamiento, apague el motor. No utilice el equipo hasta que se haya reconocido y resuelto la causa.
- La herramienta de corte sigue moviéndose durante un breve período de tiempo después de soltar el disparador de la mariposa de gases o apagar el motor. No se apresure a tocar la herramienta de corte.
- Con el motor funcionando solamente al ralentí, acople el arnés de hombro.
- Durante las operaciones, utilice el arnés de hombro. Mantenga el equipo en su lado derecho firmemente.



- Sujete la empuñadura frontal con la mano izquierda y la empuñadura posterior con la mano derecha, no importa si es diestro o zurdo. Rodee las empuñaduras con los dedos y pulgares.

- Nunca intente utilizar el equipo con una mano. La pérdida de control puede provocar lesiones graves o fatales. Para reducir el riesgo de lesiones, mantenga las manos y los pies alejados de la herramienta de corte.
- No haga demasiadas cosas al mismo tiempo. Mantenga la postura adecuada y el equilibrio en todo momento. Tenga cuidado con obstáculos ocultos, como cepas de árboles, raíces y cunetas para no tropezar.
- Nunca trabaje en una escalera o un árbol para evitar la pérdida de control.
- Si el equipo recibe un fuerte impacto o cae, compruebe su estado antes de continuar con el trabajo. Compruebe si hay fugas en el sistema de combustible y si los dispositivos de seguridad funcionan correctamente. Si hay daños o en caso de duda, solicite al centro de servicio autorizado de Dolmar que realice una inspección y reparación.
- No toque la caja de engranajes. La caja de engranajes se calienta durante el uso.
- Descanse para evitar la pérdida de control causada por la fatiga. Recomendamos descansar de 10 a 20 minutos cada hora.
- Cuando deje el equipo, aunque sea por un breve periodo de tiempo, apague siempre el motor o retire el cartucho de la batería. El equipo desatendido con el motor funcionando puede ser utilizado por una persona no autorizada y puede provocar un accidente grave.
- Siga el manual de instrucciones del grupo motor para un uso correcto del interruptor y la palanca de control.
- Durante cada uso o después del uso, no coloque el equipo caliente sobre césped seco o materiales combustibles.
- Si el césped o las ramas quedan atrapadas entre la herramienta de corte y la protección, detenga siempre el motor y retire el capuchón de la bujía o el cartucho de la batería antes de la limpieza. De lo contrario, el contacto accidental con las cuchillas que están girando puede provocar lesiones graves.
- Si la herramienta de corte golpea piedras u otros objetos duros, apague el motor inmediatamente e inspecciónela.
- Compruebe la herramienta de corte frecuentemente durante las operaciones para detectar grietas o daños. Antes de la inspección, apague el motor y espere hasta que la herramienta de corte se detenga completamente. Sustituya la herramienta de corte dañada inmediatamente, aunque solamente tenga grietas superficiales.
- No corte nunca por encima de la altura de la cintura.
- Antes de iniciar la operación de corte, espere hasta que la herramienta de corte alcance una velocidad constante después de pulsar el disparador.
- Asegúrese siempre de que mantiene un buen equilibrio en pendientes.
- Camine, nunca corra.
- Tenga el máximo cuidado cuando invierta la marcha o tire del rebordeador hacia usted.
- Asegúrese de que la cuchilla se haya detenido antes de cruzar superficies que no sean césped y cuando transporte el rebordeador hacia o desde el área que se debe rebordear.
- Detenga el motor siempre que deje desatendido el rebordeador.

Herramientas de corte

- Nunca utilice cuchillas inadecuadas, incluyendo cadenas oscilantes de varias piezas de metal y cuchillas trilladoras. Se pueden provocar lesiones graves.
- Utilice siempre la protección de la herramienta de corte adecuada para la herramienta de corte que se use.

Vibración

- Las personas con problemas circulatorios que están expuestas a vibraciones excesivas pueden sufrir lesiones en los vasos sanguíneos o en el sistema nervioso. La vibración puede provocar los siguientes síntomas en los dedos, manos o muñecas: "adormecimiento", hormigueo, dolor, sensación punzante, alteración del color de la piel o de la piel. Si sufre alguno de estos síntomas, acuda a un médico.
- Para reducir el riesgo de "enfermedad de dedos blancos", mantenga las manos calientes durante las operaciones y realice un buen mantenimiento del equipo y los accesorios.

Transporte

- Antes de transportar el equipo, apague el motor y retire el capuchón de la bujía o el cartucho de la batería. Extraiga la herramienta de corte.

- Cuando transporte el equipo, hágalo en una posición horizontal sujetando el eje. Mantenga el silenciador caliente alejado de su cuerpo.
- Cuando transporte el equipo en un vehículo, asegúrelo correctamente para que no vuelque. De lo contrario se puede producir un derrame de combustible y daños en el equipo y otros materiales que se transporten.


Mantenimiento

- Su equipo se debe reparar en nuestro centro de servicio autorizado, utilizando solamente piezas de recambio originales. Una reparación incorrecta o un mantenimiento deficiente pueden acortar la vida del equipo y aumentar el riesgo de accidentes.
- Antes de realizar cualquier trabajo de mantenimiento, reparación o limpieza del equipo, apague siempre el motor y retire el capuchón de la bujía o el cartucho de la batería. Espere hasta que el motor se enfríe.
- Para reducir el riesgo de incendio, nunca repare el equipo cerca de fuego.
- Utilice siempre guantes de protección cuando maneje la cuchilla de corte.
- Limpie siempre la suciedad y el polvo del equipo. Nunca utilice gasolina, benceno, disolvente, alcohol o un producto similar con esa finalidad. Se pueden producir descoloraciones, deformaciones o grietas de los componentes de plástico.
- Tras cada uso, apriete todos los tornillos y tuercas, excepto los tornillos de ajuste del carburador.
- No intente realizar ninguna tarea de mantenimiento o reparación que no se describa en este folleto o en el manual de instrucciones del grupo motor. Consulte con un centro de servicio autorizado de Dolmar para esas tareas.
- Utilice siempre, de forma exclusiva, piezas de recambio y accesorios originales de Dolmar. El uso de piezas o accesorios suministrados por un tercero pueden provocar una avería del equipo, daños en la propiedad y/o lesiones graves.
- Solicite al centro de servicio autorizado de Dolmar que realice inspecciones y tareas de mantenimiento del equipo periódicamente.

Almacenamiento

- Antes de almacenar el equipo, realice las tareas de mantenimiento y una limpieza total. Retire el capuchón de la bujía o el cartucho de la batería. Drene el combustible cuando el motor se haya enfriado. Extraiga la herramienta de corte.
- Si se debe purgar el depósito de combustible, debe realizarse al aire libre.
- Guarde el equipo en un lugar seco y elevado o cerrado con llave fuera del alcance de los niños.
- No golpee el equipo contra ningún elemento, como una pared. De lo contrario, puede caer repentinamente y causar lesiones.

Primeros auxilios

-  Tenga siempre cerca un kit de primeros auxilios. Reponga inmediatamente cualquier artículo que tome del botiquín de primeros auxilios.
- Cuando solicite ayuda, proporcione la siguiente información:
 - Lugar del accidente
 - Qué ha ocurrido
 - Número de personas heridas
 - Naturaleza del accidente
 - Su nombre

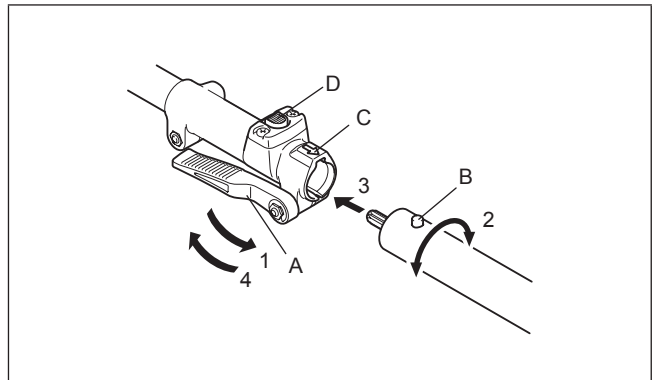
Montaje y ajuste

ADVERTENCIA:

- Antes de ensamblar o ajustar el equipo, apague el motor y retire el capuchón de la bujía o el cartucho de la batería. De lo contrario, la herramienta de corte u otras piezas pueden moverse y provocar lesiones graves.
- Antes de tocar la cuchilla de corte, utilice guantes de protección. Durante el montaje o el ajuste, los dedos pueden estar en contacto con la cuchilla de corte y se pueden producir lesiones graves.
- Durante el montaje o el ajuste del equipo, déjelo siempre en el suelo. El montaje o el ajuste del equipo en una posición vertical pueden provocar lesiones graves.

- Respete las siguientes advertencias y precauciones del capítulo "Precauciones de seguridad" y el manual de instrucciones del grupo motor.

Montaje del accesorio en un grupo motor



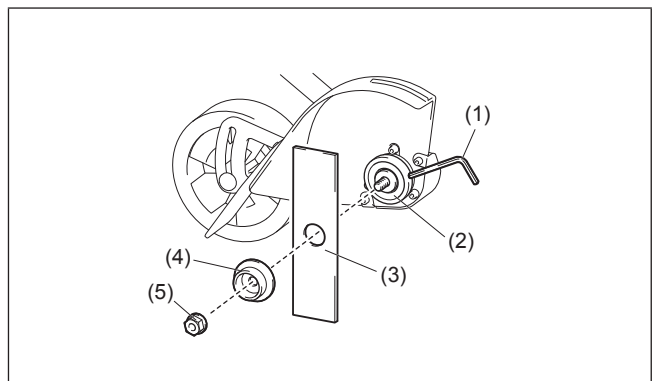
Para montar el accesorio en un grupo motor, siga los pasos de más abajo.

1. Asegúrese de que la palanca de bloqueo (A) no esté apretada.
2. Alinee la clavija (B) con la marca de flecha (C).
3. Inserte el eje en el eje de transmisión del grupo motor hasta que aparezca el botón de liberación (D).
4. Apriete la palanca de bloqueo (A) firmemente tal y como se muestra.

Para extraer el accesorio, afloje la palanca de bloqueo, pulse el botón de bloqueo y retire el eje.

AVISO: No apriete la palanca de bloqueo (A) sin el eje del accesorio insertado. De lo contrario, la palanca de bloqueo puede apretar demasiado la entrada del eje de transmisión y puede dañarlo.

Instalación y desmontaje de la cuchilla



1. Gire la arandela de apoyo (2) de forma que el orificio de la arandela de apoyo se alinee con el orificio de la caja de engranajes.
2. Inserte la llave hexagonal (1) a través de los orificios. Asegúrese de que la arandela de apoyo no gire.
3. Sujetando la llave hexagonal, gire la tuerca (5) en el sentido de las agujas del reloj mediante una llave de vaso.
4. Retire la tuerca y la brida (4).
5. Coloque la cuchilla (3).
6. Vuelva a colocar la brida y la tuerca.
7. Sujetando la llave hexagonal, gire la tuerca en el sentido contrario a las agujas del reloj para apretar la cuchilla.

Para extraer la cuchilla, siga los pasos anteriores en orden inverso.

NOTA: La tuerca de fijación de la cuchilla de corte (con arandela de muelle) se desgasta con el paso del tiempo. Si se aprecia algún desgaste o deformación en la tuerca, sustitúyala.

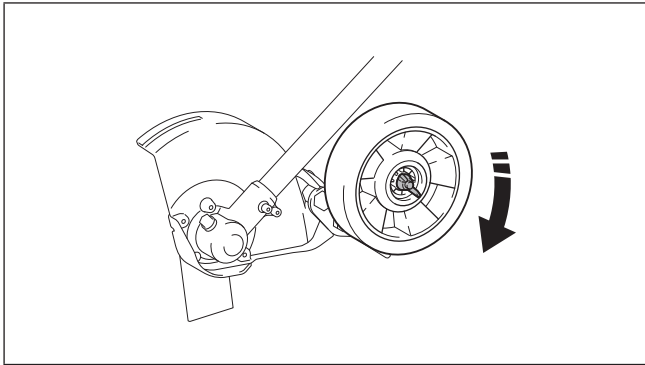
Funcionamiento

ADVERTENCIA:

- Si el la herramienta de corte se mueve al ralentí, reduzca la velocidad de ralentí. De lo contrario, no podrá detener la herramienta de corte con la palanca de la mariposa de gases y se pueden provocar lesiones graves.

- Respete las siguientes advertencias y precauciones del capítulo "Precauciones de seguridad" y el manual de instrucciones del grupo motor.

Ajuste de la profundidad de la cuchilla



- Afloje la tuerca de la rueda.
- Mueva la rueda y ajuste la altura de acuerdo con el uso, a continuación, apriete la tuerca.

Consejos de uso

- Antes de reborderar, moje la zona para ablandar el terreno y facilitar la operación de reborderado.
- Antes de reborderar, compruebe la zona y retire todos los obstáculos que pudieran salir despedidos.
- Planee el reborderado periódico para facilitar un reborderado pulcro y evitar tener que realizar más de una pasada.

NOTA:

Es posible que la profundidad de la cuchilla se tenga que ajustar a causa de las diferencias de altura entre la superficie dura y la parte superior del césped.

- Ajuste la profundidad de corte de la cuchilla para lograr un corte fino entre la acera y el césped usando una profundidad de cuchilla mínima, normalmente de unos 13 mm (1/2") de la cuchilla al suelo.

Inspección y mantenimiento

⚠ ADVERTENCIA:

- Antes de inspeccionar o mantener el equipo, apague el motor y retire el capuchón de la bujía o el cartucho de la batería. De lo contrario, la herramienta de corte u otras piezas pueden moverse y provocar lesiones graves.
- Durante la inspección o el mantenimiento del equipo, déjelo siempre en el suelo. El montaje o el ajuste del equipo en una posición vertical pueden provocar lesiones graves.
- Respete las siguientes advertencias y precauciones del capítulo "Precauciones de seguridad" y el manual de instrucciones del grupo motor.

Afilado de la herramienta de corte

⚠ ADVERTENCIA:

No afile las cuchillas de corte usted mismo. El afilado manual desequilibra una cuchilla de corte y puede provocar vibraciones y daños en el equipo.

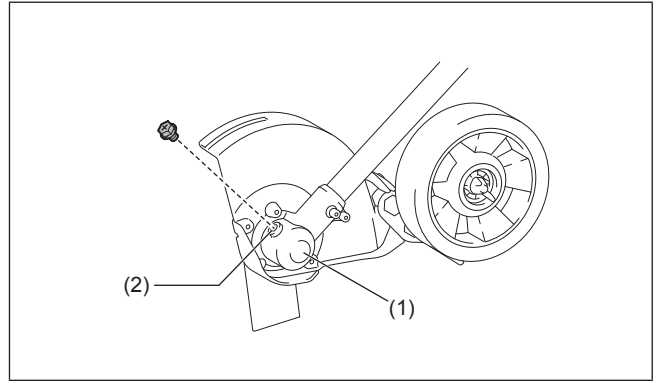
Solicite a un centro de servicio autorizado de Dolmar que afile y equilibre cuchillas de corte desafiladas.

Lubricación de partes móviles

AVISO: Siga las instrucciones relativas a la frecuencia y la cantidad de grasa suministrada. De lo contrario, una lubricación insuficiente puede dañar las partes móviles.

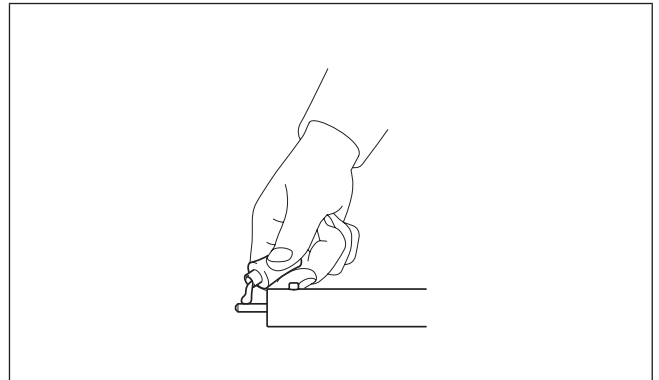
Caja de engranajes:

Suministre grasa (Shell Alvania 2 o equivalente) a la caja de engranajes (1) a través del orificio de engrase (2) cada 30 horas de uso. (Puede comprar grasa original de Dolmar en su distribuidor Dolmar local.)



Eje de transmisión:

Aplique grasa (Shell Alvania N° 2 o equivalente) cada 30 horas de uso.



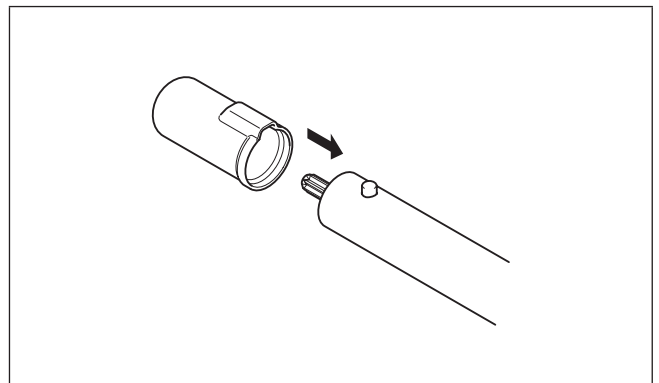
Inspección general

- Apriete pernos, tuercas y tornillos flojos.
- Compruebe si hay piezas dañadas. Solicite a un centro de servicio autorizado de Dolmar que las sustituya.

Almacenamiento

⚠ ADVERTENCIA:

Respete las siguientes advertencias y precauciones del capítulo "Precauciones de seguridad" y el manual de instrucciones del grupo motor.



Cuando almacene el accesorio reborderador separado del grupo motor, coloque la tapa en el extremo del eje.

Programa de mantenimiento

| Horas de funcionamiento | | Antes del uso | Diariamente (10 h) | 30 h | Si es necesario | Página correspondiente |
|---|---|---------------|--------------------|------|-----------------|------------------------|
| Toda la unidad | Inspeccionar visualmente las piezas en busca de daños | ○ | | | | 43 |
| Todas las tuercas y tornillos de fijación | Apretar | ○ | | | | 43 |
| Caja de engranajes | Suministrar grasa | | | ○ | | 43 |
| Eje de transmisión | Suministrar grasa | | | ○ | | 43 |
| Cuchilla de corte | Inspeccionar visualmente en busca de daños | ○ | ○ | | | 43 |
| Grupo motor | Consulte el manual de instrucciones del grupo motor | | | | | |

Localización y solución de averías

| Problema | Causa probable | Solución |
|---|--|--|
| El motor no se pone en marcha. | Consulte el manual de instrucciones del grupo motor. | |
| El motor se detiene al poco rato de su puesta en marcha. | | |
| La velocidad máxima está limitada. | | |
| La herramienta de corte no gira. → Detenga el motor inmediatamente. | La cuchilla de corte no se ha apretado firmemente. | Apriete la cuchilla de corte firmemente. |
| | Hay una pequeña rama atrapada entre la cuchilla de corte y el protector. | Retire el objeto extraño. |
| | El sistema de transmisión no funciona correctamente. | Solicite a un centro de servicio autorizado de Dolmar una inspección y reparación. |
| La unidad vibra de forma anómala. → Detenga el motor inmediatamente. | La cuchilla de corte está doblada, gastada o rota. | Sustituya la cuchilla de corte con una nueva. |
| | La cuchilla de corte no se ha apretado firmemente. | Apriete la cuchilla de corte firmemente. |
| | La cuchilla de corte no está encajada en la arandela de apoyo. | Instale la cuchilla de corte correctamente. |
| | El sistema de transmisión no funciona correctamente. | Solicite a un centro de servicio autorizado de Dolmar una inspección y reparación. |
| La herramienta de corte no se detiene. → Detenga el motor inmediatamente. | El grupo motor no funciona correctamente. | Consulte el manual de instrucciones del grupo motor. |

Datos técnicos

| | | |
|---|----|-----------------|
| Modelo | | PE-CS |
| Dimensiones (Largo x Ancho x Alto) | mm | 878 x 131 x 291 |
| Peso neto (sin incluir el protector ni la cuchilla) | kg | 2,4 |
| Diámetro de la cuchilla de corte | mm | 203 |
| Relación de engranajes | | 14/29 |

Declaración de conformidad de la CE

(Sólo para los países europeos)

El abajo firmante, Rainer Bergfeld, debidamente autorizado por Dolmar GmbH, declara que la(s) máquina(s) DOLMAR:

Designación de la máquina: Accesorio rebordeador

Nº de modelo/ Tipo: PE-CS

Especificaciones: vea "Datos técnicos"

son de producción serie y

Cumplen con las siguientes Directivas europeas:

2006/42/CE

Y se han fabricado de acuerdo con los siguientes estándares o documentos estandarizados:

ISO 11789

La documentación técnica está depositada en:

Dolmar GmbH,

Jenfelder Straße 38, Abteilung FZ, D-22045 Hamburg

2. 7. 2013



Rainer Bergfeld
Director general

Índice

| | Página |
|--------------------------------------|---------------|
| Índice | 46 |
| Prefácio | 46 |
| Símbolos | 46 |
| Unidade de alimentação aprovada..... | 47 |
| Descrição de peças..... | 47 |
| Precauções de segurança..... | 47 |
| Montagem e ajuste..... | 49 |
| Funcionamento..... | 49 |
| Inspeção e manutenção | 50 |
| Armazenamento | 50 |
| Agenda de manutenção | 51 |
| Detecção de avarias..... | 51 |
| Dados técnicos..... | 51 |
| Declaração de conformidade CE..... | 52 |

Prefácio

Obrigado por ter adquirido o aparador de cantos da Dolmar. Este implemento destina-se a ser instalado na unidade de alimentação Dolmar mencionada neste manual de instruções.

Antes da utilização, leia este folheto e o manual de instruções da unidade de alimentação. Irão ajudá-lo a obter os melhores resultados possíveis do aparador de cantos da Dolmar.

Símbolos

Os símbolos seguintes são utilizados no implemento e neste manual de instruções. Compreenda estas definições.



Tenha um cuidado e atenção especiais.



Leia o manual de instruções.



Mantenha a área de trabalho livre de pessoas



Utilize uma protecção para os olhos e ouvidos.



Use luvas de protecção.



Use botas resistentes com solas não derrapantes. Recomenda-se a utilização de botas de segurança com biqueira de aço.



Proibido!



Primeiros-socorros

Unidade de alimentação aprovada

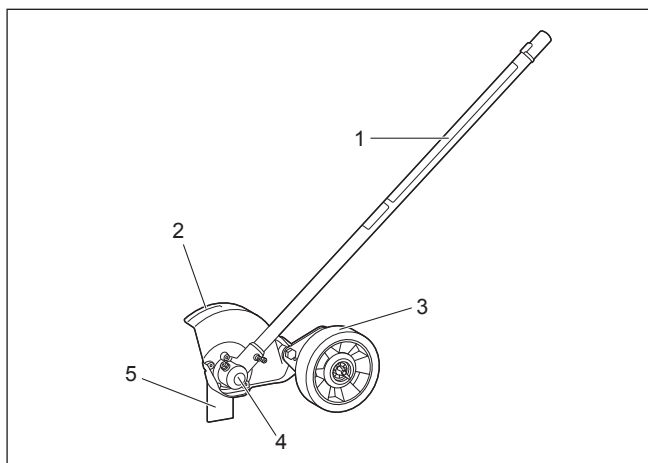
Este implemento está aprovado para utilização com apenas a(s) unidade(s) de alimentação

CS-246.4C Multifuncional a gasolina
AC-3600, AC-3610
Ferramenta multifuncional a bateria

⚠ AVISO:

Nunca utilize o implemento com uma unidade de alimentação não aprovada. Uma combinação não aprovada pode causar ferimentos graves.

Descrição de peças



Os números abaixo referem-se à imagem.

1. Veio
2. Caixa da lâmina
3. Disco
4. Caixa de engrenagens
5. Lâmina

Precauções de segurança

⚠ AVISO:

Leia todos os avisos de segurança e instruções neste folheto e o manual de instruções da unidade de alimentação. O não cumprimento dos avisos e instruções pode resultar na ocorrência de choques eléctricos, incêndios e/ou ferimentos graves.

Guarde todos os avisos e instruções para referência futura.

O termo “aparador de cantos” e “equipamento” nos avisos e precauções referem-se à combinação do implemento e da unidade de alimentação.

O termo “motor” nos avisos e precauções refere-se ao motor ou motor eléctrico da unidade de alimentação.

Utilização prevista

- Este equipamento só se destina a aparar a relva em conjunto com uma unidade de alimentação aprovada. Nunca utilize o implemento para outra finalidade. Abusar do implemento pode causar ferimentos graves.

Precauções gerais

- Antes de ligar o equipamento, leia este folheto e o manual de instruções da unidade de alimentação para se familiarizar com o manuseamento do equipamento.
- Não empreste o implemento a uma pessoa sem experiência ou conhecimento relativamente ao manuseamento do equipamento.
- Ao emprestar o implemento, empreste também este manual de instruções.
- Não permita que crianças ou jovens com menos de 18 anos utilizem o equipamento. Mantenha-os afastados do equipamento.
- Utilize o equipamento com o máximo de cuidado e atenção.
- Nunca utilize o equipamento após o consumo de álcool ou drogas, ou se estiver cansado ou doente.

- Lembre-se que o operador ou o utilizador é responsável pelos acidentes ou perigos que ocorrem a outras pessoas ou à sua propriedade.
- Nunca tente modificar o implemento.
- Siga as regulamentações sobre o manuseamento do equipamento no seu país.

Equipamento de protecção pessoal

- Use capacete, óculos e luvas de protecção para se proteger de detritos projectados ou objectos que possam cair.



- Use protecção para os ouvidos, como tampa-orelhas, para impedir a perda de audição.
- Use vestuário e calçado adequados para uma utilização segura, como fato de macaco e botas robustas e não derrapantes. Não use roupas largas ou jóias. As roupas soltas, jóias ou cabelo comprido podem ficar presos nas peças móveis.
- Ao tocar na lâmina de corte, use luvas de protecção. As lâminas de corte podem cortar as mãos nuas com gravidade.

Segurança na área de trabalho

- Utilize o equipamento em boas condições de visibilidade e apenas durante o dia. Não utilize o equipamento na escuridão ou em condições de nevoeiro.
- Ligue o motor apenas ao ar livre e numa área bem ventilada. A utilização numa área confinada ou com pouca ventilação pode resultar em morte por asfixia ou envenenamento por monóxido de carbono.
- Durante a utilização, nunca se coloque numa superfície instável ou escorregadia ou numa encosta acentuada. Durante a estação fria, preste atenção ao gelo e neve e garanta sempre um apoio seguro.
- Durante a utilização, mantenha as pessoas ou animais, no mínimo, a 15 m de distância do equipamento. Desligue o motor assim que alguém se aproximar.
- Antes da utilização, examine a área de trabalho para a existência de pedras ou outros objectos sólidos. Podem ser projectados ou causar recuos perigosos e resultar em ferimentos graves e/ou danos materiais.
- ⚠ AVISO: A utilização deste produto pode criar pó que contém químicos que pode causar doenças respiratórias ou outras doenças. Alguns exemplos destes químicos são os compostos encontrados nas pesticidas, insecticidas, fertilizantes e herbicidas. O seu risco destas exposições varia, dependendo da frequência com que efectua este tipo de trabalho. Para reduzir a exposição a estes químicos: trabalhe numa área bem ventilada e utilizando equipamento de segurança aprovado como, por exemplo máscaras para o pó especialmente concebidas para filtrar partículas microscópicas.

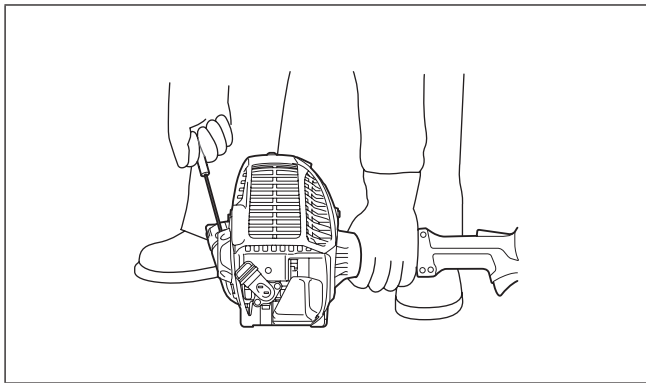
Colocar em funcionamento

- Antes de montar ou ajustar o equipamento, desligue o motor e retire a tampa da vela de ignição ou a bateria.
- Antes de manusear a lâmina de corte, use luvas de protecção.
- Antes de ligar o motor, inspecione o equipamento por danos, parafusos/porcas soltos ou montagem incorrecta. Se a lâmina de corte estiver deformada ou danificada, substitua-a. Verifique as alavancas e interruptores de controlo para uma acção fácil. Limpe e seque as pegas.
- Nunca tente ligar o motor se o equipamento estiver danificado ou se a montagem estiver incompleta. Caso contrário, podem resultar ferimentos graves.

- Ajuste o arnês dos ombros e a pega em conformidade com o corpo do operador.

Ligar o motor

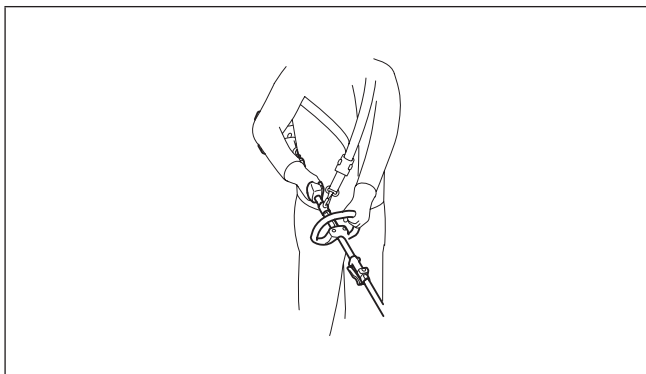
- Use os equipamentos pessoais antes de ligar o motor.
- Ligue o motor, no mínimo, a 3 metros dos local de abastecimento.
- Antes de ligar o motor, certifique-se de que não está ninguém na área de trabalho.
- Ao ligar o motor ou ao introduzir uma bateria, mantenha a ferramenta de corte afastada do seu corpo e de outro objecto, incluindo o solo. Pode rodar ao arrancar e provocar ferimentos ou danos no equipamento e/ou bens.
- Coloque o equipamento numa superfície estável. Mantenha-se sempre bem equilibrado e apoiado.
- Ao puxar a pega de arranque, segure bem a unidade de alimentação contra o solo com a sua mão esquerda. Nunca se coloque sobre o veio de transmissão da unidade de alimentação.



- Siga o manual de instruções da unidade de alimentação para ligar o motor.
- Se a ferramenta de corte rodar ao ralenti, desligue o motor e reduza a velocidade de ralenti.

Funcionamento

- Em caso de emergência, desligue imediatamente o motor.
- Se sentir qualquer condição anormal (por exemplo, ruído, vibração) durante o funcionamento, desligue o motor. Não utilize o equipamento até a causa ser detectada e resolvida.
- A ferramenta de corte continua a rodar durante um curto período após libertar o gatilho ou desligar o motor. Não entre em contacto com a ferramenta de corte.
- Com o motor ao ralenti, instale o arnês dos ombros.
- Durante a utilização, utilize o arnês dos ombros. Mantenha firmemente o equipamento no seu lado direito.



- Segure a pega dianteira com a mão esquerda e a pega traseira com a mão direita, independentemente de ser canhoto ou destro. Envolve as pegas com os dedos e polegares.
- Nunca tente utilizar o equipamento com uma mão. A perda de controlo pode resultar em ferimentos graves ou fatais. Para reduzir o risco de ferimentos, mantenha as suas mãos e pés afastados da ferramenta de corte.
- Não coloque os dedos no interior. Mantenha-se sempre bem equilibrado e apoiado. Esteja atento a obstáculos escondidos, como cepos, raízes de árvores e valas para evitar tropeçar.
- Nunca trabalhe em cima de uma escada ou árvore para evitar a perda de controlo.

- Se o equipamento sofrer um impacto ou queda, verifique o seu estado antes de continuar a trabalhar. Verifique o sistema de combustível por fugas de combustível e os comandos e dispositivos de segurança por avarias. Se existirem danos ou dúvidas, solicite o centro de assistência autorizado Dolmar para a inspeção e reparação.
- Não toque na caixa de engrenagens. A caixa de engrenagens fica quente durante a utilização.
- Descanse para evitar a perda de controlo causada pela fadiga. É aconselhável descansar 10 a 20 minutos por cada hora.
- Quando abandona o equipamento, mesmo por um curto espaço de tempo, desligue sempre o motor ou retire a bateria. O equipamento abandonado com o motor em funcionamento pode ser utilizado por pessoas não autorizadas e causar acidentes graves.
- Siga o manual de instruções da unidade de alimentação para a utilização correcta da alavanca e interruptor de controlo.
- Durante ou após a utilização, não coloque o equipamento quente sobre relva seca ou materiais inflamáveis.
- Se relva ou ramos ficarem presos entre a ferramenta de corte e o resguardo, desligue sempre o motor e retire a tampa da vela de ignição ou a bateria antes da limpeza. Caso contrário, uma rotação accidental da lâmina pode causar ferimentos graves.
- Se a ferramenta de corte atingir pedras ou outros objectos duros, desligue imediatamente o motor e inspecione a ferramenta de corte.
- Verifique frequentemente a ferramenta de corte durante o funcionamento para a existência de fissuras ou danos. Antes da inspeção, desligue o motor e aguarde até a ferramenta de corte parar totalmente. Substitua imediatamente a ferramenta de corte danificada, mesmo que só apresente fissuras superficiais.
- Nunca corte acima da altura dos ombros.
- Antes de iniciar a operação de corte, aguarde até a ferramenta de corte atingir uma velocidade constante após premir o gatilho.
- Certifique-se de que tem sempre um bom apoio de pés nos declives.
- Caminhe, nunca corra.
- Tenha muito cuidado ao recuar ou puxar o aparador de cantos na sua direcção.
- Certifique-se de que a lâmina parou antes de cruzar as superfícies que não relva e ao transportar o aparador de cantos de e para a área a aparar.
- Desligue o motor sempre que abandona o aparador de cantos.

Ferramentas de corte

- Nunca utilize lâminas incorrectas incluindo correntes rotativas de multi-peças metálicas e lâminas de mangual. Pode resultar em ferimentos graves.
- Utilize sempre o resguardo da ferramenta de corte adequado para a ferramenta de corte utilizada.

Vibração

- As pessoas com má circulação que sejam expostas a vibrações excessivas podem sofrer ferimentos nos vasos sanguíneos ou no sistema nervoso. As vibrações podem causar os seguintes sintomas nos dedos, mãos ou pulsos: "Adormecimento" (falta de sensação), formigamento, dor, sensação de picadas, alteração da cor da pele ou da própria pele. Se ocorrer qualquer um destes sintomas, consulte um médico!
- Para reduzir o risco de "doença de Raynaud", mantenha as mãos quentes durante o funcionamento e segure bem o equipamento e os acessórios.

Transporte

- Antes de transportar o equipamento, desligue o motor e retire a tampa da vela de ignição ou a bateria. Retire a ferramenta de corte.
- Ao transportar o equipamento, carregue-o numa posição horizontal ao segurar o veio. Mantenha o silenciador quente afastado do seu corpo.
- Ao transportar o equipamento num veículo, fixe-o correctamente para evitar uma viragem. Caso contrário, podem resultar derrames de combustível e danos no equipamento e noutras embalagens.

Manutenção

- Solicite o nosso centro de assistência autorizado para efectuar a manutenção do equipamento, utilizando sempre


peças sobresselentes genuínas. A reparação ou manutenção incorrectas podem encurtar a vida útil do equipamento e aumentar o risco de acidentes.

- Antes de efectuar qualquer manutenção ou trabalho de reparação ou limpeza no equipamento, desligue sempre o motor e retire a tampa da vela de ignição ou a bateria. Aguarde até que o motor arrefeça.
- Para reduzir o risco de incêndios, nunca preste assistência ao equipamento próximo de chamas.
- Use sempre luvas de protecção ao manusear a lâmina de corte.
- Limpe sempre o pó e a sujidade do equipamento. Nunca utilize gasolina, benzina, diluente, álcool ou semelhante para o efeito. Pode resultar na descoloração, deformação ou quebra dos componentes de plástico.
- Após cada utilização, aperte todos os parafusos e porcas, excepto os parafusos de regulação do carburador.
- Não tente qualquer trabalho de manutenção ou reparação não descrito neste folheto ou no manual de instruções da unidade de alimentação. Peça ao centro de assistência autorizado Dolmar para efectuar esses trabalhos.
- Utilize sempre peças sobresselentes e acessórios originais da Dolmar. Utilizar peças ou acessórios fornecidos por terceiros pode resultar na avaria do equipamento, danos materiais e/ou ferimentos graves.
- Solicite o centro de assistência autorizado Dolmar para inspeccionar e efectuar a manutenção do equipamento em intervalos regulares.

Armazenamento

- Antes de armazenar o equipamento, efectue a limpeza e manutenção completas. Retire a tampa da vela de ignição ou a bateria. Purgue o combustível após o motor arrefecer. Retire a ferramenta de corte.
- Se o depósito de combustível tiver de ser drenado, faça-o no exterior.
- Guarde o equipamento num local seco e elevado ou trancado, fora do alcance das crianças.
- Não encoste o equipamento contra algo, como uma parede. Caso contrário, pode cair repentinamente e causar ferimentos.

Primeiros-socorros

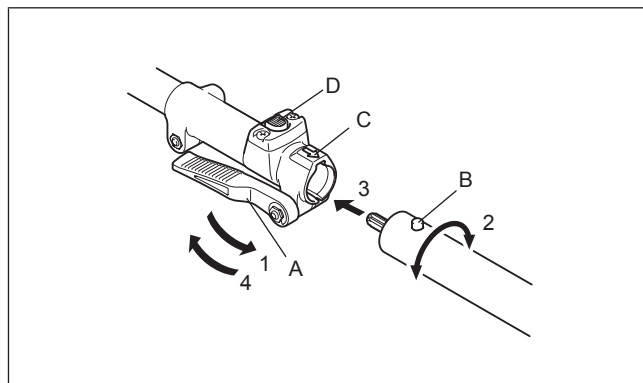
-  Tenha sempre um kit de primeiros socorros por perto. Substitua imediatamente qualquer item retirado do kit de primeiros socorros.
- Ao pedir ajuda, forneça a seguinte informação:
 - Local do acidente
 - O que aconteceu?
 - Número de pessoas feridas
 - Natureza do ferimento
 - O seu nome

Montagem e ajuste

AVISO:

- Antes de montar ou ajustar o equipamento, desligue o motor e retire a tampa da vela de ignição ou a bateria. Caso contrário, a ferramenta de corte ou outras peças podem mover-se e resultar em ferimentos graves.
- Antes de manusear a lâmina de corte, use luvas de protecção. Durante a montagem ou ajuste, os seus dedos podem entrar em contacto com a lâmina de corte e sofrer ferimentos graves.
- Ao montar ou ajustar o equipamento, coloque-o sempre no chão. Montar ou ajustar o equipamento numa posição vertical pode resultar em ferimentos graves.
- Siga todos os avisos e precauções no capítulo “Precauções de segurança” e o manual de instruções da unidade de alimentação.

Instalar o implemento numa unidade de alimentação



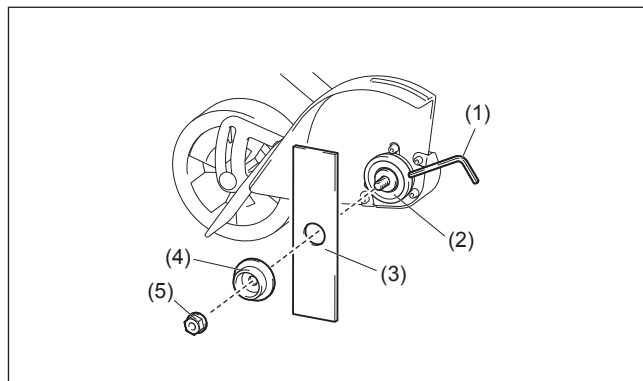
Para instalar o implemento numa unidade de alimentação, efectue os passos abaixo.

1. Certifique-se de que a alavanca de bloqueio (A) não está apertada.
2. Alinhe o perno (B) com a marca de seta (C).
3. Introduza o veio no veio de transmissão da unidade de alimentação até o botão de libertação (D) saltar.
4. Aperte firmemente a alavanca de bloqueio (A), conforme indicado.

Para remover o implemento, desaperte a alavanca de bloqueio, prima o botão de bloqueio e retire o veio.

ATENÇÃO: Não aperte a alavanca de bloqueio (A) sem o veio do implemento introduzido. Caso contrário, a alavanca de bloqueio pode apertar demasiadamente a entrada do veio de transmissão e danificá-la.

Instalar e remover a lâmina



1. Rode a anilha receptora (2) para que o orifício na alinha receptora se alinhe com o orifício na caixa de engrenagens.
2. Introduza a chave sextavada (1) através dos orifícios. Certifique-se de que a anilha receptora não roda.
3. Segurando a chave sextavada, rode a porca (5) no sentido dos ponteiros do relógio utilizando uma chave de caixa.
4. Retire a porca e o grampo (4).
5. Coloque a lâmina (3).
6. Volte a colocar o grampo e a porca.
7. Segurando na chave sextavada, rode a porca no sentido contrário aos ponteiros do relógio para apertar a lâmina.

Para remover a lâmina, efectue os passos acima de forma inversa.

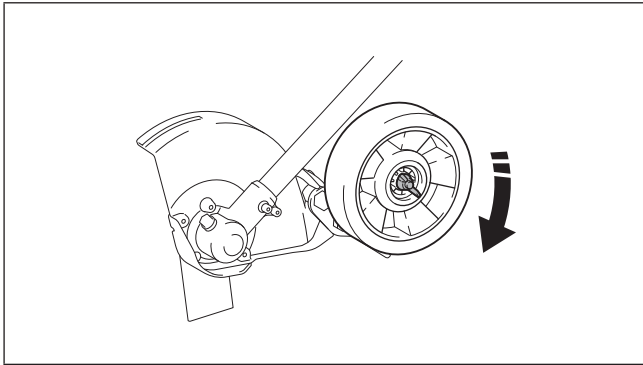
NOTA: A porca de aperto da lâmina de corte (com anilha de pressão) desgasta-se ao longo do tempo. Se aparecer algum desgaste ou deformação na porca, substitua-a.

Funcionamento

AVISO:

- Se a ferramenta de corte se mover ao ralenti, reduza a velocidade de ralenti. Caso contrário, não pode parar a ferramenta de corte com o acelerador desligado e isto pode causar ferimentos graves.
- Siga todos os avisos e precauções no capítulo “Precauções de segurança” e o manual de instruções da unidade de alimentação.

Ajustar a profundidade da lâmina



- Desaperte a porca no disco.
- Mova o disco e ajuste a altura de acordo com a operação, de seguida, aperte a porca.

Sugestões de utilização

- Antes de aparar, regue a área para suavizar o solo e facilitar a tarefa de aparar.
- Antes de aparar, verifique a área e retire todos os obstáculos e os objectos que podem ser projectados.
- Apare regularmente para tornar mais fácil manter um canto limpo e evitar ter que fazer mais do que uma passagem.

NOTA:

A profundidade da lâmina pode ter que ser ajustada devido a diferenças na altura entre a superfície dura e a parte superior da relva.

- Ajuste a profundidade de corte das lâminas para produzir um corte fino entre o passeio e a relva utilizando uma profundidade de lâmina mínima, normalmente, cerca de 13 mm da lâmina no solo.

Inspecção e manutenção

⚠ AVISO:

- Antes de inspecionar ou efectuar a manutenção do equipamento, desligue o motor e retire a tampa da vela de ignição ou a bateria. Caso contrário, a ferramenta de corte ou outras peças podem mover-se e resultar em ferimentos graves.
- Ao inspecionar ou efectuar a manutenção do equipamento, coloque-o sempre no chão. Montar ou ajustar o equipamento numa posição vertical pode resultar em ferimentos graves.
- Siga todos os avisos e precauções no capítulo “Precauções de segurança” e o manual de instruções da unidade de alimentação.

Voltar a afiar a ferramenta de corte

⚠ AVISO:

Não afie as lâminas de corte sozinho. Uma afiação manual desequilibra uma lâmina de corte e pode causar vibrações e danos no equipamento.

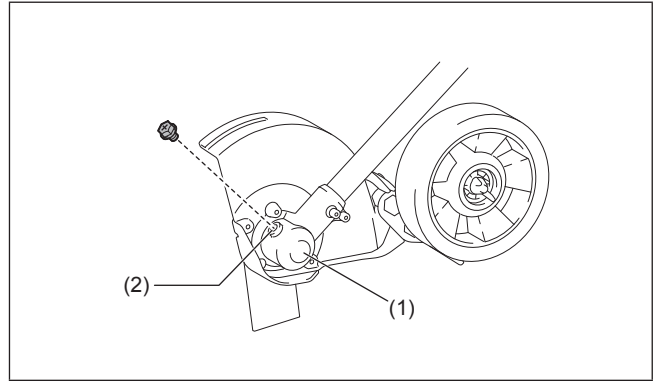
Peça a um centro de assistência autorizado da Dolmar para afiar e equilibrar novamente as lâminas de corte.

Lubrificar as peças móveis

ATENÇÃO: Siga as instruções de frequência e quantidade de massa lubrificante fornecida. Caso contrário, uma lubrificação insuficiente pode danificar as peças móveis.

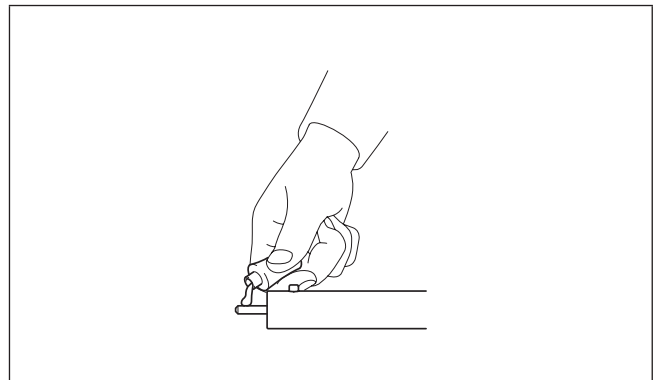
Caixa de engrenagens:

Forneça lubrificação (Shell Alvania 2 ou equivalente) para a caixa de engrenagens (1) através do orifício de lubrificação (2) a cada 30 horas de utilização. (Lubrificação Dolmar pode ser adquirida no seu revendedor Dolmar local.)



Eixo motor:

Aplique massa lubrificante (Shell Alvania N.º 2 ou equivalente) a cada 30 horas de utilização.



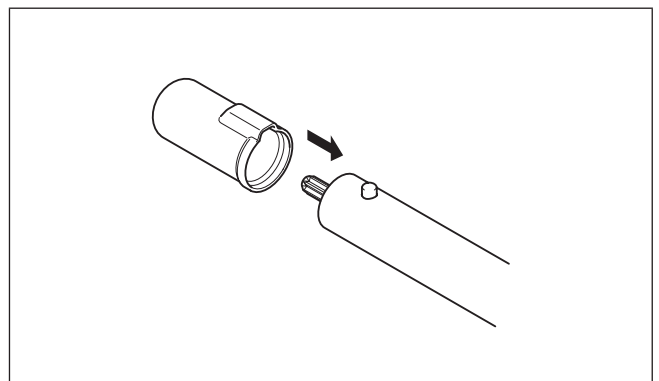
Inspecção geral

- Aperte os parafusos e porcas soltos.
- Verifique por peças danificadas. Peça ao centro de assistência autorizado Dolmar para as substituir.

Armazenamento

⚠ AVISO:

Siga todos os avisos e precauções no capítulo “Precauções de segurança” e o manual de instruções da unidade de alimentação.



Ao guardar o aparador de cantos separado da unidade de alimentação, coloque a tampa na extremidade do veio.

Agenda de manutenção

| Horas de utilização | | Antes da utilização | Diariamente (10h) | 30h | Se necessário | Página correspondente |
|--|---|---------------------|-------------------|-----|---------------|-----------------------|
| Unidade inteira | Inspeccione visualmente por peças danificadas | ○ | | | | 50 |
| Todos os parafusos e porcas de fixação | Apertar | ○ | | | | 50 |
| Caixa de engrenagens | Fornecimento de massa lubrificante | | | ○ | | 50 |
| Eixo motor | Fornecimento de massa lubrificante | | | ○ | | 50 |
| Lâmina de corte | Inspeccione visualmente por danos | ○ | ○ | | | 50 |
| Unidade de alimentação | Consulte o manual de instruções da unidade de alimentação | | | | | |

Detecção de avarias

| Problema | Causa provável | Solução |
|---|---|---|
| O motor não arranca. | Consulte o manual de instruções da unidade de alimentação. | |
| O motor pára após arrancar. | | |
| A velocidade máxima está limitada. | | |
| A ferramenta de corte não roda. → Desligue imediatamente o motor! | A lâmina de corte não está bem apertada. | Aperte bem a lâmina de corte. |
| | Ficou preso um galho entre a lâmina de corte e o protector. | Retire as substâncias estranhas. |
| | O sistema de accionamento não funciona correctamente. | Peça ao centro de assistência autorizado Dolmar inspeccionar e reparar. |
| A unidade vibra de forma anómala. → Desligue imediatamente o motor! | A lâmina de corte está deformada, desgastada ou quebrada. | Substitua a lâmina de corte por uma nova. |
| | A lâmina de corte não está bem apertada. | Aperte bem a lâmina de corte. |
| | A lâmina de corte não está instalada na anilha receptora. | Instale a lâmina de corte correctamente. |
| | O sistema de accionamento não funciona correctamente. | Peça ao centro de assistência autorizado Dolmar inspeccionar e reparar. |
| A ferramenta de corte não pára. → Desligue imediatamente o motor! | A unidade de alimentação não funciona correctamente. | Consulte o manual de instruções da unidade de alimentação. |

Dados técnicos

| | | |
|---|----|-----------------|
| Modelo | | PE-CS |
| Dimensões (C x L x A) | mm | 878 x 131 x 291 |
| Peso líquido (Não incluindo o protector e a lâmina) | kg | 2,4 |
| Diâmetro da lâmina de corte | mm | 203 |
| Relação de transmissão | | 14/29 |

Declaração de conformidade CE

(Apenas para os países europeus)

O abaixo-assinado, Rainer Bergfeld, assim autorizado pela Dolmar GmbH, declara que as máquinas DOLMAR:

Designação da máquina: Aparador de Cantos

N.º de modelo/Tipo: PE-CS

Especificações: consulte "Dados técnicos"

são de produção em série e

Estão em conformidade com a(s) Directiva(s) Europeia(s) seguinte(s):

2006/42/EC

E são fabricadas de acordo com a(s) norma(s) ou os documento(s) padronizado(s) seguinte(s):

ISO 11789

A documentação técnica está arquivada em:

Dolmar GmbH

Jenfelder Straße 38, Abteilung FZ, D-22045 Hamburg

2. 7. 2013



Rainer Bergfeld
Director executivo

Indhold

| | Side |
|------------------------------------|-------------|
| Indhold..... | 53 |
| Forord..... | 53 |
| Symboler | 53 |
| Godkendt drivenhed | 54 |
| Beskrivelse af dele | 54 |
| Sikkerhedsforholdsregler..... | 54 |
| Samling og justering..... | 56 |
| Betjening..... | 56 |
| Eftersyn og vedligeholdelse..... | 57 |
| Opbevaring..... | 57 |
| Vedligeholdelseskema | 58 |
| Fejlfinding | 58 |
| Tekniske data..... | 58 |
| EF-overensstemmelseserklæring..... | 59 |

Forord

Tak fordi du har købt et kantskærertilbehør fra Dolmar. Dette tilbehør er designet til at blive monteret på en den Dolmar-drivenhed, som er nævnt i denne brugsanvisning. Læs venligst dette hæfte og brugsanvisningen til drivenheden inden brug. Det vil gøre dig i stand til at opnå det bedst mulige resultat med dit kantskærertilbehør fra Dolmar.

Symboler

De følgende symboler er anvendt på tilbehøret og i denne brugsanvisning. Forstå disse definitioner.



Vær særlig forsigtig og opmærksom.



Læs brugsanvisningen.



Hold arbejdsområdet fri for personer



Bær beskyttelsesbriller og høreværn.



Bær beskytteshandsker.



Anvend kraftige støvler med skridsikre såler. Sikkerhedssko med stål-næse anbefales.



Forbudt!



Førstehjælp

Godkendt drivenhed

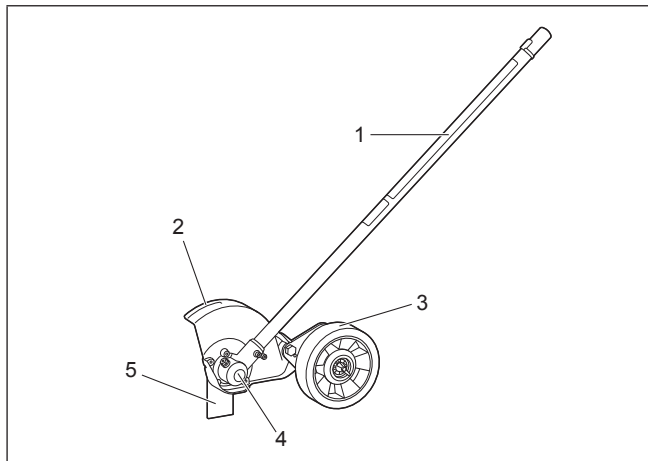
Dette tilbehør er kun godkendt til brug med den/de følgende drivenhed(er):

CS-246.4C Multifunktionelt værktøjshoved
AC-3600, AC-3610
Batteridrevet multifunktionelt værktøjshoved

⚠ ADVARSEL:

Anvend aldrig dette tilbehør med en ikke-godkendt drivenhed. En ikke-godkendt kombination kan medføre alvorlig personskade.

Beskrivelse af dele



Tallene nedenfor refererer til figuren.

1. Skaft
2. Klingehus
3. Hjul
4. Gearkasse
5. Klinge

Sikkerhedsforholdsregler

⚠ ADVARSEL:

Læs alle sikkerhedsadvarsler og alle instruktioner i dette hæfte og brugsanvisningen til drivenheden. Det kan medføre elektrisk stød, brand og/eller alvorlig personskade, hvis du ikke overholder advarselserne og følger instruktionerne.

Gem alle advarsler og instruktioner så du har dem til fremtidig brug.

Termen "kantskærer" og "udstyr" i advarselserne og forholdsregler henviser til kombinationen af tilbehøret og drivenheden.

Termen "motor" i advarselserne og forholdsreglerne henviser til motoren eller drivenhedens elektriske motor.

Tilsigtet anvendelse

- Dette udstyr er kun beregnet til kantskæring af græsplænen sammen med en godkendt drivenhed. Anvend aldrig tilbehøret til nogen andre formål. Misbrug af tilbehøret kan medføre alvorlig personskade.

Generelle forholdsregler

- Inden du starter udstyret, skal du læse dette hæfte og brugsanvisningen til drivenheden, så du er bekendt med håndteringen af udstyret.
- Lån ikke tilbehøret ud til en person med begrænset erfaring eller kendskab til håndteringen af udstyret.
- Vedlæg altid denne brugsanvisning, når tilbehøret lånes ud.
- Børn og unge personer under 18 år må ikke anvende udstyret. Hold dem væk fra udstyret.
- Håndter udstyret med allerstørste omhu og opmærksomhed.
- Anvend aldrig udstyret efter indtagelse af alkohol eller medicin, eller hvis du føler dig træt eller dårligt tilpas.

- Vær opmærksom på, at operatøren eller brugeren er ansvarlig for ulykker eller farlige situationer, der måtte opstå mod andre personer eller deres ejendele.
- Forsøg aldrig på at modificere tilbehøret.
- Overhold reglerne for håndtering af udstyret i dit land.

Personligt sikkerhedsudstyr

- Bær sikkerhedshjelm, beskyttelsesbriller og beskyttelseshandsker for at beskytte dig selv mod flyvende afskårne stykker og faldende genstande.



- Anvend høreværn som f.eks. ørekopper at forhindre høretab.
- Bær passende tøj og sko af hensyn til sikker anvendelse, som f.eks. en arbejdsoverall og kraftige, skridsikre sko. Bær ikke løst tøj eller smykker. Løst tøj, smykker eller langt hår kan sidde fast i bevægelige dele.
- Bær beskyttelseshandsker ved berøring af klingerne. Du kan skære dine bare hænder voldsomt på klingerne.

Sikkerhedsregler for arbejdsområdet

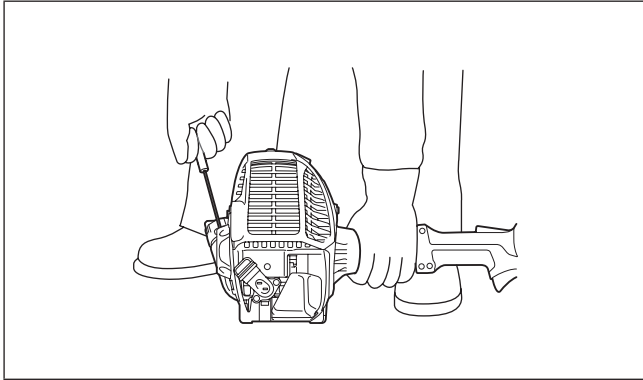
- Anvend kun udstyret under forhold med god sigtbarhed og i dagslys. Udstyret må ikke anvendes i mørke eller tåge.
- Start og anvend kun motoren udendørs på områder med god ventilation. Anvendelse på et indelukket eller dårligt ventileret område kan medføre død pga. kvælning eller kulliteforgiftning.
- Anvendelsen må du aldrig stå på en ustabil eller glat overflade eller på en stejl bakke. Vær opmærksom på is og sne i den kolde sæson og sørg altid for at have et godt fodfæste.
- Hold folk i nærheden og dyr på mindst 15 meters afstand af udstyret under anvendelsen. Stop motoren så snart nogen nærmer sig.
- Undersøg arbejdsområdet for sten eller andre hårde genstande inden arbejdet udføres. De kan blive kastet ud eller forårsage alvorlige tilbagekast og derved resultere i alvorlige personskader og/eller materielle skader.
- ⚠ ADVARSEL: Brug af dette produkt kan udvikle støv indeholdende kemikalier, der kan medføre luftvejs- eller andre sygdomme. Eksempler på disse kemikalier er forbindelser fundet i pesticider, insektmidler, kunstgødninger og sprøjtegifte. Din risiko i forbindelse med udsættelse for disse kemikalier afhænger af, hvor ofte du udfører denne type arbejde. For at reducere udsættelsen for disse kemikalier: Udfør kun arbejde på områder med god ventilation og under anvendelse af godkendt sikkerhedsudstyr, såsom støvmasker, der er specielt konstrueret til at frafiltrere mikroskopiske partikler.

Anvendelse

- Inden samling eller justering af udstyret skal du slukke for motoren og fjerne tændrørshætten eller batteripakken.
- Bær beskyttelseshandsker inden håndtering af klingens.
- Inden motoren startes, skal du efterse udstyret for skader, løse skruer/møtrikker og forkert samling. Hvis klingens er bøjet eller beskadiget, skal den udskiftes. Kontroller, at alle kontrolhåndtag og kontakter glider nemt. Rens og tør håndtagene godt.
- Forsøg aldrig på at starte motoren, hvis udstyret er beskadiget eller ikke er fuldstændig samlet. Ellers kan det medføre alvorlig personskade.
- Juster bæreselen og håndtaget så det passer til brugerens kropsstørrelse.

Start af motoren

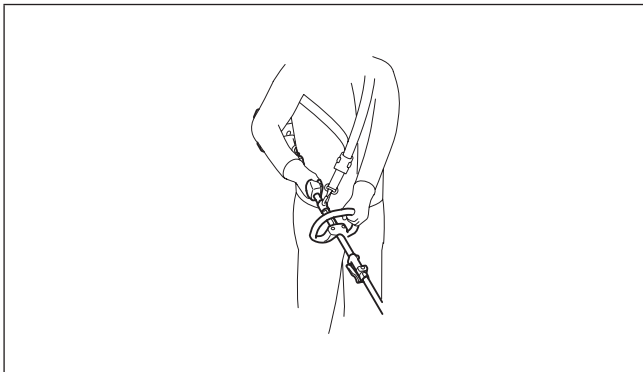
- Tag det personlige udstyr på inden start af motoren.
- Start motoren på mindst 3 meters afstand af stedet for brændstofpåfyldningen.
- Inden start af motoren skal du sikre dig, at der ikke er nogen personer eller dyr i arbejdsområdet.
- Når du starter motoren eller indsætter en batteripakke, skal du holde skæreværktøjet væk fra kroppen og andre genstande, inklusive jorden. Det kan eventuelt begynde at rotere ved start og forårsage tilskadekomst eller beskadige udstyret og/eller materiel.
- Placer udstyret på fast grund. Hold en god balance og et sikkert fodfæste.
- Når du trækker i starthåndtaget, skal du holde drivenheden fast mod jorden med venstre hånd. Træd aldrig på drivenhedens drivaksel.



- Følg brugsanvisningen til drivenheden for start af motoren.
- Hvis skæreværktøjet roterer i tomgang, skal du stoppe motoren og justere tomgangshastigheden ned.

Betjening

- I nødstilfælde skal du straks slukke for motoren.
- Hvis bemærker noget unormalt (f.eks. støj, vibration) under anvendelsen, skal du slukke for motoren. Brug ikke udstyret før årsagen er fundet, og problemet er løst.
- Skæreværktøjet fortsætter med at rotere i en kort periode, efter gashåndtaget er sluppet, eller motoren er slukket. Rør ikke straks ved skæreværktøjet.
- Monter bæreselen med motoren kørende i tomgang.
- Brug bæreselen under anvendelsen af udstyret. Hold udstyret fast på din højre side.



- Hold det forreste håndtag med venstre hånd og det bagerste greb med højre hånd, uanset om du er højre- eller venstrehåndet. Hold rundt om håndtagene med fingre og tommeltotter.
- Forsøg aldrig at betjene udstyret med én hånd. Tab af kontrol kan medføre alvorlig eller dødelig tilskadekomst. For at reducere risikoen for tilskadekomst skal du holde hænder og fødder væk fra skæreværktøjet.
- Stræk dig ikke for langt frem. Bevar fodfæstet og balancen til enhver tid. Vær på vagt over for skjulte forhindringer som f.eks. træstubbe, rødder og grøfter, så du undgår at snuble.
- Arbejd aldrig stående på en stige eller oppe i et træ for at undgå tab af kontrol.
- Hvis udstyret bliver udsat for stærkt tryk eller tabes, skal du kontrollere tilstanden, inden du fortsætter arbejdet. Kontroller brændstofsyste­met for brændstoflækage samt betjenings- og sikkerhedsudstyr for funktionsfejl. Hvis der er nogen skader eller

tvivlsspørgsmål, skal du bede et autoriseret Dolmar-servicecenter om at foretage eftersyn og reparation.

- Rør ikke ved gearkassen. Gearkassen bliver varm under anvendelsen.
- Hold pauser for at forhindre tab af kontrol pga. træthed. Vi anbefaler, at du tager en 10 til 20 minutters pause hver time.
- Når du forlader udstyret, selv hvis det kun er for kort tid, skal du altid slukke for motoren eller fjerne batteripakken. Hvis udstyret med kørende motor lades uden opsyn kan det blive anvendt af en uautoriseret person og medføre alvorlige ulykker.
- Følg brugsanvisningen til drivenheden angående korrekt brug af betjeningshåndtaget og kontakten.
- Placer ikke det varme udstyr på tørt græs eller brændbare materialer, hverken under eller efter anvendelsen.
- Hvis der sætter sig græs eller grene fast mellem skæreværktøjet og afskærmningen, skal du altid standse motoren og fjerne tændørshætten eller batteripakken inden rengøring. Ellers kan utilsigtet klingerotation muligvis forårsage alvorlige personskader.
- Hvis skæreværktøjet rammer sten eller andre hårde objekter, skal du straks slukke for motoren og efterse skæreværktøjet.
- Kontroller skæreværktøjet regelmæssigt for revner eller skader under anvendelsen. Inden eftersyn skal du slukke for motoren, og vente indtil skæreværktøjet er helt stoppet. Udskift straks beskadiget skæreværktøj, selv hvis det kun er overfladiske revner.
- Skær aldrig over hoftehøjde.
- Inden du påbegynder skærearbejde, skal du vente indtil skæreværktøjet når en konstant hastighed efter aktivering af gashåndtaget.
- Sørg altid for et godt fodfæste på skråninger.
- Gå, løb aldrig.
- Vær meget forsigtig, når du bakker eller trækker kantskæreren ind mod dig selv.
- Sørg for, at klingens er stoppet, inden du krydser andre overflader end græs, samt når kantskæreren transporteres til og fra det område, som skal kantskæres.
- Stop altid motoren, når du forlader kantskæreren.

Skæreværktøjer

- Brug aldrig uegnede klinger, inklusive roterende kæder bestående af flere metalstykker og tærskelklinger. Det kan muligvis medføre alvorlig personskade.
- Anvend altid en afskærmning for skæreværktøj, der passer til det anvendte skæreværktøj.

Vibration

- Personer med dårligt blodomløb, der udsættes for kraftige vibrationer, risikerer beskadigelse af blodkar eller nervesystemet. Vibrationer kan medføre følgende symptomer i fingre, hænder eller håndled: Leddet "sover" (følelsesløshed), prikken, smerte, stikken, ændring af hudfarven eller af huden. Søg læge, hvis nogle af disse symptomer opstår!
- For at reducere risikoen for "hvide fingre-syndrom" skal du holde dine varme under anvendelsen og vedligeholde udstyret og tilbehøret ordentligt.

Transport

- Inden transport af udstyret skal du slukke for motoren og fjerne tændørshætten eller batteripakken. Afmonter skæreværktøjet.
- Når udstyret transporteres, skal det holdes i skaffet og bæres i vandret position. Sørg for at holde den varme lyd­dæmper væk fra kroppen.
- Når udstyret transporteres i et køretøj, skal det fastspændes, så det ikke ruller rundt. Ellers kan det medføre brændstoflækage og beskadigelse af udstyret og anden bagage.

Vedligeholdelse


- Få dit udstyr repareret på vores autoriserede servicecenter, hvor der altid anvendes originale reservedele. Forkert reparation og dårlig vedligeholdelse kan forkorte udstyrets levetid og forhøje risikoen for uheld.
- Inden der udføres vedligeholdelsesarbejde eller rengøring af udstyret, skal du altid slukke for motoren og fjerne tændørshætten eller batteripakken. Vent indtil motoren bliver kold.
- Udfør aldrig service på udstyret i nærheden af åben ild af hensyn til brandfare.
- Anvend altid beskyttelseshandsker ved håndtering af klingens.

- Rengør altid udstyret for støv og snavs. Brug aldrig benzin, benzen, fortynder, alkohol eller lignende til formålet. Det kan medføre misfarvning, deformation eller revner i plastikkomponenterne.
- Efter hver anvendelse skal alle skruer og møtrikker efterspændes, med undtagelse af karburatorjusteringsskruerne.
- Forsøg ikke at foretage nogen former for vedligeholdelse eller reparationer som ikke er beskrevet i dette hæfte eller i brugsanvisningen til drivenheden. Bed et autoriseret Dolmar-servicecenter om at udføre sådanne arbejder.
- Anvend kun originale reservedele og tilbehør fra Dolmar. Brug af dele eller tilbehør, som er leveret af en tredje part, kan medføre sammenbrud af udstyret, materielle skader og/eller alvorlig tilskadekomst.
- Bed et autoriseret Dolmar-servicecenter om at efterse og vedligeholde udstyret med regelmæssige mellemrum.

Opbevaring

- Foretag fuld rengøring og vedligeholdelse inden udstyret sættes til opbevaring. Fjern tændrørshætten eller batteripakken. Tøm motoren for brændstof, når den er kølet af. Afmonter skæreværktøjet.
- Hvis brændstoftanken skal tømmes, skal dette udføres udendørs.
- Opbevar udstyret på et tørt og højtbeliggende eller aflåst sted uden for børns rækkevidde.
- Læn ikke udstyret op ad noget andet som f.eks. en væg. Ellers kan den pludselig falde ned og forårsage personskade.

Førstehjælp

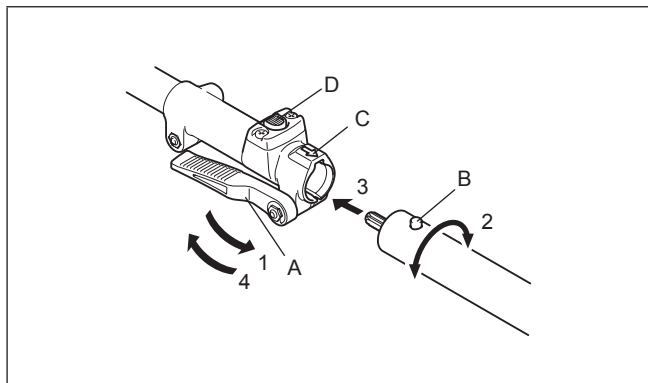
-  Hav altid en førstehjælpskasse i nærheden. Erstat straks de ting der benyttes fra førstehjælpskassen.
- Oplys følgende hvis du tilkalder hjælp:
 - Stedet hvor ulykken er sket
 - Hvad der er sket
 - Antallet af tilskadede personer
 - Hvad slags tilskadekomst
 - Dit navn

Samling og justering

ADVARSEL:

- Inden samling eller justering af udstyret skal du slukke for motoren og fjerne tændrørshætten eller batteripakken. Ellers kan skæreværktøjet eller andre dele begynde at køre og resultere i alvorlig tilskadekomst.
- Bær beskyttelseshandsker inden håndtering af klingen. Under montering eller justering kan dine fingre komme i kontakt med klingen, og det kan medføre alvorlig personskade.
- Læg altid udstyret ned ved samling eller justering. Samling eller justering af udstyret i en oprejst position kan medføre alvorlig tilskadekomst.
- Overhold advarslerne og forholdsreglerne i kapitlet "Sikkerhedsforholdsregler" og brugsanvisningen til drivenheden.

Montering af tilbehøret på en drivenhed



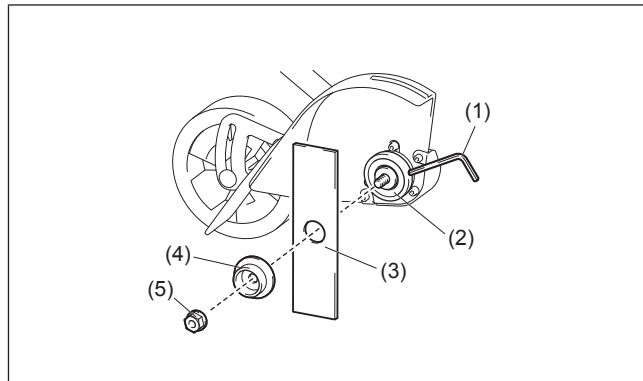
Følg trinene nedenfor for at montere tilbehøret på en drivenhed.

1. Sørg for at låsehåndtaget (A) ikke er spændt.
2. Ret stiften (B) ind efter pilemærket (C).
3. Sæt skafte ind i drivakslens på drivenheden indtil udløsningsknappen (D) springer ud.

4. Stram låsehåndtaget (A) ordentligt til som vist. For at afmontere tilbehøret skal du løsne låsehåndtaget, trykke på låseknappen og trække skafte ud.

BEMÆRK: Stram ikke låsehåndtaget (A) til, hvis tilbehørets skafte ikke er indsat. Ellers kan låsehåndtaget muligvis forårsage, at drivakslens indgang spændes for hårdt og beskadiges.

Montering og afmontering af klingen



1. Drej modtageskiven (2) så hullet i modtageskiven rettes ind med hullet i gearkassen.
2. Sæt unbrakonøglen (1) ind gennem hullet. Sørg for, at modtageskiven ikke drejer.
3. Hold i unbrakonøglen og drej møtrikken (5) med uret vha. en topnøgle.
4. Fjern møtrikken og spændestykket (4).
5. Placer klingen (3).
6. Sæt spændestykket og møtrikken tilbage.
7. Hold i unbrakonøgle og drej møtrikken mod uret for at fastgøre klingen.

Udfør trinene ovenfor i omvendt rækkefølge for at afmontere klingen.

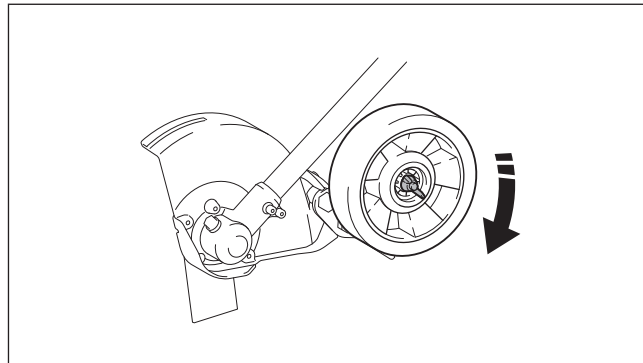
BEMÆRK: Møtrikken til fastspænding af klingen (med fjederskive) slides op med tiden. Hvis der kan ses slid eller deformation på møtrikken, skal du udskifte den.

Betjening

ADVARSEL:

- Hvis skæreværktøjet bevæger sig i tomgang, skal du justere motorens tomgangshastighed ned. Ellers kan du ikke stoppe skæreværktøjet ved at slippe gassen, og det kan forårsage alvorlig personskade.
- Overhold advarslerne og forholdsreglerne i kapitlet "Sikkerhedsforholdsregler" og brugsanvisningen til drivenheden.

Justering af klingedybden



- Løsn møtrikken på hjulet.
- Flyt hjulet og juster højden i henhold til betjeningen, og stram derefter møtrikken.

Tips til betjening

- Inden kantskæring skal du vande området for at blødgøre jorden og gøre kantskæringen nemmere.
- Inden kantskæring skal du kontrollere området og fjerne alle forhindringer og genstande, som kan blive kastet væk.

- Foretag kantskæring jævnligt for at gøre det nemmere at bevare en pæn kant og for at undgå at arbejde mere end én gang på det samme sted.

BEMÆRK:

- Klangedybden skal muligvis justeres pga. forskelle i højden mellem den hårde overflade og toppen af græsset.
- Juster klingens dybde så der skæres et fint snit mellem fortovet og græsset vha. en minimal klangedybde, normalt med ca. 13 mm af klingens nede i jorden.

Eftersyn og vedligeholdelse

⚠ ADVARSEL:

- Inden eftersyn eller vedligeholdelse af udstyret skal du slukke for motoren og fjerne tændrørshætten eller batteripakken. Ellers kan skæreværktøjet eller andre dele begynde at køre og resultere i alvorlig tilskadecomst.
- Læg altid udstyret ned ved eftersyn eller vedligeholdelse. Samling eller justering af udstyret i en oprejst position kan medføre alvorlig tilskadecomst.
- Overhold advarslerne og forholdsreglerne i kapitlet "Sikkerhedsforholdsregler" og brugsanvisningen til drivenheden.

Slibning af skæreværktøjet

⚠ ADVARSEL:

Du skal ikke slibe klingerne selv. Manuel slibning ødelægger klingens balance og kan medføre vibrationer og beskadige udstyret.

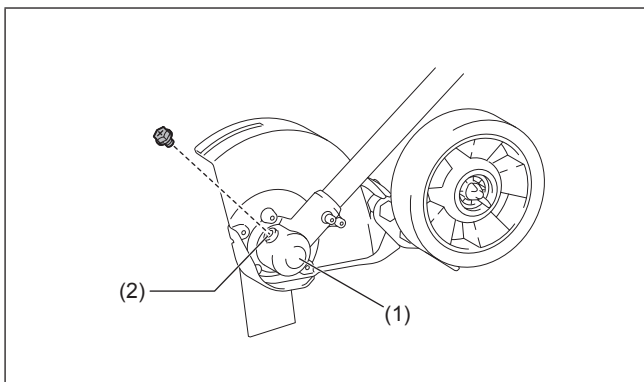
Bed et autoriseret Dolmar-servicecenter om at slibe og afbalancere sløve klinger.

Smøring af bevægelige dele

BEMÆRK: Følg instruktionen for smøringshyppighed og smørelsesmængde. Ellers kan utilstrækkelig smøring medføre beskadigelse af bevægelige dele.

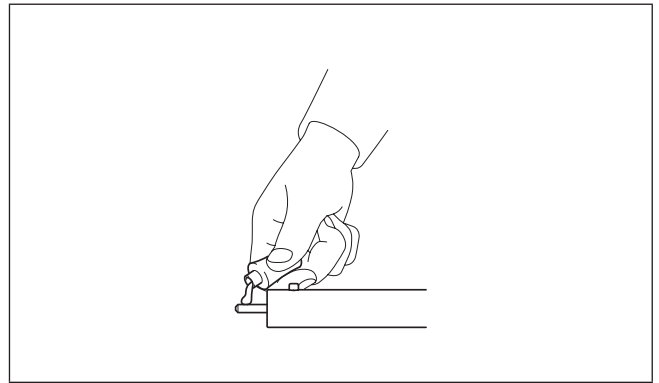
Gearkasse:

Tilføj smøremiddel (Shell Alvania 2 eller tilsvarende) til gearkassen (1) gennem smørehullet (2) hver 30 timers drift. (Ægte Dolmar-smøremiddel kan anskaffes fra din lokale Dolmar-forhandler.)



Drivaksel:

Tilføj smørelse (Shell Alvania nr. 2 eller tilsvarende) efter hver 30 timers anvendelse.



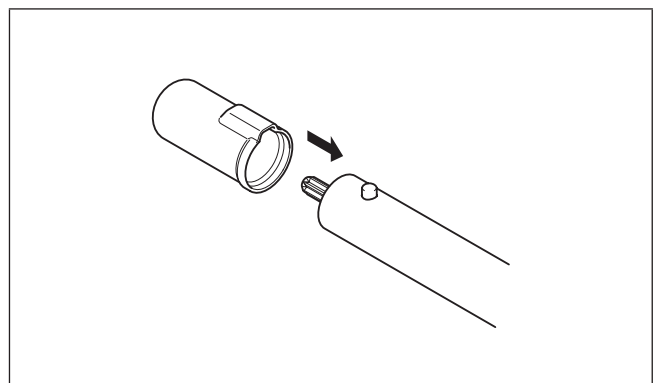
Overordnet eftersyn

- Spænd løse bolte, møtrikker og skruer.
- Kontroller beskadigede dele. Bed et autoriseret Dolmar-servicecenter om at udskifte dem.

Opbevaring

⚠ ADVARSEL:

Overhold advarslerne og forholdsreglerne i kapitlet "Sikkerhedsforholdsregler" og brugsanvisningen til drivenheden.



Når kantskærertilbehøret opbevares separat fra drivenheden, skal du sætte dækslet fast på enden af skaftet.

Vedligeholdelsesskema

| Driftstid | | Inden anvendelse | Dagligt (10 t) | 30 t | Om nødvendigt | Modsvarende side |
|--------------------------------------|---------------------------------------|------------------|----------------|------|---------------|------------------|
| Hele enheden | Efterse visuelt for beskadigede dele | ○ | | | | 57 |
| Alle fastgørelsesskruer og møtrikker | Stram | ○ | | | | 57 |
| Gearkasse | Tilføj smøremiddel | | | ○ | | 57 |
| Drivaksel | Tilføj smøremiddel | | | ○ | | 57 |
| Klinge | Efter visuelt for skader | ○ | ○ | | | 57 |
| Drivenhed | Se i brugsanvisningen til drivenheden | | | | | |

Fejlfinding

| Problem | Sandsynlig årsag | Afhjælpning |
|---|--|--|
| Motoren starter ikke. | Se i brugsanvisningen til drivenheden. | |
| Motoren stopper snart, efter den er startet. | | |
| Den maksimale hastighed er begrænset. | | |
| Skæreværktøjet roterer ikke. → Stop straks motoren! | Klingen er ikke strammet ordentligt. | Stram klingen ordentligt. |
| | Der sidder en gren fast mellem klingen og afskærmningen. | Fjern fremmedlegemerne. |
| | Drivsystemet fungerer ikke ordentligt. | Bed et autoriseret Dolmar-servicecenter om at efterse og reparere det. |
| Enheden vibrerer unormalt. → Stop straks motoren! | Klingen er bøjet, slidt eller brækket. | Udskift klingen med en ny. |
| | Klingen er ikke strammet ordentligt. | Stram klingen ordentligt. |
| | Klingen er ikke fastgjort på modtageskiven. | Monter klingen ordentligt. |
| | Drivsystemet fungerer ikke ordentligt. | Bed et autoriseret Dolmar-servicecenter om at efterse og reparere det. |
| Skæreværktøjet stopper ikke. → Stop straks motoren! | Drivenheden fungerer ikke ordentligt. | Se i brugsanvisningen til drivenheden. |

Tekniske data

| | | |
|--|----|-----------------|
| Model | | PE-CS |
| Mål (L x B x H) | mm | 878 x 131 x 291 |
| Nettovægt (Ikke inkl. afskærmning og klinge) | kg | 2,4 |
| Klangediameter | mm | 203 |
| Gearforhold | | 14/29 |

EF-overensstemmelseserklæring

(Kun for lande i Europa)

Undertegnede, Rainer Bergfeld, erklærer som autoriseret af Dolmar GmbH, at denne/disse DOLMAR-maskine(r):

Maskinens betegnelse: Kantskærertilbehør

Modelnummer/type: PE-CS

Specifikationer: se "Tekniske data"

er en produktionsserie og

Overholder følgende europæiske direktiv(er):

2006/42/EF

Og er produceret i overensstemmelse med følgende standard(er) eller standardiserede dokument(er):

ISO 11789

Den tekniske dokumentation opbevares på:

Dolmar GmbH

Jenfelder Straße 38, Abteilung FZ, D-22045 Hamburg

2. 7. 2013



Rainer Bergfeld
Administrerende direktør

Περιεχόμενα

| | Σελίδα |
|------------------------------------|--------|
| Περιεχόμενα..... | 60 |
| Πρόλογος..... | 60 |
| Σύμβολα | 60 |
| Εγκεκριμένα κινητήρια μονάδα | 61 |
| Περιγραφή εξαρτημάτων | 61 |
| Μέτρα ασφαλείας..... | 61 |
| Συναρμολόγηση και ρύθμιση..... | 63 |
| Λειτουργία..... | 64 |
| Επιθεώρηση και συντήρηση..... | 64 |
| Αποθήκευση | 65 |
| Πρόγραμμα συντήρησης | 66 |
| Επίλυση προβλημάτων | 66 |
| Τεχνικά στοιχεία | 66 |
| EK – Δήλωση συμμόρφωσης | 67 |

Πρόλογος

Σας ευχαριστούμε πολύ που αγοράσατε αυτό το προσάρτημα κόφτη άκρων της Dolmar. Το προσάρτημα αυτό είναι σχεδιασμένο για να στερεώνεται πάνω στην κινητήρια μονάδα της Dolmar που αναφέρθηκε προηγουμένως σε αυτό το εγχειρίδιο οδηγιών. Πριν από τη χρήση, παρακαλούμε διαβάστε αυτό το βιβλιάριο και το εγχειρίδιο οδηγιών της κινητήριας μονάδας. Αυτά θα σας βοηθήσουν να αποκτήσετε τα καλύτερα δυνατά αποτελέσματα από το προσάρτημα κόφτη άκρων της Dolmar.

Σύμβολα

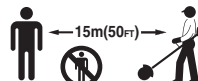
Τα παρακάτω σύμβολα χρησιμοποιούνται πάνω στο προσάρτημα και σε αυτό το εγχειρίδιο οδηγιών. Κατανοήστε αυτούς τους ορισμούς.



Δώστε ιδιαίτερη φροντίδα και προσοχή.



Διαβάστε το εγχειρίδιο οδηγιών.



Μην επιτρέπεται να υπάρχουν στο χώρο άλλα πρόσωπα



Φοράτε προστατευτικά για τα μάτια και τα αφτιά.



Να φοράτε προστατευτικά γάντια.



Φοράτε ανθεκτικές μπότες με αντιολισθητικές σόλες. Συνιστανται μπότες ασφαλείας με ενίσχυση στα άκρα των δακτύλων.



Απαγορεύεται!



Πρώτες βοήθειες

Εγκεκριμένη κινητήρια μονάδα

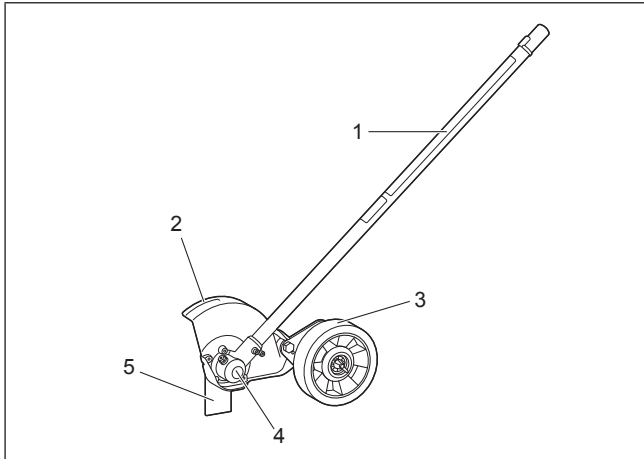
Το προσάρτημα αυτό είναι εγκεκριμένο για χρήση μόνο με την παρακάτω κινητήρια μονάδα(δες):

**CS-246.4C Βενζινοκίνητη κεφαλή πολλαπλών χρήσεων
AC-3600, AC-3610
Ασύρματη βενζινοκίνητη κεφαλή πολλαπλών
χρήσεων**

⚠️ ΠΡΟΕΙΔΟΠΟΙΗΣΗ:

Ποτέ να μην χρησιμοποιήσετε το προσάρτημα με μια μη εγκεκριμένη κινητήρια μονάδα. Ο μη εγκεκριμένος συνδυασμός μπορεί να προκαλέσει το σοβαρό τραυματισμό.

Περιγραφή εξαρτημάτων



Οι παρακάτω αριθμοί αναφέρονται στην εικόνα.

1. Άξονας
2. Θήκη λάμας
3. Τροχός
4. Κιβώτιο ταχυτήτων
5. Λάμα

Μέτρα ασφάλειας

⚠️ ΠΡΟΕΙΔΟΠΟΙΗΣΗ:

Διαβάστε όλες τις προειδοποιήσεις ασφαλείας και όλες τις οδηγίες σε αυτό το βιβλιάριο και το εγχειρίδιο οδηγιών της κινητήριας μονάδας. Αν δεν ακολουθήσετε όλες τις προειδοποιήσεις και τις οδηγίες, υπάρχει κίνδυνος ηλεκτροπληξίας, πυρκαγιάς ή/και σοβαρού τραυματισμού.

Φυλάξτε όλες τις προειδοποιήσεις και τις οδηγίες για μελλοντική αναφορά.

Οι όροι “κόφτης άκρων” και “συσκευή” στην ενότητα των προειδοποιήσεων και προφυλάξεων αφορούν το συνδυασμό του προσαρτήματος και της κινητήριας μονάδας. Ο όρος “κινητήρας” στην ενότητα των προειδοποιήσεων και των προφυλάξεων αναφέρεται στον κινητήρα ή στον ηλεκτρικό κινητήρα της κινητήριας μονάδας.

Προβλεπόμενη χρήση

- Αυτή η συσκευή προορίζεται μόνο και την κοπή των άκρων του γκαζόν σε συνδυασμό με μια εγκεκριμένη κινητήρια μονάδα. Ποτέ μην χρησιμοποιήσετε το προσάρτημα για άλλους σκοπούς. Η κατάχρηση του προσαρτήματος μπορεί να προκαλέσει σοβαρό τραυματισμό.

Γενικές προφυλάξεις

- Πριν την έναρξη λειτουργίας της συσκευής, διαβάστε αυτό το βιβλιάριο και το εγχειρίδιο οδηγιών της κινητήριας μονάδας για να εξοικειωθείτε με το χειρισμό της συσκευής.
- Να μην δανείτε το προσάρτημα σε ένα άτομο με ανεπαρκή πείρα ή γνώσεις σχετικά με το χειρισμό της συσκευής.
- Όταν δανείτε το προσάρτημα, πάντα να επισυνάπτετε το παρόν εγχειρίδιο οδηγιών.

- Μην αφήνετε τα παιδιά ή τους νέους κάτω των 18 ετών να χρησιμοποιούν τη συσκευή. Κρατήστε τους μακριά από τη συσκευή.
- Να χειρίζεστε τη συσκευή με τη μεγαλύτερη δυνατή φροντίδα και προσοχή.
- Ποτέ να μην χρησιμοποιήσετε τη συσκευή μετά από την κατανάλωση αλκοόλ ή φαρμάκων, ή εάν αισθανέστε κουρασμένοι ή είστε ασθενείς.
- Έχετε κατά νου ότι ο χρήστης ή ο χειριστής είναι υπεύθυνος για τα ατυχήματα ή τους κινδύνους που προκαλούνται στα άλλα άτομα ή στην ιδιοκτησία τους.
- Ποτέ μην επιχειρήσετε να τροποποιήσετε το προσάρτημα.
- Ακολουθήστε τους κανονισμούς περί τους χειρισμούς της συσκευής στη χώρα σας.

Προσωπικός προστατευτικός εξοπλισμός

- Φοράτε κράνος ασφαλείας, προστατευτικά γυαλιά και γάντια για να προστατεύετε τον εαυτό σας από θραύσματα που εκτινάσσονται ή αντικείμενα που πέφτουν.



- Φοράτε προστατευτικά αφτιών όπως ωτοασπίδες για την πρόληψη της απώλειας ακοής.
- Φοράτε τα κατάλληλα ρούχα και παπούτσια για την ασφαλή λειτουργία, όπως φόρμα εργασίας και ανθεκτικά αντιολισθητικά παπούτσια. Μη φοράτε φαρδιά ρούχα ή κοσμήματα. Υπάρχει κίνδυνος να εμπλακούν τα φαρδιά ρούχα, τα κοσμήματα ή τα μακριά μαλλιά στα κινούμενα μέρη.
- Όταν αγγίζετε τη λάμα κοπής, φοράτε προστατευτικά γάντια. Οι λάμες κοπής μπορούν να κόψουν τα γυμνά χέρια.

Ασφάλεια στο χώρο εργασίας

- Λειτουργήστε τη συσκευή μόνο υπό καλές συνθήκες ορατότητας και στο φως της ημέρας. Μην λειτουργείτε τη συσκευή στο σκοτάδι ή στην ομίχλη.
- Ξεκινήστε και θέστε τον κινητήρα σε λειτουργία μόνο σε εξωτερικούς χώρους σε μια καλά αεριζόμενη περιοχή. Η λειτουργία σε κλειστό ή ανεπαρκώς αεριζόμενο χώρο πορεί να οδηγήσει σε θάνατο λόγω της δηλητηρίασης από μονοξείδιο του άνθρακα ή ασφυξίας.
- Κατά τη λειτουργία, ποτέ να μην στέκεστε σε μια ασταθή ή ολισθηρή επιφάνεια ή σε απότομη πλαγιά. Κατά τη χειμερινή περίοδο, δώστε προσοχή στον πάγο και στο χιόνι και πάντα να διασφαλίζετε ένα ασφαλές πάτημα.
- Κατά τη λειτουργία, κρατήστε τους παρισταμένους ή τα ζώα, τουλάχιστον 15 μέτρα μακριά από τη συσκευή. Σταματήστε τον κινητήρα μόλις πλησιάζει κάποιος.
- Πριν από τη λειτουργία, εξετάστε την περιοχή εργασίας για ύπαρξη βράχων ή άλλων στερεών αντικειμένων. Μπορούν να πεταχτούν ή να προκαλέσουν επικίνδυνα κλωστήματα και να οδηγήσουν σε σοβαρό τραυματισμό και/ή βλάβη στην περιουσία.
- ⚠️ ΠΡΟΕΙΔΟΠΟΙΗΣΗ: Η χρήση αυτού του προϊόντος μπορεί να δημιουργήσει σκόνη που περιέχει χημικές ουσίες που μπορούν να προκαλέσουν αναπνευστικές ή άλλου είδους ασθένειες. Μερικά παραδείγματα τέτοιων χημικών ουσιών είναι οι ενώσεις που βρίσκονται στα φυτοφάρμακα, εντομοκτόνα, λιπάσματα και ζιζανιοκτόνα.

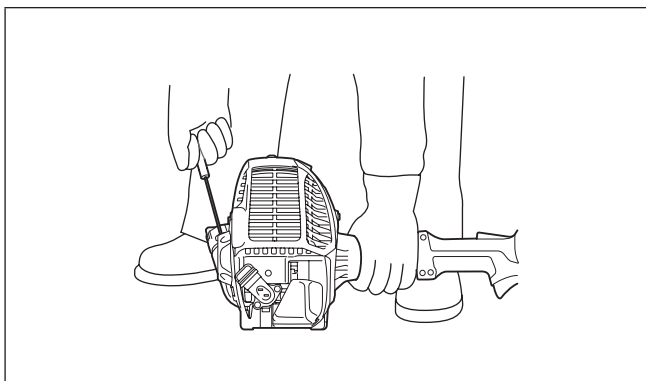
Ο κίνδυνος της έκθεσης σε αυτές τις ουσίες ποικίλλει, ανάλογα με το πόσο συχνά κάνετε τέτοιου είδους εργασίες. Για να μειώσετε την έκθεσή σας σε αυτές τις χημικές ουσίες: να εργάζεστε σε χώρο με καλό αερισμό και με εγκεκριμένο εξοπλισμό ασφαλείας, όπως προσωπίδες κατά της σκόνης που είναι ειδικά σχεδιασμένες να φιλτράρουν μικροσκοπικά σωματίδια.

Έναρξη της λειτουργίας

- Πριν από τη συναρμολόγηση ή την προσαρμογή της συσκευής, σβήστε τον κινητήρα και αφαιρέστε την πίδα του μπουζί ή την κασέτα μπαταρίας.
- Πριν τη συναρμολόγηση της λάμας κοπής να φοράτε προστατευτικά γάντια.
- Πριν από την έναρξη του κινητήρα, ελέγξτε τη συσκευή για ύπαρξη ζημιών, χαλαρές βίδες/παξιμάδια ή την ακατάλληλη συναρμολόγηση. Αν η λάμα κοπής είναι λυγισμένη ή κατεστραμμένη, αντικαταστήστε τη. Ελέγξτε αν λειτουργούν με ευκολία όλοι οι μοχλοί χειρισμού και οι διακόπτες. Καθαρίστε και στεγνώστε τις λαβές.
- Ποτέ μην επιχειρήσετε να ξεκινήσετε τον κινητήρα, αν η συσκευή έχει υποστεί ζημιά ή αν δεν είναι πλήρως συναρμολογημένος. Διαφορετικά μπορεί να προκληθεί σοβαρός τραυματισμός.
- Ρυθμίστε το λουρί του ώμου και τη λαβή χειρός σε συνάρτηση με το μέγεθος του σώματος του χειριστή.

Ξεκινώντας τον κινητήρα

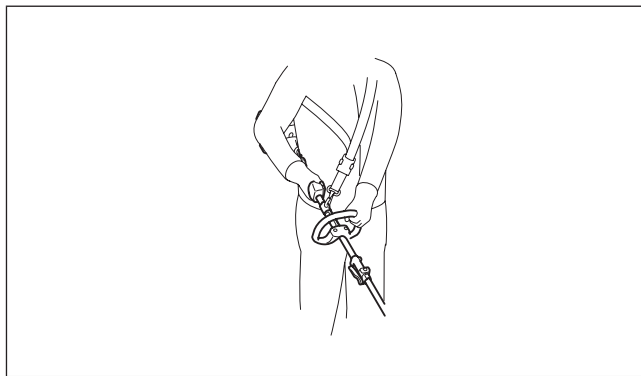
- Φορέστε τους προσωπικούς εξοπλισμούς πριν την εκκίνηση του κινητήρα.
- Ξεκινήστε τον κινητήρα τουλάχιστον 3 μέτρα (10 πόδια) μακριά από το σημείο ανεφοδιασμού καυσίμου.
- Πριν από την έναρξη του κινητήρα, βεβαιωθείτε ότι δεν υπάρχει άνθρωπος ή ζώο στο χώρο εργασίας.
- Κατά την εκκίνηση του κινητήρα ή κατά την εισαγωγή μιας κασέτας μπαταρίας, κρατήστε το κοπτικό εργαλείο μακριά από το σώμα σας και από άλλα αντικείμενα, συμπεριλαμβανομένου του εδάφους. Μπορεί να περιστραφεί κατά την εκκίνηση και να προκαλέσει τραυματισμό ή ζημιά στη συσκευή ή/και στην περιουσία.
- Τοποθετήστε τη συσκευή σε επίπεδο έδαφος. Διατηρήστε καλή ισορροπία και ασφαλές πάτημα.
- Όταν τραβάτε το κομπι εκκίνησης, κρατήστε κινητήρια μονάδα σταθερά πάνω στο έδαφος με το αριστερό σας χέρι. Ποτέ να μην βάζετε το πόδι σας πάνω στον άξονα μετάδοσης κίνησης της κινητήριας μονάδας.



- Ακολουθήστε τις οδηγίες χρήσης της κινητήριας μονάδας για την εκκίνηση του κινητήρα.
- Αν το κοπτικό εργαλείο περιστρέφεται στο ρελαντί, σταματήστε τον κινητήρα και ρυθμίστε προς τα κάτω την ταχύτητα του ρελαντί.

Λειτουργία

- Σε περίπτωση έκτακτης ανάγκης, σβήστε τον κινητήρα αμέσως.
- Αν αισθανθείτε οποιαδήποτε ασυνήθιστη κατάσταση (π.χ. θόρυβος, δονήσεις) κατά τη λειτουργία, σβήστε τον κινητήρα. Μην χρησιμοποιείτε τη συσκευή μέχρι να αναγνωριστεί και να επιλυθεί το πρόβλημα.
- Το κοπτικό εργαλείο συνεχίζει να κινείται για ένα μικρό χρονικό διάστημα μετά την αποδέσμευση της σκανδάλης του γκαζιού ή το σβήσιμο του κινητήρα. Μην βιαστείτε να ακουμπήσετε το κοπτικό εργαλείο.
- Με τον κινητήρα να λειτουργεί μόνο στο ρελαντί, συνδέστε το λουρί του ώμου.
- Κατά τη λειτουργία, χρησιμοποιήστε το λουρί του ώμου. Κρατήστε σταθερά τη συσκευή στη δεξιά σας πλευρά.



- Κρατήστε τη μπροστινή λαβή με το αριστερό χέρι και τη πίσω λαβή με το δεξί χέρι, δεν έχει σημασία αν είστε αριστερόχειρας ή δεξιόχειρας. Πιάστε με τα δάχτυλα και τους αντίχειρές σας τις λαβές.
- Ποτέ μην επιχειρήσετε να λειτουργήσετε τη συσκευή με το ένα χέρι. Η απώλεια ελέγχου μπορεί να οδηγήσει σε σοβαρό ή θανατηφόρο τραυματισμό. Για να μειώσετε τον κίνδυνο τραυματισμού, κρατήστε τα χέρια και τα πόδια σας μακριά από το κοπτικό εργαλείο.
- Μην τεντώνετε υπερβολικά. Να στέκεστε πάντοτε σταθερά και ισορροπημένα. Δώστε προσοχή στα κρυμμένα εμπόδια, όπως κούτσουρα, ρίζες και τάφροι για να μην σκοντάψετε.
- Ποτέ μην εργάζεστε πάνω σε μια σκάλα ή σε ένα δέντρο για να αποφευχθεί η απώλεια του ελέγχου.
- Εάν η συσκευή χτυπήσει δυνατά κατά την πτώση, ελέγξτε την κατάσταση πριν συνεχίσετε την εργασία. Ελέγξτε το σύστημα καυσίμου για ύπαρξη διαρροής καυσίμου αλλά και τα χειριστήρια και τις διατάξεις ασφαλείας για ύπαρξη δυσλειτουργίας. Εάν υπάρχει οποιαδήποτε ζημιά ή αν έχετε αμφιβολίες, επικοινωνήστε με ένα εξουσιοδοτημένο κέντρο επισκευών της Dolmar για επιθεώρηση και επισκευή.
- Μην ακουμπάτε το κιβώτιο ταχυτήτων. Το κιβώτιο ταχυτήτων ζεσταίνεται κατά τη λειτουργία.
- Ξεκουραστείτε για να μην χάσετε τον έλεγχο λόγω κόπωσης. Σας συνιστούμε να κάνετε 10 έως 20 λεπτά διάλειμμα κάθε ώρα.
- Όταν εγκαταλείπετε τη συσκευή, ακόμη και αν πρόκειται για ένα μικρό χρονικό διάστημα, να σβήνετε πάντοτε τον κινητήρα ή να αφαιρέτε την κασέτα μπαταρίας. Αν λειτουργεί ο κινητήρας και η συσκευή βρίσκεται χωρίς εποπτεία, τότε μπορεί να χρησιμοποιηθεί από μη εξουσιοδοτημένο άτομο και να προκληθεί σοβαρό ατύχημα.
- Ακολουθήστε τις οδηγίες χρήσης της κινητήριας μονάδας για την ορθή χρήση του μοχλού χειρισμού και του διακόπτη.
- Κατά τη διάρκεια ή μετά τη λειτουργία, μην βάλετε τη ζεστή συσκευή επάνω σε ξηρά χόρτα και εύφλεκτα υλικά.
- Αν χόρτο ή κλαδιά πιαστούν μεταξύ του κοπτικού εργαλείου και του προφυλακτήρα, πάντα να σταματάτε τον κινητήρα και να αφαιρέτε την πίδα του μπουζί ή την κασέτα μπαταρίας πριν από τον καθαρισμό. Διαφορετικά η ακούσια περιστροφή της λάμας μπορεί να προκαλέσει σοβαρό τραυματισμό.
- Εάν το κοπτικό εργαλείο χτυπήσει πέτρες ή άλλα σκληρά αντικείμενα, αμέσως κλείστε τον κινητήρα και επιθεωρήστε το κοπτικό εργαλείο.
- Ελέγχετε το κοπτικό εργαλείο συχνά κατά τη διάρκεια της λειτουργίας για ύπαρξη ρωγμών ή φθορών. Πριν από την επιθεώρηση, σβήστε τον κινητήρα και περιμένετε μέχρι να σταματήσει εντελώς το κοπτικό εργαλείο. Αντικαταστήστε αμέσως το κοπτικό εργαλείο που έχει υποστεί φθορά, ακόμη και αν έχει μόνο επιφανειακές ρωγμές.
- Ποτέ μην κόβετε επάνω από το ύψος της μέσης σας.
- Πριν ξεκινήσετε την εργασία κοπής, περιμένετε έως ότου το κοπτικό εργαλείο να φτάσει σε μια σταθερή ταχύτητα μετά το τράβηγμα της σκανδάλης.
- Πάντοτε να κρατάτε καλό βηματισμό στις πλαγιές.
- Περπατάτε, ποτέ να μην τρέχετε.
- Δώστε μεγάλη προσοχή όταν αναστρέψετε ή όταν τραβάτε τον κόφτη άκρων προς το μέρος σας.
- Βεβαιωθείτε ότι η λάμα έχει σταματήσει πριν περάσετε πάνω από επιφάνειες διαφορετικές από γρασιδί και κατά την μεταφορά του κόφτη άκρων από και προς την περιοχή της οποίας πρόκειται να κοπούν τα άκρα.
- Σταματήστε τον κινητήρα όποτε εγκαταλείπετε τον κόφτη άκρων.

Κοπτικά εργαλεία

- Ποτέ να μην χρησιμοποιήσετε ακατάλληλες λάμες συμπεριλαμβανομένων των μεταλλικών περιστροφικών αλυσίδων πολλαπλών τμημάτων και των αλωνιστικών λαμών. Μπορεί να προκληθεί σοβαρός τραυματισμός.
- Πάντοτε να χρησιμοποιείτε τον προφυλακτήρα του κοπτικού εργαλείου που ταιριάζει κατάλληλα με το χρησιμοποιούμενο κοπτικό εργαλείο.

Δόνηση

- Τα άτομα με κακό κυκλοφορικό σύστημα τα οποία εκτίθενται σε υπερβολικούς κραδασμούς μπορεί να παρουσιάσουν βλάβη στα αιμοφόρα αγγεία ή στο νευρικό σύστημα. Οι κραδασμοί ενδέχεται να προκαλέσουν τα ακόλουθα συμπτώματα στα δάχτυλα, τα χέρια ή τους καρπούς: “Κοίμηση” (μούδιασμα), μυρμήγκιασμα, πόνος, σουβλιές, αλλαγή χρώματος του δέρματος. Εάν έχετε οποιαδήποτε από αυτά τα συμπτώματα, επισκεφτείτε ένα γιατρό!
- Για να περιορίσετε τον κίνδυνο της “ασθένειας των άσπρων δακτύλων”, διατηρείτε τα χέρια σας ζεστά κατά τη λειτουργία και διατηρείτε σε καλή κατάσταση τη συσκευή και τα προσαρτήματα.

Μεταφορά

- Πριν από τη μεταφορά της συσκευής, σβήστε τον κινητήρα και αφαιρέστε την πίπα του μπουζί ή την κασέτα μπαταρίας. Αφαιρέστε το κοπτικό εργαλείο.
- Κατά τη μεταφορά της συσκευής, να τη μεταφέρετε σε οριζόντια θέση, κρατώντας τον άξονα. Κρατήστε το ζεστό σιγαστήρα μακριά από το σώμα σας.
- Κατά τη μεταφορά της συσκευής σε ένα όχημα, ασφαλίστε την σωστά ώστε να μην αναποδογυρίσει. Διαφορετικά μπορεί να προκληθεί διαρροή καυσίμων και φθορά της συσκευής και των άλλων αποσκευών.


Συντήρηση

- Επισκευάζετε τη συσκευή σας στο δικό μας εξουσιοδοτημένο κέντρο σέρβις, χρησιμοποιώντας πάντοτε αυθεντικά ανταλλακτικά. Η λανθασμένη επισκευή και η φτωχή συντήρηση μπορεί να μειώσει την διάρκεια της ωφέλιμης ζωής της συσκευής και να αυξήσει τον κίνδυνο ατυχημάτων.
- Πριν από την συντήρηση, την επισκευή ή το καθάρισμα της συσκευής, πάντοτε να σβήνετε τον κινητήρα και να αφαιρέσετε την πίπα του μπουζί ή την κασέτα μπαταρίας. Περιμένετε έως ότου να κρυώσει ο κινητήρας.
- Για να μειώσετε τον κίνδυνο πυρκαγιάς, ποτέ να μην εκτελείτε τη συντήρηση της συσκευής κοντά σε εστία φωτιάς.
- Πάντοτε να φοράτε προστατευτικά γάντια κατά τον χειρισμό της λάμας κοπής.
- Πάντοτε να καθαρίζετε τη σκόνη και τη βρωμιά από τη συσκευή. Μην χρησιμοποιήσετε ποτέ βενζίνη, βενζόλη, διαλυτικό, αλκοόλη ή κάτι παρόμοιο. Μπορεί να προκληθεί αποχρωματισμός, παραμόρφωση ή ρωγμές στα πλαστικά εξαρτήματα.
- Μετά από κάθε χρήση, σφίξτε όλες τις βίδες και τα παξιμάδια, εκτός από τις βίδες ρύθμισης του καρμπυρατέρ.
- Μην επιχειρήσετε οποιαδήποτε συντήρηση ή επισκευή, η οποία δεν περιγράφεται στο βιβλιário αυτό ή στο εγχειρίδιο οδηγιών της κινητήριας μονάδας. Επικοινωνήστε με ένα εξουσιοδοτημένο κέντρο σέρβις της Dolmar για τις εργασίες αυτές.
- Χρησιμοποιείτε πάντα γνήσια ανταλλακτικά και αξεσουάρ της Dolmar μόνο. Η χρήση αξεσουάρ ή εξαρτημάτων που παρέχονται από τρίτους μπορεί να οδηγήσει σε βλάβη της συσκευής, σε υλικές ζημιές ή/και σοβαρούς τραυματισμούς.
- Ζητήστε από ένα εξουσιοδοτημένο κέντρο σέρβις της Dolmar την τακτική επιθεώρηση και συντήρηση της συσκευής.

Αποθήκευση

- Πριν την αποθήκευση της συσκευής, εκτελέστε ένα πλήρη καθαρισμό και συντήρηση. Αφαιρέστε την πίπα του μπουζί ή την κασέτα μπαταρίας. Αποστραγγίστε το καύσιμο αφότου κρυώσει ο κινητήρας. Αφαιρέστε το κοπτικό εργαλείο.
- Αν πρέπει να αποστραγγιστεί το ρεζερβουάρ καυσίμου, η ενέργεια αυτή πρέπει να γίνει σε εξωτερικό χώρο.
- Αποθηκεύετε τη συσκευή σε ένα ξηρό χώρο, ο οποίος βρίσκεται ψηλά ή είναι κλειδωμένος ώστε να μην είναι προσβάσιμος στα παιδιά.
- Μην στηρίζετε τη συσκευή πάνω σε άλλα αντικείμενα, όπως ένας τοίχος. Σε αντίθετη περίπτωση ενδέχεται να πέσει ξαφνικά και να προκαλέσει τραυματισμό.

Πρώτες βοήθειες

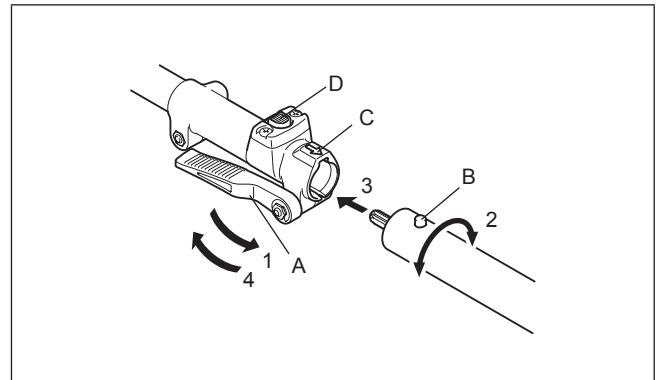
-  Πάντα να έχετε κοντά ένα κουτί πρώτων βοηθειών. Αντικαταστήστε αμέσως το οποιοδήποτε αντικείμενο που πάρθηκε από το κουτί των πρώτων βοηθειών.
- Με κάθε έκκληση για βοήθεια, να αναφέρετε τις ακόλουθες πληροφορίες:
 - Τόπος του ατυχήματος
 - Τι συνέβη
 - Αριθμός τραυματισμένων ατόμων
 - Φύση του τραυματισμού
 - Το όνομά σας

Συναρμολόγηση και ρύθμιση

ΠΡΟΕΙΔΟΠΟΙΗΣΗ:

- Πριν από τη συναρμολόγηση ή τη ρύθμιση της συσκευής, σβήστε τον κινητήρα και αφαιρέστε την πίπα του μπουζί ή την κασέτα μπαταρίας. Διαφορετικά, το κοπτικό εργαλείο ή τα άλλα μέρη μπορούν να κινηθούν και να οδηγήσουν σε σοβαρό τραυματισμό.
- Πριν τη συναρμολόγηση της λάμας κοπής να φοράτε προστατευτικά γάντια. Κατά τη συναρμολόγηση ή τη ρύθμιση, τα δάχτυλά σας μπορεί να έρθουν σε επαφή με τη λάμα κοπής και μπορεί να προκληθεί σοβαρός τραυματισμός.
- Κατά τη συναρμολόγηση ή τη ρύθμιση της συσκευής, πάντα να την τοποθετείτε κάτω. Η συναρμολόγηση ή η ρύθμιση της συσκευής σε όρθια θέση μπορεί να οδηγήσει σε σοβαρό τραυματισμό.
- Ακολουθήστε τις προειδοποιήσεις και τις προφυλάξεις στο κεφάλαιο “Μέτρα ασφαλείας” και το εγχειρίδιο οδηγιών της κινητήριας μονάδας.

Στερέωση του προσαρτήματος σε μια κινητήρια μονάδα



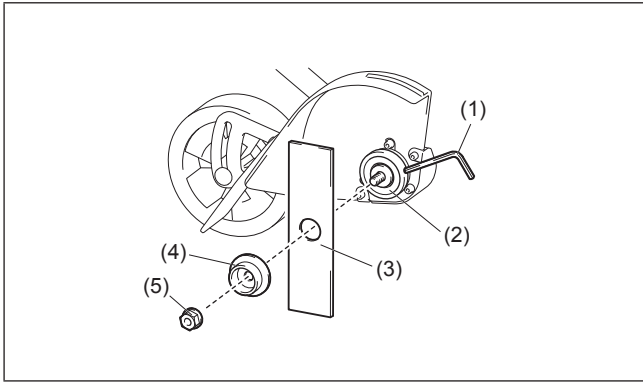
Για να στερεώσετε το προάρτημα σε μια κινητήρια μονάδα, ακολουθήστε τα παρακάτω βήματα.

1. Βεβαιωθείτε ότι ο μοχλός κλειδώματος (A) δεν είναι σφιγμένος.
2. Ευθυγραμμίστε την περόνη (B) με το σημείο του βέλους (C).
3. Εισάγετε τον άξονα μέσα στον κινητήριο άξονα της κινητήριας μονάδας έως ότου το κουμπί απελευθέρωσης (D) να πεταχτεί πάνω.
4. Σφίξτε το μοχλό κλειδώματος (A) γερά όπως φαίνεται.

Για να αφαιρέσετε το προάρτημα, ξεσφίξτε τον μοχλό κλειδώματος, πατήστε το κουμπί κλειδώματος και αφαιρέστε τον άξονα.

ΕΙΔΟΠΟΙΗΣΗ: Μην σφίγγετε τον μοχλό κλειδώματος (A) χωρίς να είναι μέσα ο άξονας του προσαρτήματος. Σε διαφορετική περίπτωση ο μοχλός κλειδώματος μπορεί να σφίξει υπερβολικά την είσοδο του κινητήριου άξονα και να την καταστρέψει.

Τοποθέτηση και αφαίρεση της λάμας



1. Περιστρέψτε τη ροδέλα υποδοχής (2) έτσι ώστε η οπή στη ροδέλα υποδοχής να ευθυγραμμιστεί με την οπή στο κιβώτιο ταχυτήτων.
2. Εισάγετε το εξάγ. κλειδί (1) μέσα στις οπές. Βεβαιωθείτε ότι η ροδέλα υποδοχής δεν περιστρέφεται.
3. Κρατώντας το εξάγ. κλειδί, περιστρέψτε το παξιμάδι (5) δεξιόστροφα χρησιμοποιώντας ένα σωληνωτό κλειδί.
4. Αφαιρέστε το παξιμάδι και το σφιγκτήρα (4).
5. Τοποθετήστε τη λάμα (3).
6. Επαναφέρετε το σφιγκτήρα και το παξιμάδι.
7. Κρατώντας το εξάγ. κλειδί, περιστρέψτε το παξιμάδι αριστερόστροφα για να στερεώσετε τη λάμα.

Για να αφαιρέσετε τη λάμα, εκτελέστε τα παραπάνω βήματα αντιστρόφως.

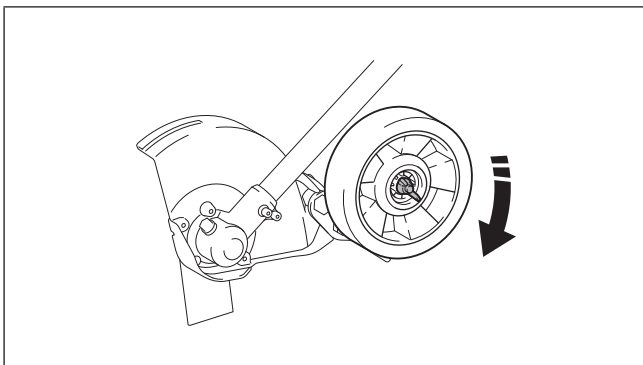
ΣΗΜΕΙΩΣΗ: Το παξιμάδι στερέωσης της λάμας κοπής (με τη ελατηριωτή ροδέλα) φθείρεται με τον καιρό. Εάν εμφανιστεί η οποιαδήποτε φθορά ή παραμόρφωση στο παξιμάδι αντικαταστήστε το.

Λειτουργία

⚠ ΠΡΟΕΙΔΟΠΟΙΗΣΗ:

- Αν το κοπτικό εργαλείο κινείται στο ρελαντί, ρυθμίστε προς τα κάτω την ταχύτητα ρελαντί του κινητήρα. Διαφορετικά δεν μπορείτε να σταματήσετε το κοπτικό εργαλείο έχοντας κλειστό το γκάζι και αυτό μπορεί να προκαλέσει σοβαρό τραυματισμό.
- Ακολουθήστε τις προειδοποιήσεις και τις προφυλάξεις στο κεφάλαιο "Μέτρα ασφαλείας" και το εγχειρίδιο οδηγιών της κινητήριας μονάδας.

Προσαρμογή του βάθους της λάμας



- Ξεσφίξτε το παξιμάδι στον τροχό.
- Μετακινήστε τον τροχό και ρυθμίστε το ύψος ανάλογα με τη λειτουργία και στη συνέχεια σφίξτε το παξιμάδι.

Συμβουλές λειτουργίας

- Πριν την κοπή των άκρων ρίξτε νερό στην περιοχή για να μαλακώσει το έδαφος και να κάνει ευκολότερη την κοπή των άκρων.
- Πριν την κοπή των άκρων ελέγξτε την περιοχή για να αφαιρέσετε όλα τα εμπόδια και τα αντικείμενα που θα μπορούσαν να εκσφενδονιστούν.
- Σχεδιάστε την τακτική κοπή των άκρων ώστε να είναι ευκολότερη η διατήρηση των καθαρών άκρων και η αποφυγή εκτέλεσης περισσότερων περασμάτων.

ΣΗΜΕΙΩΣΗ:

Το βάθος της λάμας μπορεί να ρυθμιστεί λόγω των διαφορών στο ύψος μεταξύ των σκληρών επιφανειών και της κορυφής του γρασιδιού.

- Ρυθμίστε το βάθος κοπής των λαμών για να πραγματοποιηθεί μια καλή κοπή μεταξύ του πεζοδρομίου και του γρασιδιού χρησιμοποιώντας το ελάχιστο βάθος κοπής της λάμας, συνήθως περίπου 13 mm (1/2") της λάμας μέσα στο έδαφος.

Επιθεώρηση και συντήρηση

⚠ ΠΡΟΕΙΔΟΠΟΙΗΣΗ:

- Πριν από την επιθεώρηση ή τη συντήρηση της συσκευής, να σβήνετε τον κινητήρα και να αφαιρέτε την πίπα του μπουζί ή την κασέτα μπαταρίας. Διαφορετικά, το κοπτικό εργαλείο ή τα άλλα μέρη μπορούν να κινηθούν και να οδηγήσουν σε σοβαρό τραυματισμό.
- Κατά τη συναρμολόγηση ή τη συντήρηση της συσκευής, πάντα να τη τοποθετείτε κάτω. Η συναρμολόγηση ή η ρύθμιση της συσκευής σε όρθια θέση μπορεί να οδηγήσει σε σοβαρό τραυματισμό.
- Ακολουθήστε τις προειδοποιήσεις και τις προφυλάξεις στο κεφάλαιο "Μέτρα ασφαλείας" και το εγχειρίδιο οδηγιών της κινητήριας μονάδας.

Ακόνισμα του κοπτικού εργαλείου

⚠ ΠΡΟΕΙΔΟΠΟΙΗΣΗ:

Μην ακονίζετε τις λάμες κοπής μόνοι σας. Το ακόνισμα της λάμας κοπής με το χέρι θα προκαλέσει ανισορροπίες που μπορούν να οδηγήσουν σε κραδασμούς και ζημιά στη συσκευή.

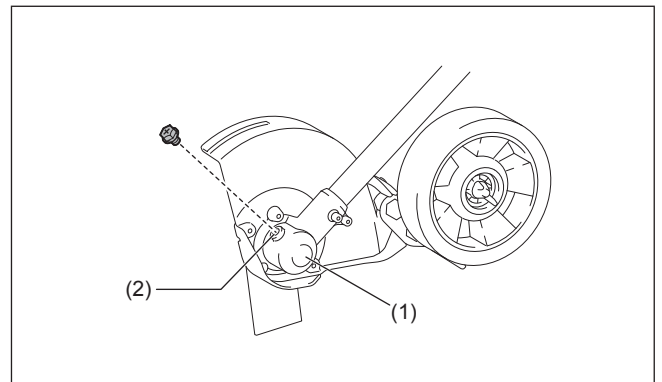
Ζητήστε από ένα εξουσιοδοτημένο κέντρο εξυπηρέτησης της Dolmar να ακονίσει και να ζυγοσταθμίσει ξανά τις αμβλύες λάμες κοπής.

Λίπανση κινούμενων μερών

ΕΙΔΟΠΟΙΗΣΗ: Ακολουθήστε τις οδηγίες σχετικά με την ποσότητα του γράσου και τη συχνότητα παροχής του. Διαφορετικά η ανεπαρκής λίπανση μπορεί να προκαλέσει βλάβη στα κινητά μέρη.

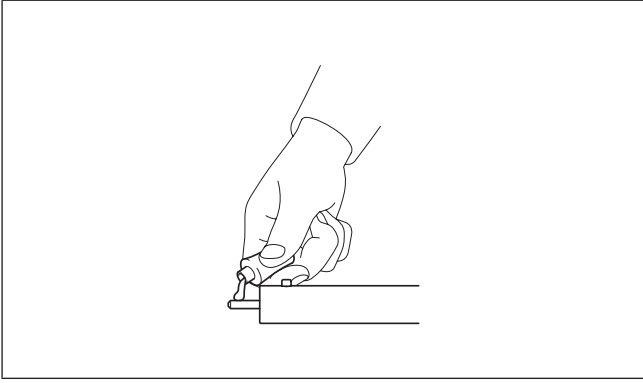
Κιβώτιο ταχυτήτων:

Βάλτε γράσο (Shell Alvania 2 ή ισοδύναμο) στο κιβώτιο ταχυτήτων (1) μέσα από την τρύπα του γράσου (2) κάθε 30 ώρες λειτουργίας. (Το αυθεντικό γράσο Dolmar μπορεί να αγοραστεί από τον τοπικό αντιπρόσωπο της Dolmar.)



Κινητήριος άξονας:

Βάλτε γράσο (Shell Alvania Ap. 2 ή ισοδύναμο) κάθε 30 ώρες λειτουργίας.



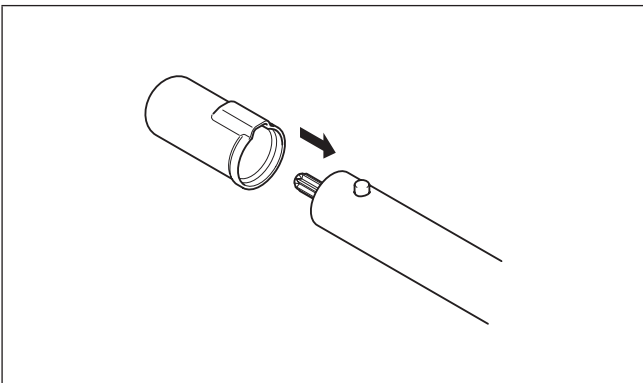
Γενική επιθεώρηση

- Σφίξτε τα ξεσφιγμένα μπουλόνια, τα παξιμάδια και τις βίδες.
- Ελέγξτε για μέρη που έχουν υποστεί ζημιά. Ζητήστε να αντικατασταθούν από ένα εξουσιοδοτημένο κέντρο σέρβις της Dolmar.

Αποθήκευση

ΠΡΟΕΙΔΟΠΟΙΗΣΗ:

Ακολουθήστε τις προειδοποιήσεις και τις προφυλάξεις στο κεφάλαιο "Μέτρα ασφαλείας" και το εγχειρίδιο οδηγιών της κινητήριας μονάδας.



Βάλτε το καπάκι στο άκρο του άξονα κατά την αποθήκευση του προσαρτήματος κόφτη άκρων όταν είναι αποσυνδεδεμένο από την κινητήρια μονάδα.

Πρόγραμμα συντήρησης

| Ώρες λειτουργίας | | Πριν τη λειτουργία | Ημερησίως (10 ώρες) | 30 ώρες | Εάν απαιτείται | Αντίστοιχη σελίδα |
|--|---|--------------------|---------------------|---------|----------------|-------------------|
| Ολόκληρη η συσκευή | Επιθεωρήστε οπτικώς για ύπαρξη κατεστραμμένων τμημάτων | ○ | | | | 65 |
| Όλες οι βίδες στερέωσης και τα παξιμάδια | Σφίξτε | ○ | | | | 65 |
| Κιβώτιο ταχυτήτων | Γρασάρισμα | | | ○ | | 64 |
| Κινητήριος άξονας | Γρασάρισμα | | | ○ | | 64 |
| Λάμα κοπής | Επιθεωρήστε οπτικώς για την ύπαρξη ζημιάς | ○ | ○ | | | 64 |
| Κινητήρια | Ανατρέξτε στο εγχειρίδιο χειρισμού της κινητήριας μονάδας | | | | | |

Επίλυση προβλημάτων

| Πρόβλημα | Πιθανή αιτία | Λύση |
|--|--|--|
| Ο κινητήρας δεν ξεκινά. Ο κινητήρας σταματά αμέσως μετά την έναρξή του. Η μέγιστη ταχύτητα είναι περιορισμένη. | Ανατρέξτε στο εγχειρίδιο χειρισμού της κινητήριας μονάδας. | |
| Το κοπτικό εργαλείο δεν περιστρέφεται. → Σταματήστε τον κινητήρα αμέσως! | Η λάμα κοπής δεν είναι σφιγμένη καλά. Έχει μπλοκάρει ένα κλαδί μεταξύ της κοπτικής λάμας και του προφυλακτήρα. Το σύστημα κίνησης δεν λειτουργεί σωστά. | Σφίξτε καλά την λάμα κοπής. Αφαιρέστε το ξένο αντικείμενο. Ζητήστε από ένα εξουσιοδοτημένο κέντρο σέρβις της Dolmar να το επιθεωρήσει και να το επισκευάσει. |
| Η μονάδα υφίσταται ανώμαλη δόνηση. → Σταματήστε τον κινητήρα αμέσως! | Η λάμα κοπής έχει λυγίσει, είναι φθαρμένη ή έχει σπάσει. Η λάμα κοπής δεν είναι σφιγμένη καλά. Η λάμα κοπής δεν είναι τοποθετημένη πάνω στη ροδέλα υποδοχής. Το σύστημα κίνησης δεν λειτουργεί σωστά. | Αντικαταστήστε τη λάμα κοπής με μια καινούργια. Σφίξτε καλά την λάμα κοπής. Τοποθετήστε κατάλληλα την λάμα κοπής. Ζητήστε από ένα εξουσιοδοτημένο κέντρο σέρβις της Dolmar να το επιθεωρήσει και να το επισκευάσει. |
| Το κοπτικό εργαλείο δεν σταματά. → Σταματήστε τον κινητήρα αμέσως! | Η κινητήρια μονάδα δεν λειτουργεί σωστά. | Ανατρέξτε στο εγχειρίδιο χειρισμού της κινητήριας μονάδας. |

Τεχνικά στοιχεία

| | | |
|---|----|-----------------|
| Μοντέλο | | PE-CS |
| Διαστάσεις (Μ x Π x Υ) | mm | 878 x 131 x 291 |
| Καθαρό βάρος (Δεν περιλαμβάνεται το προστατευτικό και η λάμα) | kg | 2,4 |
| Διάμετρος λάμα κοπής | mm | 203 |
| Σχέση μετάδοσης | | 14/29 |

EK – Δήλωση συμμόρφωσης

(Για τις Ευρωπαϊκές χώρες μόνο)

Ο υπογεγραμμένος, Rainer Bergfeld, λαμβάνοντας εξουσιοδότηση από την Dolmar GmbH, δηλώνει ότι το μηχάνημα(-τα) της DOLMAR:

Ονομασία μηχανήματος: Προσάρτημα κόφτη άκρων

Αρ. Μοντέλου/ Τύπος: PE-CS

Προδιαγραφές: δείτε τα "Τεχνικά στοιχεία"

αποτελούν παραγωγή σε σειρά και

Συμμορφώνεται με την ακόλουθη Ευρωπαϊκή Οδηγία(ες):
2006/42/EK

Και κατασκευάζεται σύμφωνα με το παρακάτω πρότυπο(α) ή τυποποιημένο έγγραφο(α):

ISO 11789

Τα τεχνικά έγγραφα βρίσκονται στο αρχείο στην:

Dolmar GmbH,

Jenfelder Straße 38, Abteilung FZ, D-22045 Hamburg

2. 7. 2013



Rainer Bergfeld
Διευθύνων Σύμβουλος

İçindekiler

| | Sayfa |
|--------------------------|--------------|
| İçindekiler | 68 |
| Önsöz | 68 |
| Simgeler | 68 |
| Onaylı güç başlığı..... | 69 |
| Parça tanımı | 69 |
| Güvenlik önlemleri..... | 69 |
| Kurulum ve ayarlar | 71 |
| Çalıştırma | 71 |
| Kontroller ve bakım..... | 72 |
| Saklama..... | 72 |
| Bakım programı | 73 |
| Sorun Giderme | 73 |
| Teknik Veriler | 73 |
| AT Uygunluk Beyanı | 74 |

Önsöz

Dolmar kenar ataşmanını satın aldığınız için teşekkür ederiz. Bu ataşman bu kullanım kılavuzunda belirtilen Dolmar güç başlığına takılmak üzere tasarlanmıştır. Kullanmaya başlamadan önce, lütfen bu kılavuzu ve güç başlığının kullanım kılavuzunu okuyun. Bu kılavuzlar, Dolmar kenar ataşmanından mümkün olan en iyi sonuçları almanıza yardımcı olacaktır.

Simgeler

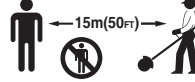
Ataşman üzerinde ve bu kullanım kılavuzunda kullanılan simgeler aşağıda açıklanmıştır. Bu tanımları dikkatlice okuyun.



Gerekli önlemleri alın ve dikkatli olun.



Kullanım kılavuzunu okuyun.



İşi olmayan insanları çalışma alanından uzaklaştırın



Koruyucu gözlük ve kulaklık kullanın.



Koruyucu eldiven takın.



Altı kaymayan sağlam ayakkabılar giyin. Çelik uçlu koruyucu ayakkabılar tavsiye edilir.



Yasak!



İlk Yardım

Onaylı güç başlığı

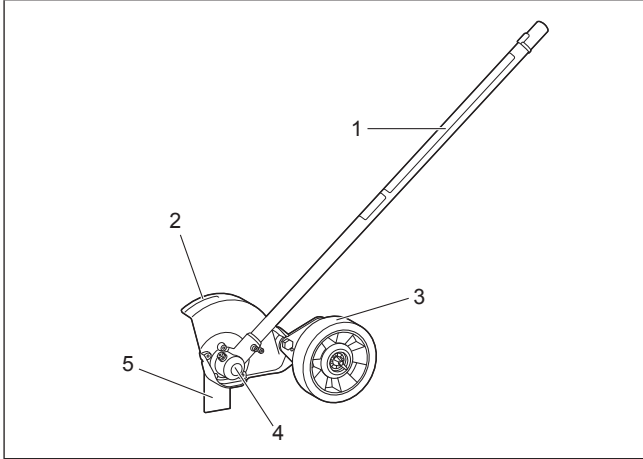
Bu ataşmanın yalnızca şu güç başlığıyla (başlıklarıyla) kullanımı onaylanmıştır:

CS-246.4C Çok fonksiyonlu güç başlığı
AC-3600, AC-3610 Akülü çok fonksiyonlu güç başlığı

⚠ UYARI:

Ataşmanı kesinlikle onaylı olmayan güç başlıklarıyla kullanmayın. Onaylı olmayan bir güç başlığı ve ataşman kombinasyonu ciddi yaralanmalara yol açabilir.

Parça tanımı



Aşağıdaki parça numaraları yukarıdaki şekle karşılık gelir.

1. Şaft
2. Bıçak muhafazası
3. Çark
4. Dişli kutusu
5. Bıçak

Güvenlik önlemleri

⚠ UYARI:

Bu kılavuzda ve güç başlığının kullanım kılavuzunda açıklanan tüm güvenlik uyarılarını ve tüm talimatları okuyun. Verilen uyarılara ve talimatlara uyulmaması elektrik çarpmasına, yangına ve/veya ciddi yaralanmalara yol açabilir.

Tüm uyarıları ve talimatları ileride başvurmak üzere saklayın.

Uyarı ve önlemlerde kullanılan "kenar ataşmanı" ve "makine" terimleri, ataşman ile güç başlığı kombinasyonunu ifade eder. Uyarı ve önlemlerde kullanılan "motor" terimi ise güç başlığının motorunu veya elektrik motorunu ifade eder.

Kullanım amacı

- Bu makine yalnızca onaylı bir güç başlığıyla birlikte çimlerin kenar kesimlerinin gerçekleştirilmesi için tasarlanmıştır. Bu ataşmanı kesinlikle başka bir amaçla kullanmayın. Aksi takdirde, ciddi yaralanmalar meydana gelebilir.

Genel önlemler

- Makineyi kullanmaya başlamadan önce, makinenin nasıl kullanılacağı gerektiğini öğrenmek için bu kılavuzu ve güç başlığının kullanım kılavuzunu okuyun.
- Ataşmanı, makinenin kullanımı konusunda yeterli bilgiye ve deneyime sahip olmayan kişilere vermeyin.
- Ataşmanı verirken daima bu kullanım kılavuzunu da beraberinde verin.
- Çocukların ve 18 yaşından küçük gençlerin bu makineyi kullanmasına izin vermeyin. 18 yaşından küçük kişileri makineden uzak tutun.
- Bu makineyi çok hassas ve dikkatli bir şekilde kullanın.
- Makineyi kesinlikle alkol, uyuşturucu madde veya ilaç kullandıktan sonra veya kendinizi yorgun veya hasta hissediyorsanız kullanmayın.

- Yaralanmalar veya mal kayıplarıyla sonuçlanan kazalardan veya tehlikelerden tek başına operatörün veya kullanıcının sorumlu olacağına dikkat edin.
- Ataşman üzerinde kesinlikle değişiklik yapmaya çalışmayın.
- Ülkenizde bu makinenin kullanımı konusunda yürürlükte olan yönetmeliklere uyun.

Kişisel koruyucu ekipmanlar

- Sıçrayan yabancı maddelere veya düşen nesnelere karşı kendinizi korumak için koruyucu baret, koruyucu gözlük ve koruyucu eldiven takın.



- İşitme kaybını önlemek için koruyucu kulaklık kullanın.
- Güvenli çalışabilmek için, örneğin iş tulumları ve altı kaymayan sağlam ayakkabılar vb. gibi uygun kıyafetler ve ayakkabı giyin. Bol giysiler ve sallanan takılar kullanmayın. Bol giysileriniz, takılarınız ve uzun saçlarınız hareketli parçalara kapılabilir.
- Kesici bıçağa dokunmadan önce koruyucu eldiven takın. Kesici bıçaklar, çıplak olması halinde ellerinizi ciddi şekilde kesebilir.

Çalışma alanı güvenliği

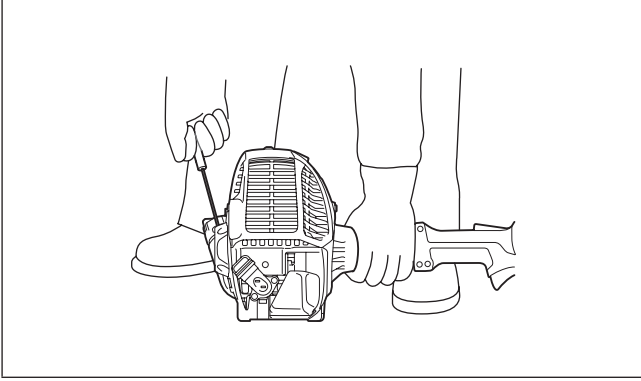
- Makineyi yalnızca gün ışığında ve görüşün açık olduğu durumlarda çalıştırın. Makineyi karanlıkta veya sisli havalarda çalıştırmayın.
- Motoru yalnızca dışarıda, iyi havalandırılan bir alanda çalıştırın. Motorun sıkışık veya iyi havalandırılmayan bir alanda çalıştırılmayı, boğulma veya karbon monoksit zehirlenmesi neticesi ölümlere yol açabilir.
- Çalıştırma sırasında kesinlikle kaygan yüzeyler veya dik alanlarda durmayın. Kış mevsiminde buza ve kara dikkat edin ve yere daima sağlam ve dengeli basın.
- Çalışma sırasında etraftaki kişileri ve hayvanları makineden en az 15 m uzakta tutun. Birisi yaklaştığında motoru derhal durdurun.
- Çalışmaya başlamadan önce çalışma alanında taşlar ve benzeri sert nesnelere olup olmadığını kontrol edin. Aksi takdirde, sıçrayarak veya tehlikeli şekilde geri tepmeye neden olarak ciddi yaralanmalara ve/veya mal kayıplarına yol açabilirler.
- ⚠ UYARI: Bu ürünün kullanımı sonucu, solunum yolu hastalıklarına veya diğer hastalıklara yol açabilecek kimyasal maddeler içeren tozlar açığa çıkabilir. Zirai ilaçlar, böcek ilaçları, gübreler ve zararlı bitki ilaçlarında bulunan çeşitli maddeler bu kimyasal maddelere örnek olarak gösterilebilir. Bu maruziyete ilişkin riskiniz bu tip işleri ne sıklıkla yaptığınıza göre değişir. Bu kimyasal maddelere maruziyetinizi azaltmak için: iyi havalandırılan bir ortamda çalışın ve mikroskobik partiküllerin tutulması için özel olarak tasarlanmış toz maskeleri vb. gibi kişisel koruyucu ekipmanlar kullanın.

İlk çalıştırma

- Makineyi monte etmeye veya ayarlamaya başlamadan önce, motoru kapalı konuma getirin ve buji kapağını veya aküyü çıkartın.
- Kesici bıçakla ilgili herhangi bir işlem yapmadan önce koruyucu eldiven takın.
- Motoru çalıştırmadan önce makinede hasar veya gevşek vida/somun olup olmadığını ve kurulumunun doğru yapıldığı yapılmadığını kontrol edin. Kesici bıçak bükülmüş veya hasar görmüşse, değiştirin. Tüm kontrol mandallarının ve düğmelerinin doğru çalıştığını kontrol edin. Sapları temizleyin ve kurulayın.
- Makine hasarlıysa veya doğru şekilde monte edilmemişse kesinlikle motoru çalıştırmayı denemeyin. Aksi takdirde, ciddi yaralanmalar meydana gelebilir.
- Omuz askısını ve kavrama sapını kullanıcının vücut ölçülerine göre ayarlayın.

Motorun çalıştırılması

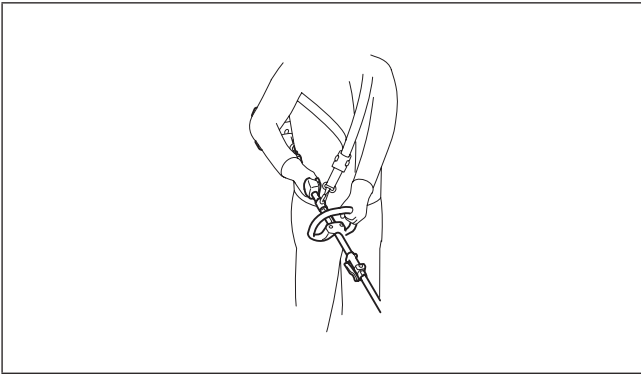
- Motoru çalıştırmadan önce kişisel koruyucu ekipmanlarınızı takın.
- Motoru, yakıt doldurulan noktadan en az 3 metre (10 fit) uzakta çalıştırın.
- Motoru çalıştırmadan önce, çalışma alanında başkalarının veya hayvanların bulunmadığından emin olun.
- Motoru çalıştırırken veya aküyü takarken, kesici aleti gövdenizden ve zemin de dahil diğer nesnelere uzakta tutun. Kesici alet, çalıştırma sırasında hareket edebilir ve yaralanmalara, makine hasarlarına ve/veya diğer maddi hasarlara neden olabilir.
- Makineyi sağlam bir zemin üzerine bırakın. Dengenizi koruyun ve yere sağlam basın.
- Marş kolunu çekerken, güç başlığını sol ayağınızla zemine sağlam şekilde bastırın. Kesinlikle güç başlığının tahrik şaftına basmayın.



- Motorun çalıştırılması için, güç başlığının kullanım kılavuzuna bakın.
- Kesici alet rölantide dönyorsa, motoru durdurun ve rölanti hızını düşürün.

Çalıştırma

- Acil bir durumda motoru derhal durdurun.
- Çalışma sırasında anormal bir durum (örn. gürültü, titreşim) hissederseniz, motoru derhal durdurun. Bu durumun nedeni bulunup çözülene kadar makineyi kullanmayın.
- Kısmi mandalı serbest bırakıldıktan veya motor kapalı konuma getirildikten sonra kesici alet kısa bir süre daha dönmeye devam edecektir. Bu nedenle, kesici alete dokunmak için acele etmeyin.
- Omuz askısını mutlaka motor rölantide çalışırken takın.
- Çalışma sırasında mutlaka omuz askısını kullanın. Makineyi sağ tarafınızda sıkıca tutun.



- İster solak, ister sağlak olun makinenin ön sapını sol elinizle ve arka sapını sağ elinizle kavrıyın. Parmaklarınızı ve baş parmağınızı saplar etrafına kenetleyin.
- Makineyi kesinlikle tek elle kullanmaya çalışmayın. Kontrolü kaybetmeniz ciddi ve hatta ölümcül kazalara yol açabilir. Yaralanma riskini azaltmak için, ellerinizi ve ayaklarınızı kesici aletten uzak tutun.
- Fazla ileriye uzanmaya çalışmayın. Her zaman yere sağlam basın ve dengenizi koruyun. Tökezlememek için ağaç kütükleri, kökler ve hendekler gibi gizli engellere dikkat edin.
- Kontrolünüzü kaybetmemek için kesinlikle merdiven veya ağaç üzerinde çalışmayın.
- Makine ağır bir darbe alırsa veya düşerse, çalışmaya devam etmeden önce durumunu kontrol edin. Yakıt kaçağı olup olmadığını tespit etmek için yakıt sistemini ve arıza olup

olmadığını tespit etmek için kontrol ve güvenlik cihazlarını kontrol edin. Herhangi bir hasar veya şüphelendiğiniz bir durum varsa, Dolmar yetkili servis merkezine kontrol ve onarım talebinde bulunun.

- Dişli kutusuna dokunmayın. Dişli kutusu, çalışma sırasında ısınır.
- Yorgunluk nedeniyle kontrolünüzü kaybetmemek için düzenli olarak mola verin. Her saat başı 10 ila 20 dakika mola vermenizi öneririz.
- Kısa süre de olsa makinenin başından ayrılırken mutlaka motoru kapalı konuma getirin veya aküsünü çıkartın. Motoru çalışırken makinenin başından ayrılmanız halinde, makine yetkili olmayan bir kişi tarafından kullanılabilir ve neticesinde ciddi kazalar meydana gelebilir.
- Kontrol mandalının ve düşmesinin doğru kullanımı için, güç başlığının kullanım kılavuzuna bakın.
- Çalışma sırasında sıcak makineyi kuru çimler veya tutuşabilir malzemeler üzerine bırakmayın.
- Kesici alet ile muhafaza arasına çim veya dal sıkışırsa, tıkanıklığı gidermeye başlamadan önce mutlaka motoru durdurun ve buji kapağını veya aküyü çıkartın. Aksi takdirde, bıçağın kazara dönmesi ciddi yaralanmalara neden olabilir.
- Kesici aletin taşa veya benzeri sert bir cisme çarpması halinde, derhal motoru durdurun ve kesici aleti kontrol edin.
- Çalışma sırasında kesici alette çatlak veya hasar olup olmadığını sık sık kontrol edin. Kontrol etmeden önce, motoru kapalı konuma getirin ve kesici alet tamamen duruncaya kadar bekleyin. Yalnızca yüzeysel çatlaklar içeriyor olsa bile hasarlı kesici aleti derhal değiştirin.
- Asla bel hizanızın üzerinde kesim yapmayın.
- Kesme işlemine başlamadan önce, açma/kapama düşmesine bastıktan sonra kesici aletin sabit bir hıza ulaşmasını bekleyin.
- Eğimli yerlerde mutlaka yere sağlam ve dengeli basın.
- Makineyi yürüyerek çalıştırın, kesinlikle koşmayın.
- Kenar ataşmanının yönünü değiştirirken veya kendinize doğru çekerken çok dikkatli olun.
- Çim dışındaki yüzeyler üzerinden geçerken ve kenar ataşmanını çalışılacak alana veya alandan taşırken bıçağın durduğundan emin olun.
- Kenar ataşmanının başından ayrılırken daima motoru durdurun.

Kesici aletler

- Çok parçalı metal hareketli zincirler ve harman bıçakları da dahil, kesinlikle uygun olmayan bıçaklar kullanmayın. Akdi takdirde, ciddi yaralanmalar meydana gelebilir.
- Daima, kullandığınız kesici alet için uygun kesici alet muhafazasını kullanın.

Titreşim

- Kan dolaşımı zayıf olan kişilerin aşırı titreşime maruz kalması, damarların veya sinir sisteminin zarar görmesine yol açabilir. Titreşim parmaklarda, ellerde ve bileklerde şu semptomlara neden olabilir: "Uyuşma" (hissizlik), karıncalanma, ağrı, batma hissi, cilt renginin veya cildin değişmesi. Bu semptomlardan herhangi biri ortaya çıkarsa, doktora başvurun!
- "Beyaz parmak hastalığı" riskini düşürmek için, çalışma sırasında ellerinizi sıcak tutun ve makine ve aksesuarlarının bakımını gerektiği şekilde yapın.

Taşıma

- Makineyi taşımadan önce, motoru kapalı konuma getirin ve buji kapağını veya aküyü çıkartın. Kesici aleti çıkartın.
- Makineyi mutlaka şaftından tutarak yatay konumda taşıyın. Sıcak susturucuyu vücudunuzdan uzakta tutun.
- Makineyi bir araçla taşırken, devrilmemesi için sağlam şekilde sabitleyin. Aksi takdirde, yakıt dökülebilir ve makine ve araçtaki diğer yükler hasar görebilir.

Bakım


- Makinenizin servisinin mutlaka yetkili servis merkezinde yalnızca orijinal yedek parçalar kullanılarak yapıldığından emin olun. Yanlış onarım ve kötü bakım makinenin ömrünü kısaltabilir ve kaza riskini artırabilir.
- Makinede herhangi bir bakım, onarım veya temizlik çalışması gerçekleştirmeden önce, motoru kapalı konuma getirin ve buji kapağını veya aküyü çıkartın. Motor soğuyana kadar bekleyin.
- Yangın riskini düşürmek için, makinenin servis işlemlerini kesinlikle ateş yakınında gerçekleştirmeyin.
- Kesici bıçağı taşırken daima koruyucu eldiven takın.

- Daima makine üzerindeki tozu ve kiri temizleyin. Bu işlem için kesinlikle gazolin, benzin, tiner, alkol veya benzeri bir madde kullanmayın. Aksi takdirde, plastik parçalarda renk değişimi, deformasyon veya çatlaklar meydana gelebilir.
- Her kullanımdan sonra karbüratör ayar vidaları haricindeki tüm vida ve somunları sıkın.
- Bu kılavuzda ve güç başlığının kullanım kılavuzunda açıklanmayan hiçbir bakım veya onarım işlemi gerçekleştirmeye çalışmayın. Bu tür işler için Dolmar yetkili servis merkezine danışın.
- Yalnızca orijinal Dolmar yedek parçaları ve aksesuarları kullanın. Üçüncü taraflarca tedarik edilen parça veya aksesuarların kullanılması makinenin bozulmasına, mal kayıplarına ve/veya ciddi yaralanmalara yol açabilir.
- Dolmar yetkili servis merkezinden makineyi düzenli olarak kontrol etmesini ve bakımını yapmasını isteyin.

Saklama

- Makineyi depoya kaldırmadan önce, eksiksiz bir temizlik ve bakım çalışması uygulayın. Buji kapağını veya aküyü çıkartın. Motor soğuduktan sonra kalan yakıtı boşaltın. Kesici aleti çıkartın.
- Yakıt deposunun boşaltılması gerekiyorsa, bu işlemi açık alanda gerçekleştirin.
- Makineyi kuru ve çocukların ulaşamaması için yüksek veya kilitli bir yerde saklayın.
- Makineyi kesinlikle duvara vb. dayamayın. Aksi takdirde, aniden düşerek yaralanmalara neden olabilir.

İlk yardım

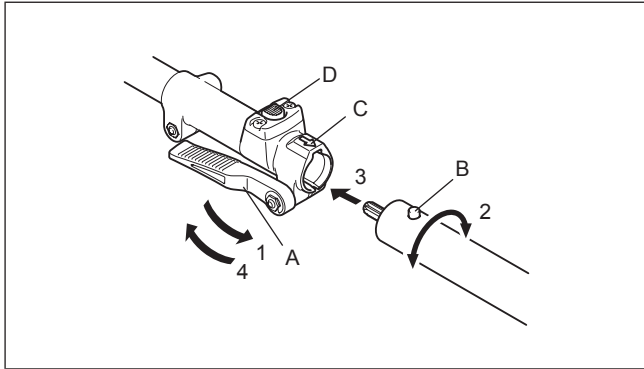
-  Daima yakınızdaki bir ilk yardım kiti bulundurun. İlk yardım kitinden bir şey alındığında derhal yerine yenisini koyun.
- Yardım isterken, şu bilgileri verin:
 - Kazanın yeri
 - Ne olduğu
 - Yaralı kişi sayısı
 - Yaralanmanın tipi
 - Adınız

Kurulum ve ayarlar

⚠ UYARI:

- Makinenin kurulum veya ayar işlemlerine başlamadan önce, motoru kapalı konuma getirin ve buji kapağını veya aküyü çıkartın. Aksi takdirde, kesici alet veya diğer parçalar hareket edebilir ve ciddi yaralanmalara yol açabilir.
- Kesici bıçakla ilgili herhangi bir işlem yapmadan önce koruyucu eldiven takın. Kurulum veya ayar sırasında, parmaklarınız kesici bıçağa değebilir ve ciddi şekilde yaralanabilirsiniz.
- Kurulum ve ayar çalışmaları sırasında makineyi mutlaka yere koyun. Makinenin kurulum veya ayar çalışmalarının baş yukarı konumda gerçekleştirilmesi ciddi yaralanmalara neden olabilir.
- "Güvenlik önlemleri" başlıklı bölümde ve güç başlığının kullanım kılavuzunda açıklanan tüm uyarı ve önlemleri dikkate alın.

Ataşmanın güç başlığına takılması

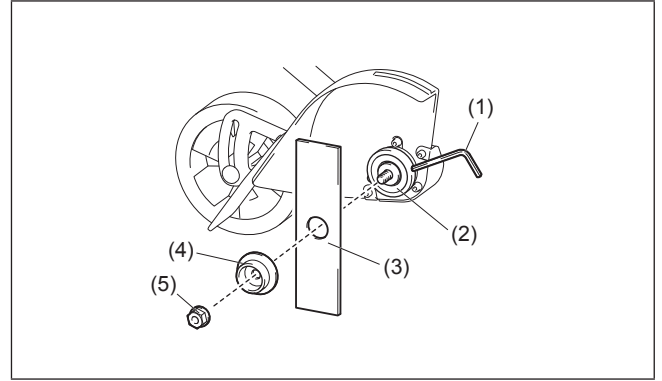


Ataşmanı güç başlığına takmak için, aşağıdaki adımları takip edin.

1. Kilit mandalının (A) sıkılmadığından emin olun.
2. Pimi (B) ok işaretine (C) aynı hizaya getirin.
3. Şaftı, açma düğmesi (D) dışarı çıkana kadar güç başlığının şaftına sokun.
4. Kilit mandalını (A) şekilde gösterildiği gibi sıkıca kapatın. Ataşmanı çıkartmak için kilit mandalını gevşetin, kilit düğmesine basın ve şaftı çekerek çıkartın.

İKAZ: Kilit mandalını (A) kesinlikle ataşman şaftını takmadan kapatmayın. Aksi takdirde, kilit mandalı, güç başlığı şaftının girişini çok fazla kapatarak hasar görmesine neden olabilir.

Bıçağın takılması ve sökülmesi



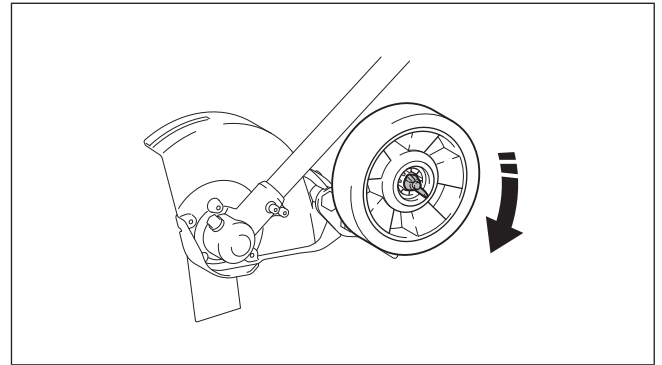
1. Alıcı pulu (2), alıcı pul üzerindeki delik dişli kutusu üzerindeki delikle aynı hizaya gelecek şekilde çevirin.
 2. Alyan anahtarını (1) deliklere sokun. Alıcı pulun dönmediğinden emin olun.
 3. Alyan anahtarını sabit tutarken, somunu (5) bir somun anahtarı kullanarak saat yönünde çevirin.
 4. Somunu ve kelepçeyi (4) çıkartın.
 5. Bıçağı (3) yerleştirin.
 6. Kelepçeyi ve somunu çevirin.
 7. Alyan anahtarını sabit tutarken, bıçağı sabitlemek üzere somunu saat yönünün tersine çevirin.
- Bıçağı çıkarmak için, yukarıdaki adımları ters sırayla takip edin.
- NOT:** Kesici bıçak tespit somunu (yaylı pullu) zamanla aşınır. Somun üzerinde herhangi bir aşınma veya deformasyon tespit ederseniz, somunu değiştirin.

Çalıştırma

⚠ UYARI:

- Kesici alet rölantide hareket ediyorsa, motorun rölanti hızını düşürün. Aksi takdirde, kesici aleti kıvrarak durduramayabilir ve ciddi yaralanmalara yol açabilirsiniz.
- "Güvenlik önlemleri" başlıklı bölümde ve güç başlığının kullanım kılavuzunda açıklanan tüm uyarı ve önlemleri dikkate alın.

Bıçak derinliğinin ayarlanması



- Çark üzerindeki somunu gevşetin.
- Çarkı hareket ettirin ve yüksekliği çalışmanıza uygun şekilde ayarladıktan sonra somunu sıkın.

Çalıştırma ipuçları

- Kenar kesme işlemine başlamadan önce, zemini yumuşatmak ve kenar kesme işlemi için ilgili alanı sulayın.
- Kenar kesme işleminden önce, alanı kontrol edin ve fırlatabilecek tüm engel ve nesnelere temizleyin.
- Düzgün bir kenar elde edilmesini kolaylaştırmak ve birden fazla geçiş yapmanıza gerek kalmaması için çalışmanızı doğru şekilde planlayın.

NOT:

Sert yüzey ile çim üst noktası arasındaki yükseklik farklarından dolayı bıçak derinliğini ayarlamamız gerekebilir.

- Bıçakların kesim derinliğini bir minimum bıçak derinliği kullanarak yürüyüş yolu ile çim arasında düzgün bir kesim elde edecek şekilde ayarlayın; genellikle bıçak zemine yaklaşık 13 mm (1/2") mesafede tutulur.

Kontroller ve bakım

⚠ UYARI:

- Makineyi kontrol etmeden veya bakımını yapmadan önce, motoru kapalı konuma getirin ve buji kapağını veya aküyü çıkartın. Aksi takdirde, kesici alet veya diğer parçalar hareket edebilir ve ciddi yaralanmalara yol açabilir.
- Kontrol edilirken veya bakımı yapılırken makineyi mutlaka yere koyun. Makinenin kurulum veya ayar çalışmalarının baş yukarı konumda gerçekleştirilmesi ciddi yaralanmalara neden olabilir.
- "Güvenlik önlemleri" başlıklı bölümde ve güç başlığının kullanım kılavuzunda açıklanan tüm uyarı ve önlemleri dikkate alın.

Kesici aletin bilenmesi

⚠ UYARI:

Kesici bıçakları kendiniz bilemeye çalışmayın. Manüel bileme, kesici bıçağın dengesini bozar ve makinede titreşimlere ve hasara neden olabilir.

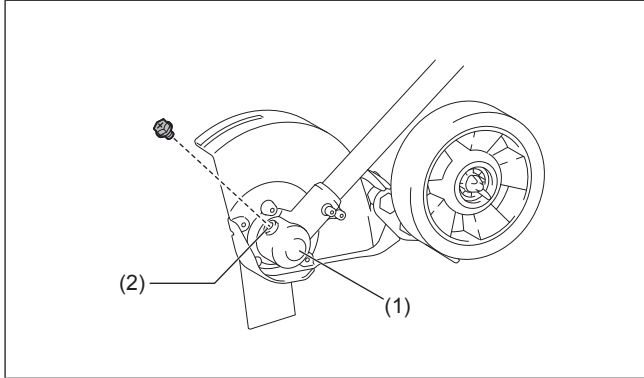
Körleşmiş kesici bıçakları bilemesini ve dengelemesi için Dolmar yetkili servis merkezine başvurun.

Hareketli parçaların yağlanması

İKAZ: Uygulanacak gres miktarı ve uygulama sıklığı ile ilgili talimatları takip edin. Yetersiz yağlama yapılması hareketli parçalara zarar verebilir.

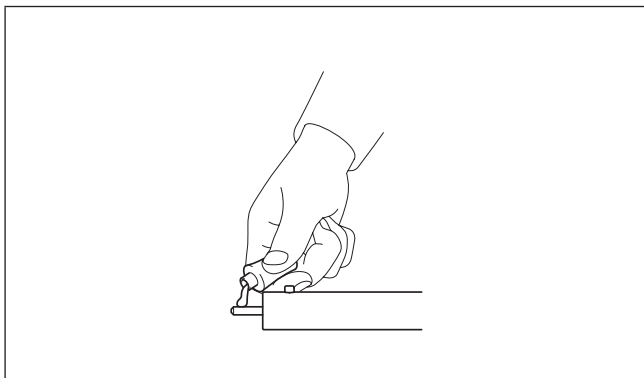
Dışli kutusu:

Dışli kutusuna (1) gres deliğinden (2) her 30 çalışma saatinde bir gres (Shell Alvania 2 veya muadili) doldurun. (Dolmar satıcınızdan orijinal Dolmar gresi satın alabilirsiniz.)



Tahrik aksı:

Her 30 saatlik çalışma sonrası gres (Shell Alvania No.2 veya muadili) uygulayın.



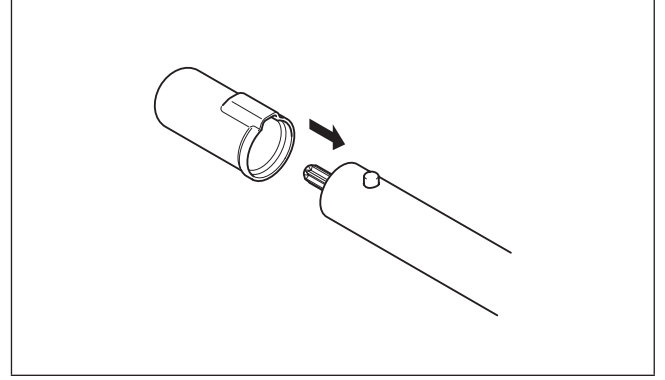
Genel kontrol

- Gevşek cıvata, somun ve vidaları sıkın.
- Hasarlı parça olup olmadığını kontrol edin. Bu parçaları değiştirmesi için Dolmar yetkili servis merkezine başvurun.

Saklama

⚠ UYARI:

"Güvenlik önlemleri" başlıklı bölümde ve güç başlığının kullanım kılavuzunda açıklanan tüm uyarı ve önlemleri dikkate alın.



Kenar ataşmanını güç başlığından ayrı olarak saklayacaksanız, şaft ucuna kapağını takın.

Bakım programı

| Çalışma saati | | Çalışa öncesi | Günlük (10 sa) | 30 sa | Gerektiğinde | İlgili sayfa |
|----------------------------------|--|---------------|----------------|-------|--------------|--------------|
| Tüm makine | Hasarlı parçaların gözle kontrolü | ○ | | | | 72 |
| Tüm tespit vidaları ve somunları | Sıkılır | ○ | | | | 72 |
| Dişli kutusu | Gres uygulayın | | | ○ | | 72 |
| Tahrik aksı | Gres uygulayın | | | ○ | | 72 |
| Kesici bıçak | Hasarın gözle kontrolü | ○ | ○ | | | 72 |
| Güç başlığı | Güç başlığının kullanım kılavuzuna bakın | | | | | |

Sorun Giderme

| Sorun | Olası nedeni | Çözüm |
|--|--|--|
| Motor çalışmıyor. | Güç başlığının kullanım kılavuzuna bakın. | |
| Motor çalıştıktan hemen sonra duruyor. | | |
| Sınırlı bir maksimum hıza ulaşıyor. | | |
| Kesici alet dönmüyor. → Motoru derhal durdurun! | Kesici bıçak sağlam şekilde sıkılmamıştır. | Kesici bıçağı sağlam şekilde sıkın. |
| | Kesici bıçak ile koruyucu arasına bir dal sıkışmıştır. | Yabancı maddeyi çıkartın. |
| | Tahrik sistemi doğru şekilde çalışmıyordur. | Bu parçayı kontrol etmesi ve onarması için Dolmar yetkili servis merkezine başvurun. |
| Makine anormal titreşimli çalışıyor. → Motoru derhal durdurun! | Kesici bıçak bükülmüş, aşınmış veya kırılmıştır. | Kesici bıçağı yenisiyle değiştirin. |
| | Kesici bıçak sağlam şekilde sıkılmamıştır. | Kesici bıçağı sağlam şekilde sıkın. |
| | Kesici bıçak, alıcı pul üzerine tam olarak oturmamıştır. | Kesici bıçağı doğru şekilde takın. |
| | Tahrik sistemi doğru şekilde çalışmıyordur. | Bu parçayı kontrol etmesi ve onarması için Dolmar yetkili servis merkezine başvurun. |
| Kesici alet durmuyor. → Motoru derhal durdurun! | Güç başlığı doğru şekilde çalışmıyordur. | Güç başlığının kullanım kılavuzuna bakın. |

Teknik Veriler

| | | |
|---|----|-----------------|
| Model | | PE-CS |
| Boyutlar (U x G x Y) | mm | 878 x 131 x 291 |
| Net ağırlık (Çıkıntılı kısım ve bıçak dahil değildir) | kg | 2,4 |
| Kesici bıçak çapı | mm | 203 |
| Dişli oranı | | 14/29 |

AT Uygunluk Beyanı

(Yalnızca Avrupa ülkeleri için)

Aşağıda imzaları bulunan ve Dolmar GmbH tarafından yetkilendirilmiş Rainer Bergfeld DOLMAR makine(ler) ile ilgili şu hususları beyan eder:

Makinenin Adı: Kenar Ataşmanı

Model Numarası / Tipi: PE-CS

Teknik Özellikler: bkz. "Teknik Veriler"

seri üretimdir ve

Şu Avrupa Yönergelerine uygundur:

2006/42/EC

Ve şu standartlara veya standartlaştırılmış belgelere uygun olarak üretilmiştir:

ISO 11789

Teknik dokümanlar şu adreste bulunan dosyalarda mevcuttur:

Dolmar GmbH

Jenfelder Straße 38, Abteilung FZ, D-22045 Hamburg

2. 7. 2013



Rainer Bergfeld
Genel Müdür

DOLMAR



DOLMAR GmbH
Postfach 70 04 20
D-22004 Hamburg
Germany
<http://www.dolmar.com>

885310-927

ALA