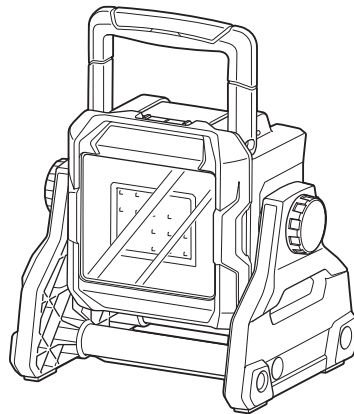


INSTRUCTION MANUAL
MANUEL D'INSTRUCTION
MANUAL DE INSTRUCCIONES



Cordless Worklight Lampe de Chantier Sans Fil Linterna de Trabajo Inalámbrica

ML003G



IMPORTANT: Read Before Using.

IMPORTANT : Lire avant usage.

IMPORTANTE: Lea antes de usar.

SPECIFICATIONS

Model:	ML003G
LED	20pcs, 12W
Power source	14.4/18/36V DC
Dimensions (L × W × H)	249 mm × 298 mm × 280 mm (9-3/4" × 11-3/4" × 11")
Net weight	3.4 kg (7.5 lbs)
Pressure receiving area	0.06 m ²
Protection degree	IP65

- Specifications may differ from country to country.
- The dimensions are with the handle lowered position.
- The weight does not include battery cartridge.
- Due to our continuing program of research and development, the specifications herein are subject to change without notice.

Applicable battery cartridge and operating time

Voltage	Applicable battery cartridge	Operating time (Approximately)	
		High	Low
14.4V	BL1430B	3.0 hours	8.0 hours
18V	BL1815N	2.0 hours	5.0 hours
	BL1820B	2.9 hours	7.0 hours
	BL1830B, BL1830B	4.0 hours	9.0 hours
	BL1840B	5.5 hours	13 hours
	BL1850B	7.0 hours	17 hours
	BL1860B	8.5 hours	21 hours
36V	BL4025	6.0 hours	14 hours
	BL4040	10 hours	22 hours

- Some of the battery cartridges listed above may not be available depending on your region of residence.
- Operating times may differ depending on battery type, charging status, and usage condition.

⚠ WARNING: Only use the battery cartridges listed above. Use of any other battery cartridges may cause injury and/or fire.

Symbols

The following show the symbols used for the equipment. Be sure that you understand their meaning before use.



- Read instruction manual.



- Optical Radiation (UV and IR).
Minimize exposure to eyes or skin.



- Do not stare at operating lamp.



- Use appropriate shielding or eyes protection.



- Take particular care and attention!

IMPORTANT SAFETY INSTRUCTIONS

⚠ WARNING: When using appliances, basic safety precautions should always be followed to reduce the risk of fire, electric shock, and personal injury, including the following:

READ ALL INSTRUCTIONS.

1. Do not look into the light, or do not expose the light to eyes. Eyes may be damaged.
2. Do not cover the lamp with cloth or carton, etc. Otherwise it may cause a flame.
3. Do not expose it to rain or snow. Do not wash it in water.
4. Do not touch the inside of the appliance with tweezers, metal tools, etc.
5. When the appliance is not in use, always switch off and remove the battery cartridge from the appliance.
6. Do not give the appliance a shock by dropping, striking, etc.
7. Safety information for portable luminaires with batteries.
 - Battery disposal should be in compliance with your local regulations that address the disposal of hazardous materials.
 - Do not incinerate the battery.
8. Additional information for luminaires.
 - The light source contained in this luminaire shall only be replaced by the manufacture or his service agent or a similar qualified person.
9. Battery tool use and care.
 - **WARNING:** Read all safety warnings and instructions. Failure to follow the warnings and instructions may result in electric shock, fire and/or serious injury.
 - Prevent unintentional starting. Ensure the switch is in the off-position before connecting to battery pack, picking up or carrying the appliance. Carrying the appliance with your finger on the switch or energizing appliance that have the switch on invites accidents.
 - Disconnect the battery pack from the appliance before making any adjustments, changing accessories, or storing appliance. Such preventive safety measures reduce the risk of starting the appliance accidentally.
 - Recharge only with the charger specified by the manufacturer. A charger that is suitable for one type of battery pack may create a risk of fire when used with another battery pack.
 - Use appliances only with specifically designated battery packs. Use of any other battery packs may create a risk of injury and fire.
 - When battery pack is not in use, keep it away from other metal objects, like paper clips, coins, keys, nails, screws or other small metal objects, that can make a connection from one terminal to another. Shorting the battery terminals together may cause burns or a fire.
 - Under abusive conditions, liquid may be ejected from the battery; avoid contact. If contact accidentally occurs, flush with water. If liquid contacts eyes, additionally seek medical help. Liquid ejected from the battery may cause irritation or burns.
 - Do not use a battery pack or appliance that is damaged or modified. Damaged or modified batteries may exhibit unpredictable behavior resulting in fire, explosion or risk of injury.
 - Do not expose a battery pack or appliance to fire or excessive temperature. Exposure to fire or temperature above 130 °C (265 °F) may cause explosion.
 - Follow all charging instructions and do not charge the battery pack or appliance outside of the temperature range specified in the instructions. Charging improperly or at temperatures outside of the specified range may damage the battery and increase the risk of fire.
 - Have servicing performed by a qualified repair person using only identical replacement parts. This will ensure that the safety of the product is maintained.
 - Do not modify or attempt to repair the appliance or the battery pack except as indicated in the instructions for use and care.
10. Important safety instructions for battery cartridge.
 - Before using battery cartridge, read all instructions and cautionary markings on (1) battery charger, (2) battery, and (3) product using battery.
 - Do not disassemble or tamper the battery cartridge. It may result in a fire, excessive heat, or explosion.
 - If operating time has become excessively shorter, stop operating immediately. It may result in a risk of overheating, possible burns and even an explosion.
 - If electrolyte gets into your eyes, rinse them out with clear water and seek medical attention right away. It may result in loss of your eyesight.
 - Do not short the battery cartridge.

- Do not store and use the tool and battery cartridge in locations where the temperature may reach or exceed 50 °C (122 °F).
 - Do not nail, cut, crush, throw, drop the battery cartridge, or hit against a hard object to the battery cartridge. Such conduct may result in a fire, excessive heat, or explosion.
 - Do not use a damaged battery.
 - The contained lithium-ion batteries are subject to the Dangerous Goods Legislation requirements. For commercial transports e.g. by third parties, forwarding agents, special requirement on packaging and labeling must be observed. For preparation of the item being shipped, consulting an expert for hazardous material is required. Please also observe possibly more detailed national regulations. Tape or mask off open contacts and pack up the battery in such a manner that it cannot move around in the packaging.
 - Use the batteries only with the products specified by Makita. Installing the batteries to non-compliant products may result in a fire, excessive heat, explosion, or leak of electrolyte.
 - If the tool is not used for a long period of time, the battery must be removed from the tool.
 - During and after use, the battery cartridge may take on heat which can cause burns or low temperature burns. Pay attention to the handling of hot battery cartridges.
 - Do not touch the terminal of the tool immediately after use as it may get hot enough to cause burns.
 - Do not allow chips, dust, or soil stuck into the terminals, holes, and grooves of the battery cartridge. It may result in poor performance or breakdown of the tool or battery cartridge.
 - Unless the tool supports the use near high-voltage electrical power lines, do not use the battery cartridge near high-voltage electrical power lines. It may result in a malfunction or breakdown of the tool or battery cartridge.
 - Keep the battery away from children.
11. Tips for maintaining maximum battery life.
- Charge the battery cartridge before completely discharged. Always stop tool operation and charge the battery cartridge when you notice less tool power.
 - Never recharge a fully charged battery cartridge. Overcharging shortens the battery service life.
 - Charge the battery cartridge with room temperature at 10 °C - 40 °C (50 °F - 104 °F). Let a hot battery cartridge cool down before charging it.
 - When not using the battery cartridge, remove it from the tool or the charger.
 - Charge the battery cartridge if you do not use it for a long period (more than six months).

⚠ CAUTION: Only use genuine Makita batteries. Use of non-genuine Makita batteries, or batteries that have been altered, may result in the battery bursting causing fires personal injury and damage. It will also void the Makita warranty for the Makita tool and charger.

FCC caution (For United States)

This device complies with Part 15 of the FCC Rules. Operation is subject to the following two conditions: (1) this device may not cause harmful interference, and (2) this device must accept any interference received, including interference that may cause undesired operation. Changes or modifications not expressly approved by the party responsible for compliance could void the user's authority to operate the equipment.

Note: This equipment has been tested and found to comply with the limits for a Class B digital device, pursuant to part 15 of the FCC Rules. These limits are designed to provide reasonable protection against harmful interference in a residential installation. This equipment generates, uses and can radiate radio frequency energy and, if not installed and used in accordance with the instructions, may cause harmful interference to radio communications. However, there is no guarantee that interference will not occur in a particular installation. If this equipment does cause harmful interference to radio or television reception, which can be determined by turning the equipment off and on, the user is encouraged to try to correct the interference by one or more of the following measures:

- Reorient or relocate the receiving antenna.
- Increase the separation between the equipment and receiver.
- Connect the equipment into an outlet on a circuit different from that to which the receiver is connected.
- Consult the dealer or an experienced radio/TV technician for help.

ICES-005 standard (For Canada)

CAN ICES-005(B)/NMB-005(B)

Save all warnings and instructions for future reference.

FUNCTIONAL DESCRIPTION

⚠ CAUTION:

- Always be sure that the appliance is switched off, and the battery cartridge is removed before adjusting or checking function on the appliance.

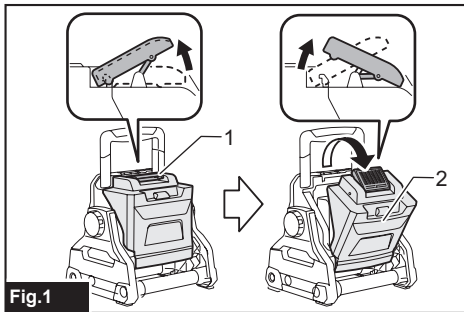
Installing or removing battery cartridge

⚠ CAUTION:

- **Hold the appliance and the battery cartridge firmly when installing or removing battery cartridge.** Failure to hold the appliance and the battery cartridge firmly may cause them to slip off your hands and result in damage to the appliance and battery cartridge and a personal injury.

- Be careful not to trap finger(s) between the appliance and battery cartridge when loading battery cartridge as well as between the appliance and the battery cover when closing the battery cover.

To install the battery cartridge, release the cover lock, and open the battery cover. (Fig. 1)



► 1. Cover lock 2. Battery cover

Insert the battery cartridge. Align the tongue on the battery cartridge with the groove in the housing and slip it into place. Insert it all the way until it locks in place with a little click. If you can see the red indicator on the upper side of the button, it is not locked completely. Then close the battery cover.

To remove the battery cartridge, slide it from the tool while sliding the button on the front of the cartridge. (Fig. 2)

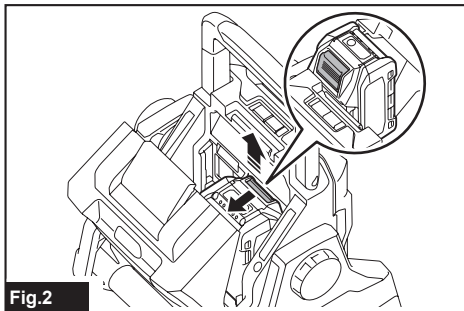


Fig.2

⚠ CAUTION:

- Always install the battery cartridge fully in place. If not, it may accidentally fall out of the appliance, causing injury to you or someone around you.
- Do not install the battery cartridge forcibly. If the cartridge does not slide in easily, it is not being inserted correctly.

Indicating the remaining battery capacity (Fig. 3)

(Only for battery cartridges with the indicator)

Press the check button on the battery cartridge to indicate the remaining battery capacity. The indicator lamps light up for few seconds.

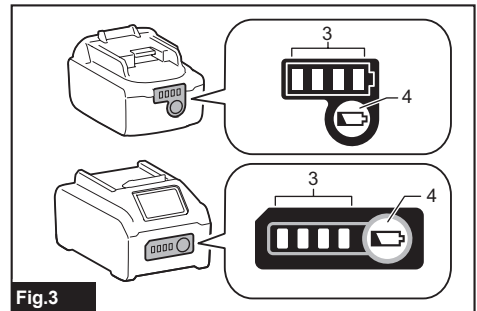


Fig.3

► 3. Indicator lamps 4. Check button

Indicator lamps			Remaining capacity
Lighted	Off	Blinking	
■ ■ ■ ■			75% to 100%
■ ■ ■ □			50% to 75%
■ ■ □ □			25% to 50%
■ □ □ □			0% to 25%
▣ □ □ □			Charge the battery.
■ ■ □ □			The battery may have malfunctioned.
□ □ ■ ■			

NOTE:

- Depending on the conditions of use and the ambient temperature, the indication may differ slightly from the actual capacity.
- The first (far left) indicator lamp will blink when the battery protection system works.

Use of non-genuine Makita batteries, or batteries that have been altered, will void the Makita warranty for the Makita appliance and charger.

Turning on the light and brightness mode selection (Fig. 4)

1. Switch: Press the switch once, the light turns on (At the same brightness mode as the last setting). Press the switch again, the light turns off.
2. Brightness mode selection: Brightness sequence is: High mode / Low mode / High mode for each press when the light is on.

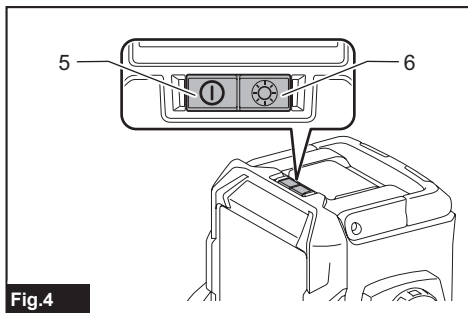


Fig.4

- 5. Switch 6. Brightness mode selection

Battery protection system (Fig. 5)

The appliance is equipped with a battery protection system to extend battery life. When the battery becomes low, the LED lights go out except one LED as illustrated. Then approximately five to ten minutes later, the system automatically cuts off power.

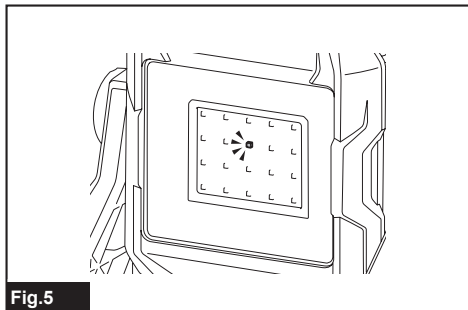


Fig.5

OPERATION

⚠ CAUTION:

- Always put the appliance on flat and stable place. Otherwise a falling accident may occur.

Adjusting the angle of the light (Fig. 6)

Loosen the knobs on the both side. Adjust the angle of the light (adjustment range is 240°). Then tighten the knobs again.

⚠ CAUTION:

Take care not to trap finger(s) when adjusting the angle of the light.

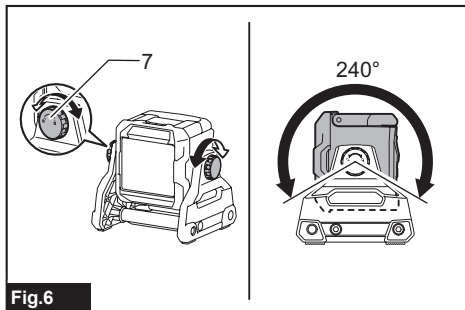


Fig.6

- 7. Knob

Using with tripod (optional accessories)

⚠ CAUTION:

- Read carefully the instruction manuals of the accessories before using them with the light.

You can put the light on the tripod to facilitate the operation. (Fig. 7)

⚠ CAUTION:

- Be careful not to drop the appliance when attaching the appliance on the tripod.
- Place the tripod on a level and stable surface to prevent from falling.
- Spread the legs of the tripod to the maximum.
- Do not use the tripod if the wind is strong.
- Make sure that the appliance is attached securely on the tripod.
- Remove the appliance when carrying the tripod or when folding the legs of the tripod.
- Be careful not to get your hand caught in the legs of the tripod when closing the tripod.

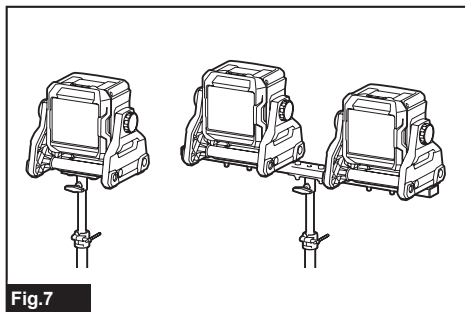


Fig.7

MAINTENANCE

CAUTION:

- Always be sure that the appliance is switched off, and the battery cartridge is removed before attempting to perform inspection or maintenance.
- Never use gasoline, benzine, thinner, alcohol or the like. Discoloration, deformation or cracks may result.

Only maintenance work described in this instruction manual may be performed by the user. Any other work must be carried out by Makita authorized service centers.

Cleaning

CAUTION:

- Never wash the appliance in water.

From time to time wipe off the outside (appliance body) of the appliance using a cloth dampened in soapy water.

OPTIONAL ACCESSORIES

CAUTION:

- These accessories or attachments are recommended for use with your Makita appliance specified in this manual. The use of any other accessories or attachments might present a risk of injury to persons. Only use accessory or attachment for its stated purpose.

If you need any assistance for more details regarding these accessories, ask your local Makita service center.

- Makita genuine battery and charger
- Tripod [Part No: GM00002073]

NOTE:

- Some items in the list may be included in the appliance package as standard accessories. They may differ from country to country.

MAKITA LIMITED WARRANTY

Please refer to the annexed warranty sheet for the most current warranty terms applicable to this product. If annexed warranty sheet is not available, refer to the warranty details set forth at below website for your respective country.

United States of America: www.makitatools.com

Canada: www.makita.ca

Other countries: www.makita.com

SPÉCIFICATIONS

Modèle :	ML003G
DEL	20 pièces, 12W
Source d'alimentation	14,4/18/36V CC
Dimensions (L × l × H)	249 mm × 298 mm × 280 mm (9-3/4" × 11-3/4" × 11")
Poids net	3,4kg (7,5 livres)
Zone de réception de pression	0,06 m ²
Degré de protection	IP65

- Les caractéristiques techniques peuvent varier d'un pays à l'autre.
- Les dimensions sont mises dans la position abaissée de poignée.
- Le poids n'inclut pas la cartouche de pile.
- En raison de notre programme de recherche et développement en continu, les spécifications ci-incluses peuvent être modifiées sans préavis.

Cartouche et temps de fonctionnement de pile applicable

Tension	Cartouche de pile applicable	Temps de fonctionnement (approximatif)	
		Haute	Basse
14,4V	BL1430B	3,0 heures	8,0 heures
18V	BL1815N	2,0 heures	5,0 heures
	BL1820B	2,9 heures	7,0 heures
	BL1830B, BL1830B	4,0 heures	9,0 heures
	BL1840B	5,5 heures	13 heures
	BL1850B	7,0 heures	17 heures
	BL1860B	8,5 heures	21 heures
36V	BL4025	6,0 heures	14 heures
	BL4040	10 heures	22 heures

- Certaines des cartouches de pile énumérées ci-dessus peuvent ne pas être disponibles dans votre région de résidence.
- Le temps de fonctionnement peut varier en fonction du type de pile, de l'état de charge et des conditions d'utilisation.

⚠ AVERTISSEMENT : N'utilisez que les cartouches de pile énumérées ci-dessus. L'utilisation de toute autre cartouche de pile peut provoquer des blessures et/ou un incendie.

Symboles

Les symboles suivants sont utilisés pour les équipements. Assurez-vous de bien comprendre leur signification avant de les utiliser.



- Lire le manuel d'instruction.



- Rayonnement optique (UV et IR). Minimiser l'exposition aux yeux ou à la peau.



- Ne pas regarder le feu de fonctionnement.



- Utiliser l'écran approprié ou la protection oculaire appropriée.



- Il faut faire l'attention particulière!

CONSIGNES DE SÉCURITÉ IMPORTANTES

⚠ AVERTISSEMENT : Lors de l'utilisation d'appareils électroménagers, des précautions de sécurité de base doivent toujours être prises pour réduire les risques d'incendie, de décharge électrique et de blessures corporelles, notamment les suivantes :

LISEZ TOUTES LES INSTRUCTIONS.

1. Ne regardez pas dans la lumière ou n'exposez pas la lumière aux yeux. Cela peut endommager les yeux.
2. Ne couvrez pas le voyant avec un chiffon ou un carton, etc. Cela pourrait provoquer une flamme.
3. Ne l'exposez pas à la pluie ou à la neige. Ne le rincez pas à l'eau.
4. Ne touchez pas l'intérieur de l'appareil à l'aide de pincettes, d'outils métalliques, etc.
5. Toujours éteindre et retirer la cartouche de pile de l'appareil lorsqu'il n'est pas en fonction.
6. Ne donnez pas de choc à l'appareil en l'échappant, le frappant, etc.
7. Information en matière de sécurité pour luminaires portables avec piles.
 - L'élimination des piles doit être en conformité avec vos réglementations locales qui répondent à l'élimination des matériaux dangereux.
 - Ne brûlez pas la pile.
8. Renseignements supplémentaires sur les luminaires.
 - La source lumineuse contenue dans ce luminaire ne doit être remplacée que par le fabricant, son agent de service ou une personne qualifiée similaire.
9. Utilisation et entretien de l'outil sur pile.
 - **AVERTISSEMENT** : Lisez tous les avertissements de sécurité et instructions. Le non-respect de ces avertissements et instructions peut entraîner un choc électrique, un incendie et/ou des blessures graves.
 - Empêchez tout démarrage accidentel. Assurez-vous que l'interrupteur est en position d'arrêt avant de brancher le bloc-pile, de ramasser ou de transporter l'appareil. Le fait de transporter l'appareil avec le doigt sur l'interrupteur ou d'alimenter l'appareil avec l'interrupteur en marche risque d'entraîner des accidents.
 - Débranchez le bloc-pile de l'appareil avant d'effectuer des réglages, de changer des accessoires ou de ranger l'appareil. De telles mesures de sécurité préventives réduisent le risque de mettre en marche l'appareil accidentellement.
 - Rechargez uniquement avec le chargeur spécifié par le fabricant. Un chargeur adapté à un type de bloc-pile peut entraîner un risque d'incendie s'il est utilisé avec un autre bloc-pile.
 - N'utilisez les appareils qu'avec des blocs-pile spécialement conçus à cet effet. L'utilisation de tout autre bloc-pile peut entraîner un risque de blessure et d'incendie.
 - Lorsque le bloc-pile n'est pas utilisé, éloignez-le des autres objets métalliques, tels que trombones, pièces de monnaie, clés, clous, vis ou autres petits objets métalliques qui peuvent établir la connexion d'une borne à une autre. Court-circuiter les bornes de la pile ensemble peut causer des brûlures ou un incendie.
 - Dans des conditions extrêmes, du liquide peut être éjecté de la pile; évitez tout contact. En cas de contact accidentel, rincez-vous à grande eau. Si le liquide entre en contact avec les yeux, consultez un médecin. Le liquide éjecté de la pile peut causer une irritation ou des brûlures.
 - N'utilisez pas un bloc-pile ou un appareil endommagé ou modifié. Les piles endommagées ou modifiées peuvent être imprévisibles et provoquer un incendie ou une explosion ou elles présentent un risque de blessure.
 - N'exposez pas un bloc-pile ou un appareil à un feu ou à une température excessive. L'exposition au feu ou une température supérieure à 130 °C (265 °F) peut provoquer une explosion.
 - Suivez toutes les instructions de recharge et ne chargez pas le bloc-pile ou l'appareil à l'extérieur de la plage de température spécifiée dans les instructions. Une charge incorrecte ou à des températures à l'extérieur de la plage spécifiée peut endommager la pile et augmenter le risque d'incendie.
 - Faites effectuer l'entretien par un réparateur qualifié en n'utilisant que des pièces de rechange identiques. Cela garantira le maintien de la sécurité du produit.
 - Ne modifiez pas l'appareil ou le bloc-pile, et n'essayez pas de les réparer vous-même, sauf comme indiqué dans les instructions d'utilisation et d'entretien.
10. Consignes de sécurité importantes pour la cartouche de pile.
 - Avant d'utiliser la cartouche de pile, lisez toutes les instructions et les mises en garde sur (1) le chargeur de pile, (2) la pile et (3) le produit utilisant une pile.
 - Ne pas démonter ou modifier la cartouche de pile. Cela pourrait entraîner un incendie, une chaleur excessive ou une explosion.
 - Si le temps de fonctionnement est devenu excessivement plus court, cessez immédiatement d'utiliser l'appareil. Cette situation peut entraîner un risque de surchauffe, de brûlures et même d'explosion.
 - Si de l'électrolyte entre dans vos yeux, rincez-les à l'eau claire et consultez immédiatement un médecin. Cet incident pourrait entraîner une perte de la vue.

- Ne court-circuitez pas la cartouche de pile.
 - Ne pas entreposer et utiliser l'outil et la cartouche de pile dans des endroits où la température peut atteindre ou dépasser 50 °C (122 °F).
 - Ne pas clouer, couper, écraser, jeter, échapper la cartouche de pile ou frapper celle-ci contre un objet dur. Une telle conduite pourrait entraîner un incendie, une chaleur excessive ou une explosion.
 - N'utilisez pas une pile endommagée.
 - Les piles au lithium-ion sont soumises aux exigences de la législation en matière de marchandises dangereuses. Pour les transports commerciaux, par des tiers ou des agents de transport par exemple, des exigences particulières en matière d'emballage et d'étiquetage doivent être respectées. Pour la préparation de l'article à expédier, il faut consulter un expert en matières dangereuses. Veuillez également respecter les réglementations nationales probablement plus détaillées. Attachez ou masquez les contacts ouverts et emballez le bloc-pile de manière à ce qu'il ne puisse pas se déplacer dans l'emballage.
 - N'utilisez les piles qu'avec les produits mentionnés par Makita. L'installation des piles sur des produits non conformes peut provoquer un incendie, une chaleur excessive, une explosion ou une fuite d'électrolyte.
 - Si l'outil n'est pas utilisé pendant une longue période, la pile doit être retirée de l'outil.
 - La cartouche de pile peut accumuler de la chaleur pendant et après l'utilisation, ce qui peut provoquer des brûlures ou des brûlures de faible température. Faites attention lors de la manipulation de cartouches de pile chaudes.
 - Ne touchez pas la borne de l'outil immédiatement après utilisation car elle pourrait devenir assez chaude pour provoquer des brûlures.
 - Ne permettez pas à des copeaux, de la poussière, ou de la terre de rester pris dans les bornes, les trous et les rainures de la cartouche de pile. Cela pourrait entraîner de mauvaises performances ou un bris de l'outil ou de la cartouche de pile.
 - À moins que l'outil ne supporte une utilisation près de lignes électriques de haute tension, n'utilisez pas la cartouche de pile près de telles lignes. Cela pourrait entraîner un mauvais fonctionnement ou un bris de l'outil ou de la cartouche de pile.
 - Conservez la pile éloignée des enfants.
11. Conseils pour maintenir la durée de vie maximale de la pile.
- Chargez la cartouche de pile avant de la décharger complètement. Arrêtez toujours le fonctionnement de l'outil et chargez la cartouche de la pile lorsque vous remarquez une réduction de la puissance de l'outil.
 - Ne rechargez jamais une cartouche de pile complètement chargée. Une surcharge réduit la durée de vie de la pile.
 - Chargez la cartouche de pile à température ambiante entre 10 °C et 40 °C (50 °F et 104 °F). Laissez refroidir une cartouche de pile chaude avant de la recharger.
 - Retirez la cartouche de pile de l'outil ou du chargeur lorsque vous ne l'utilisez pas.
 - Chargez la cartouche de pile si vous ne l'utilisez pas pendant une longue période (plus de six mois).

⚠ ATTENTION : N'utilisez que des piles Makita d'origine. L'utilisation de piles Makita non authentiques, ou de piles qui ont été modifiées, peut entraîner l'éclatement de la pile et provoquer des incendies, des blessures corporelles et des dommages. Cela annulera également la garantie de Makita pour l'outil et le chargeur Makita.

Mise en garde de la FCC (pour les États-Unis)

Cet appareil est conforme à l'article 15 du règlement de la FCC. L'utilisation est soumise aux deux conditions suivantes :

- (1) Cet appareil ne doit pas causer les interférences nuisibles, et
- (2) Cet appareil doit accepter toute interférence reçue, y compris l'interférence qui peut causer le fonctionnement indésirable. Tout changement ou toute modification non expressément approuvé par la partie responsable de la conformité pourrait annuler le droit de l'utilisateur d'utiliser l'équipement.

Remarque : Cet équipement a été testé et déclaré conforme aux limites d'un appareil numérique de classe B, conformément à l'article 15 des règlements de la FCC. Ces limites sont conçues pour fournir une protection raisonnable contre les interférences nuisibles dans une installation résidentielle. Cet équipement génère, utilise et peut émettre de l'énergie radiofréquence et, s'il n'est pas installé et utilisé conformément aux instructions, peut causer des interférences nuisibles aux communications radio. Cependant, il n'y a aucune garantie que des interférences ne se produiront pas dans une installation particulière. Si cet équipement cause des interférences nuisibles à la réception de la radio ou de la télévision, ce qui peut être déterminé en éteignant et en rallumant l'équipement, on suggère à l'utilisateur de tenter de corriger ces interférences par une ou plusieurs des mesures suivantes :

- Réorientez ou déplacez l'antenne de réception.
- Augmentez la distance entre l'équipement et le récepteur.
- Branchez l'équipement dans une prise de courant sur un circuit différent de celui auquel le récepteur est branché.
- Consultez le revendeur ou un technicien radio/TV expérimenté pour obtenir de l'aide.

Norme ICES-005 (pour le Canada)

CAN ICES-005(B)/NMB-005(B)

Conserver tous les avertissements et les instructions pour la référence future.

DESCRIPTION FONCTIONNELLE

⚠ ATTENTION :

- Assurez-vous toujours que l'appareil est éteint et que la cartouche de pile est retirée avant de régler ou de vérifier le fonctionnement de l'appareil.

Installation ou retrait de la cartouche de pile

⚠ ATTENTION :

- **Tenez fermement l'appareil et la cartouche de pile lorsque vous installez ou retirez la cartouche de piles.** Si vous ne tenez pas fermement l'appareil et la cartouche de pile, ils risquent de glisser de vos mains et d'endommager l'appareil et la cartouche de pile, en plus de provoquer des blessures corporelles.

- Il faut faire l'attention pour ne pas coincer les doigts entre l'appareil et la cartouche de pile lors de la charge de la cartouche de pile et ne pas coincer les doigts entre l'appareil et le couvercle du compartiment à piles lors de la fermeture du couvercle de compartiment à piles.

Pour installer la cartouche de pile, relâcher le verrou de couvercle, et ouvrir le couvercle du compartiment à piles. (Fig. 1)

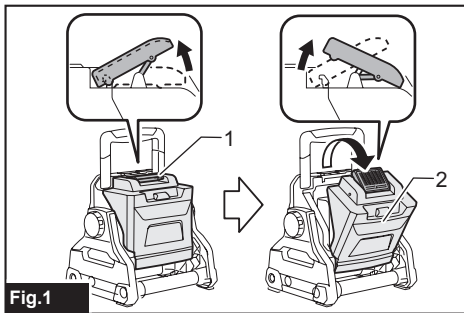


Fig.1

► 1. Verrou de couvercle 2. Couvercle du compartiment à piles

Insérer la cartouche de pile. Alignez la languette de la cartouche de pile avec la rainure du boîtier et glissez-la en place. Insérez-la jusqu'à entendre un déclic. Si vous pouvez voir l'indicateur rouge sur le côté supérieur du bouton, la cartouche n'est pas complètement verrouillée. Fermez ensuite le couvercle du compartiment à piles.

Pour retirer la cartouche de pile, faites-la glisser de l'outil tout en faisant glisser le bouton à l'avant de la cartouche.

(Fig. 2)

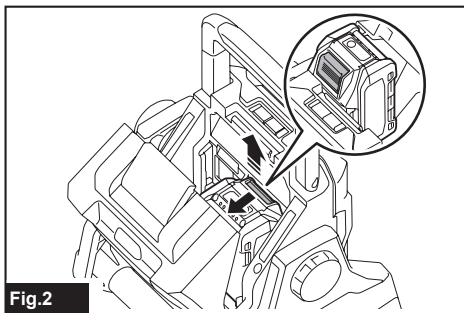


Fig.2

⚠ ATTENTION :

- Installer toujours complètement la cartouche de pile en place. Sinon, les piles pourraient tomber accidentellement de l'appareil et causer des blessures à vous ou à quelqu'un à vos côtés.
- Ne forcez pas pour installer la cartouche de pile. Si la cartouche ne glisse pas facilement, elle n'est pas insérée correctement.

Indication de la capacité restante de la pile (Fig. 3)

(Uniquement pour les cartouches de pile avec indicateur)

Appuyez sur le bouton de vérification de la cartouche de pile pour indiquer la capacité restante de la pile. Les voyants lumineux s'allument pendant quelques secondes.

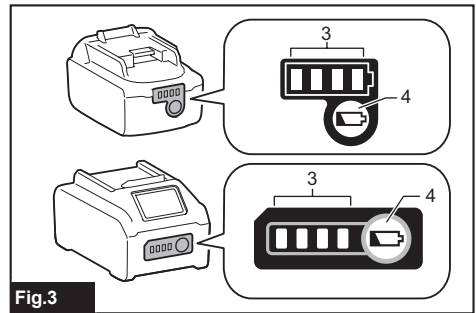


Fig.3

► 3. Voyants lumineux 4. Bouton de vérification

Voyants lumineux			Capacité restante
Éclairé	Arrêt	Clignotant	
■	■	■	75 % à 100 %
■	■	□	50 % à 75 %
■	□	□	25 % à 50 %
■	□	□	0 % à 25 %
◻	□	□	Chargez la pile.
■	■	□	La pile a peut-être mal fonctionné.
□	□	■	

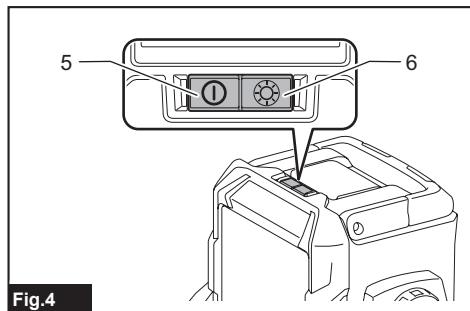
REMARQUE :

- Selon les conditions d'utilisation et la température ambiante, l'indication peut différer légèrement de la capacité réelle.
- Le premier voyant lumineux (à gauche complètement) clignotera lorsque le système de protection de la pile fonctionne.

L'utilisation de la pile Makita non authentique ou de la pile modifiée annulera la garantie Makita pour l'appareil Makita et le chargeur.

Allumage de feu et sélection du mode de luminosité (Fig. 4)

1. Interrupteur : Appuyer à une fois sur l'interrupteur, pour allumer le feu (c'est le même mode de luminosité comme le dernier réglage). Appuyer à nouveau sur l'interrupteur, le feu est éteint.
2. Sélection du mode de luminosité : La séquence de luminosité est : Haut mode/Bas mode/Haut mode pour chaque appui lorsque le feu est allumé.



- 5. Interrupteur : 6. Sélection du mode de luminosité

Système de protection de pile (Fig. 5)

L'appareil est équipé avec un système de protection de pile pour prolonger la durée de vie de pile. Lorsque la pile devient faible, le feu LED est éteint sauf feu LED indiqué dans la Fig.. Ensuite, retarder environ 5~10 minutes, le système éteint automatiquement l'alimentation.

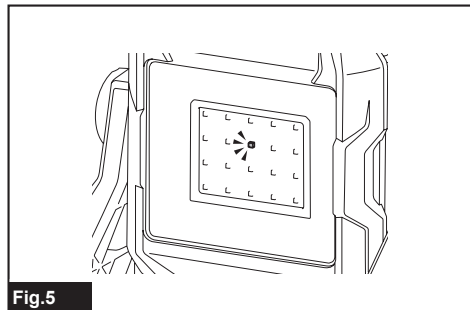


Fig.5

FONCTIONNEMENT

⚠ ATTENTION :

- L'appareil est toujours placé dans un endroit plat et stable. Sinon, un accident de chute peut se produire.

Réglage de l'angle de feu (Fig. 6)

Desserrer les boutons sur deux côtés. Régler l'angle de feu (la plage de réglage est de 240°). Ensuite, resserrer les boutons.

⚠ ATTENTION :

Il faut faire l'attention pour ne pas coincer les doigts lors du réglage de l'angle de feu.

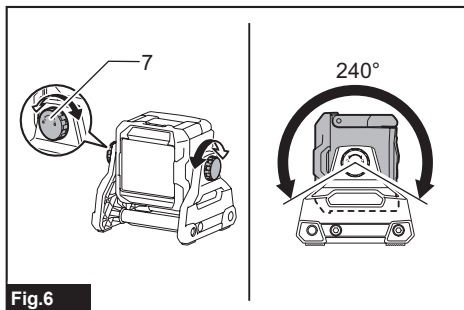


Fig.6

- 7. Bouton

Utilisation avec le trépied (accessoires en option)

⚠ ATTENTION :

- Lire attentivement les manuels d'instructions d'accessoires avant l'utilisation avec le feu.

Vous pouvez mettre le feu sur le trépied pour faciliter l'opération. (Fig. 7)

⚠ ATTENTION :

- Il faut faire l'attention pour tomber l'appareil lorsque l'appareil est fixé sur le trépied.
- Le trépied est placé sur une surface plane et stable afin d'éviter de tomber.
- Les pieds de trépied sont écartés au niveau maximal.
- S'il existe le vent fort, le trépied ne doit pas être utilisé.
- Il faut assurer que l'appareil est fermement fixé sur le trépied.
- L'appareil est retiré lorsque le trépied est transporté ou les pieds de trépied sont pliés.
- Il faut faire l'attention pour ne pas coincer vos mains dans les pieds de trépied lors de la fermeture de trépied.

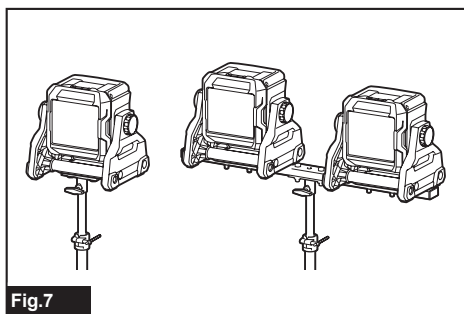


Fig.7

ENTRETIEN

ATTENTION :

- Toujours vous assurer que l'appareil est éteint et que la cartouche de pile est retirée avant de tenter d'effectuer une inspection ou un entretien.
- N'utilisez jamais de gazoline, d'essence, de diluant, d'alcool ou autre. Ces produits pourraient causer une décoloration, une déformation ou des fissures.

Seul le travail de maintenance décrit dans ce manuel d'instruction peut être effectué par l'utilisateur. Tout autre travail doit être effectué par les centres de service Makita agréés.

Nettoyage

ATTENTION :

- L'appareil ne doit pas être lavé dans l'eau.
- De temps en temps, l'extérieur d'appareil (corps d'appareil) est essuyé en utilisant le chiffon imbibé dans l'eau savonneuse.

ACCESSOIRES FACULTATIFS

ATTENTION :

- Ces accessoires ou pièces sont recommandés pour une utilisation avec votre appareil de Makita spécifié dans ce manuel. L'utilisation d'autres accessoires ou pièce peut présenter un risque de blessure. Utilisez un accessoire ou une pièce uniquement pour les raisons indiquées..

Si vous avez besoin d'aide pour plus de détails concernant ces accessoires, demandez à votre centre de service local de Makita.

- Pile et chargeur Makita d'origine.
- Trépied [Numéro de pièce : GM00002073]

REMARQUE :

- Certains éléments de la liste peuvent être inclus dans l'ensemble d'appareil comme accessoires standard. Ils peuvent varier d'un pays à l'autre.

GARANTIE LIMITÉE DE MAKITA

Référez-vous à la garantie en annexe pour connaître les plus récentes conditions de garantie applicable à ce produit. Si la garantie n'est pas annexée, référez-vous aux renseignements de garantie détaillés sur notre site Web national indiqué ci-dessous.

États-Unis d'Amérique : www.makitatools.com

Canada : www.makita.ca

Ailleurs : www.makita.com

ESPECIFICACIONES

Modelo:	ML003G
LED	20pzs, 12W
Fuente de alimentación.	14,4/18/36V DC
Medidas (largo × ancho × altura)	249 mm × 298 mm × 280 mm (9-3/4" × 3-3/4" × 11")
Peso neto	3,4 kg (7,5 lbs)
Área que recibe presión.	0,06 m ²
Grado de protección.	IP65

- Las especificaciones pueden diferir de un país a otro.
- Las dimensiones incluyen la manija hacia abajo.
- El peso no incluye el cartucho de la batería.
- Debido a nuestro programa continuo de investigación y desarrollo, las especificaciones en este documento están sujetas a cambios sin previo aviso.

Cartucho de batería adecuado y tiempo de operación

Voltaje	Cartucho de batería adecuado.	Tiempo de operación (aproximado)	
		Alto	Bajo
14,4V	BL1430B	3,0 horas	8,0 horas
18V	BL1815N	2,0 horas	5,0 horas
	BL1820B	2,9 horas	7,0 horas
	BL1830B, BL1830B	4,0 horas	9,0 horas
	BL1840B	5,5 horas	13 horas
	BL1850B	7,0 horas	17 horas
	BL1860B	8,5 horas	21 horas
36V	BL4025	6,0 horas	14 horas
	BL4040	10 horas	22 horas

- Es posible que algunos de los cartuchos de batería mencionados anteriormente no estén disponibles según su área de residencia.
- Los tiempos de funcionamiento pueden variar dependiendo del tipo de la batería, del estatus de la carga y de las condiciones de uso.

⚠ ADVERTENCIA: utilice únicamente los cartuchos de batería mencionados anteriormente. El uso de cualquier otro tipo de cartuchos de batería podría ocasionar lesiones y/o provocar un incendio

Simbología

A continuación se muestra la simbología utilizada para el equipo. Debe estar seguro de que entiende su significado antes de utilizar el equipo.



- Lea el manual de instrucciones.



- Radiación óptica (UV e IR)
Minimice la exposición de ojos y piel.



- No mire fijamente la lámpara cuando esté en funcionamiento.



- Use protección adecuada o protectores para los ojos.



- Tome especial cuidado y atención.

INSTRUCCIONES DE SEGURIDAD IMPORTANTES

⚠️ ADVERTENCIA: cuando utilice aparatos electrodomésticos, siempre se deben seguir las precauciones básicas de seguridad para reducir el riesgo de incendio, descarga eléctrica y lesiones personales, incluyendo lo siguiente:

LEA TODAS LAS INSTRUCCIONES.

1. No mire directamente a la luz ni apunte la luz a los ojos. Los ojos pueden lesionarse.
2. No cubra la lámpara con tela o cartón, etcétera. De lo contrario, podrían producirse llamas.
3. No la deje expuesta a la lluvia o la nieve. No la lave con agua.
4. No toque el interior del aparato con pinzas, herramientas metálicas, etc.
5. Cuando el aparato no esté en uso, apáguelo siempre y desconecte/retire el cartucho de batería del aparato.
6. No permita que el aparato se caiga, se golpee, etcétera.
7. Información de seguridad para luminarias portátiles con baterías.
 - Deseche las baterías en conformidad con las reglas locales de eliminación de materiales peligrosos.
 - No queme la batería.
8. Información adicional para luminarias.
 - La fuente de luz contenida en esta luminaria solo será sustituida por el fabricante, su agente de mantenimiento o una persona calificada similar.
9. Usos y cuidados de la herramienta a batería.
 - **ADVERTENCIA:** Lea todas las precauciones y las instrucciones de seguridad. No seguir las precauciones y las instrucciones podría dar como resultado una descarga eléctrica, un incendio y/o una lesión grave.
 - Evite el encendido involuntario. Asegúrese de que el interruptor esté en posición de apagado antes de conectar el paquete de baterías, recoger o transportar el aparato. Transportar el aparato con el dedo en el interruptor, o alimentar el aparato con el interruptor encendido puede causar accidentes.
 - Desconecte la batería del aparato antes de realizar cualquier ajuste, cambiar accesorios o almacenarlo. Estas medidas de seguridad preventivas reducen el riesgo de encender el aparato accidentalmente.
 - Recárguelo solo con el cargador especificado por el fabricante. Un cargador que es adecuado para determinado tipo de batería puede crear un riesgo de incendio cuando se utiliza con otra batería.
 - Utilice aparatos solo con baterías indicadas específicamente. El uso de cualquier otro paquete de baterías puede conllevar riesgo de lesiones e incendio.
 - Cuando la batería no esté en uso, manténgala alejada de otros objetos metálicos, como clips de papel, monedas, llaves, clavos, tornillos u otros objetos metálicos pequeños, que puedan crear una conexión de un terminal a otro. El cortocircuito de los terminales de la batería puede causar quemaduras o un incendio.
 - En condiciones de mal uso, de la batería puede salir líquido; evite el contacto. Si se produce un contacto accidental, enjuáguese con agua. Si el líquido entra en contacto con los ojos, busque además ayuda médica. El líquido que sale de la batería puede causar irritación o quemaduras.
 - No utilice una batería o un aparato que esté dañado o modificado. Las baterías dañadas o modificadas pueden tener un comportamiento impredecible que resulte en incendio, explosión o riesgo de lesiones.
 - No exponga una batería o un aparato al fuego o a una temperatura excesiva. La exposición al fuego o a una temperatura por encima de 130 °C (265 °F) puede causar una explosión.
 - Siga todas las instrucciones de carga y no cargue la batería o el aparato cuando se exceda el rango de temperatura especificado en las instrucciones. La carga incorrecta o a temperaturas fuera del rango especificado puede dañar la batería y aumentar el riesgo de incendio.
 - El mantenimiento debe ser realizado por un técnico calificado utilizando solo piezas de repuesto idénticas. Esto garantizará que se respete la seguridad del producto.
 - No modifique ni intente reparar el aparato o la batería, excepto como se indica en las instrucciones de uso y de cuidados.
10. Instrucciones importantes de seguridad sobre el cartucho de la batería.
 - Antes de usar el cartucho de batería, lea todas las instrucciones y marcas de precaución en (1) el cargador de la batería, (2) la batería y (3) el producto que usa la batería.
 - No desensamble o manipule el cartucho de la batería. Podría dar como resultado un incendio, calor excesivo o una explosión.
 - Si el tiempo de funcionamiento se ha vuelto excesivamente más corto, deje de operar el aparato de inmediato. Puede haber un riesgo de sobrecalentamiento, posibles quemaduras e incluso una explosión.
 - Si el electrolito le entra en los ojos, enjuáguelos con agua limpia y busque atención médica de inmediato. Podría producirse pérdida de la visión.
 - No provoque cortocircuitos en el cartucho de la batería.

- No almacene la herramienta ni el cartucho de la batería en lugares donde la temperatura pueda alcanzar o superar los 50 °C (122 °F).
- No clave, corte, apriete, arroje, deje caer el cartucho de la batería o golpee contra un objeto duro. Podría dar como resultado un incendio, calor excesivo o una explosión.
- No utilice una batería dañada.
- Las baterías de iones de litio contenidas están sujetas a los requisitos de la legislación sobre mercancías peligrosas. En los transportes comerciales, por ejemplo, por terceros, deben observarse requisitos especiales en el embalaje y el etiquetado. Para la preparación del artículo que se transporta, se requiere consultar a un experto en materiales peligrosos. Por favor, observe también las regulaciones nacionales que, posiblemente, sean más detalladas. Tape o enmascare los contactos abiertos y empaque la batería de tal manera que no pueda moverse en el embalaje.
- Utilice las baterías únicamente con los productos especificados por Makita. La instalación de las baterías en productos que incumplen las normas puede provocar incendios, calor excesivo, una explosión o una fuga de electrolitos.
- Si el aparato no se utiliza durante un largo período, la batería debe retirarse del aparato.
- Durante y después del uso, el cartucho de la batería podría calentarse y causar quemaduras o quemaduras de bajas temperaturas. Preste atención a la manipulación de cartuchos de baterías calientes.
- No toque el terminal de la herramienta inmediatamente después de usarla, porque podría estar suficientemente caliente como para quemar lo.
- No permita astillas, polvo o tierra atascada en los terminales, los orificios y las ranuras del cartucho de la batería. Podría dar como resultado bajo rendimiento o avería de la herramienta o el cartucho de la batería.
- A menos que la herramienta sea compatible con el uso cercano de líneas eléctricas de alto voltaje, no use el cartucho de la batería cerca de las líneas eléctricas de alto voltaje. Podría dar como resultado una falla o una avería de la herramienta o el cartucho de la batería.
- Mantenga la batería fuera del alcance de los niños.
- 11. Consejos para conservar la máxima duración de la batería.
 - Cargue el cartucho de la batería antes de que se descargue por completo. Detenga siempre el funcionamiento de la herramienta y cargue el cartucho de la batería cuando observe menos potencia en la herramienta.
 - Nunca recargue un cartucho de batería completamente cargado. La sobrecarga acorta la vida útil de la batería.
 - Cargue el cartucho de la batería a temperatura ambiente a 10 °C - 40 °C (50 °F - 104 °F). Si el cartucho de batería está caliente permita que se enfríe antes de cargarlo.
 - Cuando no use el cartucho de la batería, retírelo de la herramienta o el cargador.
 - Cargue el cartucho de batería si no lo utiliza durante un período prolongado (más de seis meses).

⚠ PRECAUCIÓN: Use únicamente las baterías originales Makita. El uso de baterías Makita no originales, o de baterías que se hayan alterado, puede causar la explosión de la batería, incendios, lesiones personales y daños. También anulará la garantía de Makita para la herramienta y el cargador.

Advertencia de la FCC (para los Estados Unidos)

Este dispositivo cumple con la Parte 15 de las Reglas de la FCC. La manipulación está sujeta a las dos condiciones siguientes:

- (1) que este dispositivo no cause interferencias dañinas, y
- (2) que este dispositivo acepte cualquier interferencia recibida, incluida la interferencia que pueda causar un funcionamiento no deseado. Los cambios o las modificaciones no aprobados expresamente por la parte responsable del cumplimiento podrían anular la autoridad del usuario para operar el equipo.

Nota: este equipo ha sido probado y se ha comprobado que cumple con los límites para un dispositivo digital de Clase B, de conformidad con la parte 15 de las Reglas de la FCC. Estos límites están diseñados para proporcionar una protección razonable contra interferencias dañinas en una instalación residencial. Este equipo genera, utiliza y puede irradiar energía de radiofrecuencia y, si no se instala y utiliza de acuerdo con las instrucciones, puede causar interferencias dañinas en las comunicaciones radioeléctricas. Sin embargo, no hay garantía de que no se produzcan interferencias en una instalación en particular. Si este equipo causa interferencias perjudiciales en la recepción de radio o televisión, que se pueden determinar apagando y encendiendo el equipo, se recomienda al usuario que intente corregir la interferencia mediante una o más de las siguientes medidas:

- Reoriente o reubique la antena receptora.
- Aumente la distancia entre el equipo y el receptor.
- Conecte el equipo a un tomacorriente en un circuito diferente al que está conectado el receptor.
- Consulte al distribuidor o a un técnico de radio/TV con experiencia para obtener ayuda.

Estándar ICES-005 (para Canadá)

CAN ICES-005(B)/NMB-005(B)

Guarde todas las advertencias e instructivos para futuras referencias.

DESCRIPCIÓN FUNCIONAL

⚠ PRECAUCIÓN:

- Asegúrese siempre de que el aparato esté apagado y de que el cartucho de la batería se haya extraído antes de ajustar o comprobar el funcionamiento del aparato.

Instalación o extracción del cartucho de la batería

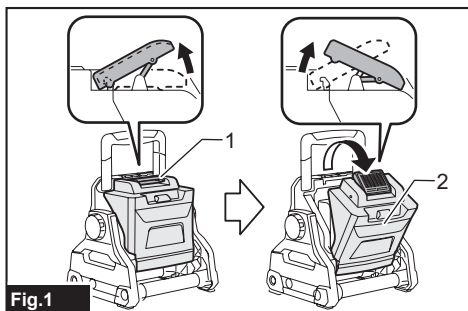
⚠ PRECAUCIÓN:

- **Sujete firmemente el aparato y el cartucho de batería al instalar o extraer el cartucho de batería.**

Si no se sujeta el aparato y el cartucho de la batería firmemente, es posible que se les escape de las manos y se dañen el aparato y el cartucho de la batería y se produzca una lesión personal.

- Tenga cuidado de no machucar sus dedos entre el equipo y el cartucho de la batería cuando instale el cartucho de la batería, así como entre el equipo y la tapa de la batería cuando cierre la tapa de ésta.

Para instalar el cartucho de la batería, libere el seguro de la tapa y abra la tapa de la batería. (Fig. 1)



► 1. Seguro de la tapa 2. Tapa de la batería

Inserte el cartucho de la batería. Alinee la lengüeta del cartucho de batería con la ranura de la carcasa y deslícela hasta que quede en su lugar. Insértela hasta que quede fija en su lugar y escuche un breve clic. Si puede ver el indicador rojo en la parte superior del botón, no está completamente fija. Enseguida cierre la tapa de la batería. Para retirar el cartucho de la batería, deslícelo del aparato al tiempo que desliza el botón en el frente del cartucho. (Fig. 2)

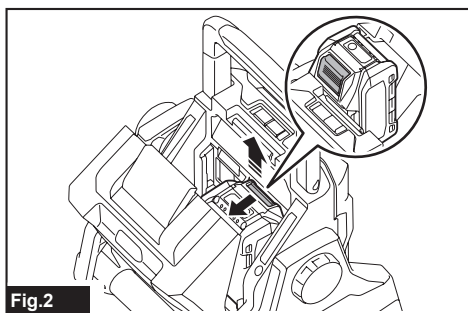


Fig. 2

⚠ PRECAUCIÓN:

- Siempre instale el cartucho de la batería de manera completa en su lugar. Si no es así, puede caerse accidentalmente del aparato, lo que le causará lesiones a usted o a alguien cercano.
- No instale el cartucho de batería por la fuerza. Si el cartucho no se desliza fácilmente, no se está insertando correctamente.

Indicador de la capacidad restante de la batería (Fig. 3)

(Solamente para cartuchos de batería con indicador)

Pulse el botón de verificación del cartucho de batería para indicar la capacidad restante de la batería. Las luces indicadoras se encienden durante unos segundos.

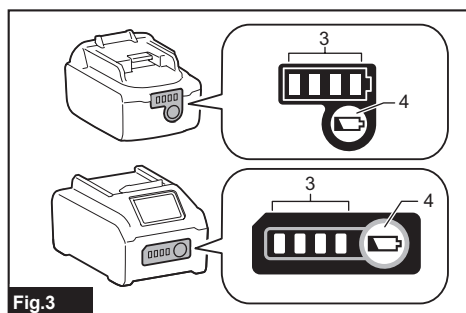


Fig. 3

► 3. Lámparas indicadoras 4. Botón de verificación

Lámparas indicadoras			Capacidad restante.
Encendido.	Apagado	Papadeando.	
■ ■ ■ ■			De 75% a 100%
■ ■ ■ □			50% a 75%
■ ■ □ □			25% a 50%
■ □ □ □			0% a 25%
▤ □ □ □			Cargue la batería.
■ ■ □ □	↑ ↓	■ ■	La batería podría estar presentando un mal funcionamiento.

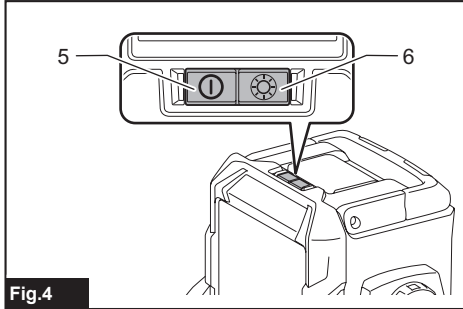
AVISO:

- Dependiendo de las condiciones de uso y la temperatura ambiente, la indicación puede diferir levemente de la capacidad real.
- La primera lámpara indicadora (en el extremo izquierdo) parpadeará cuando funcione el sistema de protección de la batería.

El uso de baterías Makita no originales o de baterías que hayan sido modificadas cancelará la garantía Makita del equipo Makita y del cargador.

Para encender la luz y la selección del nivel de brillo (Fig. 4)

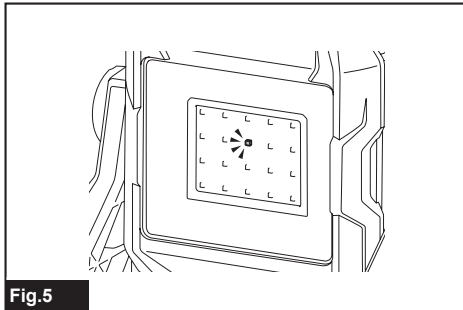
1. Interruptor: Oprima el interruptor una vez y la luz se encenderá (Al mismo nivel de brillo de la última configuración). Oprima nuevamente el interruptor y la luz se apagará.
2. Modo de selección de nivel de brillo: La secuencia del brillo es:
Modo Alto / Modo Bajo / Modo Alto para cada vez que oprima el interruptor cuando la luz esté encendida.



► 5. Interruptor 6. Modo de selección de nivel de brillo

Sistema de protección de la batería (Fig. 5)

El aparato está equipado con un sistema de protección de la batería a fin de extender la vida de ésta. Cuando la capacidad de la batería sea baja, las luces LED se apagarán a excepción de una luz LED tal como se muestra. Después de aproximadamente entre 5 y 10 minutos el sistema cortará la fuente de energía de manera automática.



OPERACIÓN

⚠ PRECAUCIÓN:

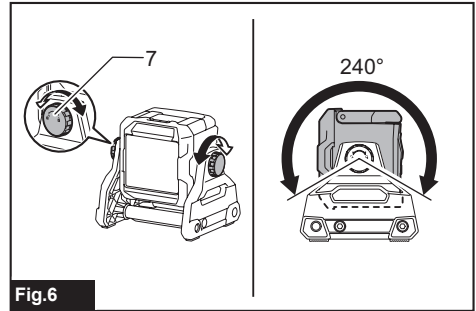
- Siempre coloque el equipo en un lugar plano y estable. De otro modo podría caerse ocasionando un accidente.

Ajuste el ángulo de la luz (Fig. 6)

Afioje las perillas en ambos lados. Ajuste el ángulo de la luz (el rango de ajuste es de 240°) Enseguida apriete nuevamente las perillas.

⚠ PRECAUCIÓN:

Tenga cuidado de no machucarse los dedos cuando ajuste el ángulo de la luz.



► 7. Perilla

Uso de trípodes (accesorios opcionales)

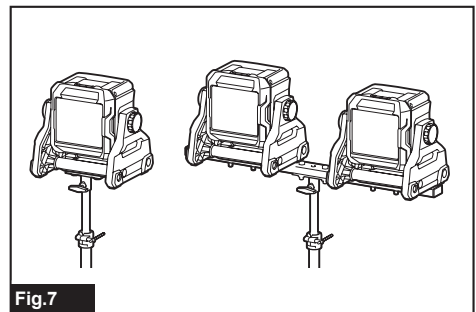
⚠ PRECAUCIÓN:

- Lea cuidadosamente los manuales instructivos de los accesorios antes de utilizarlos con la luz.

Puede poner la luz sobre el trípode para facilitar la operación. (Fig. 7)

⚠ PRECAUCIÓN:

- Tenga cuidado de no tirar el equipo cuando una éste sobre el trípode.
- Ponga el trípode en una superficie estable para prevenir caídas.
- Abra las patas del trípode al máximo.
- No use el trípode si el viento sopla fuerte.
- Asegúrese de que el equipo esté unido al trípode de manera segura.
- Retire el equipo cuando cargue el trípode o cuando doble las patas del mismo.
- Tenga cuidado de no machucarse las manos entre las patas del trípode cuando lo cierre.



MANTENIMIENTO

PRECAUCIÓN:

- Asegúrese siempre de que el aparato esté apagado y de que el cartucho de batería se retire antes de intentar realizar una inspección o mantenimiento.
- Nunca use gasolina, benceno, diluyente, alcohol o productos similares. Pueden producirse decoloración, deformación o grietas.

Únicamente el trabajo de mantenimiento tal como está descrito en el manual instructivo podrá ser llevado a cabo por el usuario. Cualquier otro trabajo deberá ser llevado a cabo por un centro de servicio autorizado Makita.

Limpieza.

PRECAUCIÓN:

- Nunca lave el equipo dentro de agua.
- Limpie de vez en cuando el exterior (cuerpo del equipo) utilizando una tela previamente humedecida en agua jabonosa.

ACCESORIOS OPCIONALES

PRECAUCIÓN:

- Estos accesorios son los recomendados para ser usados con su equipo Makita tal como está especificado en este manual. El uso de cualquier otro tipo de accesorios podría presentar riesgo de lesiones para personas. Use únicamente accesorios destinados para su propósito especificado.

Si requiere cualquier tipo de asistencia para más detalles respecto a estos accesorios, llame su centro de servicio local Makita.

- Batería y cargador auténtico Makita.
- Trípode [Número de Parte: GM00002073]

AVISO:

- Algunos de los ítems en esta lista podrían estar incluidos en el paquete del equipo como accesorios estándares. Estos podrían variar entre un país y otro.

GARANTÍA LIMITADA DE MAKITA

Consulte la hoja de garantía adjunta para conocer los términos de garantía más actuales que aplican a este producto. Si la hoja de garantía anexa no está disponible, consulte los detalles de la garantía detallados en el siguiente sitio web para su país respectivo.

Estados Unidos: www.makitatools.com

Canadá: www.makita.ca

Otros países: www.makita.com

Makita Corporation

3-11-8, Sumiyoshi-cho,
Anjo, Aichi 446-8502 Japan