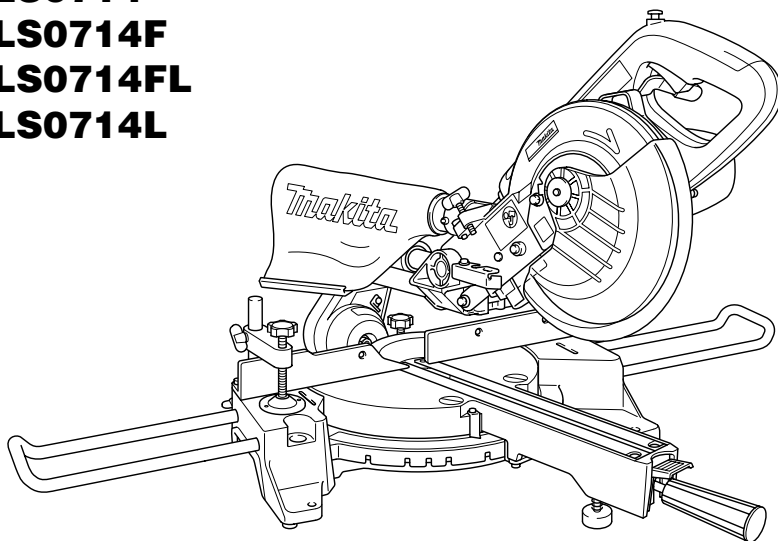
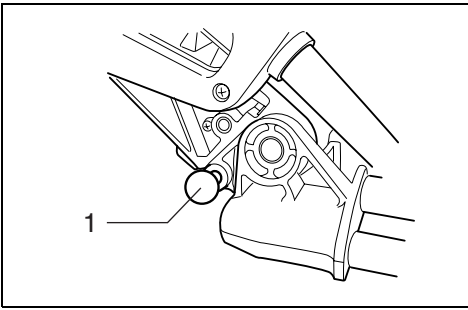




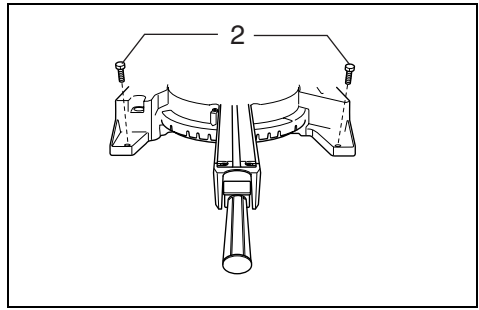
GB	Slide Compound Saw	Instruction Manual
F	Scie Multi Coupe	Manuel d'instructions
D	Gehrungs und Kappzugsäge	Betriebsanleitung
I	Sega composita a slitta	Istruzioni per l'uso
NL	Radiaal-/afkortzaag	Gebruiksaanwijzing
E	Sierra de Inglete	Manual de instrucciones
P	Serra de esquadria telescópica	Manual de instruções
DK	Kombineret afkorter-geringsav	Brugsanvisning
GR	Ολισθαίνοντα σύνθετο πριόνι	Οδηγίες χρήσεως

LS0714
LS0714F
LS0714FL
LS0714L

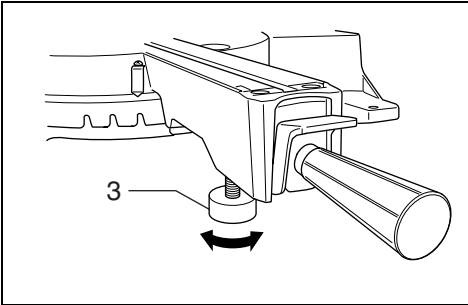




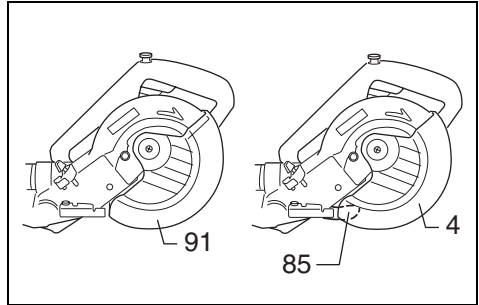
1



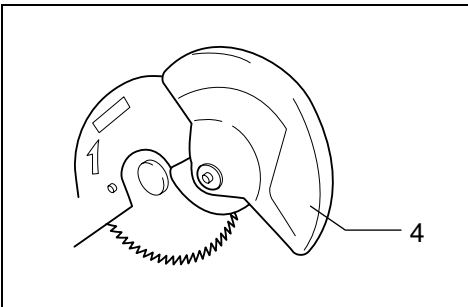
2



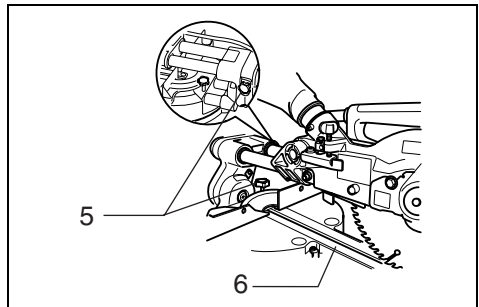
3



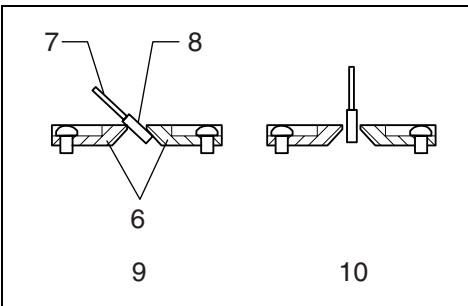
4



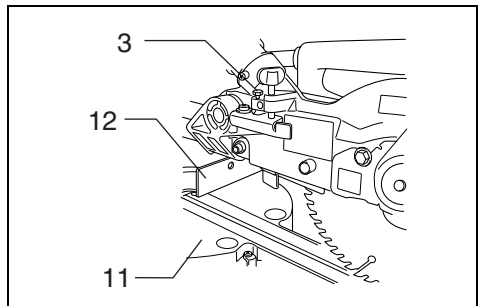
5



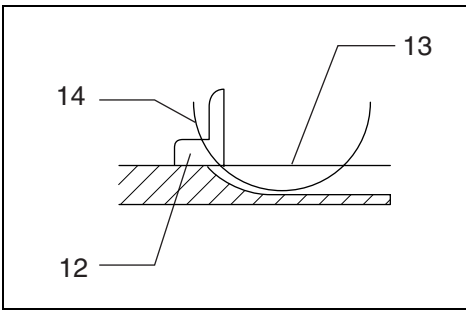
6



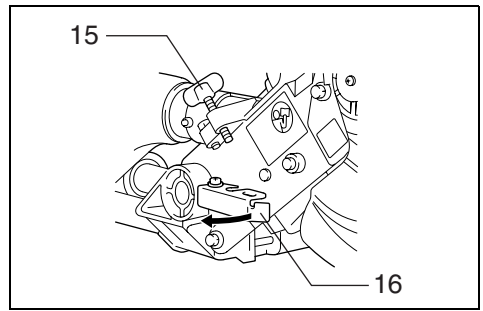
7



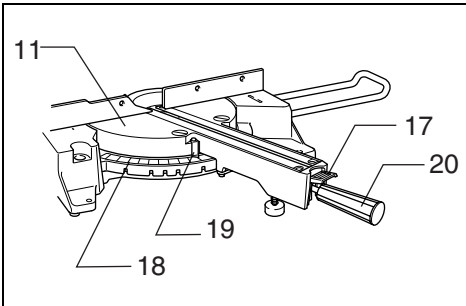
8



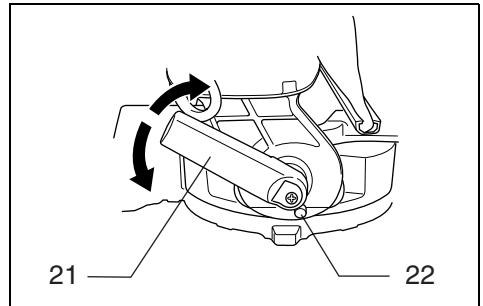
9



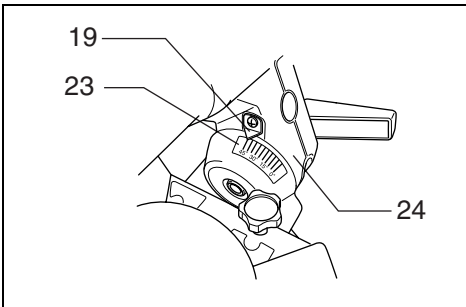
10



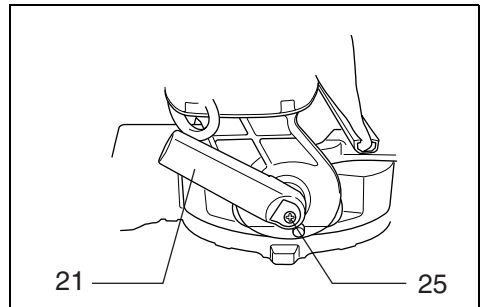
11



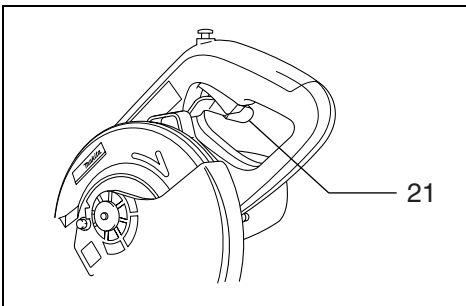
12



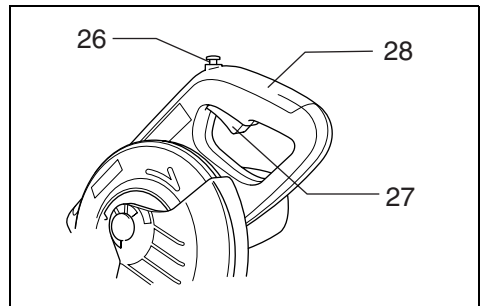
13



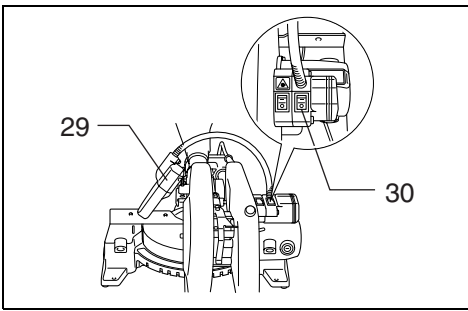
14



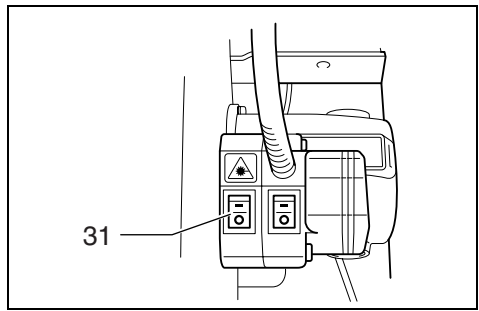
15



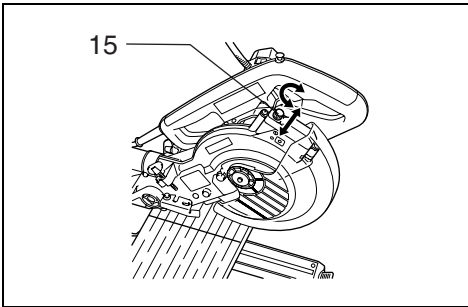
16



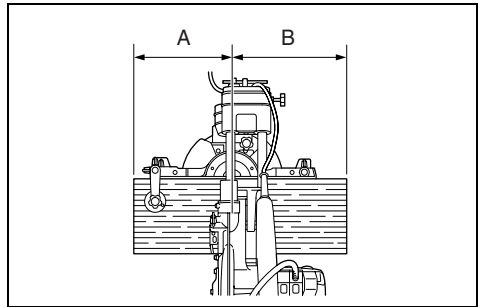
17



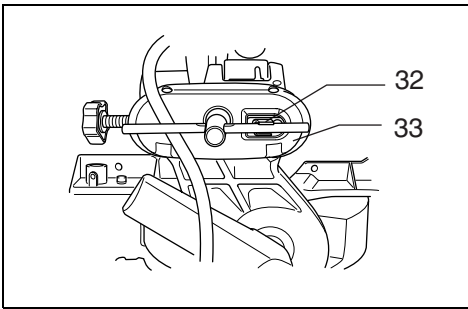
18



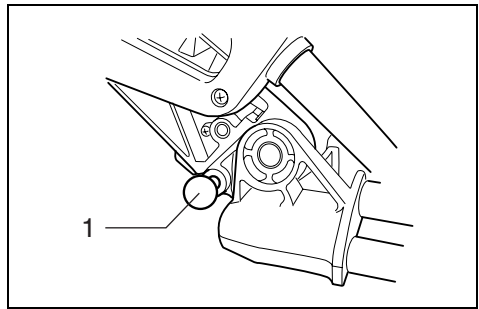
19



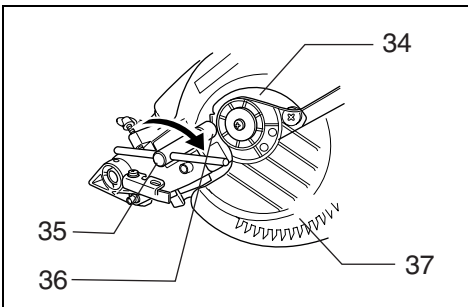
20



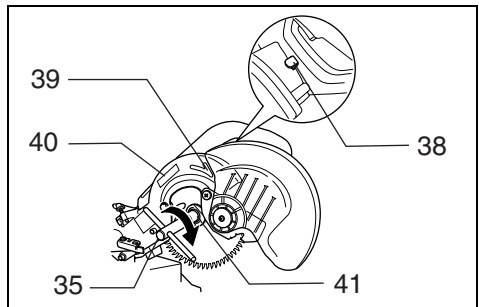
21



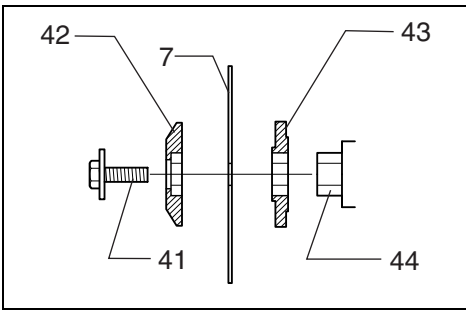
22



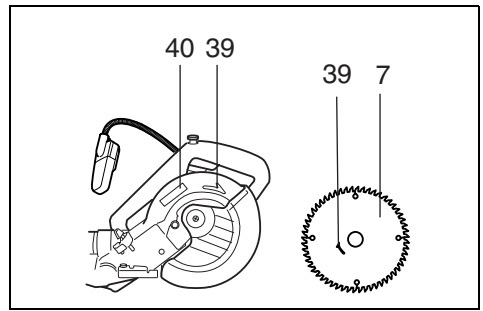
23



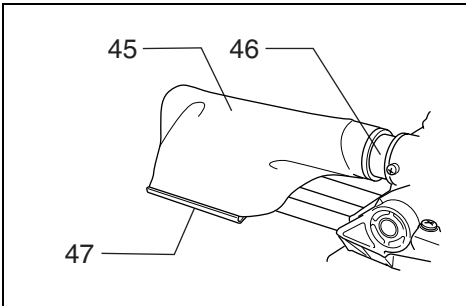
24



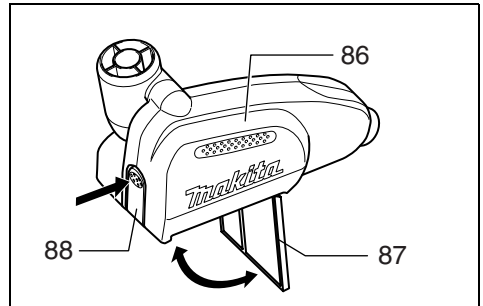
25



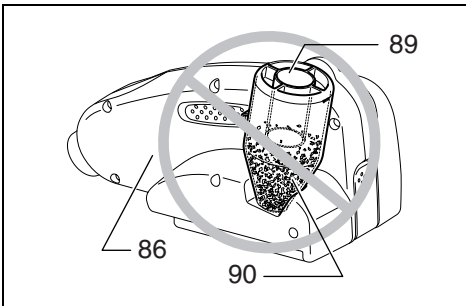
26



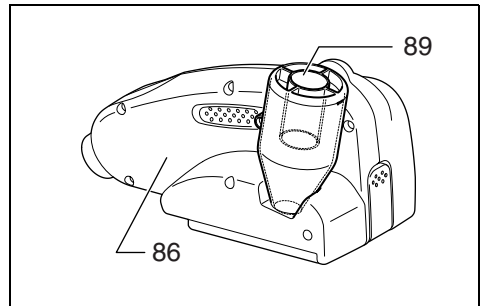
27



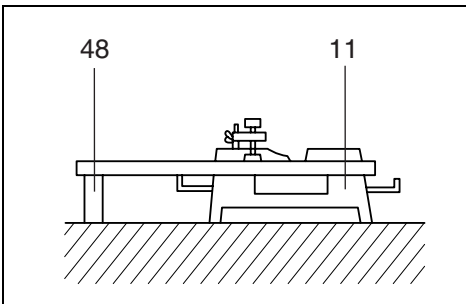
28



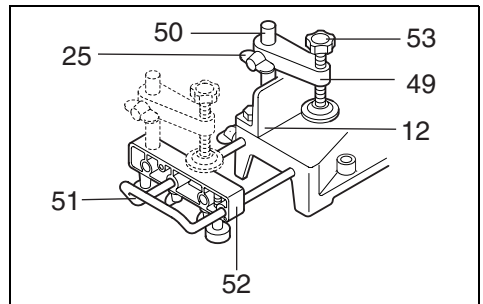
29



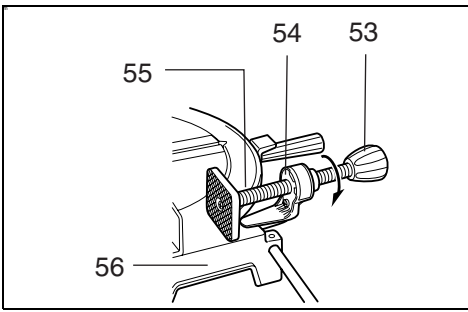
30



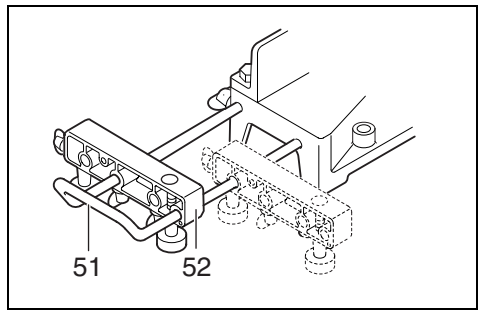
31



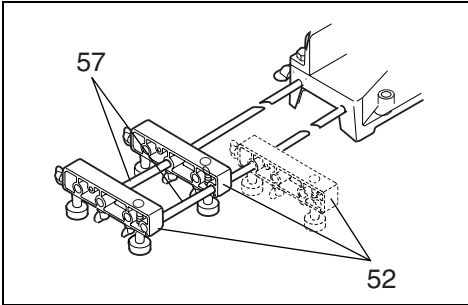
32



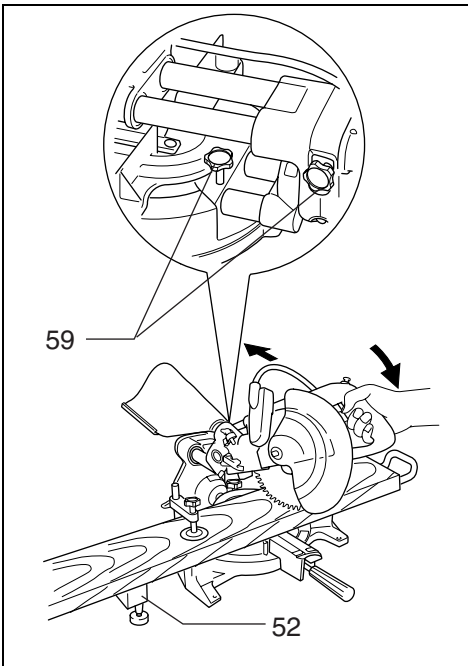
33



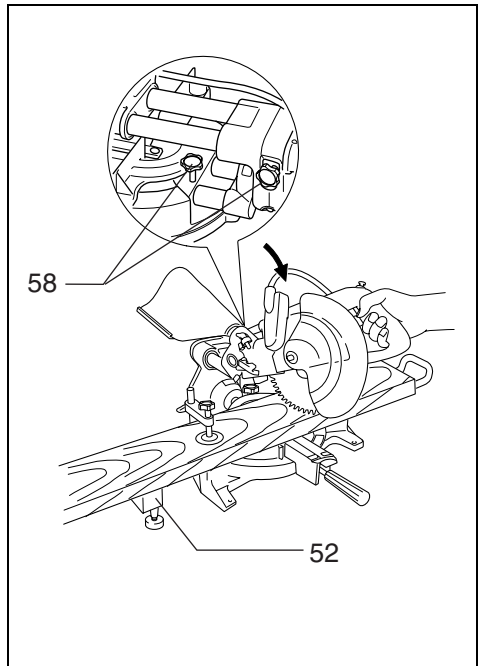
34



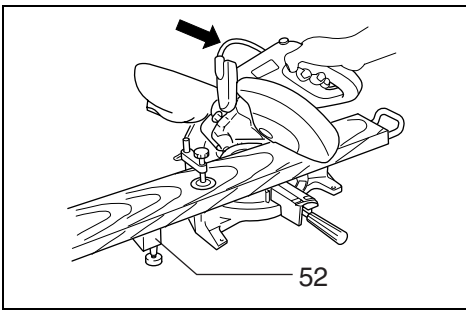
35



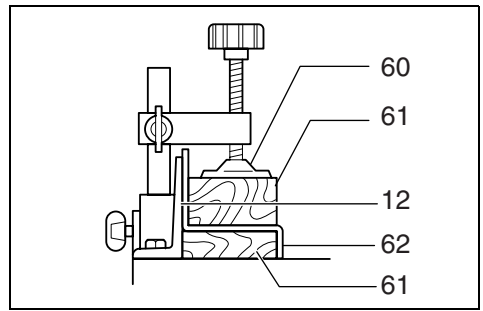
36



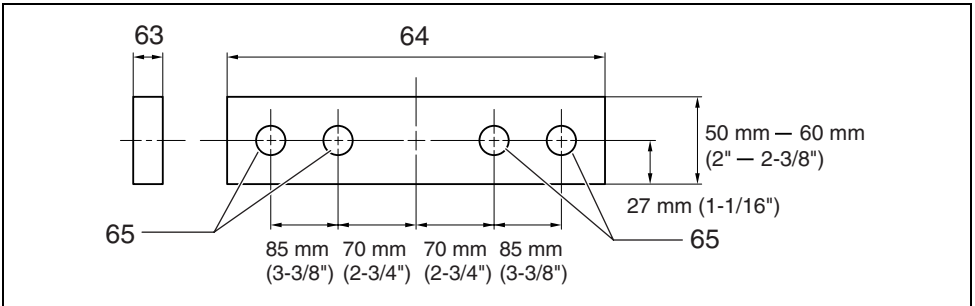
37



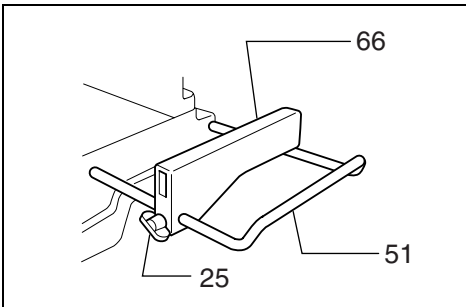
38



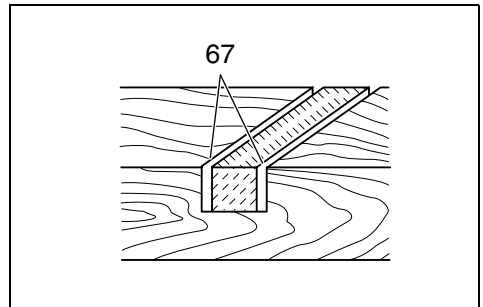
39



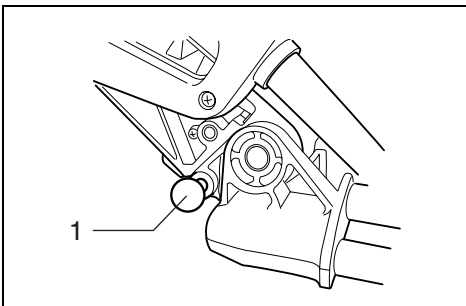
40



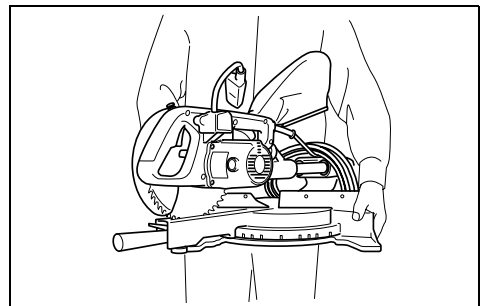
41



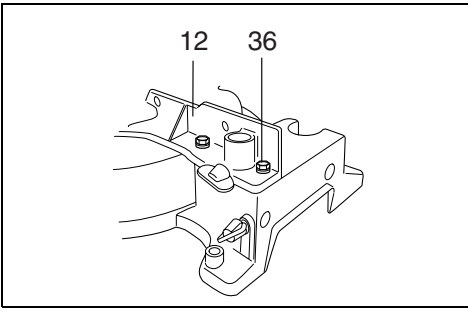
42



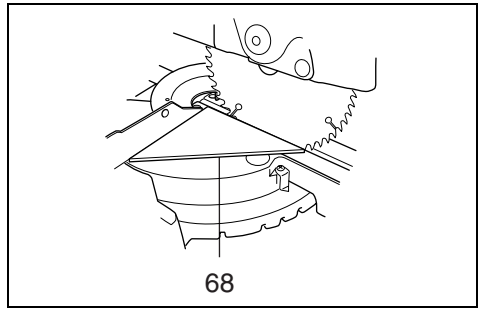
43



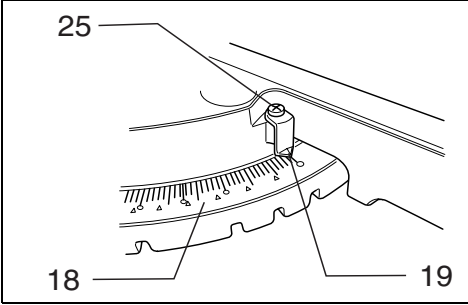
44



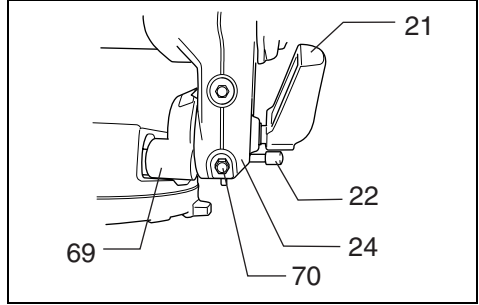
45



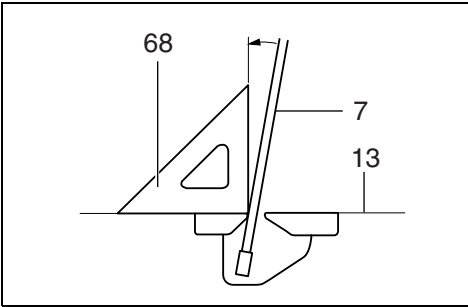
46



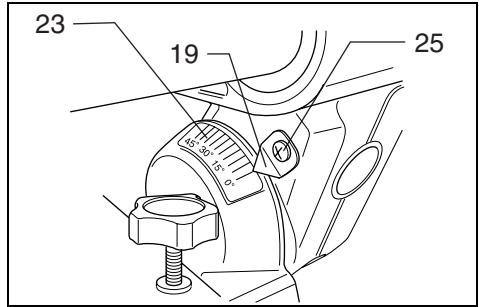
47



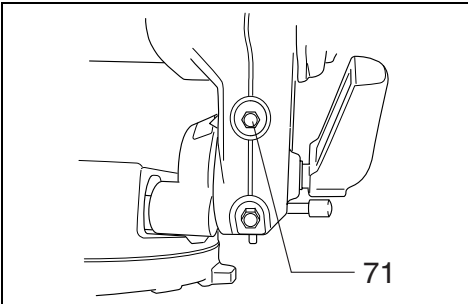
48



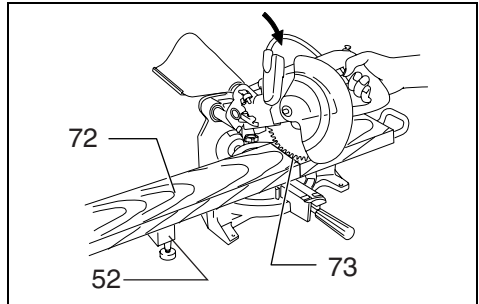
49



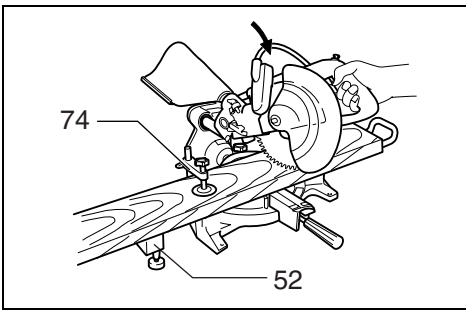
50



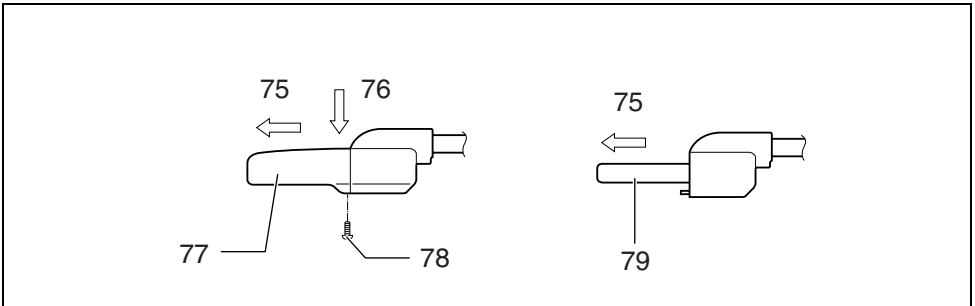
51



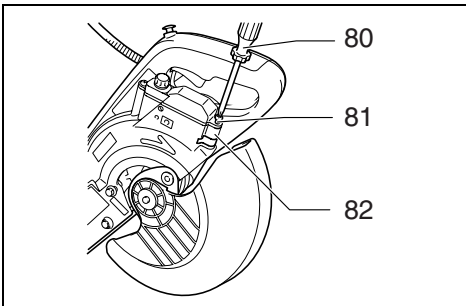
52



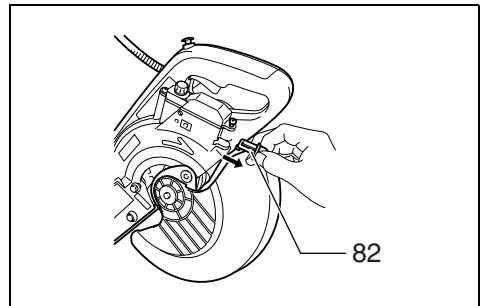
53



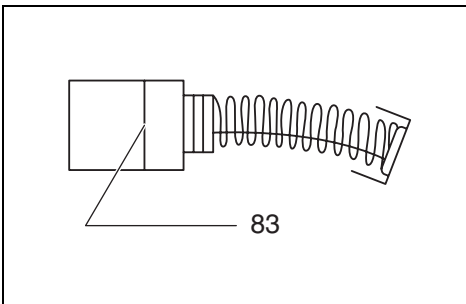
54



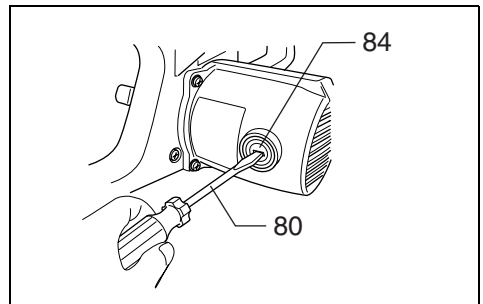
55



56



57



58

Symbols

The followings show the symbols used for the tool. Be sure that you understand their meaning before use.

Symboles

Nous donnons ci-dessous les symboles utilisés pour l'outil. Assurez-vous que vous en avez bien compris la signification avant d'utiliser l'outil.

Symboler

Die folgenden Symbole werden für die Maschine verwendet. Machen Sie sich vor der Benutzung unbedingt mit ihrer Bedeutung vertraut.

Simboli

Per questo utensile vengono usati i simboli seguenti. Bisogna capire il loro significato prima di usare l'utensile.

Symbolen

Voor dit gereedschap worden de volgende symbolen gebruikt. Zorg ervoor dat u de betekenis van deze symbolen begrijpt alvorens het gereedschap te gebruiken.

Símbolos

A continuación se muestran los símbolos utilizados con esta herramienta. Asegúrese de que entienda su significado antes de usarla.

Símbolos

O seguinte mostra os símbolos utilizados para a ferramenta. Certifique-se de que compreende o seu significado antes da utilização.

Symboler

Nedenstående symboler er anvendt i forbindelse med denne maskine. Vær sikker på, at De har forstået symbolernes betydning, før maskinen anvendes.

Σύμβολα

Ta ακόλουθα δείχνουν τα σύμβολα που χρησιμοποιούνται για το μηχάνημα. Βεβαιωθείτε ότι καταλαβαίνετε τη σημασία τους πριν από τη χρήση.



- Read instruction manual.
- Lire le mode d'emploi.
- Bitte Bedienungsanleitung lesen.
- Leggete il manuale di istruzioni.
- Lees de gebruiksaanwijzing.
- Lea el manual de instrucciones.
- Leia o manual de instruções.
- Læs brugsanvisningen.
- Διαβάστε τις οδηγίες χρήσης.



- DOUBLE INSULATION
- DOUBLE ISOLATION
- DOPPELT SCHUTZISOLIERT
- DOPPIO ISOLAMENTO
- DUBBELE ISOLATIE
- DOBLE AISLAMIENTO
- DUPLO ISOLAMENTO
- DOBBELT ISOLERET
- ΔΙΠΛΗ ΜΟΝΩΣΗ



- To avoid injury from flying debris, keep holding the saw head down, after making cuts, until the blade has come to a complete stop.
- Pour éviter les blessures causées par les objets projetés, maintenez la tête de la scie en position basse une fois la coupe terminée, jusqu'à ce que la lame soit complètement arrêtée.
- Um Verletzungen durch herausgeschleuderte Teile zu vermeiden, halten Sie den Sägekopf nach Ausführung von Schnitten abgesenkt, bis das Sägeblatt völlig zum Stillstand gekommen ist.
- Per evitare lesioni dalle schegge volanti, dopo aver eseguito il taglio tenere abbassata la testa sega finché la lama non si è arrestata completamente.
- Om verwonding door weggeslingerd zaagafval te voorkomen, dient u na het voltooiën van een snede de zaagkop omlaag te houden totdat het zaagblad volledig tot stilstand is gekomen.
- Para evitar sufrir heridas a causa de restos que salen despedidos, siga sujetando la cabeza de la sierra hacia abajo, al terminar los cortes, hasta que el disco se haya parado completamente.
- Para evitar danos causados por aparas que saltem, mantenha a cabeça da serra para baixo, depois de terminar os cortes, até que a lâmina esteja completamente parada.
- For at undgå at komme til skade på grund af flyvende affald, skal man holde savhovedet nede efter skæring, indtil savklingen står helt stille.
- Για να αποφύγετε τραυματισμό από ιπτάμενα τεμαχίδια, κρατάτε το πριόνι με το κεφάλι προς τα κάτω, αφού κάνετε κοπές, μέχρι η λάμα να σταματήσει τελείως.



- When performing slide cut, first pull carriage fully and press down handle, then push carriage toward the guide fence.
- Lorsque vous effectuez une coupe en glissière, tirez d'abord complètement le chariot et abaissez la poignée, puis poussez le chariot vers le guide.
- Ziehen Sie den Schlitten zur Ausführung von Schiebeschnitten zunächst ganz vor, drücken Sie den Griff nach unten, und schieben Sie dann den Schlitten zum Gehrunganschlag.
- Per eseguire un taglio di scorrimento, tirare prima completamente il carrello, premere giù il manico e spingere poi il carrello verso la guida pezzo.
- Bij drukkend (glijdend) zagen, dient u eerst de slede volledig naar u toe te trekken en het handvat omlaag te drukken. Duw daarna de slede naar de geleider toe.
- Cuando haga cortes de deslizamiento, primero tire del carro completamente y presione hacia abajo la empuñadura, después empuje el carro hacia la guía lateral.
- Quando executa corte corrediço, puxe primeiro o carro completamente e empurre a pega para baixo e em seguida empurre o carro na direção da placa guia.
- Når man udfører savning ved gliden, skal man først trække slæden helt og trykke håndtaget ned og derefter trykke slæden mod anslaget.
- Όταν εκτελείτε ολισθητική κοπή, πρώτα τραβήχτε την κινητή βάση πλήρως και πατήστε την λαβή κάτω, μετά σπρώχτε την κινητή βάση προς τον φράχτη οδηγό.



- Do not place hand or fingers close to the blade.
- Ne pas placer les mains ou les doigts près de la lame.
- Halten Sie Hände oder Finger vom Sägeblatt fern.
- Non avvicinare le mani o le dita alla lama.
- Kom met uw handen of vingers niet te dicht bij het zaagblad.
- No ponga la mano ni los dedos cerca del disco.
- Não coloque a sua mão ou dedos perto da lâmina.
- Hold hænder og fingre på god afstand af klingens.
- Μη βάζετε το χέρι ή τα δάκτυλα κοντά στην λάμα.



- Never look into the laser beam. Direct laser beam may injure your eyes.
- Ne jamais regarder directement la source du faisceau laser. L'exposition directe au faisceau laser comporte un risque de blessure aux yeux.
- Blicken Sie auf keinen Fall in den Laserstrahl. Der direkte Laserstrahl kann Ihre Augen verletzen.
- Mai guardare direttamente il raggio laser. Il raggio laser può danneggiare gli occhi.
- Kijk nooit in de laserstraal. Een directe laserstraal kan oogletsel veroorzaken.
- No mire nunca directamente al rayo láser. El rayo láser directo puede dañar sus ojos.
- Nunca olhe para o raio laser. Se olhar directamente para o raio laser pode ferir os seus olhos.
- Se aldrig ind i laserstrålen. Direkte udsættelse for laserstråling kan skade dit syn.
- Ποτέ μη κυττάτε απευθείας την ακτίνα λέιζερ. Η απευθείας ακτίνα λέιζερ μπορεί να προκαλέσει τραυματισμό στα μάτια σας.



- Only for EU countries

Do not dispose of electric equipment together with household waste material!

In observance of European Directive 2002/96/EC on waste electrical and electronic equipment and its implementation in accordance with national law, electric equipment that have reached the end of their life must be collected separately and returned to an environmentally compatible recycling facility.

- Pour les pays européens uniquement

Ne pas jeter les équipements électriques dans les ordures ménagères !

Conformément à la directive européenne 2002/96/EG relative aux déchets d'équipements électriques ou électroniques (DEEE), et à sa transposition dans la législation nationale, les équipements électriques doivent être collectés à part et être soumis à un recyclage respectueux de l'environnement.

- Nur für EU-Länder

Werfen Sie Elektrogeräte nicht in den Hausmüll!

Gemäß Europäischer Richtlinie 2002/96/EG über Elektro- und Elektronik-Altgeräte und Umsetzung in nationales Recht müssen verbrauchte Elektrogeräte getrennt gesammelt und einer umweltgerechten Wiederverwertung zugeführt werden.

- Solo per Paesi UE

Non gettare le apparecchiature elettriche tra i rifiuti domestici.

Secondo la Direttiva Europea 2002/96/CE sui rifiuti di apparecchiature elettriche ed elettroniche e la sua attuazione in conformità alle norme nazionali, le apparecchiature elettriche esauste devono essere raccolte separatamente, al fine di essere riciclate in modo eco-compatibile.

- Alleen voor EU-landen

Geef elektrische apparaten niet met het huisvuil mee!

Volgens de Europese richtlijn 2002/96/EG inzake oude elektrische en elektronische apparaten en de toepassing daarvan binnen de nationale wetgeving, dient gebruikt elektrische apparaten gescheiden te worden ingezameld en te worden afgevoerd naar een recycle bedrijf dat voldoet aan de geldende milieu-eisen.

- Sólo para países de la Unión Europea

¡No deseche los aparatos eléctricos junto con los residuos domésticos!

De conformidad con la Directiva Europea 2002/96/CE sobre residuos de aparatos eléctricos y electrónicos y su aplicación de acuerdo con la legislación nacional, los aparatos eléctricos cuya vida útil haya llegado a su fin se deberán recoger por separado y trasladar a una planta de reciclaje que cumpla con las exigencias ecológicas.

- Apenas para países da UE

Não deite ferramentas eléctricas no lixo doméstico!

De acordo com a directiva europeia 2002/96/CE sobre ferramentas eléctricas e electrónicas usadas e a sua aplicação para as leis nacionais, as ferramentas eléctricas usadas devem ser recolhidas em separado e encaminhadas a uma instalação de reciclagem dos materiais ecológicos.

- Kun for EU-lande

Elværktøj må ikke bortskaffes som almindeligt affald!

I henhold til det europæiske direktiv 2002/96/EF om bortskaffelse af elektriske og elektroniske produkter og gældende national lovgivning skal brugt elværktøj indsamles separat og returneres til miljøgodkendt genindvinding.

- Μόνο για τις χώρες της ΕΕ

Μη πετάτε τα είδη ηλεκτρικού εξοπλισμού μαζί με τα οικιακά απορρίμματα.

Σε τήρηση της Ευρωπαϊκής Οδηγίας 2002/96/ΕΚ, περί απορριμμάτων ειδών ηλεκτρικού και ηλεκτρονικού εξοπλισμού και την εφαρμογή της σύμφωνα με την εθνική νομοθεσία, τα είδη ηλεκτρικού εξοπλισμού που έχουν φθάσει στο τέλος της ζωής τους πρέπει να συλλέγονται ξεχωριστά και να επιστρέφονται σε μιά περιβαλλοντικά συμβατή εγκατάσταση ανακύκλωσης.

ENGLISH

Explanation of general view

1 Stopper pin	34 Center cover	64 Over 420 mm
2 Bolt	35 Socket wrench	65 Holes
3 Adjusting bolt	36 Hex bolt	66 Set plate
4 Blade guard A	37 Safety cover	67 Cut grooves with blade
5 Thumb screw	38 Shaft lock	68 Triangular rule
6 Kerf board	39 Arrow	69 Arm holder
7 Saw blade	40 Blade case	70 0 degree bevel angle adjusting bolt
8 Blade teeth	41 Hex bolt (left-handed)	71 Left 45 degrees bevel angle adjusting bolt
9 Left bevel cut	42 Outer flange	72 Work piece
10 Straight cut	43 Inner flange	73 Cutting line
11 Turn base	44 Spindle	74 Vertical vise
12 Guide fence	45 Dust bag	75 Pull out
13 Top surface of turn table	46 Dust nozzle	76 Push
14 Periphery of blade	47 Fastener	77 Lamp box
15 Adjusting screw	48 Support	78 Screws
16 Stopper arm	49 Vise arm	79 Fluorescent tube
17 Lock lever	50 Vise rod	80 Screwdriver
18 Miter scale	51 Holder	81 Screw (one piece only)
19 Pointer	52 Holder assembly (optional accessory)	82 Lens for the laser light
20 Grip	53 Vise knob	83 Limit mark
21 Lever	54 Projection	84 Brush holder cap
22 Release button	55 Vise shaft	85 Blade guard B (For European countries)
23 Bevel scale	56 Base	86 Dust box
24 Arm	57 Rod 12	87 Cover
25 Screw	58 Two clamping screws which secure the slide pole	88 Button
26 Lock-off button	59 Two clamping screws which secure the slide pole	89 Cylinder part
27 Switch trigger	60 Vise	90 Sawdust
28 Handle	61 Spacer block	91 Blade guard
29 Light	62 Aluminum extrusion	
30 Light switch	63 Over 15 mm	
31 Switch for laser		
32 Wrench holder		
33 Pipe holder		

SPECIFICATIONS

Model

LS0714/LS0714F/LS0714FL/LS0714L

Blade diameter	190 mm
Hole (arbor) diameter	20 mm
Max. Miter angle	Left 47°, Right 57°
Max. Bevel angle	Left 45°, Right 5°
Max. Cutting capacities (H x W) with blade 190 mm in diameter.	

Miter angle	Bevel angle		
	45° (left)	0°	5° (right)
0°	*45 mm x 265 mm (Note 1)	*60 mm x 265 mm (Note 1)	—
	40 mm x 300 mm	52 mm x 300 mm	40 mm x 300 mm
45° (left and right)	*45 mm x 185 mm (Note 2)	*60 mm x 185 mm (Note 2)	—
	40 mm x 212 mm	52 mm x 212 mm	—
57° (right)	—	*60 mm x 145 mm (Note 3)	—
	—	52 mm x 163 mm	—

(Note)

* mark indicates that a wood facing with the following thickness is used.

1: When using a wood facing 20 mm thick.

2: When using a wood facing 15 mm thick.

3: When using a wood facing 10 mm thick.

No load speed (min ⁻¹)	6,000
Laser Type (LS0714FL/L).....	Red Laser 650 nm, <1mW (Laser Class 2)
Dimensions (L x W x H)	670 mm x 430 mm x 458 mm
Net weight	LS0714: 13.1 kg, LS0714F: 13.4 kg, LS0714FL: 13.7 kg, LS0714L: 13.5 kg

- Due to our continuing program of research and development, the specifications herein are subject to change without notice.
- Specifications may differ from country to country.
- Weight according to EPTA-Procedure 01/2003

Intended use

The tool is intended for accurate straight and miter cutting in wood. With appropriate saw blades, aluminum can also be sawed.

Power supply

The tool should be connected only to a power supply of the same voltage as indicated on the nameplate, and can only be operated on single-phase AC supply. They are double-insulated in accordance with European Standard and can, therefore, also be used from sockets without earth wire.

Safety hints

For your own safety, please refer to the enclosed safety instructions.

ADDITIONAL SAFETY RULES FOR TOOL

ENB034-3

1. **Wear eye protection.**
2. **Keep hands out of path of saw blade. Avoid contact with any coasting blade. It can still cause severe injury.**
3. **Do not operate saw without guards in place. Check blade guard for proper closing before each use. Do not operate saw if blade guard does not move freely and close instantly. Never clamp or tie the blade guard into the open position.**
4. **Do not perform any operation freehand.** The workpiece must be secured firmly against the turn base and guide fence with the vise during all operations. Never use your hand to secure the workpiece.
5. **Never reach around saw blade.**
6. **Turn off tool and wait for saw blade to stop before moving workpiece or changing settings.**
7. **Unplug tool before changing blade or servicing.**
8. **Always secure all moving portions before carrying the tool.**
9. **Stopper pin which locks the cutter head down is for carrying and storage purposes only and not for any cutting operations.**
10. Do not use the tool in the presence of flammable liquids or gases.
11. Check the blade carefully for cracks or damage before operation.
Replace cracked or damaged blade immediately.
12. Use only flanges specified for this tool.
13. Be careful not to damage the arbor, flanges (especially the installing surface) or bolt. Damage to these parts could result in blade breakage.
14. Make sure that the turn base is properly secured so it will not move during operation.
15. For your safety, remove the chips, small pieces, etc. from the table top before operation.
16. Avoid cutting nails. Inspect for and remove all nails from the workpiece before operation.
17. Make sure the shaft lock is released before the switch is turned on.
18. Be sure that the blade does not contact the turn base in the lowest position.
19. Hold the handle firmly. Be aware that the saw moves up or down slightly during start-up and stopping.
20. Make sure the blade is not contacting the workpiece before the switch is turned on.
21. Before using the tool on an actual workpiece, let it run for a while. Watch for vibration or wobbling that could indicate poor installation or a poorly balanced blade.
22. Wait until the blade attains full speed before cutting.
23. Stop operation immediately if you notice anything abnormal.
24. Do not attempt to lock the trigger in the on position.
25. Be alert at all times, especially during repetitive, monotonous operations. Do not be lulled into a false sense of security. Blades are extremely unforgiving.
26. Always use accessories recommended in this manual. Use of improper accessories such as abrasive wheels may cause an injury.
27. **Do not use the saw to cut other than aluminum, wood or similar materials.**
28. **Connect miter saws to a dust collecting device when sawing.**
29. **Select saw blades in relation to the material to be cut.**
30. **Take care when slotting.**
31. **Replace the kerf board when worn.**
32. **Do not use saw blades manufactured from high speed steel.**
33. **Some dust created from operation contains chemicals known to cause cancer, birth defects or other reproductive harm. Some examples of these chemicals are:**
 - lead from lead-based-painted material and,
 - arsenic and chromium from chemically-treated lumber.

Your risk from these exposures varies, depending on how often you do this type of work. To reduce your exposure to these chemicals: work in a well ventilated area and work with approved safety equipment, such as those dust masks that are specially designed to filter out microscopic particles.
34. **To reduce the emitted noise, always be sure that the blade is sharp and clean.**
35. **The operator is adequately trained in the use, adjustment and operation of the machine.**
36. **Use correctly sharpened saw blades. Observe the maximum speed marked on the saw blade.**
37. **Refrain from removing any cut-offs or other parts of the workpiece from the cutting area whilst the machine is running and the saw head is not in the rest position.**

SAVE THESE INSTRUCTIONS.

INSTALLATION

Bench mounting

When the tool is shipped, the handle is locked in the lowered position by the stopper pin. Release the stopper pin by lowering the handle slightly and pulling the stopper pin. (Fig. 1)

This tool should be bolted with two bolts to a level and stable surface using the bolt holes provided in the tool's base. This will help prevent tipping and possible injury. (Fig. 2)

Turn the adjusting bolt clockwise or counterclockwise so that it comes into a contact with the floor surface to keep the tool stable. (Fig. 3)

FUNCTIONAL DESCRIPTION

CAUTION:

- Always be sure that the tool is switched off and unplugged before adjusting or checking function on the tool.

Blade guard (Fig. 4 & 5)

For all countries other than European countries

When lowering the handle, the blade guard rises automatically. The guard is spring loaded so it returns to its original position when the cut is completed and the handle is raised. NEVER DEFEAT OR REMOVE THE BLADE GUARD OR THE SPRING WHICH ATTACHES TO THE GUARD.

In the interest of your personal safety, always maintain the blade guard in good condition. Any irregular operation of the blade guard should be corrected immediately. Check to assure spring loaded return action of guard. NEVER USE THE TOOL IF THE BLADE GUARD OR SPRING ARE DAMAGED, FAULTY OR REMOVED. DOING SO IS HIGHLY DANGEROUS AND CAN CAUSE SERIOUS PERSONAL INJURY.

For European countries

When lowering the handle, the blade guard A rises automatically. The blade guard B rises as it contacts a workpiece. The guards are spring loaded so it returns to its original position when the cut is completed and the handle is raised. NEVER DEFEAT OR REMOVE THE BLADE GUARDS OR THE SPRING WHICH ATTACHES TO THE GUARD.

In the interest of your personal safety, always maintain each blade guard in good condition. Any irregular operation of the blade guards should be corrected immediately. Check to assure spring loaded return action of guards. NEVER USE THE TOOL IF THE BLADE GUARDS OR SPRING ARE DAMAGED, FAULTY OR REMOVED. DOING SO IS HIGHLY DANGEROUS AND CAN CAUSE SERIOUS PERSONAL INJURY.

If the see-through blade guard becomes dirty, or sawdust adheres to it in such a way that the blade is no longer easily visible, unplug the saw and clean the guard carefully with a damp cloth. Do not use solvents or any petroleum-based cleaners on the plastic guard.

If the blade guard is especially dirty and vision through the guard is impaired, use the supplied socket wrench to loosen the hex bolt holding the center cover. Loosen the hex bolt by turning it counterclockwise and raise the blade guard and center cover. With the blade guard so positioned, cleaning can be more completely and efficiently accomplished. When cleaning is complete, reverse procedure above and secure bolt. Do not remove spring holding blade guard. If guard becomes discolored through age or UV light exposure, contact a Makita service center for a new guard. DO NOT DEFEAT OR REMOVE GUARD.

Positioning kerf board (Fig. 6 & 7)

This tool is provided with the kerf boards in the turn base to minimize tearing on the exit side of a cut. The kerf boards are factory adjusted so that the saw blade does not contact the kerf boards. Before use, adjust the kerf boards as follows:

First, unplug the tool. Loosen all the screws (2 each on left and right) securing the kerf boards. Re-tighten them only to the extent that the kerf boards can still be easily moved by hand. Lower the handle fully and push in the stopper pin to lock the handle in the lowered position. Loosen two clamp screws which secure the slide poles. Pull the carriage toward you fully. Adjust the kerf boards so that the kerf boards just contact the sides of the blade teeth. Tighten the front screws (do not tighten firmly). Push the carriage toward the guide fence fully and adjust the kerf boards so that the kerf boards just contact the sides of blade teeth. Tighten the rear screws (do not tighten firmly).

After adjusting the kerf boards, release the stopper pin and raise the handle. Then tighten all the screws securely.

CAUTION:

- Before and after changing the bevel angle, always adjust the kerf boards as described above.

Maintaining maximum cutting capacity (Fig. 8 & 9)

This tool is factory adjusted to provide the maximum cutting capacity for a 190 mm saw blade.

When installing a new blade, always check the lower limit position of the blade and if necessary, adjust it as follows: First, unplug the tool. Push the carriage toward the guide fence fully and lower the handle completely. Use the socket wrench to turn the adjusting bolt until the periphery of the blade extends slightly below the top surface of the turn base at the point where the front face of the guide fence meets the top surface of the turn base.

With the tool unplugged, rotate the blade by hand while holding the handle all the way down to be sure that the blade does not contact any part of the lower base. Re-adjust slightly, if necessary.

CAUTION:

- After installing a new blade, always be sure that the blade does not contact any part of the lower base when the handle is lowered completely. Always do this with the tool unplugged.

Stopper arm (Fig. 10)

The lower limit position of the blade can be easily adjusted with the stopper arm. To adjust it, move the stopper arm in the direction of the arrow as shown in the figure. Adjust the adjusting screw so that the blade stops at the desired position when lowering the handle fully.

Adjusting the miter angle (Fig. 11)

Loosen the grip by turning counterclockwise. Turn the turn base while pressing down the lock lever. When you have moved the grip to the position where the pointer points to the desired angle on the miter scale, securely tighten the grip clockwise.

CAUTION:

- When turning the turn base, be sure to raise the handle fully.
- After changing the miter angle, always secure the turn base by tightening the grip firmly.

Adjusting the bevel angle (Fig. 12 & 13)

To adjust the bevel angle, loosen the lever at the rear of the tool counterclockwise.

Push the handle to the left to tilt the saw blade until the pointer points to the desired angle on the bevel scale. Then tighten the lever clockwise firmly to secure the arm. To tilt the blade to the right, push the release button at the rear of the tool while tilting the blade slightly to the left after loosening the lever. With the release button depressed, tilt the saw blade to the right.

CAUTION:

- When tilting the saw blade, be sure to raise the handle fully.
- After changing the bevel angle, always secure the arm by tightening the lever clockwise.
- When changing bevel angles, be sure to position the kerf boards appropriately as explained in the "Positioning kerf board" section.

Adjusting the lever position (Fig. 14)

The lever can be repositioned at every angle 30° when the lever does not provide full tightening.

Loosen and remove the screw that secures the lever at the rear of the tool. Remove the lever and install it again so that it is slightly above the level. Secure the lever with the screw firmly.

Switch action

CAUTION:

- Before plugging in the tool, always check to see that the switch trigger actuates properly and returns to the "OFF" position when released.
- When not using the tool, remove the lock-off button and store it in a secure place. This prevents unauthorized operation.
- Do not pull the switch trigger hard without pressing in the lock-off button. This can cause switch breakage.

For European countries (Fig. 15)

To prevent the switch trigger from being accidentally pulled, a lock-off button is provided. To start the tool, push the lever to the left, press in the lock-off button and then pull the switch trigger. Release the switch trigger to stop.

For all countries other than European countries (Fig. 16)

To prevent the switch trigger from being accidentally pulled, a lock-off button is provided. To start the tool, press in the lock-off button and pull the switch trigger. Release the switch trigger to stop.

WARNING:

- NEVER use tool without a fully operative switch trigger. Any tool with an inoperative switch is HIGHLY DANGEROUS and must be repaired before further usage.
- For your safety, this tool is equipped with a lock-off button which prevents the tool from unintended starting. NEVER use the tool if it runs when you simply pull the switch trigger without pressing the lock-off button. Return tool to a Makita service center for proper repairs BEFORE further usage.
- NEVER tape down or defeat purpose and function of lock-off button.

Lighting up the lamps (Fig. 17)

For model LS0714F, LS0714FL

CAUTION:

- This is not a rainproof light. Do not wash the light in water or use it in a rain or a wet area. Such a conduct can cause an electric shock and fume.
- Do not touch the lens of the light, as it is very hot while it is lighted or shortly after it is turned off. This may cause a burn to a human body.
- Do not apply impact to the light, which may cause damage or shorted service time to it.
- Do not keep casting the beam of the light to your eyes. This can cause your eyes to be hurt.
- Do not cover the light with clothes, carton, cardboard or similar objects while it is lighted, which can cause a fire or an ignition.

Push the upper position of the switch for turning on the light and the lower position for off.
Move the light to shift an area of lighting.

NOTE:

- Use a dry cloth to wipe the dirt off the lens of lamp. Be careful not to scratch the lens of light, or it may lower the illumination.

Laser beam action (Fig. 18 & 19)

For model LS0714FL, LS0714L

CAUTION:

- Never look into the laser beam. Direct laser beam may injure your eyes.
- LASER RADIATION, DO NOT STARE INTO THE BEAM OR VIEW DIRECTLY WITH OPTICAL INSTRUMENTS, CLASS 2M LASER PRODUCT.

To turn on the laser beam, press the upper position (I) of the switch. Press the lower position (O) to turn off.

Laser line can be shifted to either the left or right side of the saw blade by adjusting the adjusting screw as follows.

1. Loosen the adjusting screw by turning it counterclockwise.
2. With the adjusting screw loosened, slide the adjusting screw to the right or left as far as it goes.
3. Tighten the adjusting screw firmly at the position where it stops sliding.

Laser line is factory adjusted so that it is positioned within 1 mm from the side surface of the blade (cutting position).

NOTE:

- When laser line is dim and almost or entirely invisible because of the direct sunlight in the indoor or outdoor window-by work, relocate the work area to a place not exposed to the direct sunlight.

Aligning the laser line (Fig. 20)

Laser line can be shifted to either the left or right side of the blade according to the applications of cutting. Refer to explanation titled "Laser beam action" regarding its shifting method.

NOTE:

- Use wood facing against the guide fence when aligning the cutting line with the laser line at the side of guide fence in compound cutting (bevel angle 45 degrees and miter angle right 45 degrees).
- A) When you obtain correct size on the left side of workpiece
- Shift the laser line to the left of the blade.
- B) When you obtain correct size on the right side of workpiece
- Shift the laser line to the right of the blade.

Align the cutting line on your workpiece with the laser line.

ASSEMBLY

CAUTION:

- Always be sure that the tool is switched off and unplugged before carrying out any work on the tool.

Socket wrench storage (Fig. 21)

The socket wrench is stored as shown in the figure. When using the socket wrench, pull it out of the wrench holder. After using the socket wrench, return it to the wrench holder.

Installing or removing saw blade

CAUTION:

- Always be sure that the tool is switched off and unplugged before installing or removing the blade.
- Use only the Makita socket wrench provided to install or remove the blade. Failure to do so may result in overtightening or insufficient tightening of the hex bolt. This could cause an injury.

Lock the handle in the raised position by pushing in the stopper pin. (Fig. 22)

To remove the blade, use the socket wrench to loosen the hex bolt holding the center cover by turning it counterclockwise. Raise the blade guard and center cover. (Fig. 23)

Press the shaft lock to lock the spindle and use the socket wrench to loosen the hex bolt clockwise. Then remove the hex bolt, outer flange and blade. (Fig. 24)

To install the blade, mount it carefully onto the spindle, making sure that the direction of the arrow on the surface of the blade matches the direction of the arrow on the blade case. Install the outer flange and hex bolt, and then use the socket wrench to tighten the hex bolt (left-handed) securely counterclockwise while pressing the shaft lock.

Return the blade guard and center cover to its original position. Then tighten the hex bolt clockwise to secure the center cover. Release the handle from the raised position by pulling the stopper pin. Lower the handle to make sure that the blade guard moves properly. Make sure shaft lock has released spindle before making cut. (Fig. 25 & 26)

Dust bag (accessory) (Fig. 27)

The use of the dust bag makes cutting operations clean and dust collection easy. To attach the dust bag, fit it onto the dust nozzle.

When the dust bag is about half full, remove the dust bag from the tool and pull the fastener out. Empty the dust bag of its contents, tapping it lightly so as to remove particles adhering to the insides which might hamper further collection.

NOTE:

If you connect a Makita vacuum cleaner to your saw, more efficient and cleaner operations can be performed.

Dust box (accessory) (Fig. 28, 29 & 30)

Insert the dust box into the dust nozzle.

Empty the dust box at the earliest possible.

To empty the dust box, open the cover by pushing the button and throw away sawdust. Return the cover to the original position and it locks. Dust box can easily be removed by pulling out while turning it near the dust nozzle on the tool.

NOTE:

- If you connect a Makita vacuum cleaner to this tool, more efficient and cleaner operations can be performed.

CAUTION:

- Empty the dust box before collected sawdust level reaches the cylinder part.

Securing workpiece (Fig. 31)

WARNING:

- It is extremely important to always secure the workpiece properly and tightly with the vise. Failure to do so can cause the tool to be damaged and/or the workpiece to be destroyed. PERSONAL INJURY MAY ALSO RESULT. Also, after a cutting operation, DO NOT raise the blade until the blade has come to a complete stop.

CAUTION:

- When cutting long workpieces, use supports that are as high as the top surface level of the turn base. Do not rely solely on the vertical vise and/or horizontal vise to secure the workpiece. Thin material tends to sag. Support workpiece over its entire length to avoid blade pinch and possible KICK-BACK.

Vertical vise (Fig. 32)

The vertical vise can be installed in two positions on either the left or right side of the guide fence or the holder assembly (optional accessory). Insert the vise rod into the hole in the guide fence or the holder assembly and tighten the screw to secure the vise rod.

Position the vise arm according to the thickness and shape of the workpiece and secure the vise arm by tightening the screw. If the screw to secure the vise arm contacts the guide fence, install the screw on the opposite side of vise arm. Make sure that no part of the tool contacts the vise when lowering the handle fully and pulling or pushing the carriage all the way. If some part contacts the vise, re-position the vise.

Press the workpiece flat against the guide fence and the turn base. Position the workpiece at the desired cutting position and secure it firmly by tightening the vise knob.

CAUTION:

- The workpiece must be secured firmly against the turn base and guide fence with the vise during all operations.

Horizontal vise (optional accessory) (Fig. 33)

The horizontal vise can be installed on the left side of the base. By turning the vise knob counterclockwise, the screw is released and the vise shaft can be moved rapidly in and out. By turning the vise knob clockwise, the screw remains secured. To grip the workpiece, turn the vise knob gently clockwise until the projection reaches its topmost position, then fasten securely. If the vise knob is forced in or pulled out while being turned clockwise, the projection may stop at an angle. In this case, turn the vise knob back counterclockwise until the screw is released, before turning again gently clockwise.

The maximum width of the workpiece which can be secured by the horizontal vise is 120 mm.

CAUTION:

- Grip the workpiece only when the projection is at the topmost position. Failure to do so may result in insufficient securing of the workpiece. This could cause the workpiece to be thrown, cause damage to the blade or cause the loss of control, which can result in PERSONAL INJURY.

Holders and holder assembly (optional accessories) (Fig. 34 & 35)

The holders and the holder assembly can be installed on either side as a convenient means of supporting workpieces horizontally. Install them as shown in the figure. Then tighten the screws firmly to secure the holders and the holder assembly.

When cutting long workpieces, use the holder-rod assembly (optional accessory). It consists of two holder assemblies and two rods 12.

CAUTION:

- Always support long workpieces level with the top surface of the turn base for accurate cuts and to prevent dangerous loss of control of the tool.

OPERATION**CAUTION:**

- Before use, be sure to release the handle from the lowered position by pulling the stopper pin.
- Make sure the blade is not contacting the workpiece, etc. before the switch is turned on.
- Do not apply excessive pressure on the handle when cutting. Too much force may result in overload of the motor and/or decreased cutting efficiency. Push down handle with only as much force as is necessary for smooth cutting and without significant decrease in blade speed.
- Gently press down the handle to perform the cut. If the handle is pressed down with force or if lateral force is applied, the blade will vibrate and leave a mark (saw mark) in the workpiece and the precision of the cut will be impaired.
- During a slide cut, gently push the carriage toward the guide fence without stopping. If the carriage movement is stopped during the cut, a mark will be left in the workpiece and the precision of the cut will be impaired.

1. Press cutting (cutting small workpieces) (Fig. 36)

Workpieces up to 50 mm high and 97 mm wide can be cut in the following way.

Push the carriage toward the guide fence fully and tighten two clamp screws which secure the slide poles clockwise to secure the carriage. Secure the workpiece with the vise. Switch on the tool without the blade making any contact and wait until the blade attains full speed before lowering. Then gently lower the handle to the fully lowered position to cut the workpiece. When the cut is completed, switch off the tool and WAIT UNTIL THE BLADE HAS COME TO A COMPLETE STOP before returning the blade to its fully elevated position.

CAUTION:

- Firmly tighten two clamping screws which secure the slide poles clockwise so that the carriage will not move during operation. Insufficient tightening may cause unexpected kickback of the blade. Possible serious PERSONAL INJURY may result.

2. Slide (push) cutting (cutting wide workpieces) (Fig. 37)

Loosen two clamp screws which secure the slide poles counterclockwise so that the carriage can slide freely. Secure the workpiece with the vise. Pull the carriage toward you fully. Switch on the tool without the blade making any contact and wait until the blade attains full speed. Press down the handle and PUSH THE CARRIAGE TOWARD THE GUIDE FENCE AND THROUGH THE WORKPIECE. When the cut is completed, switch off the tool and WAIT UNTIL THE BLADE HAS COME TO A COMPLETE STOP before returning the blade to its fully elevated position.

CAUTION:

- Whenever performing the slide cut, FIRST PULL THE CARRIAGE TOWARD YOU FULLY and press down the handle to the fully lowered position, then PUSH THE CARRIAGE TOWARD THE GUIDE FENCE. NEVER START THE CUT WITH THE CARRIAGE NOT FULLY PULLED TOWARD YOU. If you perform the slide cut without pulling the carriage fully or if you perform the slide cut toward your direction, the blade may kickback unexpectedly with the potential to cause serious PERSONAL INJURY.
- Never perform the slide cut with the handle locked in the lowered position by pressing the stopper pin.
- Never loosen the clamp screw which secures the carriage while the blade is rotating. This may cause serious injury.

3. Miter cutting

Refer to the previously covered "Adjusting the miter angle".

4. Bevel cut (Fig. 38)

Loosen the lever and tilt the saw blade to set the bevel angle (Refer to the previously covered "Adjusting the bevel angle"). Be sure to retighten the lever firmly to secure the selected bevel angle safely. Secure the workpiece with a vise. Make sure the carriage is pulled all the way back toward the operator. Switch on the tool without the blade making any contact and wait until the blade attains full speed. Then gently lower the handle to the fully lowered position while applying pressure in parallel with the blade and PUSH THE CARRIAGE TOWARD THE GUIDE FENCE TO CUT THE WORKPIECE. When the cut is completed, switch off the tool and WAIT UNTIL THE BLADE HAS COME TO A COMPLETE STOP before returning the blade to its fully elevated position.

CAUTION:

- Always be sure that the blade will move down to bevel direction during a bevel cut. Keep hands out of path of saw blade.
- During a bevel cut, it may create a condition whereby the piece cut off will come to rest against the side of the blade. If the blade is raised while the blade is still rotating, this piece may be caught by the blade, causing fragments to be scattered which is dangerous. The blade should be raised ONLY after the blade has come to a complete stop.
- When pressing the handle down, apply pressure parallel to the blade. If the pressure is not parallel to the blade during a cut, the angle of the blade might be shifted and the precision of the cut will be impaired.

5. Compound cutting

Compound cutting is the process in which a bevel angle is made at the same time in which a miter angle is being cut on a workpiece. Compound cutting can be performed at angle shown in the table.

Miter angle	Bevel angle
Left and Right 45°	Left 0° – 45°
Right 50°	Left 0° – 40°
Right 55°	Left 0° – 30°
Right 57°	Left 0° – 25°

When performing compound cutting, refer to "Press cutting", "Slide cutting", "Miter cutting" and "Bevel cut" explanations.

6. Cutting aluminum extrusion (Fig. 39)

When securing aluminum extrusions, use spacer blocks or pieces of scrap as shown in the figure to prevent deformation of the aluminum. Use a cutting lubricant when cutting the aluminum extrusion to prevent build-up of the aluminum material on the blade.

CAUTION:

- Never attempt to cut thick or round aluminum extrusions. Thick aluminum extrusions may come loose during operation and round aluminum extrusions cannot be secured firmly with this tool.

7. Wood facing (Fig. 40)

Use of wood facing helps to assure splinter-free cuts in workpieces. Attach a wood facing to the guide fence using the holes in the guide fence.

See the figure concerning the dimensions for a suggested wood facing.

CAUTION:

- Use straight wood of even thickness as the wood facing.
- Use screws to attach the wood facing to the guide fence. The screws should be installed so that the screw heads are below the surface of the wood facing.
- When the wood facing is attached, do not turn the turn base with the handle lowered. The blade and/or the wood facing will be damaged.

8. Cutting repetitive lengths (Fig. 41)

When cutting several pieces of stock to the same length, ranging from 220 mm to 385 mm, use of the set plate (optional accessory) will facilitate more efficient operation. Install the set plate on the holder (optional accessory) as shown in the figure.

Align the cutting line on your workpiece with either the left or right side of the groove in the kerf board, and while holding the workpiece from moving, move the set plate flush against the end of the workpiece. Then secure the set plate with the screw. When the set plate is not used, loosen the screw and turn the set plate out of the way.

NOTE:

- Use of the holder-rod assembly (optional accessory) allows cutting repetitive lengths up to 2,200 mm approximately.

9. Groove cutting (Fig. 42)

A dado type cut can be made by proceeding as follows: Adjust the lower limit position of the blade using the adjusting screw and the stopper arm to limit the cutting depth of the blade. Refer to "Stopper arm" section described on previously.

After adjusting the lower limit position of the blade, cut parallel grooves across the width of the workpiece using a slide (push) cut as shown in the figure. Then remove the workpiece material between the grooves with a chisel. Do not attempt to perform this type of cut using wide (thick) blades or with a dado blade. Possible loss of control and injury may result.

CAUTION:

- Be sure to return the stopper arm to the original position when performing other than groove cutting.

Carrying tool (Fig. 43 & 44)

Make sure that the tool is unplugged. Secure the blade at 0° bevel angle and the turn base at right miter angle fully. Secure the slide poles after pulling the carriage toward the guide fence fully. Lower the handle fully and lock it in the lowered position by pushing in the stopper pin.

Carry the tool by holding both sides of the tool base as shown in the figure. If you remove the holders, dust bag, etc., you can carry the tool more easily.

CAUTION:

- Always secure all moving portions before carrying the tool.
- Stopper pin is for carrying and storage purposes only and not for any cutting operations.

MAINTENANCE

CAUTION:

- Always be sure that the tool is switched off and unplugged before attempting to perform inspection or maintenance.

WARNING:

- Always be sure that the blade is sharp and clean for the best and safest performance.

Adjusting the cutting angle

This tool is carefully adjusted and aligned at the factory, but rough handling may have affected the alignment. If your tool is not aligned properly, perform the following:

1. Miter angle

Push the carriage toward the guide fence and tighten two clamp screws to secure the carriage.

Loosen the grip which secures the turn base. Turn the turn base so that the pointer points to 0° on the miter scale. Then turn the turn base slightly clockwise and counterclockwise to seat the turn base in the 0° miter notch. (Leave as it is if the pointer does not point to 0°.) Loosen the hex bolts securing the guide fence using the socket wrench. (Fig. 45)

Lower the handle fully and lock it in the lowered position by pushing in the stopper pin. Square the side of the blade with the face of the guide fence using a triangular rule, try-square, etc. Then securely tighten the hex bolts on the guide fence in the order from the right side. (Fig. 46)

Make sure that the pointer points to 0° on the miter scale. If the pointer does not point to 0°, loosen the screw which secures the pointer and adjust the pointer so that it will point to 0°. (Fig. 47)

2. Bevel angle

1. 0° bevel angle

Push the carriage toward the guide fence and tighten two clamp screws to secure the carriage. Lower the handle fully and lock it in the lowered position by pushing in the stopper pin. Loosen the lever at the rear of the tool.

Turn the 0° bevel angle adjusting bolt (lower bolt) on the right side of the arm two or three revolutions counterclockwise to tilt the blade to the right. (Fig. 48)

Carefully square the side of the blade with the top surface of the turn base using the triangular rule, try-square, etc. by turning the 0° bevel angle adjusting bolt clockwise. Then tighten the lever securely. (Fig. 49)

Make sure that the pointer on the arm points to 0° on the bevel scale on the arm holder. If it does not point to 0°, loosen the screw which secures the pointer and adjust the pointer so that it will point to 0°. (Fig. 50)

2. 45° bevel angle

Adjust the 45° bevel angle only after performing 0° bevel angle adjustment. To adjust left 45° bevel angle, loosen the lever and tilt the blade to the left fully. Make sure that the pointer on the arm points to 45° on the bevel scale on the arm holder. If the pointer does not point to 45°, turn the 45° bevel angle adjusting bolt (upper bolt) on the right side of the arm until the pointer points to 45°. (Fig. 51)

Adjusting the position of laser line (Fig. 52 & 53)

For model LS0714FL, LS0714L

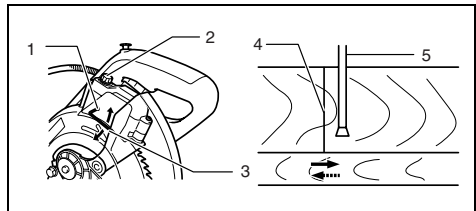
WARNING:

- As the tool is plugged when adjusting the position of laser line, take a full caution especially at switch action. Pulling the switch trigger accidentally cause an accidental start of the tool and personal injury.

CAUTION:

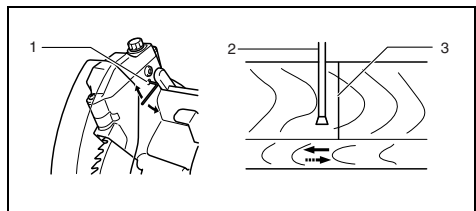
- Never look into the laser beam directly. Direct laser beam causes damage to your eyes.
- Never apply a blow or impact to the tool. A blow or impact causes the incorrect position of laser line, damage to the laser beam emitting part or a short life of the tool.
- Have the tool repaired by Makita authorized service center for any failure on the laser unit. No change with different type of laser is permitted.

When adjusting the laser line appears on the left side of the saw blade



- 1 Screw to change the movable range of the adjusting screw
- 2 Adjusting screw
- 3 Hex wrench
- 4 Laser line
- 5 Saw blade

When adjusting the laser line appears on the right side of the saw blade



- 1 Screw to change the movable range of the adjusting screw
- 2 Saw blade
- 3 Laser line

For both adjustments, do as follows.

1. Make sure that the tool is unplugged.
2. Draw the cutting line on the workpiece and place it on the turn table. At this time, do not secure the workpiece with a vise or similar securing device.
3. Lower the blade by lowering the handle and just check to see where the cutting line and the position of the saw blade is. (Decide which position to cut on the line of cut.)
4. After decision the position to be cut, return the handle to the original position. Secure the workpiece with the vertical vise without shifting the workpiece from the pre-checked position.
5. Plug the tool and turn on the laser switch.
6. Adjust the position of laser line as follows.

The position of laser line can be changed as the movable range of the adjusting screw for the laser is changed by turning two screws with a hex wrench. (The movable range of laser line is factory adjusted within 1 mm from the side surface of blade.)

To shift the laser line movable range further away from the side surface of blade, turn the two screws counter-clockwise after loosening the adjusting screw. Turn these two screws clockwise to shift it closer to the side surface of the blade after loosening the adjusting screw.

Refer to the section titled "Laser beam action" and adjust the adjusting screw so that the cutting line on your workpiece is aligned with the laser line.

NOTE:

- Check the position of laser line regularly for accuracy.
- Have the tool repaired by Makita authorized service center for any failure on the laser unit.

Replacing fluorescent tube (Fig. 54)

For model LS0714F, LS0714FL only

CAUTION:

- Always be sure that the tool is switched off and unplugged before replacing the fluorescent tube.
- Do not apply force, impact or scratch to a fluorescent tube, which can cause a glass of the fluorescent tube to be broken resulting in a injury to you or your bystanders.
- Leave the fluorescent tube for a while immediately after a use of it and then replace it. If not, you may burn yourself.

Remove screws, which secure Lamp Box for the light.

Pull out the Lamp Box keeping pushing lightly the upper position of it as shown in the figure.

Pull out the fluorescent tube and then replace it with Makita original new one.

Cleaning of the lens for the laser light (Fig. 55 & 56)

For model LS0714FL, LS0714L

If the lens for the laser light becomes dirty, or sawdust adheres to it in such a way that the laser line is no longer easily visible, unplug the saw and remove and clean the lens for the laser light carefully with a damp, soft cloth. Do not use solvents or any petroleum-based cleaners on the lens.

To remove the lens for the laser light, remove the saw blade before removing the lens according to the instructions in the section titled "Installing or removing saw blade".

Loosen but do not remove the screw which secures the lens using a screwdriver.

Pull out the lens as shown in the figure.

NOTE:

- If the lens does not come out, loosen the screw further and pull out the lens again without removing the screw.

Replacing carbon brushes (Fig. 57 & 58)

Remove and check the carbon brushes regularly. Replace when they wear down to the limit mark. Keep the carbon brushes clean and free to slip in the holders. Both carbon brushes should be replaced at the same time. Use only identical carbon brushes.

Use a screwdriver to remove the brush holder caps. Take out the worn carbon brushes, insert the new ones and secure the brush holder caps.

After use

- After use, wipe off chips and dust adhering to the tool with a cloth or the like. Keep the blade guard clean according to the directions in the previously covered section titled "Blade guard". Lubricate the sliding portions with tool oil to prevent rust.
- When storing the tool, pull the carriage toward you fully so that the slide pole is thoroughly inserted into the turn base.

To maintain product SAFETY and RELIABILITY, repairs, any other maintenance or adjustment should be performed by Makita Authorized Service Centers, always using Makita replacement parts.

ACCESSORIES

CAUTION:

- These accessories or attachments are recommended for use with your Makita tool specified in this manual. The use of any other accessories or attachments might present a risk of injury to persons. Only use accessory or attachment for its stated purpose.

If you need any assistance for more details regarding these accessories, ask your local Makita service center.

- Carbide-tipped saw blades
- Vise assembly (Horizontal vise)
- Vertical vise
- Socket wrench 10
- Holder set
- Holder assembly
- Holder rod assembly
- Set plate
- Dust bag
- Triangular rule
- Lock-off button (2 pcs.)
- Fluorescent tube
- Hex wrench

Descriptif

1 Broche d'arrêt	34 Capot central	65 Orifices
2 Boulon	35 Clé à douille	66 Plaque de fixation
3 Boulon de réglage	36 Boulon hexagonal	67 Couper des rainures avec la lame
4 Protecteur de lame A	37 Capot de sécurité	68 Règle triangulaire
5 Vis à oreilles	38 Blocage de l'arbre	69 Support du bras
6 Plateau de découpe	39 Flèche	70 Boulon de réglage d'angle de biseau de 0 degrés
7 Lame	40 Porte-lame	71 Boulon de réglage d'angle de biseau de 45 degrés sur la gauche
8 Dents de lame	41 Boulon hexagonal (filetage à gauche)	
9 Coupe en biseau sur la gauche	42 Flasque extérieur	
10 Coupe rectiligne	43 Flasque intérieur	
11 Socle rotatif	44 Axe	72 Pièce à travailler
12 Guide	45 Sac à poussière	73 Ligne de coupe
13 Face supérieure du plateau tournant	46 Raccord à poussières	74 Étau vertical
14 Périphérie de la lame	47 Agrafe	75 Tirer
15 Vis de réglage	48 Cale	76 Pousser
16 Bras de blocage	49 Bras de l'étau	77 Boîtier à lampe
17 Levier de verrouillage	50 Tige de l'étau	78 Vis
18 Secteur	51 Servante	79 Tube fluorescent
19 Index	52 Butée (accessoire en option)	80 Tournevis
20 Manche	53 Poignée de l'étau	81 Vis (une pièce seulement)
21 Levier	54 Ergot	82 Lentille du laser
22 Bouton de libération	55 Axe de l'étau	83 Repère d'usure
23 Échelle	56 Socle	84 Bouchon de porte-charbon
24 Bras	57 Tige 12	85 Protecteur de lame B (pour les pays d'Europe)
25 Vis	58 Les deux vis de serrage qui retiennent la tige de glissement	86 Boîte à poussières
26 Bouton de sécurité	59 Les deux vis de serrage qui retiennent la tige de glissement	87 Couvercle
27 Gâchette	60 Étau	88 Bouton
28 Poignée	61 Cale d'écartement	89 Pièce cylindrique
29 Lampe	62 Profilé d'aluminium	90 Scieur de bois
30 Interrupteur de la lampe	63 Plus de 15 mm	91 Protecteur de lame
31 Interrupteur du laser	64 Plus de 420 mm	
32 Support à clé		
33 Porte-tuyau		

SPÉCIFICATIONS

Modèle

LS0714/LS0714F/LS0714FL/LS0714L

Diamètre de la lame	190 mm
Diamètre de l'orifice (alésage)	20 mm
Angle d'onglet max	47° à gauche, 57° à droite
Angle de biseau max	45° à gauche, 5° à droite
Capacités de coupe maximales (Hauteur x Largeur) avec une lame à diamètre de 190 mm.	

Angle d'onglet	Angle de biseau		
	45° (gauche)	0°	5° (droite)
0°	*45 mm x 265 mm (Note 1)	*60 mm x 265 mm (Note 1)	—
	40 mm x 300 mm	52 mm x 300 mm	40 mm x 300 mm
45° (gauche et droite)	*45 mm x 185 mm (Note 2)	*60 mm x 185 mm (Note 2)	—
	40 mm x 212 mm	52 mm x 212 mm	—
57° (droite)	—	*60 mm x 145 mm (Note 3)	—
		52 mm x 163 mm	

(Note)

* indique l'utilisation d'un parement de bois de l'épaisseur suivante.

1 : Avec un parement de bois de 20 mm d'épaisseur.

2 : Avec un parement de bois de 15 mm d'épaisseur.

3 : Avec un parement de bois de 10 mm d'épaisseur.

Vitesse à vide (min ⁻¹).....	6 000
Type de laser (LS0714FL/L).....	Laser rouge 650 nm, <1mW (Laser de classe 2)
Dimensions (L x l x H)	670 mm x 430 mm x 458 mm
Poids net.....	LS0714 : 13,1 kg, LS0714F : 13,4 kg, LS0714FL : 13,7 kg, LS0714L : 13,5 kg

- Étant donné l'évolution constante de notre programme de recherche et de développement, les spécifications contenues dans ce manuel sont sujettes à modification sans préavis.
- Les spécifications peuvent varier suivant les pays.
- Poids selon la procédure EPTA 01/2003

Utilisations

L'outil est conçu pour effectuer des coupes de bois rectilignes et des coupes d'onglet, avec précision. Avec des lames appropriées, il permet également de couper l'aluminium.

Alimentation

L'outil ne devra être raccordé qu'à une alimentation de la même tension que celle qui figure sur la plaque signalétique, et il ne pourra fonctionner que sur un courant secteur monophasé. Réalisé avec une double isolation, il est conforme à la réglementation européenne et peut de ce fait être alimenté sans mise à la terre.

Consignes de sécurité

Pour votre propre sécurité, reportez-vous aux consignes de sécurité qui accompagnent l'outil.

PRECAUTIONS SUPPLEMENTAIRES POUR L'OUTIL

ENB034-3

- Portez une protection oculaire.**
- Gardez bien les mains à l'écart de la lame. Évitez tout contact avec une lame "en roue libre". Vous pourriez vous blesser gravement.**
- N'utilisez jamais la scie sans les protections en place.**
Vérifiez le bon fonctionnement du protecteur de lame avant chaque utilisation. N'utilisez pas la scie si le protecteur de lame ne se déplace pas librement et ne recouvre pas la lame instantanément. N'immobilisez jamais le protecteur de lame en position ouverte.
- Ne sciez jamais à la volée.** Le matériau doit être assuré fermement contre le plateau tournant et le guide au moyen de l'étau durant tous les types de sciage. Ne maintenez jamais la pièce avec la main.
- Gardez bien les mains à l'écart de la lame.**
- Coupez le contact et attendez l'arrêt de la lame avant de déplacer la pièce ou de modifier les réglages.**
- Débranchez l'outil avant de procéder à un changement de lame ou à une réparation.**
- Avant de transporter l'outil, immobilisez d'abord toutes ses pièces mobiles.**
- La broche d'arrêt qui verrouille en position basse la tête de fraisage sert à des fins de transport et de rangement uniquement et pas pour les opérations de coupe.**
- Ne vous servez pas de votre outil en présence de gaz ou de liquides inflammables.
- Avant de scier, vérifiez attentivement que la lame n'est ni endommagée, ni fendue.
Si tel est le cas, changez-la immédiatement.
- N'utilisez que les flasques spécifiés pour cet outil.
- Prenez garde d'endommager l'alésage, les flasques (tout particulièrement leur surface d'installation) ou le boulon. L'endommagement de ces pièces peut causer une cassure de la lame.
- Assurez-vous que le plateau tournant est bien immobilisé, afin qu'il ne risque pas de se déplacer pendant le sciage.
- Pour votre sécurité, retirez copeaux ou autres fragments de la surface du plateau avant la mise en route.
- Évitez les clous. Avant de travailler votre pièce, inspectez-la et retirez-en tous les clous.
- Assurez-vous que le blocage de l'arbre est relâché avant de mettre le contact.
- Assurez-vous que la lame ne touche pas le plateau tournant quand elle est abaissée au maximum.
- Tenez la poignée fermement. N'oubliez pas que la scie se déplace légèrement de haut en bas au démarrage et à l'arrêt.
- Assurez-vous que la lame ne touche pas la pièce à scier avant de mettre le contact.
- Avant de scier la pièce, faites tourner l'outil un instant à vide. Vérifiez que la lame ne présente ni balourd ni shimmy qui pourraient résulter d'un montage incorrect ou d'une usure irrégulière.
- Avant de scier, attendez que la lame ait atteint sa pleine vitesse.
- Arrêtez immédiatement le sciage si vous remarquez quoi que ce soit d'anormal.
- Ne tentez pas de maintenir la gâchette en position ON.
- Restez vigilant, surtout durant les sciages répétés et monotones. Ne vous laissez jamais prendre par un sentiment trompeur de sécurité. Les lames de scie ne pardonnent pas.
- N'utilisez que les accessoires recommandés dans ce manuel. L'utilisation d'accessoires différents, disques à tronçonner notamment, peut entraîner une blessure.
- N'utilisez pas la scie pour couper autre chose que de l'aluminium, du bois ou des matériaux similaires.**
- Raccordez les scies à coupe d'onglet à un dispositif de ramassage de la poussière quand vous effectuez un sciage.**
- Sélectionnez les lames en fonction du matériau à couper.**
- Faites attention lorsque vous taillez des encoches.**
- Remplacez le plateau de découpe quand il est usé.**
- Ne pas utiliser de lames fabriquées en acier à coupe rapide.**

33. Les poussières dégagées lors de l'utilisation de l'outil peuvent contenir certains produits chimiques reconnus comme pouvant causer le cancer, des anomalies congénitales ou autres problèmes de reproduction. Parmi ces produits chimiques figurent notamment :
- le plomb que contient les matériaux recouverts de peinture à base de plomb ;
 - l'arsenic et le chrome que contient le bois de construction traité chimiquement.
- Les risques encourus varient suivant la fréquence d'exposition qu'implique votre travail. Pour réduire votre degré d'exposition à ces produits chimiques : travaillez dans une aire de travail bien aérée et en utilisant des dispositifs de sécurité approuvés, tels que des masques à poussière spécialement conçus pour filtrer les particules microscopiques.
34. Pour réduire le bruit émis par la lame, assurez-vous toujours qu'elle est bien affûtée et propre.
35. L'utilisateur doit avoir reçu une formation adéquate concernant l'utilisation, le réglage et le fonctionnement de l'outil.
36. Utilisez des lames bien affûtées. Respectez la vitesse maximale indiquée sur la lame.
37. Évitez de retirer de la zone de coupe les copeurs et autres bouts détachés de la pièce à couper pendant que l'outil tourne encore et que la tête de la lame n'est pas en position de repos.

CONSERVEZ CES INSTRUCTIONS.

INSTALLATION

Montage du banc

À sa sortie d'usine, la poignée de cet outil est verrouillée en position abaissée au moyen de la broche d'arrêt. Pour dégager la broche d'arrêt, abaissez légèrement la poignée et tirez sur la broche. (Fig. 1)

Boulonnez l'outil à l'aide de deux boulons sur une surface stable et de niveau, en utilisant les orifices à boulon prévus sur le socle de l'outil. Ceci empêchera tout risque de renversement et de blessure. (Fig. 2)

Tournez le boulon de réglage vers la droite ou la gauche de sorte qu'il entre en contact avec la surface du plancher pour assurer la stabilité de l'outil. (Fig. 3)

DESCRIPTION DU FONCTIONNEMENT

ATTENTION :

- Assurez-vous toujours que l'outil est hors tension et débranché avant de l'ajuster ou de vérifier son fonctionnement.

Protecteur de lame (Fig. 4 et 5)

Pour tous les pays à l'exception de l'Europe

Le protecteur de lame s'élève automatiquement lorsque vous abaissez le bras. Le protecteur étant équipé d'un ressort de rappel, il revient à sa position d'origine une fois la coupe terminée et le bras relevé. NE JAMAIS MODIFIER OU RETIRER LE PROTECTEUR DE LAME OU SON RESSORT.

Pour votre propre sécurité, maintenez toujours le protecteur de lame en bonne condition. Tout fonctionnement irrégulier du protecteur de lame doit être corrigé immédiatement. Vérifiez que le mécanisme de rappel du protecteur fonctionne correctement. NE JAMAIS UTILISER L'OUTIL SI LE PROTECTEUR DE LAME OU LE RESSORT EST ENDOMMAGÉ, DÉFECTUEUX OU RETIRÉ. CELA EST EXTRÊMEMENT DANGEREUX ET PEUT CAUSER UNE GRAVE BLESSURE.

Pour l'Europe

Le protecteur de lame A s'élève automatiquement lorsque vous abaissez le bras. Le protecteur de lame B s'élève au contact de la pièce à travailler. Les protecteurs étant équipés d'un ressort de rappel, ils reviennent à leur position d'origine une fois la coupe terminée et le bras relevé. NE JAMAIS MODIFIER OU RETIRER LES PROTECTEURS DE LAME OU LEUR RESSORT.

Pour votre propre sécurité, maintenez toujours chaque protecteur de lame en bonne condition. Tout fonctionnement irrégulier des protecteurs de lame doit être corrigé immédiatement. Vérifiez que le mécanisme de rappel des protecteurs fonctionne correctement. NE JAMAIS UTILISER L'OUTIL SI LES PROTECTEURS DE LAME OU LE RESSORT SONT ENDOMMAGÉS, DÉFECTUEUX OU RETIRÉS. CELA EST EXTRÊMEMENT DANGEREUX ET PEUT CAUSER UNE GRAVE BLESSURE.

Si le protecteur de lame transparent devient sale ou si la sciure de bois y adhère au point que la lame ne soit plus bien visible, débranchez la scie et nettoyez soigneusement le protecteur avec un chiffon humide. N'utilisez pas de solvants ni de détergents à base d'essence pour nettoyer ce protecteur en plastique.

Lorsque le protecteur de lame est très sale et qu'il n'est plus possible de voir à travers, utilisez la clé à douille fournie pour desserrer le boulon hexagonal qui retient le capot central. Desserrez le boulon hexagonal en le faisant tourner vers la gauche, puis soulevez le protecteur de lame et le capot central. Le nettoyage du protecteur de lame peut être effectué de manière plus complète et efficace lorsqu'il se trouve dans cette position. Une fois le nettoyage terminé, effectuez la procédure ci-dessus en sens inverse et fixez le boulon. Ne retirez pas le ressort du protecteur de lame. Si le protecteur se décolore avec le temps ou sous l'effet des rayons ultraviolets, contactez un Centre d'Entretien Makita pour vous procurer un nouveau protecteur. NE PAS MODIFIER OU RETIRER LE PROTECTEUR.

Positionnement des plateaux de découpe (Fig. 6 et 7)

Le socle rotatif de cet outil est équipé de plateaux de découpe pour minimiser la déchirure du côté de sortie de la coupe. Les plateaux de découpe sont réglés en usine de sorte qu'ils n'entrent pas en contact avec la lame. Avant l'utilisation, ajustez les plateaux de découpe comme suit :

Débranchez d'abord l'outil. Desserrez toutes les vis qui retiennent les plateaux de découpe (2 à droite et 2 à gauche). Ne les resserrez que partiellement, de sorte qu'il soit facile de déplacer manuellement les plateaux de découpe. Abaissez complètement la poignée et enfoncez la broche d'arrêt pour verrouiller la poignée en position abaissée. Desserrez les deux vis de serrage qui retiennent les tiges de glissement. Tirez complètement le chariot vers vous. Ajustez les plateaux de découpe de sorte qu'ils touchent très légèrement les côtés des dents de la lame. Serrez légèrement les vis à l'avant. Poussez complètement le chariot vers le guide et ajustez les plateaux de découpe de sorte qu'ils touchent très légèrement les côtés des dents de la lame. Serrez légèrement les vis à l'arrière.

Après avoir ajusté les plateaux de découpe, dégagez la broche d'arrêt et levez la poignée. Serrez ensuite toutes les vis fermement.

ATTENTION :

- Avant et après la modification de l'angle de coupe en biseau, ajustez toujours les plateaux de découpe en procédant comme indiqué ci-dessus.

Maintien de la capacité de coupe maximale (Fig. 8 et 9)

Cet outil est réglé en usine pour offrir une capacité de coupe maximale avec une lame de 190 mm.

Lorsque vous installez une nouvelle lame, vérifiez toujours la position limite inférieure de la lame, et réglez-la comme suit si nécessaire :

Débranchez d'abord l'outil. Poussez le chariot à fond vers le guide et abaissez complètement la poignée. Utilisez la clé à douille pour tourner le boulon de réglage jusqu'à ce que la périphérie de la lame se trouve légèrement sous la face supérieure du socle rotatif, au point de rencontre entre la face avant du guide et la face supérieure du socle rotatif.

Débranchez l'outil et faites tourner la lame manuellement en maintenant la poignée en position complètement abaissée, afin d'être certain que la lame n'entre en contact avec aucune partie du plateau inférieur. Au besoin, effectuez un léger réajustement.

ATTENTION :

- Après avoir installé une nouvelle lame, assurez-vous toujours qu'elle n'entre en contact avec aucune partie du plateau inférieur lorsque la poignée est complètement abaissée. Débranchez toujours l'outil avant d'effectuer cette opération.

Bras de blocage (Fig. 10)

Le bras de blocage permet de régler facilement la position limite inférieure de la lame. Pour l'ajuster, déplacez le bras de blocage dans le sens de la flèche, tel qu'indiqué sur l'illustration. Ajustez la vis de réglage de sorte que la lame s'arrête à la position désirée lorsque la poignée est complètement abaissée.

Réglage de l'angle de coupe d'onglet (Fig. 11)

Desserrez le manche en le tournant vers la gauche. Faites tourner le socle rotatif tout en abaissant le levier de verrouillage. Lorsque le manche est arrivé au point où l'index indique la valeur angulaire désirée sur le secteur, serrez le manche à fond en le tournant vers la droite.

ATTENTION :

- Vous devez soulever complètement la poignée lorsque vous faites tourner le socle rotatif.
- Après avoir modifié l'angle de coupe d'onglet, fixez toujours le socle rotatif en serrant le manche à fond.

Réglage de l'angle de coupe en biseau (Fig. 12 et 13)

Pour ajuster l'angle de coupe en biseau, desserrez le levier à l'arrière de l'outil en le tournant vers la gauche. Poussez la poignée vers la gauche pour incliner la lame jusqu'à ce que l'index indique la valeur angulaire désirée sur l'échelle. Resserrez ensuite le levier à fond en le tournant vers la droite pour fixer le bras.

Pour incliner la lame vers la droite, appuyez sur le bouton de libération à l'arrière de l'outil tout en inclinant la lame légèrement vers la gauche après avoir desserré le levier. En maintenant le bouton de libération enfoncé, inclinez la lame vers la droite.

ATTENTION :

- Vous devez soulever complètement la poignée lorsque vous inclinez la lame.
- Après avoir modifié l'angle de coupe en biseau, fixez toujours le bras en serrant le levier vers la droite.
- Lorsque vous modifiez l'angle de coupe en biseau, vous devez placer les plateaux de découpe en position adéquate, tel que décrit dans la section "Positionnement des plateaux de découpe".

Réglage de la position du levier (Fig. 14)

Si le levier n'assure pas un serrage parfait, vous pouvez l'installer sur l'une ou l'autre des positions de serrage distantes de 30°.

Desserrez et retirez la vis qui retient le levier à l'arrière de l'outil. Retirez le levier et réinstallez-le de sorte qu'il soit légèrement au-dessus du niveau. Serrez le levier fermement avec la vis.

Interrupteur

ATTENTION :

- Avant de brancher l'outil, vérifiez toujours que la gâchette fonctionne bien et revient en position d'arrêt lorsque relâchée.
- Lorsque vous avez terminé d'utiliser l'outil, retirez le bouton de sécurité et rangez-le dans un endroit sûr. Cela évitera l'utilisation de l'outil sans autorisation.
- N'appuyez pas fortement sur la gâchette sans avoir d'abord enfoncé le bouton de sécurité. Vous risqueriez de briser la gâchette.

Pour l'Europe (Fig. 15)

Pour éviter tout déclenchement accidentel de la gâchette, l'outil est muni d'un bouton de sécurité. Pour faire démarrer l'outil, poussez le levier vers la gauche, enfoncez le bouton de sécurité puis appuyez sur la gâchette. Pour l'arrêter, relâchez la gâchette.

Pour tous les pays à l'exception de l'Europe (Fig. 16)

Pour éviter tout déclenchement accidentel de la gâchette, l'outil est muni d'un bouton de sécurité. Pour faire démarrer l'outil, enfoncez le bouton de sécurité puis appuyez sur la gâchette. Pour l'arrêter, relâchez la gâchette.

AVERTISSEMENT :

- NE JAMAIS utiliser un outil dont la gâchette ne fonctionne pas parfaitement. Tout outil dont la gâchette est défectueuse est **EXTRÊMEMENT DANGEREUX** et doit être réparé avant d'être à nouveau utilisé.
- Pour assurer votre sécurité, cet outil est équipé d'un bouton de sécurité qui prévient le démarrage accidentel de l'outil. NE JAMAIS utiliser l'outil s'il se met en marche lorsque vous appuyez simplement sur la gâchette sans avoir enfoncé le bouton de sécurité. Retournez alors l'outil à un centre de service après-vente Makita pour le faire réparer AVANT de poursuivre l'utilisation.
- Le bouton de sécurité ne doit JAMAIS être immobilisé avec du ruban adhésif, ni modifié.

Allumage des lampes (Fig. 17)

Pour les modèles LS0714F et LS0714FL

ATTENTION :

- Cette lampe n'est pas étanche à la pluie. Ne nettoyez pas la lampe avec de l'eau et évitez de l'utiliser sous la pluie ou dans un endroit humide. Cela risquerait de causer un choc électrique entraînant des émanations de fumée.
- Ne touchez pas la lentille de la lampe alors que cette dernière est allumée ou vient tout juste d'être éteinte et est encore très chaude. Il y a risque de brûlure.
- Évitez de faire subir tout choc à la lampe. Cela risquerait de l'endommager ou de réduire sa durée de service.
- Ne pointez pas le rayon lumineux de la lampe vers vos yeux. Il y a risque de blessure oculaire.
- Ne recouvrez pas la lampe de chiffons, de carton ou d'objets similaires alors qu'elle est allumée. Elle risquerait de prendre feu et de causer un incendie.

Appuyez sur la position supérieure de l'interrupteur pour allumer la lampe et sur la position inférieure pour l'éteindre.

Déplacez la lampe pour éclairer une autre zone.

NOTE :

- Utilisez un chiffon sec pour essuyer les saletés qui recouvrent la lentille de la lampe. Prenez garde de rayer la lentille de la lampe, sinon sa capacité d'éclairage sera affectée.

Utilisation du faisceau laser (Fig. 18 et 19)

Pour les modèles LS0714FL et LS0714L

ATTENTION :

- Ne jamais regarder directement la source du faisceau laser. L'exposition directe au faisceau laser comporte un risque de blessure aux yeux.
- **RAYONNEMENT LASER. NE PAS FIXER LE RAYON OU REGARDER DIRECTEMENT AVEC DES INSTRUMENTS OPTIQUES. PRODUIT LASER DE CATÉGORIE 2M.**

Pour allumer le faisceau laser, appuyez sur la position supérieure (I) de l'interrupteur. Appuyez sur sa position inférieure (O) pour éteindre.

En ajustant la vis de réglage comme suit, vous pouvez déplacer la ligne laser du côté gauche ou droite de la lame.

1. Desserrez la vis de réglage en la tournant vers la gauche.
2. Une fois la vis de réglage desserrée, glissez-la complètement vers la droite ou la gauche.
3. Serrez fermement la vis de réglage sur la position où elle cesse de glisser.

La ligne laser est ajustée en usine pour se trouver à moins de 1 mm de la surface latérale de la lame (position de coupe).

NOTE :

- Si la ligne de coupe est trop pâle et presque imperceptible parce que vous travaillez dans un endroit exposé directement aux rayons du soleil ou près d'une fenêtre intérieure ou extérieure, changez de zone de travail pour ne plus être exposé directement aux rayons du soleil.

Alignement de la ligne laser (Fig. 20)

Suivant le type de coupe à effectuer, vous pouvez déplacer la ligne laser d'un côté ou de l'autre de la lame. Reportez-vous à la section intitulée "Utilisation du faisceau laser" concernant la façon de le déplacer.

NOTE :

- Placez un parement de bois contre le guide lorsque vous alignez la ligne de coupe sur la ligne laser à côté du guide pour effectuer une coupe mixte (coupe en biseau de 45 degrés et coupe d'onglet de 45 degrés sur la droite).
- A) Pour obtenir la taille désirée du côté gauche de la pièce à travailler
 - Placez la ligne laser du côté gauche de la lame.
- B) Pour obtenir la taille désirée du côté droit de la pièce à travailler
 - Placez la ligne laser du côté droit de la lame.

Alignez votre ligne de coupe avec la ligne laser sur la pièce à travailler.

ASSEMBLAGE

ATTENTION :

- Avant d'effectuer toute intervention sur l'outil, assurez-vous toujours qu'il est hors tension et débranché.

Rangement de la clé à douille (Fig. 21)

Le rangement de la clé à douille s'effectue de la façon indiquée sur l'illustration. Pour utiliser la clé à douille, retirez-la du support à clé. Après avoir utilisé la clé à douille, remettez-la dans le support à clé.

Pose et dépose de la lame

ATTENTION :

- Assurez-vous toujours que l'outil est hors tension et débranché avant d'installer ou de retirer la lame.
- Utilisez exclusivement la clé à douille Makita fournie pour installer ou retirer la lame. Sinon, le boulon hexagonal risque d'être trop ou pas assez serré. Cela peut entraîner une blessure.

Verrouillez la poignée en position élevée en y poussant la broche d'arrêt. (Fig. 22)

Pour retirer la lame, desserrez le boulon hexagonal de fixation du capot central à l'aide de la clé hexagonale, en tournant vers la gauche. Soulevez le protecteur de lame et le capot central. (Fig. 23)

Appuyez sur le blocage de l'arbre pour verrouiller l'axe et desserrez le boulon hexagonal à l'aide de la clé à douille, en tournant vers la droite. Retirez ensuite le boulon hexagonal, le flasque extérieur et la lame. (Fig. 24)

Pour installer la lame, montez-la soigneusement sur l'axe en vous assurant que le sens indiqué par la flèche sur la surface de la lame correspond à celui de la flèche du porte-lame. Installez le flasque extérieur et le boulon hexagonal, puis, à l'aide de la clé à douille, serrez à fond le boulon hexagonal (filetage à gauche), en tournant vers la gauche, tout en appuyant sur le blocage de l'arbre.

Remettez le protecteur de lame et le capot central en position initiale. Vissez ensuite le boulon hexagonal en le tournant vers la droite pour fixer le capot central. Tirez sur la broche d'arrêt pour dégager la poignée de la position élevée. Abaissez la poignée pour vous assurer que le protecteur de lame se déplace adéquatement. Avant de passer à la coupe, vérifiez que le blocage de l'arbre n'est pas engagé sur l'axe. (Fig. 25 et 26)

Sac à poussière (accessoire) (Fig. 27)

L'utilisation du sac à poussière permet d'effectuer des coupes en toute propreté et facilite la collecte de la poussière. Pour fixer le sac à poussière, insérez-le dans le raccord à poussières.

Lorsque le sac à poussière est environ à moitié plein, retirez-le de l'outil et tirez la fermeture. Videz le sac à poussière en le tapant légèrement pour retirer les particules qui adhèrent à sa surface intérieure et risqueraient de faire obstacle à la collecte de la poussière par la suite.

NOTE :

Vous pouvez effectuer un travail plus efficace et plus propre en raccordant un aspirateur Makita à votre scie.

Boîte à poussières (accessoire) (Fig. 28, 29 et 30)

Insérez la boîte à poussières dans le raccord à poussières.

Videz la boîte à poussières sans tarder lorsqu'elle commence à être pleine.

Pour vider la boîte à poussières, ouvrez le couvercle en appuyant sur le bouton, puis jetez la sciure de bois. Remettez le couvercle en position initiale et verrouillez-le. Il est facile de retirer la boîte à poussières en tirant dessus tout en la tournant près du raccord à poussières de l'outil.

NOTE :

- Vous pourrez effectuer un travail plus efficace et plus propre si vous raccordez un aspirateur Makita à cet outil.

ATTENTION :

- Videz la boîte à poussières avant que le niveau de sciure de bois n'atteigne la pièce cylindrique.

Immobilisation de la pièce (Fig. 31)

AVERTISSEMENT :

- Il est très important de toujours immobiliser la pièce de manière adéquate et ferme avec l'étau. Faute de cette précaution, vous risquez d'endommager votre scie et/ou la pièce. VOUS RISQUEZ AUSSI DE VOUS BLESSEER. Après avoir terminé votre coupe, NE RELEVEZ PAS LA LAME tant qu'elle n'est pas arrivée à un arrêt complet.

ATTENTION :

- Lorsque vous coupez des pièces longues, utilisez des cales aussi hautes que le niveau de la surface supérieure du socle rotatif. Ne vous fiez pas uniquement à un étau vertical et/ou un étau horizontal pour immobiliser la pièce.

Les matériaux minces ont tendance à s'affaisser. Soustenez la pièce sur toute sa longueur, pour éviter que la lame ne se coince et provoque un éventuel CHOC EN RETOUR.

Étau vertical (Fig. 32)

Vous pouvez installer l'étau vertical sur l'une ou l'autre de deux positions, du côté gauche ou droit du guide ou de la butée (accessoire en option). Engagez la tige de l'étau dans l'orifice du guide ou de la butée, et serrez la vis pour fixer la tige de l'étau.

Placez le bras de l'étau en fonction de l'épaisseur et de la forme de la pièce à travailler, et fixez le bras de l'étau en serrant la vis. Si la vis de fixation du bras de l'étau entre en contact avec le guide, installez-la de l'autre côté du bras de l'étau. Assurez-vous qu'aucune partie de l'outil n'entre en contact avec l'étau lorsque vous abaissez complètement la poignée et tirez ou poussez le chariot jusqu'au bout. Si une quelconque partie de l'outil entre en contact avec l'étau, modifiez son emplacement. Appuyez la pièce à plat contre le guide et le socle rotatif. Placez la pièce sur la position de coupe désirée et serrez à fond la poignée de l'étau.

ATTENTION :

- Le matériau doit être fermement assuré contre le socle rotatif et le guide au moyen de l'étau pendant toutes les opérations de sciage.

Étau horizontal (accessoire en option) (Fig. 33)

L'étau horizontal peut être installé du côté gauche du socle. Quand vous tournez la poignée de l'étau vers la gauche, la vis se libère et la tige de l'étau peut être déplacée rapidement d'avant en arrière. La vis s'immobilise en tournant la poignée de l'étau vers la droite. Pour serrer la pièce, tournez doucement la poignée de l'étau vers la droite jusqu'à ce que l'ergot atteigne sa position supérieure, puis serrez à fond. Si vous tournez la poignée de l'étau en force ou tirez dessus pendant que vous la tournez vers la droite, vous risquez que l'ergot s'arrête à mi-course. Dans ce cas, ramenez la poignée de l'étau vers la gauche jusqu'à ce que la vis soit libérée, et recommencez en tournant doucement la poignée vers la droite.

L'épaisseur maximale des pièces que permet d'assurer l'étau horizontal est de 120 mm.

ATTENTION :

- Pour bien serrer la pièce il faut que l'ergot se trouve sur sa position la plus élevée. Faute de cette précaution, la pièce risque de ne pas être suffisamment serrée. Il peut en résulter la projection de la pièce, des dommages à la lame ou une perte de contrôle causant une GRAVE BLESSURE.

Servantes et butée (accessoires en option) (Fig. 34 et 35)

Les servantes et la butée s'installent soit à gauche soit à droite, comme moyen pratique de soutenir les pièces horizontalement. Installez-les de la façon indiquée sur l'illustration. Serrez ensuite les vis fermement pour immobiliser les servantes et la butée.

Pour couper des pièces de grande longueur, utilisez l'ensemble de butées (accessoire en option). Il se compose de deux butées et de deux tiges numéro 12.

ATTENTION :

- Maintenez toujours les pièces de grande longueur parallèles à la surface supérieure du socle rotatif pour pouvoir effectuer des coupes précises et éviter toute perte de contrôle dangereuse de l'outil.

UTILISATION

ATTENTION :

- Avant l'utilisation, assurez-vous d'avoir dégagé la poignée de la position abaissée en tirant sur la broche d'arrêt.
- Assurez-vous que la lame n'entre pas en contact avec la pièce ou tout autre objet avant de mettre le contact.
- Pendant la coupe, n'appliquez pas une pression excessive sur la poignée. Vous risqueriez de provoquer une surcharge du moteur et/ou une diminution de la capacité de coupe. Abaissez la poignée en appliquant uniquement la force nécessaire pour obtenir une coupe en douceur sans diminuer de façon significative la vitesse de la lame.
- Abaissez doucement la poignée pour effectuer la coupe. Si vous appuyez trop fort sur la poignée ou appuyez latéralement, la lame vibrera et elle laissera une marque (marque de sciage) sur la pièce ; la précision de coupe sera également affectée.
- Lors d'une coupe en glissière, poussez doucement le chariot vers le guide, sans arrêter. Si le mouvement du chariot est interrompu pendant la coupe, cela laissera une marque sur la pièce et la précision de la coupe sera affectée.

1. Coupe sous presse (coupe de petites pièces) (Fig. 36)

Vous pouvez couper des pièces pouvant atteindre 50 mm de haut et 97 mm de large, en procédant comme suit.

Poussez le chariot complètement vers le guide, puis serrez vers la droite les deux vis de serrage qui retiennent les tiges de glissement pour fixer le chariot. Assurez la pièce avec l'étau. Mettez l'outil en marche alors que la lame ne touche à rien et attendez qu'elle ait atteint sa pleine vitesse avant de l'abaisser. Abaissez ensuite doucement la poignée au maximum pour couper la pièce. Lorsque la coupe est terminée, coupez le contact de l'outil et ATTENDEZ QUE LA LAME SE SOIT COMPLÈTEMENT ARRÊTÉE avant de ramener la lame en position complètement relevée.

ATTENTION :

- Serrez fermement vers la droite les deux vis de serrage qui retiennent les tiges de glissement pour que le chariot ne bouge pas pendant l'opération. Si vous ne serrez pas assez, il y a risque de choc en retour soudain. Il peut en résulter une grave BLESSURE.

2. Coupe en glissière (poussée) (coupe de grandes pièces) (Fig. 37)

Desserrez, en tournant vers la gauche, les deux vis de serrage qui retiennent les tiges de glissement, de sorte que le chariot puisse glisser librement. Assurez la pièce avec l'étau. Tirez complètement le chariot vers vous. Mettez l'outil en marche alors que la lame ne touche à rien et attendez qu'elle ait atteint sa pleine vitesse. Abaissez la poignée et PUSSEZ LE CHARIOT VERS LE GUIDE ET TOUT AU LONG DE LA PIÈCE. Lorsque la coupe est terminée, coupez le contact de l'outil et ATTENDEZ QUE LA LAME SE SOIT COMPLÈTEMENT ARRÊTÉE avant de ramener la lame en position complètement relevée.

ATTENTION :

- Chaque fois que vous effectuez une coupe en glissière, TIREZ D'ABORD LE CHARIOT COMPLÈTEMENT VERS VOUS et abaissez la poignée sur sa position la plus basse, puis PUSSEZ LE CHARIOT VERS LE GUIDE. NE COMMENCEZ JAMAIS LA COUPE ALORS QUE LE CHARIOT N'EST PAS COMPLÈTEMENT TIRÉ VERS VOUS. Si vous effectuez une coupe en glissière sans avoir tiré complètement le chariot ou si vous effectuez la coupe dans votre propre direction, il se peut que la lame effectue un soudain choc en retour, risquant ainsi de causer une grave BLESSURE.
- N'effectuez jamais une coupe en glissière alors que la poignée a été verrouillée en position abaissée en appuyant sur la broche d'arrêt.
- Ne desserrez jamais la vis de serrage qui retient le chariot pendant que la lame tourne. Cela peut entraîner une grave blessure.

3. Coupe d'onglet

Voyez la section précédente "Réglage de l'angle de coupe d'onglet".

4. Coupe en biseau (Fig. 38)

Desserrez le levier et inclinez la lame pour régler l'angle de coupe en biseau (voir la section précédente "Réglage de l'angle de coupe en biseau"). N'oubliez pas de resserrer le levier fermement de façon à bien assurer l'angle de biseau sélectionné. Assurez la pièce avec un étai. Assurez-vous que le chariot est complètement ramené vers vous. Mettez l'outil en marche alors que la lame ne touche à rien et attendez qu'elle ait atteint sa pleine vitesse. Abaissez ensuite doucement la poignée sur la position la plus basse tout en appliquant une pression parallèle à la lame et **POUSSEZ LE CHARIOT VERS LE GUIDE POUR COUPER LA PIÈCE**. Lorsque la coupe est terminée, coupez le contact de l'outil et **ATTENDEZ QUE LA LAME SE SOIT COMPLÈTEMENT ARRÊTÉE** avant de ramener la lame en position complètement relevée.

ATTENTION :

- Assurez-vous toujours que la lame s'abaisse dans le sens du biseau lors d'une coupe en biseau. Gardez bien les mains à l'écart de la lame.
- Lors d'une coupe en biseau, il peut arriver que la pièce coupée vienne s'appuyer contre le côté de la lame. Si vous soulevez la lame alors qu'elle tourne encore, ce morceau risque d'être happé par la lame et ses fragments s'éparpilleront, ce qui est dangereux. La lame doit être relevée **UNIQUEMENT** après être arrivée à un arrêt complet.
- Lorsque vous abaissez la poignée, appliquez une pression parallèle à la lame. Si la pression n'est pas parallèle à la lame pendant la coupe, cela risque de modifier l'angle de la lame et d'affecter la précision de la coupe.

5. Coupe mixte

La coupe mixte consiste à appliquer un angle de biseau tout en effectuant une coupe d'onglet sur une pièce. La coupe mixte est possible à l'angle indiqué dans le tableau.

Angle d'onglet	Angle de biseau
Gauche et Droite 45°	Gauche 0° – 45°
Droite 50°	Gauche 0° – 40°
Droite 55°	Gauche 0° – 30°
Droite 57°	Gauche 0° – 25°

Pour effectuer une coupe mixte, référez-vous aux explications des sections "Coupe sous presse", "Coupe en glissière", "Coupe d'onglet" et "Coupe en biseau".

6. Coupe de profilés d'aluminium (Fig. 39)

Lorsque vous immobilisez des profilés d'aluminium, utilisez des cales d'espacement ou des bouts de ferraille, tel qu'indiqué sur l'illustration, pour prévenir la déformation de l'aluminium. Utilisez aussi un lubrifiant de coupe lorsque vous sciez des profilés d'aluminium afin d'empêcher l'accumulation de particules d'aluminium sur la lame.

ATTENTION :

- N'essayez jamais de couper des profilés d'aluminium épais ou ronds. Les profilés d'aluminium épais risquent de se décaler durant l'opération, et les profilés d'aluminium ronds ne pourront pas être immobilisés de façon satisfaisante avec ce type d'étai.

7. Parement de bois (Fig. 40)

L'utilisation de parements de bois permet d'effectuer des coupes sans éclats. Fixez un parement de bois sur le guide en utilisant les orifices du guide. Pour les dimensions recommandées du parement de bois, voir l'illustration.

ATTENTION :

- Comme parement de bois, utilisez un morceau de bois droit d'épaisseur régulière.
- Utilisez des vis pour fixer le parement de bois au guide. Vous devez placer les vis de telle sorte que leurs têtes ne dépassent pas à la surface du parement de bois.
- Une fois le parement de bois fixé, ne tournez pas le socle rotatif avec le bras abaissé. Vous risqueriez d'endommager la lame et/ou le parement de bois.

8. Coupes répétées de longueur identique (Fig. 41)

Pour couper plusieurs morceaux de matériau à la même longueur, qui peut être comprise entre 220 mm et 385 mm, utilisez la plaque de fixation (accessoire en option) pour faciliter et rationaliser le travail. Installez la plaque de fixation sur son support (accessoire en option), de la façon indiquée sur l'illustration.

Alignez la ligne de coupe de la pièce sur le côté gauche ou droit de la rainure du plateau de découpe tout en tenant immobilisant fermement la pièce, et placez la plaque de fixation contre l'extrémité de la pièce. Fixez ensuite la plaque de fixation avec la vis. Quand vous ne vous servez pas de la plaque de fixation, desserrez la vis et tournez la plaque de fixation pour la dégager.

NOTE :

- L'utilisation de l'ensemble de butées et tiges (accessoire en option) permet des coupes répétées d'une longueur identique pouvant aller jusqu'à environ 2 200 mm.

9. Rainurage (Fig. 42)

Des rainures peuvent être effectuées en procédant comme suit :

Ajustez la position limite inférieure de la lame au moyen de la vis de réglage et du bras de blocage pour limiter la profondeur de coupe de la lame. Référez-vous à la section "Bras de blocage" ci-dessus.

Après avoir ajusté la position limite inférieure de la lame, coupez des rainures parallèles sur la largeur de la pièce, en procédant par coupe en glissière (poussée), tel qu'indiqué sur l'illustration. Retirez ensuite le matériau de la pièce entre les rainures, au moyen d'un ciseau. Ne tentez pas d'effectuer ce type de coupe au moyen d'une lame large (épaisse) ou d'une lame à rainer. Cela comporte un risque de perte de contrôle de l'outil et de blessure.

ATTENTION :

- Assurez-vous d'avoir remis le bras de blocage en position initiale avant d'effectuer un autre type de coupe que le rainurage.

Transport de l'outil (Fig. 43 et 44)

Vérifiez que l'outil est débranché. Fixez la lame sur un angle de coupe en biseau de 0° et le socle rotatif sur l'angle de coupe d'onglet maximal vers la droite. Fixez les tiges de glissement après avoir tiré complètement le chariot vers le guide. Abaissez complètement la poignée et verrouillez-la en position inférieure en enfonçant la broche d'arrêt.

Saisissez l'outil par les deux côtés du socle pour le transporter, tel qu'indiqué sur l'illustration. L'outil sera plus facile à transporter si vous retirez les servantes, le sac à poussière, etc.

ATTENTION :

- Avant de transporter l'outil, immobilisez d'abord toutes ses pièces mobiles.
- La broche d'arrêt est conçue exclusivement pour le transport et le rangement de l'outil, et ne doit être utilisée pour aucun travail de coupe.

ENTRETIEN

ATTENTION :

- Assurez-vous toujours que l'outil est hors tension et débranché avant d'y effectuer tout travail d'inspection ou d'entretien.

AVERTISSEMENT :

- Assurez-vous toujours que la lame est bien affûtée et propre pour assurer un rendement optimal et une sécurité maximale.

Réglage de l'angle de coupe

L'outil a été soigneusement réglé et aligné en usine, mais une manipulation maladroite a pu dérégler l'alignement. Si l'outil n'est pas aligné correctement, effectuez les opérations suivantes:

1. Angle de coupe d'onglet

Poussez le chariot vers le guide, puis serrez les deux vis de serrage pour fixer le chariot.

Desserrez le manche qui retient le socle rotatif. Faites pivoter le socle rotatif de sorte que l'index pointe vers 0° sur le secteur. Tournez ensuite le socle rotatif légèrement vers la droite et la gauche pour le caler dans l'entaille d'onglet de 0°. (Laissez-le tel quel si l'index n'indique pas 0°.) Avec la clé à douille, desserrez les boulons hexagonaux qui retiennent le guide. (Fig. 45)

Abaissez complètement la poignée et verrouillez-la en position inférieure en enfonçant la broche d'arrêt. Placez le côté de la lame à angle droit par rapport à la surface du guide à l'aide d'une règle triangulaire, d'une équerre de menuisier, etc. Vissez ensuite les boulons hexagonaux du guide à fond, dans l'ordre, en commençant du côté droit. (Fig. 46)

Assurez-vous que l'index indique 0° sur l'échelle de coupe d'onglet. Si l'index n'indique pas 0°, desserrez la vis qui retient l'index et réglez ce dernier de sorte qu'il indique 0°. (Fig. 47)

2. Angle de biseau

1. Angle de coupe en biseau 0°

Poussez le chariot vers le guide, puis serrez les deux vis de serrage pour fixer le chariot. Abaissez complètement la poignée et verrouillez-la en position inférieure en enfonçant la broche d'arrêt. Desserrez le levier à l'arrière de l'outil.

Pour incliner la lame vers la droite, tournez de deux ou trois tours vers la gauche le boulon de réglage de l'angle de coupe en biseau 0° (boulon inférieur) du côté droit du bras. (Fig. 48)

Placez soigneusement le côté de la lame à angle droit par rapport à la surface supérieure du socle rotatif au moyen d'une règle triangulaire, d'une équerre de menuisier, etc., en tournant vers la droite le boulon de réglage de l'angle de coupe en biseau 0°. Serrez ensuite le levier fermement. (Fig. 49)

Assurez-vous que l'index du bras indique 0° sur l'échelle de coupe en biseau du support du bras. S'il n'indique pas 0°, desserrez la vis qui retient l'index et ajustez ce dernier de telle sorte qu'il indique 0°. (Fig. 50)

2. Angle de coupe en biseau 45°

Réglez l'angle de biseau de 45° uniquement après avoir réglé l'angle de biseau de 0°. Pour régler l'angle de biseau de 45°, desserrez le levier et inclinez complètement la lame sur la gauche. Vérifiez que l'index du bras indique 45° sur l'échelle du support du bras. Si le pointeur n'indique pas 45°, tournez le boulon de réglage de l'angle de coupe en biseau 45° (boulon supérieur) du côté droit du bras jusqu'à ce que le pointeur indique 45°. (Fig. 51)

Réglage de la position de la ligne laser

(Fig. 52 et 53)

Pour les modèles LS0714FL et LS0714L

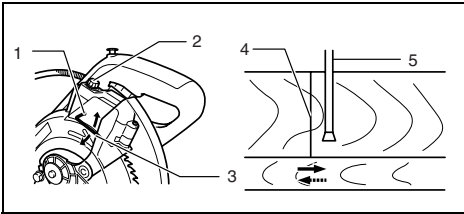
AVERTISSEMENT :

- L'outil étant branché au moment du réglage de la position de la ligne laser, veuillez prendre tout particulièrement garde à la gâchette. L'outil risque de démarrer et de vous blesser si vous appuyez accidentellement sur la gâchette.

ATTENTION :

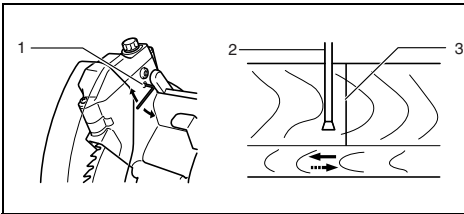
- Ne jamais regarder directement le faisceau laser. L'exposition directe au faisceau laser entraînerait des blessures aux yeux.
- Ne faites subir aucun choc ou impact à l'outil. Un choc ou impact peut fausser la ligne laser, endommager l'émetteur de faisceau laser ou réduire la durée de service de l'outil.
- En cas de panne du laser, faites réparer l'outil dans un centre de service après-vente agréé Makita. Le remplacement par un laser de type différent est interdit.

Pour ajuster la ligne laser du côté gauche de la lame



- 1 Vis de modification de la plage de déplacement de la vis de réglage
- 2 Vis de réglage
- 3 Clé hexagonale
- 4 Ligne laser
- 5 Lame

Pour ajuster la ligne laser du côté droit de la lame



- 1 Vis de modification de la plage de déplacement de la vis de réglage
- 2 Lame
- 3 Ligne laser

Dans un cas comme dans l'autre, procédez comme suit.

1. Vérifiez que l'outil est débranché.
2. Tracez votre ligne de coupe sur la pièce à travailler et placez cette dernière sur le socle rotatif. Ne fixez pas immédiatement la pièce à travailler avec un étau ou un dispositif de sécurité similaire.
3. Abaissez la lame en baissant la poignée, et vérifiez simplement la position respective de la ligne de coupe et de la lame. (Choisissez la position à couper sur la ligne de coupe.)
4. Après avoir choisi la position à couper, remettez la poignée sur sa position initiale. Fixez la pièce à travailler avec l'étau vertical, en prenant soin qu'elle reste dans la position où elle se trouvait avant la vérification.
5. Branchez l'outil et mettez l'interrupteur du laser en position de marche.
6. Procédez comme suit pour ajuster la position de la ligne laser.

La position de la ligne laser peut être modifiée sur la plage permise par la vis de réglage, en tournant deux vis avec une clé hexagonale. (En usine la plage de déplacement de la ligne laser est réglée à moins de 1 mm de la surface latérale de la lame.)

Pour que la plage de déplacement de la ligne laser se trouve à une plus grande distance de la surface latérale de la lame, tournez les deux vis vers la gauche après avoir desserré la vis de réglage. Pour la rapprocher de la surface latérale de la lame, tournez ces deux vis vers la droite après avoir desserré la vis de réglage.

Reportez-vous à la section intitulée "Utilisation du faisceau laser" et ajustez la vis de réglage de sorte que la ligne de coupe tracée sur la pièce à travailler soit alignée sur la ligne laser.

NOTE :

- Pour assurer la précision du travail de coupe, vérifiez régulièrement la position de la ligne laser.
- En cas de défaillance du dispositif laser, faites réparer l'outil par un centre de service après-vente agréé Makita.

Remplacement du tube fluorescent (Fig. 54)

Pour les modèles LS0714F et LS0714FL uniquement

ATTENTION :

- Assurez-vous toujours que l'outil est hors tension et débranché avant de remplacer le tube fluorescent.
- Évitez d'appliquer une force sur le tube fluorescent, de le heurter ou de l'érafler, car ce dernier risque de se casser et de causer des blessures aux personnes présentes.
- Avant de remplacer un tube fluorescent qui vient tout juste d'être utilisé, laissez-le refroidir un instant. Autrement, vous risquez de vous brûler.

Retirez les vis qui retiennent le boîtier à lampe.

Tirez sur le boîtier à lampe tout en maintenant une légère pression sur sa position supérieure, tel qu'indiqué sur l'illustration.

Retirez le tube fluorescent et remplacez-le par un tube neuf Makita.

Nettoyage de la lentille de lumière laser (Fig. 55 et 56)

Pour les modèles LS0714FL et LS0714L

Lorsque la lentille de lumière laser est sale ou que la poussière rend la ligne laser peu visible, débranchez la scie puis retirez et nettoyez doucement la lentille du laser avec un linge doux et humide. N'utilisez pas de solvants ni de détergents à base d'essence pour nettoyer la lentille.

Avant de retirer la lentille de lumière laser, retirez d'abord la lame en suivant les instructions de la section "Pose et dépose de la lame".

Avec un tournevis, desserrez, sans la retirer, la vis qui retient la lentille.

Tirez sur la lentille pour la retirer, tel qu'indiqué sur l'illustration.

NOTE :

- Si la lentille ne sort pas, desserrez davantage la vis et tirez à nouveau sur la lentille, sans toutefois retirer la vis.

Remplacement des charbons (Fig. 57 et 58)

Retirez et vérifiez les charbons régulièrement. Remplacez-les lorsqu'ils atteignent le repère d'usure. Gardez les charbons propres et libres de glisser dans les porte-charbons. Les deux charbons doivent être remplacés simultanément. Utilisez uniquement des charbons identiques.

Retirez les bouchons de porte-charbon à l'aide d'un tournevis. Enlevez les charbons usés, insérez les neufs et remettez en place les bouchons.

Après l'utilisation

- Après l'utilisation essuyez les copeaux et poussières qui adhèrent à l'outil à l'aide d'un chiffon ou d'un objet similaire. Gardez le protecteur de lame propre, conformément aux instructions fournies dans la section précédente intitulée "Protecteur de lame". Lubrifiez les parties coulissantes avec de l'huile à machine pour prévenir la formation de rouille.
- Pour ranger l'outil, tirez le chariot complètement vers vous de façon que les coulisses disparaissent complètement dans le socle rotatif.

Pour assurer la SECURITE et la FIABILITE du produit, toute réparation et tout travail d'entretien ou de réglage doivent être effectués par un Centre d'Entretien autorisé Makita, avec des pièces de rechange Makita.

ACCESSOIRES

ATTENTION :

- Les accessoires ou pièces supplémentaires qui suivent sont recommandés pour l'utilisation avec l'outil Makita spécifié dans ce manuel. L'utilisation de tout autre accessoire ou pièce supplémentaire peut comporter un risque de blessure. Utilisez uniquement l'accessoire ou la pièce supplémentaire dans le but spécifié.

Pour obtenir plus de détails sur ces accessoires, contactez votre Centre d'Entretien local Makita.

- Lames à dents de carbure de tungstène
- Ensemble d'étau (étau horizontal)
- Étau vertical
- Clé à douille 10
- Jeu de servantes
- Butée
- Ensemble de butées et tiges
- Plaque de fixation
- Sac à poussière
- Règle triangulaire
- Bouton de sécurité (2 pièces)
- Tube fluorescent
- Clé hexagonale

Übersicht

1	Anschlagstift	34	Mittenabdeckung	64	Über 420 mm
2	Schraube	35	Steckschlüssel	65	Löcher
3	Einstellschraube	36	Sechskantschraube	66	Halteplatte
4	Schutzhaube A	37	Sicherheitsabdeckung	67	Nuten mit dem Sägeblatt schneiden
5	Rändelschraube	38	Spindelarretierung	68	Einstelldreieck
6	Schlitzplatte	39	Pfeil	69	Armhalter
7	Sägeblatt	40	Schutzhaube	70	0-Grad-Neigungswinkel-Einstellschraube
8	Sägeblattzähne	41	Sechskantschraube (Linksgevinde)	71	Einstellschraube für linksseitigen 45-Grad-Neigungswinkel
9	Linksseitiger Neigungsschnitt	42	Außenflansch	72	Werkstück
10	Geradschnitt	43	Innenflansch	73	Schnittlinie
11	Drehteller	44	Spindel	74	Vertikal-Schraubstock
12	Gehrungsanschlag	45	Staubstuck	75	Herausziehen
13	Drehteller-Oberfläche	46	Absaugstutzen	76	Drücken
14	Sägeblattumfang	47	Verschluss	77	Lampengehäuse
15	Einstellschraube	48	Stütze	78	Schrauben
16	Anschlagarm	49	Schraubstockarm	79	Leuchtstoffröhre
17	Verriegelungshebel	50	Schraubstockstange	80	Schraubendreher
18	Gehrungswinkelskala	51	Auflagebügel	81	Schraube (nur ein Teil)
19	Zeiger	52	Auflageplatte (Sonderzubehör)	82	Linse für Laserlicht
20	Griff	53	Schraubstockknopf	83	Verschleißgrenze
21	Hebel	54	Vorsprung	84	Bürstenhalterkappe
22	Entriegelungsknopf	55	Schraubstockspindel	85	Schutzhaube B (für europäische Länder)
23	Neigungswinkelskala	56	Grundplatte	86	Staubsammelbehälter
24	Arm	57	Stange 12	87	Abdeckung
25	Schraube	58	Zwei Klemmschrauben zur Sicherung der Gleitstange	88	Knopf
26	Einschaltsperrknopf	59	Zwei Klemmschrauben zur Sicherung der Gleitstange	89	Zylinderteil
27	Ein-Aus-Schalter	60	Schraubstock	90	Sägemehl
28	Handgriff	61	Distanzblock	91	Schutzhaube
29	Leuchte	62	Aluminium-Werkstoff		
30	Lichtschalter	63	Über 15 mm		
31	Laserschalter				
32	Steckschlüsselhalter				
33	Rohrhalter				

TECHNISCHE DATEN

Modell	LS0714/LS0714F/LS0714FL/LS0714L
Sägeblattdurchmesser	190 mm
Bohrungs-(Spindel)-durchmesser	20 mm
Max. Gehrungswinkel	Links 47°, Rechts 57°
Max. Neigungswinkel	Links 45°, Rechts 5°
Max. Schnitttiefen (H x B) mit Sägeblatt von 190 mm Durchmesser.	

Gehrungswinkel	Neigungswinkel		
	45° (links)	0°	5° (rechts)
0°	*45 mm x 265 mm (Hinweis 1)	*60 mm x 265 mm (Hinweis 1)	—
	40 mm x 300 mm	52 mm x 300 mm	40 mm x 300 mm
45° (links und rechts)	*45 mm x 185 mm (Hinweis 2)	*60 mm x 185 mm (Hinweis 2)	—
	40 mm x 212 mm	52 mm x 212 mm	—
57° (rechts)	—	*60 mm x 145 mm (Hinweis 3)	—
		52 mm x 163 mm	

(Hinweis)

Das Zeichen * gibt an, dass ein Zwischenbrett der folgenden Dicke verwendet wird.

- 1: Bei Verwendung eines Zwischenbretts von 20 mm Dicke.
- 2: Bei Verwendung eines Zwischenbretts von 15 mm Dicke.
- 3: Bei Verwendung eines Zwischenbretts von 10 mm Dicke.

Leerlaufdrehzahl (min ⁻¹)	6 000
Lasertyp (LS0714FL/L)	Roter Laser 650 nm, <1 mW (Laserklasse 2)
Abmessungen (L × B × H)	670 mm × 430 mm × 458 mm
Nettogewicht	LS0714: 13,1 kg, LS0714F: 13,4 kg, LS0714FL: 13,7 kg, LS0714L: 13,5 kg

- Wir behalten uns vor, Änderungen im Zuge der Entwicklung und des technischen Fortschritts ohne vorherige Ankündigung vorzunehmen.
- Die technischen Daten können von Land zu Land abweichen.
- Gewicht nach EPTA-Verfahren 01/2003

Vorgesehene Verwendung

Die Maschine ist für genaue Gerad- und Gehrungsschnitte in Holz vorgesehen. Mit entsprechenden Sägeblättern kann auch Aluminium gesägt werden.

Stromversorgung

Die Maschine darf nur an die auf dem Typenschild angegebene Spannung angeschlossen werden und arbeitet nur mit Einphasen-Wechselspannung. Sie ist entsprechend den Europäischen Richtlinien doppelt schutzisoliert und kann daher auch an Steckdosen ohne Erdungskabel angeschlossen werden.

Sicherheitshinweise

Lesen und beachten Sie diese Hinweise, bevor Sie das Gerät benutzen.

ZUSÄTZLICHE SICHERHEITSREGELN FÜR DIE MASCHINE

ENB034-3

1. **Tragen Sie stets eine Schutzbrille.**
 2. **Halten Sie Ihre Hände von der Schnittlinie des Sägeblatts fern. Vermeiden Sie die Berührung eines auslaufenden Sägeblatts. Es kann auch in diesem Zustand noch schwere Verletzungen verursachen.**
 3. **Betreiben Sie die Säge nicht ohne Schutzvorrichtungen. Überprüfen Sie die Schutzhaube vor jeder Benutzung auf einwandfreies Schließen. Betreiben Sie die Säge nicht, wenn sich die Schutzhaube nicht ungehindert bewegt und sich nicht sofort schließt. Die Schutzhaube darf auf keinen Fall in der geöffneten Stellung festgeklemmt oder festgebunden werden.**
 4. **Führen Sie keine freihändigen Arbeiten aus.** Das Werkstück muss bei allen Operationen mit der Schraubzwinde fest gegen Drehteller und Gehrungsanschlag gesichert werden. Halten Sie Werkstücke niemals nur mit der Hand.
 5. **Fassen Sie niemals um das Sägeblatt.**
 6. **Schalten Sie die Maschine aus und lassen Sie das Sägeblatt zum Stillstand kommen, bevor Sie das Werkstück bewegen oder Einstellungen ändern.**
 7. **Trennen Sie die Maschine vom Stromnetz, bevor Sie das Sägeblatt wechseln oder die Maschine warten.**
 8. **Sichern Sie stets alle beweglichen Teile, bevor Sie die Maschine tragen.**
 9. **Der Anschlagstift, der den Schneidkopf verriegelt, ist nur zum Tragen und zur Lagerung, nicht für irgendwelche Schneidarbeiten, vorgesehen.**
 10. **Betreiben Sie die Maschine nicht in Gegenwart von brennbaren Flüssigkeiten oder Gasen.**
 11. **Überprüfen Sie das Sägeblatt vor dem Betrieb sorgfältig auf Risse oder Beschädigung.**
12. **Verwenden Sie nur die für diese Maschine vorgeschriebenen Flansche.**
 13. **Achten Sie sorgfältig darauf, dass Achse, Flansche (insbesondere die Ansatzfläche) und Schraube nicht beschädigt werden. Eine Beschädigung dieser Teile kann zu einem Sägeblattbruch führen.**
 14. **Vergewissern Sie sich, dass der Drehteller einwandfrei gesichert ist, damit er sich während des Betriebs nicht bewegt.**
 15. **Zur Sicherheit sollte die Tischplatte vor dem Betrieb von Spänen, Kleinteilen usw. gesäubert werden.**
 16. **Schneiden Sie keine Nägel durch. Untersuchen Sie das Werkstück sorgfältig auf Nägel, und entfernen Sie diese vor der Bearbeitung.**
 17. **Vergewissern Sie sich vor dem Einschalten der Maschine, dass die Spindelarretierung freigegeben ist.**
 18. **Vergewissern Sie sich, dass das Sägeblatt in der Tiefstellung nicht mit dem Drehteller in Berührung kommt.**
 19. **Halten Sie den Handgriff sicher fest. Beachten Sie, dass sich die Säge beim Anlaufen und Abstellen geringfügig nach oben oder unten bewegt.**
 20. **Vergewissern Sie sich vor dem Einschalten der Maschine, dass das Sägeblatt nicht das Werkstück berührt.**
 21. **Lassen Sie die Maschine vor dem eigentlichen Schneiden eines Werkstücks eine Weile laufen. Achten Sie auf Vibrationen oder Taumelbewegungen, die Anzeichen für schlechte Montage oder ein schlecht ausgewuchertes Sägeblatt sein können.**
 22. **Warten Sie, bis das Sägeblatt die volle Drehzahl erreicht hat, bevor Sie mit dem Schneiden beginnen.**
 23. **Brechen Sie sofort den Betrieb ab, wenn Sie irgendetwas Ungewöhnliches bemerken.**
 24. **Versuchen Sie nicht, den Schalter in der Einschaltstellung zu arretieren.**
 25. **Seien Sie stets wachsam, besonders bei sich dauernd wiederholenden, eintönigen Arbeiten. Lassen Sie sich nicht in trügerische Sicherheit wiegen. Sägeblätter kennen kein Erbarmen.**
 26. **Verwenden Sie stets das in dieser Anleitung empfohlene Zubehör. Der Gebrauch ungeeigneten Zubehörs, wie z.B. Schleifscheiben, kann Verletzungen zur Folge haben.**
 27. **Benutzen Sie die Säge nur zum Schneiden von Aluminium, Holz oder ähnlichem Material.**
 28. **Schließen Sie Gehrungs- und Kappsägen beim Betrieb an eine Staubsammelvorrichtung an.**
 29. **Wählen Sie die Sägeblätter unter Berücksichtigung des zu schneidenden Materials aus.**
 30. **Lassen Sie beim Nutenschneiden Vorsicht walten.**
 31. **Wechseln Sie die Schlitzplatte bei Verschleiß aus.**
 32. **Verwenden Sie keine Sägeblätter aus Schnellstahl.**

33. Bei manchen Werkstoffen kann der beim Sägen erzeugte Staub Chemikalien enthalten, die erwiesenermaßen Krebs, Geburtsfehler oder Schäden an Fortpflanzungsorganen verursachen. Beispiele dieser Chemikalien sind wie folgt:
- Blei in Lack mit Bleizusatz
 - Arsen und Chrom in chemisch behandeltem Bauholz.
- Ihre Gefährdung durch den Umgang mit solchen Chemikalien hängt davon ab, wie oft Sie diese Arbeiten verrichten. Um Ihre Aussetzung zu diesen Chemikalien zu reduzieren: Arbeiten Sie in gut belüfteter Umgebung, und verwenden Sie geprüfte Sicherheitsvorrichtungen, wie z.B. Staubmasken, die mikroskopische Teilchen herausfiltern.
34. Um den erzeugten Geräuschpegel zu reduzieren, achten Sie stets darauf, dass das Sägeblatt scharf und sauber ist.
35. Die Bedienungsperson sollte in der Handhabung, Einstellung und Bedienung der Maschine hinreichend geschult sein.
36. Verwenden Sie korrekt geschärfte Sägeblätter. Halten Sie die auf dem Sägeblatt angegebene Maximaldrehzahl ein.
37. Unterlassen Sie das Entfernen von Bruchstücken oder anderen Teilen des Werkstücks vom Schnittbereich, während die Maschine läuft und das Sägeblatt sich nicht in der Ruhestellung befindet.

BEWAHREN SIE DIESE HINWEISE SORGFÄLTIG AUF.

INSTALLATION

Werkbankmontage

Der Handgriff wurde werksseitig vor dem Versand mit dem Anschlagstift in der Tiefstellung verriegelt. Lösen Sie die Verriegelung, indem Sie den Handgriff etwas herunterdrücken und den Anschlagstift herausziehen. (Abb. 1)

Diese Maschine sollte unter Verwendung der Schraubenbohrungen in der Grundplatte mit zwei Schrauben auf einer ebenen und stabilen Oberfläche befestigt werden. Dadurch werden Umkippen und mögliche Verletzungen vermieden. (Abb. 2)

Drehen Sie die Einstellschraube im oder entgegen dem Uhrzeigersinn, so dass sie mit der Bodenfläche in Berührung kommt, um die Maschine stabil zu halten. (Abb. 3)

FUNKTIONSBESCHREIBUNG

VORSICHT:

- Vergewissern Sie sich vor jeder Einstellung oder Funktionsprüfung der Maschine stets, dass sie ausgeschaltet und vom Stromnetz getrennt ist.

Schutzhaube (Abb. 4 und 5)

Für alle Länder außerhalb Europas

Wird der Handgriff abgesenkt, hebt sich die Schutzhaube automatisch. Die Schutzhaube ist gefedert, so dass sie in ihre Ausgangsstellung zurückkehrt, wenn der Schnitt vollendet ist und der Handgriff angehoben wird. NIEMALS DIE SCHUTZHAUBE ODER DIE DARAN ANGEBRACHTE FEDER FUNKTIONSunFÄHIG MACHEN ODER ENTFERNEN.

Im Interesse Ihrer eigenen Sicherheit sollten Sie die Schutzhaube stets in ordnungsgemäßem Zustand halten. Funktionsstörungen der Schutzhaube müssen sofort behoben werden. Überprüfen Sie die gefederte Rückkehrbewegung der Schutzhaube. BENUTZEN SIE DIE MASCHINE NIEMALS MIT BESCHÄDIGTER, DEFEKTER ODER FEHLENDER SCHUTZHAUBE ODER FEDER. DIES IST ÄUSSERST GEFÄHRLICH UND KANN SCHWERE VERLETZUNGEN VERURSACHEN.

Für europäische Länder

Wird der Handgriff abgesenkt, hebt sich die Schutzhaube A automatisch. Die Schutzhaube B hebt sich bei Berührung mit dem Werkstück. Die Schutzhauben sind gefedert, so dass sie in ihre Ausgangsstellung zurückkehren, wenn der Schnitt vollendet ist und der Handgriff angehoben wird. DIE SCHUTZHAUBEN ODER DIE DARAN ANGEBRACHTEN FEDERN DÜRFEN AUF KEINEN FALL FUNKTIONSunFÄHIG GEMACHT ODER ENTFERNT WERDEN.

Im Interesse Ihrer eigenen Sicherheit sollten Sie die Schutzhauben stets in ordnungsgemäßem Zustand halten. Funktionsstörungen der Schutzhauben müssen sofort behoben werden. Überprüfen Sie die gefederte Rückkehrbewegung der Schutzhauben. BENUTZEN SIE DIE MASCHINE NIEMALS MIT BESCHÄDIGTEN, DEFEKTEN ODER FEHLENDEN SCHUTZHAUBEN ODER FEDERN. DIES IST ÄUSSERST GEFÄHRLICH UND KANN SCHWERE VERLETZUNGEN VERURSACHEN.

Wenn die transparente Schutzhaube schmutzig wird oder soviel Sägemehl an ihr haftet, dass das Sägeblatt nicht mehr ohne weiteres sichtbar ist, sollten Sie die Säge vom Stromnetz trennen und die Schutzhaube mit einem feuchten Tuch sorgfältig reinigen. Verwenden Sie keine Lösungsmittel oder Reinigungsmittel auf Petroleumbasis zum Reinigen der Kunststoff-Schutzhaube.

Wenn bei besonders starker Verschmutzung der Schutzhaube die Sicht durch die Schutzhaube behindert ist, lösen Sie die Sechskantschraube, mit der die Mittenabdeckung befestigt ist, mit dem mitgelieferten Steckschlüssel. Lösen Sie die Sechskantschraube durch Drehen entgegen dem Uhrzeigersinn, und heben Sie die Schutzhaube und die Mittenabdeckung an. In dieser Stellung der Schutzhaube kann die Reinigung gründlicher und effizienter durchgeführt werden. Wenden Sie nach der Reinigung das obige Demontageverfahren umgekehrt an, und ziehen Sie die Schraube an. Entfernen Sie nicht die Feder, welche die Schutzhaube hält. Falls sich die Schutzhaube durch Alterung oder UV-Strahlung verfärbt, bestellen Sie eine neue Schutzhaube bei einer Makita-Kundendienststelle. DIE SCHUTZHAUBE DARF NICHT FUNKTIONSunFÄHIG GEMACHT ODER ENTFERNT WERDEN.

Positionieren der Schlitzplatte (Abb. 6 und 7)

Diese Maschine ist mit Schlitzplatten im Drehteller versehen, um Reißen am Austrittsende eines Schnitts auf ein Minimum zu reduzieren. Die Schlitzplatten sind werksseitig so eingestellt, dass das Sägeblatt nicht mit ihnen in Berührung kommt. Stellen Sie die Schlitzplatten vor dem Gebrauch wie folgt ein:

Ziehen Sie zuerst den Netzstecker ab. Drehen Sie alle Befestigungsschrauben der Schlitzplatten (je 2 auf der linken und rechten Seite) heraus. Ziehen Sie die Schrauben nur so weit an, dass sich die Schlitzplatten noch leicht von Hand bewegen lassen. Senken Sie den Handgriff völlig ab, und schieben Sie den Anschlagstift hinein, um den Handgriff in der Tiefstellung zu verriegeln. Lösen Sie die zwei Klemmschrauben, mit denen die Gleitstangen gesichert sind. Ziehen Sie den Schlitten ganz auf sich zu. Stellen Sie die Schlitzplatten so ein, dass sie die Seiten der Sägeblattzähne nur leicht berühren. Ziehen Sie die vorderen Schrauben an (nicht fest anziehen). Schieben Sie den Schlitten ganz zum Gehrungsanschlag, und stellen Sie die Schlitzplatten so ein, dass sie die Seiten der Sägeblattzähne nur leicht berühren. Ziehen Sie die hinteren Schrauben an (nicht fest anziehen). Ziehen Sie den Anschlagstift nach der Einstellung der Schlitzplatten wieder heraus, und heben Sie den Handgriff an. Ziehen Sie dann alle Schrauben fest an (nicht fest anziehen).

VORSICHT:

- Die Schlitzplatten müssen vor und nach jeder Änderung des Neigungswinkels wie oben beschrieben eingestellt werden.

Aufrechterhaltung der maximalen Schnittleistung (Abb. 8 und 9)

Diese Maschine wurde werkseitig so eingestellt, dass die maximale Schnittleistung mit einem Sägeblatt von 190 mm Durchmesser erreicht wird.

Wenn Sie ein neues Sägeblatt montieren, überprüfen Sie immer die untere Grenzposition des Sägeblatts, und nehmen Sie nötigenfalls eine Einstellung vor, wie folgt:

Ziehen Sie zuerst den Netzstecker ab. Schieben Sie den Schlitten ganz bis zum Gehrungsanschlag, und senken Sie den Handgriff vollkommen ab. Drehen Sie die Einstellschraube mit dem Steckschlüssel, bis der Sägeblattumfang am Berührungspunkt von Gehrungsanschlag-Vorderseite und Drehteller-Oberfläche geringfügig unterhalb der Drehteller-Oberfläche liegt.

Drehen Sie das Sägeblatt bei vom Stromnetz getrennter Maschine von Hand, während Sie den Handgriff in der Tiefstellung halten, um sicherzugehen, dass das Sägeblatt keinen Teil des Auflagetisches berührt. Nötigenfalls ist eine Nachjustierung vorzunehmen.

VORSICHT:

- Vergewissern Sie sich nach der Montage eines neuen Sägeblatts stets, dass das Sägeblatt in der Tiefstellung des Handgriffs keinen Teil des Auflagetisches berührt. Führen Sie diese Überprüfung immer bei abgezogenem Netzstecker durch.

Anschlagarm (Abb. 10)

Die untere Grenzposition des Sägeblatts kann mit dem Anschlagarm leicht eingestellt werden. Schwenken Sie den Anschlagarm zum Einstellen in Pfeilrichtung, wie in der Abbildung gezeigt. Stellen Sie die Einstellschraube so ein, dass das Sägeblatt an der gewünschten Position anhält, wenn der Handgriff ganz abgesenkt wird.

Einstellen des Gehrungswinkels (Abb. 11)

Lösen Sie den Griff durch Linksdrehung. Drehen Sie den Drehteller, während Sie den Verriegelungshebel niederdrücken. Bewegen Sie den Griff, bis der Zeiger auf den gewünschten Winkel der Gehrungswinkelskala zeigt, und ziehen Sie dann den Griff durch Rechtsdrehung fest.

VORSICHT:

- Bringen Sie den Handgriff in die Hochstellung, bevor Sie den Drehteller drehen.
- Sichern Sie den Drehteller nach jeder Änderung des Gehrungswinkels stets durch Anziehen des Griffs gegen Verdrehen.

Einstellen des Neigungswinkels (Abb. 12 und 13)

Um den Neigungswinkel einzustellen, lösen Sie den Hebel auf der Rückseite der Maschine durch Linksdrehen.

Schwenken Sie den Handgriff nach links, um den Sägekopf zu neigen, bis der Zeiger auf den gewünschten Winkel der Neigungswinkelskala zeigt. Ziehen Sie dann den Verriegelungshebel durch Rechtsdrehen fest, um den Arm einwandfrei zu sichern.

Neigen Sie das Sägeblatt nach rechts, und drücken Sie den Entriegelungsknopf auf der Rückseite der Maschine, während Sie das Sägeblatt nach dem Lösen des Hebels etwas nach links neigen. Neigen Sie das Sägeblatt bei gedrücktem Entriegelungsknopf nach rechts.

VORSICHT:

- Bringen Sie den Handgriff in die Hochstellung, bevor Sie das Sägeblatt neigen.
- Sichern Sie den Arm nach jeder Änderung des Neigungswinkels stets durch Anziehen des Hebels im Uhrzeigersinn.
- Wenn der Neigungswinkel geändert wird, müssen die Schlitzplatten gemäß der Beschreibung im Abschnitt "Positionieren der Schlitzplatte" entsprechend eingestellt werden.

Einstellen der Hebelposition (Abb. 14)

Der Hebel kann um jeweils 30° versetzt werden, wenn kein vollständiges Anziehen erreicht wird.

Lösen und entfernen Sie die Schraube, die den Hebel auf der Rückseite der Maschine sichert. Nehmen Sie den Hebel ab, und bringen Sie ihn etwas über der Waagerechten wieder an. Ziehen Sie den Hebel mit der Schraube wieder fest an.

Schaltefunktion

VORSICHT:

- Vergewissern Sie sich vor dem Anschließen der Maschine an das Stromnetz stets, dass der Ein-Aus-Schalter ordnungsgemäß funktioniert und beim Loslassen in die AUS-Stellung zurückkehrt.
- Wenn Sie die Maschine nicht benutzen, entfernen Sie die Einschaltsperrle (Schaltersicherung), und bewahren Sie sie an einem sicheren Ort auf. Dadurch wird unbelegter Betrieb verhindert.
- Betätigen Sie den Ein-Aus-Schalter nicht gewaltsam, ohne die Einschaltsperrle hineinzudrücken. Dies kann zu Beschädigung des Schalters führen.

Für europäische Länder (Abb. 15)

Um versehentliche Betätigung des Ein-Aus-Schalters zu verhüten, ist die Maschine mit einem Einschaltsperrknopf ausgestattet. Zum Einschalten der Maschine den Hebel nach links schieben, den Einschaltsperrknopf hineindrücken, und dann den Ein-Aus-Schalter betätigen. Lassen Sie zum Ausschalten den Ein-Aus-Schalter los.

Für alle Länder außerhalb Europas (Abb. 16)

Um versehentliche Betätigung des Ein-Aus-Schalters zu verhüten, ist die Maschine mit einem Einschaltsperrknopf ausgestattet. Betätigen Sie zum Starten der Maschine den Ein-Aus-Schalter bei gedrücktem Einschaltsperrknopf. Lassen Sie zum Ausschalten den Ein-Aus-Schalter los.

WARNUNG:

- Benutzen Sie die Maschine NIEMALS, wenn der Ein-Aus-Schalter nicht voll funktionsfähig ist. Eine Maschine mit defektem Ein-Aus-Schalter ist ÄUßERST GEFÄHRLICH und muss vor weiterem Gebrauch repariert werden.
- Aus Sicherheitsgründen ist diese Maschine mit einer Einschaltperre ausgestattet, die versehentliches Einschalten der Maschine verhütet. Betreiben Sie die Maschine NIEMALS, wenn sie durch einfache Betätigung des Ein-Aus-Schalters eingeschaltet werden kann, ohne die Einschaltperre zu drücken. Lassen Sie die Maschine von einer Makita-Kundendienststelle ordnungsgemäß reparieren, BEVOR Sie sie weiter benutzen.
- Die Einschaltperre darf NIEMALS festgeklebt oder funktionsunfähig gemacht werden.

Ein- und Ausschalten der Lampen (Abb. 17)

Für Modell LS0714F, LS0714FL

VORSICHT:

- Diese Lampe ist nicht regengeschützt. Waschen Sie die Lampe nicht mit Wasser, und benutzen Sie sie auch nicht bei Regen oder in nasser Umgebung. Anderenfalls kann es zu einem elektrischen Schlag oder Rauchentwicklung kommen.
- Berühren Sie nicht die Linse der Lampe, da sie während des Betriebs oder unmittelbar nach dem Ausschalten sehr heiß ist. Es könnte sonst zu Hautverbrennungen kommen.
- Setzen Sie die Lampe keinen Erschütterungen aus, weil sie sonst beschädigt werden oder ihre Lebensdauer sich verkürzen kann.
- Richten Sie den Lichtstrahl nicht auf Ihre Augen. Dies kann zu Sehschäden führen.
- Decken Sie die Lampe während des Betriebs nicht mit Tüchern, Karton, Pappe oder ähnlichen Objekten ab, weil es sonst zu einem Brand oder einer Entzündung kommen kann.

Drücken Sie den Schalter zum Einschalten der Lampe nach oben, und zum Ausschalten nach unten. Verstellen Sie die Lampe, um den Beleuchtungsbereich zu ändern.

HINWEIS:

- Wischen Sie Schmutz auf der Lampenlinse mit einem trockenen Tuch ab. Achten Sie sorgfältig darauf, dass Sie die Lampenlinse nicht verkratzen, weil sich sonst die Lichtstärke verringert.

Laserstrahlbenutzung (Abb. 18 und 19)

Für Modell LS0714FL, LS0714L

VORSICHT:

- Blicken Sie auf keinen Fall in den Laserstrahl. Der direkte Laserstrahl kann Ihre Augen verletzen.
- LASERSTRAHLUNG! NICHT IN DEN STRAHL BLICKEN ODER DIREKT MIT OPTISCHEN INSTRUMENTEN BETRACHTEN. LASERPRODUKT DER KLASSE 2M.

Um den Laserstrahl einzuschalten, drücken Sie den oberen Teil (I) des Schalters. Um ihn auszuschalten, drücken Sie den unteren Teil (O).

Sie können die Laserlinie entweder zur rechten oder linken Seite des Sägeblatts verschieben, indem Sie die Einstellschraube wie folgt einstellen.

1. Lösen Sie die Einstellschraube durch Linksdrehen.
2. Schieben Sie die gelöste Einstellschraube bis zum Anschlag nach rechts oder links.
3. Ziehen Sie die Einstellschraube an der Anschlagposition fest an.

Die Laserlinie ist werksseitig so eingestellt, dass sie innerhalb 1 mm von der Seitenfläche des Sägeblatts (Schnittposition) liegt.

HINWEIS:

- Falls die Laserlinie beim Arbeiten in Innenräumen in Fensternähe oder im Freien wegen direkten Sonnenlichts verblasst und teilweise oder gänzlich unsichtbar ist, verlegen Sie den Arbeitsplatz an einen Ort, der keinem direkten Sonnenlicht ausgesetzt ist.

Ausrichten der Laserlinie (Abb. 20)

Die Laserlinie kann je nach den Schneidarbeiten entweder zur linken oder rechten Seite des Sägeblatts verschoben werden. Angaben zur Verschiebungsmethode finden Sie im Abschnitt "Laserstrahlbenutzung".

HINWEIS:

- Legen Sie ein Zwischenbrett an den Gehrungsanschlag an, wenn Sie die Schnittlinie bei Compound-schnitten auf die Laserlinie auf der Seite des Gehrungsanschlags ausrichten (Neigungswinkel von 45° und rechter Gehrungswinkel von 45°).
- A) Bei Erhalten der korrekten Größe auf der linken Seite des Werkstücks
 - Verschieben Sie die Laserlinie zur linken Seite des Sägeblatts.
 - B) Bei Erhalten der korrekten Größe auf der rechten Seite des Werkstücks
 - Verschieben Sie die Laserlinie zur rechten Seite des Sägeblatts.

Richten Sie die Schnittlinie am Werkstück auf die Laserlinie aus.

MONTAGE

VORSICHT:

- Vergewissern Sie sich vor der Ausführung von Arbeiten an der Maschine stets, dass sie ausgeschaltet und vom Stromnetz getrennt ist.

Steckschlüssel-Aufbewahrung (Abb. 21)

Der Steckschlüssel wird gemäß der Abbildung aufbewahrt. Ziehen Sie den Steckschlüssel zum Gebrauch aus dem Steckschlüsselhalter heraus. Setzen Sie den Steckschlüssel nach dem Gebrauch wieder in den Steckschlüsselhalter ein.

Montieren und Demontieren des Sägeblatts

VORSICHT:

- Vergewissern Sie sich vor der Montage oder Demontage des Sägeblatts stets, dass die Maschine ausgeschaltet und vom Stromnetz getrennt ist.
- Verwenden Sie nur den mitgelieferten Makita-Steckschlüssel zum Montieren und Demontieren des Sägeblatts. Anderenfalls besteht die Gefahr, dass die Sechskantschraube zu fest oder unzureichend angezogen wird. Dies könnte zu einer Verletzung führen.

Arretieren Sie den Handgriff durch Hinneschieben des Anschlagstifts in der Hochstellung. (Abb. 22)

Zum Demontieren des Sägeblatts lösen Sie zunächst die Sechskantschraube, mit der die Mittenabdeckung befestigt ist, durch Linksdrehung mit dem Steckschlüssel. Heben Sie die Schutzhaube und die Mittenabdeckung an. (Abb. 23)

Blockieren Sie die Spindel durch Drücken der Spindelarretierung, und lösen Sie die Sechskantschraube (linksgängig) durch Rechtsdrehung des Steckschlüssels. Entfernen Sie dann Sechskantschraube, Außenflansch und Sägeblatt. (Abb. 24)

Zum Montieren schieben Sie das Sägeblatt vorsichtig auf die Spindel, wobei Sie darauf achten, dass der Pfeil auf dem Sägeblatt in dieselbe Richtung zeigt wie der Pfeil auf der Schutzhaube. Bringen Sie Außenflansch und Sechskantschraube an, und ziehen Sie dann die Sechskantschraube (linksgängig) bei gedrückter Spindelarretierung durch Linksdrehung des Steckschlüssels fest.

Bringen Sie Schutzhaube und Mittenabdeckung wieder in ihre Ausgangsstellung. Ziehen Sie dann die Sechskantschraube zur Sicherung der Mittenabdeckung im Uhrzeigersinn an. Lösen Sie den Handgriff durch Herausziehen des Anschlagstifts aus der Hochstellung. Senken Sie den Handgriff ab, um zu prüfen, ob sich die Schutzhaube einwandfrei bewegt. Vergewissern Sie sich vor der Benutzung der Maschine, dass die Spindelarretierung gelöst ist. (Abb. 25 und 26)

Staubsaack (Zubehör) (Abb. 27)

Der Staubsaack ermöglicht sauberes Arbeiten und einfaches Staubsammeln. Zum Anbringen wird der Staubsaack auf den Absaugstutzen geschoben.

Wenn der Staubsaack etwa halb voll ist, nehmen Sie ihn von der Maschine ab und ziehen den Verschluss heraus. Entleeren Sie den Staubsaack, indem Sie ihn leicht abklopfen, um die an den Innenflächen haftenden Staubpartikel, die den Durchlass behindern können, zu lösen.

HINWEIS:

Wenn Sie einen Makita-Staubsauger an Ihre Säge anschließen, können Sie noch effizienter und sauberer arbeiten.

Staubsaammelbehälter (Zubehör)

(Abb. 28, 29 und 30)

Schieben Sie den Staubsaammelbehälter auf den Absaugstutzen.

Leeren Sie den Staubsaammelbehälter möglichst früh. Zum Leeren des Staubsaammelbehälters öffnen Sie die Abdeckung durch Drücken des Knopfes, und schützen das Sägemehl aus. Bringen Sie die Abdeckung wieder an ihrer ursprünglichen Position an, bis sie einrastet. Sie können den Staubsaammelbehälter leicht entfernen, indem Sie ihn herausziehen, während Sie ihn in der Nähe des Absaugstutzens am Werkzeug drehen.

HINWEIS:

- Wenn Sie einen Makita-Staubsauger an dieses Werkzeug anschließen, können Sie noch effizienter und sauberer arbeiten.

VORSICHT:

- Leeren Sie den Staubsaammelbehälter, bevor das Niveau des angesammelten Sägemehls den Zylinder teil erreicht.

Sicherung von Werkstücken (Abb. 31)

WARNUNG:

- Die einwandfreie Sicherung des Werkstücks mit dem Schraubstock ist äußerst wichtig. Nachlässigkeit in diesem Punkt kann zu einer Beschädigung der Maschine und/oder Zerstörung des Werkstücks führen. **AUSSERDEM BESTEHT VERLETZUNGSGEFAHR.** Außerdem sollte der Sägekopf nach erfolgtem Schnitt erst nach völligem Stillstand des Sägeblatts angehoben werden.

VORSICHT:

- Wenn Sie lange Werkstücke schneiden, verwenden Sie Stützen, die ebenso hoch sind wie die Oberseite des Drehtellers. Verlassen Sie sich nicht nur auf den Vertikal- und/oder Horizontalschraubstock zur Sicherung des Werkstücks.

Dünnere Material neigt zum Durchhängen. Stützen Sie das Werkstück auf seiner gesamten Länge ab, um Klemmen des Sägeblatts und möglichen RÜCKSCHLAG zu vermeiden.

Vertikal-Schraubstock (Abb. 32)

Der Vertikal-Schraubstock kann an zwei Positionen entweder auf der linken oder rechten Seite des Gehrungsanschlags oder der Auflageplatte (Sonderzubehör) montiert werden. Setzen Sie den Stehbolzen in die Bohrung des Gehrungsanschlags oder der Auflageplatte ein, und sichern Sie ihn durch Anziehen der Schraube.

Stellen Sie den Schraubstockarm auf die Abmessungen des Werkstücks ein, und sichern Sie ihn durch Anziehen der Schraube. Falls die Befestigungsschraube des Schraubstockarms mit dem Gehrungsanschlag in Berührung kommt, installieren Sie die Schraube auf der entgegengesetzten Seite des Schraubstockarms. Vergewissern Sie sich, dass kein Teil der Maschine mit dem Schraubstock in Berührung kommt, wenn der Handgriff ganz abgesenkt und der Schlitten bis zum Anschlag gezogen oder geschoben wird. Falls irgendwelche Teile mit dem Schraubstock in Berührung kommen, ist der Schraubstock zu versetzen.

Drücken Sie das Werkstück flach gegen Gehrungsanschlag und Drehteller. Bringen Sie das Werkstück in die gewünschte Schnittposition, und sichern Sie es einwandfrei durch Anziehen des Schraubstockknopfes.

VORSICHT:

- Das Werkstück muss bei allen Operationen mit dem Schraubstock fest gegen Drehteller und Gehrungsanschlag gesichert werden.

Horizontal-Schraubstock (Sonderzubehör)

(Abb. 33)

Der Horizontal-Schraubstock kann auf der linken Seite des Auflagetisches montiert werden. Durch Linksdrehung des Schraubstockknopfes wird die Schraube gelöst, so dass der Schraubstockschacht schnell vor- und zurückgeschoben werden kann. Durch Rechtsdrehen des Schraubstockknopfes bleibt die Schraube gesichert. Drehen Sie den Schraubstockknopf zum Einspannen von Werkstücken sachte im Uhrzeigersinn, bis der Vorsprung seine Höchstposition erreicht, und ziehen Sie ihn dann fest. Wird der Schraubstockknopf während der Rechtsdrehung hineingedrückt oder herausgezogen, bleibt der Vorsprung eventuell schräg stehen. Drehen Sie den Schraubstockknopf in diesem Fall entgegen dem Uhrzeigersinn zurück, bis sich die Schraube löst, bevor Sie ihn wieder sachte im Uhrzeigersinn drehen. Werkstücke von maximal 120 mm Breite können mit dem Horizontal-Schraubstock eingespannt werden.

VORSICHT:

- Spannen Sie das Werkstück nur ein, wenn sich der Vorsprung an der obersten Position befindet. Anderenfalls wird das Werkstück möglicherweise nicht ausreichend gesichert, so dass die Gefahr besteht, dass es herausgeschleudert, das Sägeblatt beschädigt oder Verlust der Kontrolle verursacht wird, was zu VERLETZUNGEN führen kann.

Auflagebügel und Auflageplatte (Sonderzubehör)

(Abb. 34 und 35)

Die Auflagebügel und die Auflageplatte können zur zusätzlichen horizontalen Abstützung von Werkstücken auf beiden Seiten montiert werden. Montieren Sie die Teile, wie in der Abbildung gezeigt. Ziehen Sie dann die Schrauben fest, um Auflagebügel und Auflageplatte zu sichern.

Wenn Sie lange Werkstücke sägen, verwenden Sie den Auflagerverlängerungssatz (Sonderzubehör). Dieser besteht aus zwei Auflageplatten und zwei Stangen 12.

VORSICHT:

- Lange Werkstücke müssen stets auf gleicher Höhe mit der Drehteller-Oberfläche abgestützt werden, um genaue Schnitte auszuführen und gefährlichen Verlust der Kontrolle über die Maschine zu vermeiden.

BETRIEB

VORSICHT:

- Lösen Sie den Handgriff vor der Benutzung unbedingt auf der Tiefstellung, indem Sie den Anschlagstift herausziehen.
- Vergewissern Sie sich vor dem Einschalten der Maschine, dass das Sägeblatt nicht das Werkstück usw. berührt.
- Üben Sie beim Schneiden keinen übermäßigen Druck auf den Handgriff aus. Zu starker Druck kann zu Überlastung des Motors und/oder verminderter Schnittleistung führen. Drücken Sie den Handgriff nur mit so viel Kraft nieder, wie für reibungslosen Sägebetrieb notwendig ist, ohne einen beträchtlichen Abfall der Sägeblattzahl zu verursachen.

- Drücken Sie den Handgriff zur Ausführung des Schnitts sachte nieder. Bei zu großer oder seitlicher Kraftausübung kann das Sägeblatt in Schwingung versetzt werden, wodurch zusätzliche Sägespuren im Werkstück erzeugt werden und die Schnittgenauigkeit beeinträchtigt wird.
- Schieben Sie den Schlitten bei Schiebesschnitten sachte und ohne anzuhalten zum Gehrungsanschlag. Wird die Schlittenbewegung während des Schnitts unterbrochen, hinterlässt das Sägeblatt eine Markierung im Werkstück, und die Schnittgenauigkeit wird beeinträchtigt.

1. Kappschnitt (Schneiden kleiner Werkstücke) (Abb. 36)

Werkstücke bis zu 50 mm Höhe und 97 mm Breite können folgendermaßen geschnitten werden.

Schieben Sie den Schlitten ganz bis zum Gehrungsanschlag, und ziehen Sie die zwei Klemmschrauben der Gleitstangen durch Rechtsdrehen an, um den Schlitten zu sichern. Spannen Sie das Werkstück mit dem Schraubstock ein. Schalten Sie die Maschine ein, ohne dass das Sägeblatt Kontakt hat, und warten Sie, bis es seine volle Drehzahl erreicht, bevor Sie es absenken. Senken Sie dann den Handgriff zum Schneiden des Werkstücks sachte bis auf die Tiefstellung ab. Sobald der Schnitt beendet ist, schalten Sie die Maschine aus, und WARTEN SIE, BIS DAS SÄGEBLATT ZUM VÖLLIGEN STILLSTAND GEKOMMEN IST, bevor Sie den Sägekopf wieder ganz anheben.

VORSICHT:

- Ziehen Sie die zwei Klemmschrauben der Gleitstangen fest im Uhrzeigersinn an, damit sich der Schlitten während des Schnitts nicht bewegt. Unzulängliches Festziehen kann unerwarteten Rückschlag des Sägeblatts verursachen. Es kann zu SCHWEREN VERLETZUNGEN kommen.

2. Schiebesschnitt (Schneiden breiter Werkstücke) (Abb. 37)

Lösen Sie die zwei Klemmschrauben der Gleitstangen entgegen dem Uhrzeigersinn, so dass der Schlitten frei gleiten kann. Spannen Sie das Werkstück mit dem Schraubstock ein. Ziehen Sie den Schlitten ganz auf sich zu. Schalten Sie die Maschine ein, ohne dass das Sägeblatt Kontakt hat, und warten Sie, bis es seine volle Drehzahl erreicht. Drücken Sie den Handgriff nach unten, und SCHIEBEN SIE DEN SCHLITTEN AUF DEN GEHRUNGSANSCHLAG ZU UND DURCH DAS WERKSTÜCK. Sobald der Schnitt beendet ist, schalten Sie die Maschine aus, und WARTEN SIE, BIS DAS SÄGEBLATT ZUM VÖLLIGEN STILLSTAND GEKOMMEN IST, bevor Sie den Sägekopf wieder ganz anheben.

VORSICHT:

- Zur Ausführung eines Schiebesschnitts: DEN SCHLITTEN ZUNÄCHST GANZ NACH VORNE ZIEHEN, den Handgriff ganz absenken, dann DEN SCHLITTEN AUF DEN GEHRUNGSANSCHLAG ZU SCHIEBEN. STARTEN SIE DEN SCHNITT NIEMALS, OHNE DASS DER SCHLITTEN GANZ NACH VORNE GEZOGEN IST. Falls Sie den Schiebesschnitt ausführen, ohne den Schlitten ganz nach vorne zu ziehen, oder den Schlitten während des Schneidens auf sich zu ziehen, kann es zu unerwartetem Rückschlag des Sägeblatts kommen, was schwere VERLETZUNGEN zur Folge haben kann.

- Führen Sie niemals einen Schiebesschnitt aus, wenn der Handgriff durch Drücken des Anschlagstifts in der Tiefstellung verriegelt ist.
- Lösen Sie niemals die Klemmschraube des Schlittens bei rotierendem Sägeblatt. Es kann sonst zu schweren Verletzungen kommen.

3. Gehrungsschnitt

Nehmen Sie auf den vorherigen Abschnitt "Einstellen des Gehrungswinkels" Bezug.

4. Neigungsschnitt (Abb. 38)

Lösen Sie den Hebel, und neigen Sie das Sägeblatt auf den gewünschten Neigungswinkel (siehe den obigen Abschnitt "Einstellen des Neigungswinkels"). Ziehen Sie den Hebel unbedingt fest an, um den eingestellten Neigungswinkel einwandfrei zu sichern. Spannen Sie das Werkstück mit einem Schraubstock ein. Vergewissern Sie sich, dass der Schlitten ganz in Richtung der Bedienungsperson zurückgezogen ist. Schalten Sie die Maschine ein, ohne dass das Sägeblatt Kontakt hat, und warten Sie, bis es seine volle Drehzahl erreicht. Senken Sie dann den Handgriff unter Druckausübung in Richtung des Sägeblatts sachte bis zur Tiefstellung ab, und SCHIEBEN SIE DEN SCHLITTEN AUF DEN GEHRUNGSANSCHLAG ZU, UM DAS WERKSTÜCK ZU SCHNEIDEN. Sobald der Schnitt beendet ist, schalten Sie die Maschine aus, und WARTEN SIE, BIS DAS SÄGEBLATT ZUM VÖLLIGEN STILLSTAND GEKOMMEN IST, bevor Sie den Sägekopf wieder ganz anheben.

VORSICHT:

- Vergewissern Sie sich stets, dass sich das Sägeblatt während eines Neigungsschnitts in Schrägrichtung senkt. Halten Sie Ihre Hände von der Schnittlinie des Sägeblatts fern.
- Bei Neigungsschnitten kann es vorkommen, dass das abgeschnittene Stück an der Seitenfläche des Sägeblatts aufliegt. Durch Anheben des Sägekopfes bei noch laufender Maschine kann das Werkstück vom Sägeblatt erfasst werden, was zu gefährlichem Heraus-schleudern von Bruchstücken führen kann. Der Sägekopf darf erst angehoben werden, nachdem das Sägeblatt zum völligen Stillstand gekommen ist.
- Üben Sie den Druck auf den Handgriff immer nur parallel zum Sägeblatt aus. Verläuft die Druckrichtung während eines Schnitts nicht parallel zum Sägeblatt, kann sich der Winkel des Sägeblatts verändern, wodurch die Schnittgenauigkeit beeinträchtigt wird.

5. Compoundsschnitt

Unter Compoundsschnitt versteht man das Schneiden eines Werkstücks mit gleichzeitiger Gehrungs- und Neigungswinkleinstellung. Die Kombinationsmöglichkeiten entnehmen Sie bitte der nachstehenden Tabelle.

Gehrungswinkel	Neigungswinkel
Links und Rechts 45°	Links 0° – 45°
Rechts 50°	Links 0° – 40°
Rechts 55°	Links 0° – 30°
Rechts 57°	Links 0° – 25°

Nehmen Sie zur Durchführung von Compoundsschnitten auf die Erläuterungen unter "Kappschnitt", "Schiebeschnitt", "Gehrungsschnitt" und "Neigungsschnitt" Bezug.

6. Schneiden von Aluminium-Strangpressprofilen (Abb. 39)

Verwenden Sie zum Einspannen von Aluminium-Strangpressprofilen Distanzblöcke oder Abfallholzstücke, wie in der Abbildung gezeigt, um eine Verformung des Aluminiums zu vermeiden. Verwenden Sie Schneidflüssigkeit zum Schneiden von Aluminium-Strangpressprofilen, um die Ablagerung von Aluminium-Rückständen am Sägeblatt zu verhüten.

VORSICHT:

- Versuchen Sie niemals, dickes oder rundes Aluminium-Strangpressmaterial zu schneiden. Dicke Aluminium-Strangpressprofile können sich während der Arbeit lösen, und runde Aluminium-Strangpressprofile lassen sich mit dieser Maschine nicht einwandfrei einspannen.

7. Zwischenbrett (Abb. 40)

Durch die Verwendung eines Zwischenbretts lassen sich Werkstücke splitterfrei sägen. Die Bohrungen im Gehrungsanschlag dienen als Befestigungshilfe für ein Zwischenbrett.

Die Maße für ein vorgeschlagenes Zwischenbrett sind aus der Abbildung ersichtlich.

VORSICHT:

- Verwenden Sie glatt gehobeltes Holz von gleichmäßiger Dicke als Zwischenbrett.
- Befestigen Sie das Zwischenbrett mit Schrauben am Gehrungsanschlag. Die Schrauben sind so zu installieren, dass die Schraubenköpfe im Zwischenbrett versenkt sind.
- Drehen Sie den Drehteller bei montiertem Zwischenbrett nicht mit abgesenktem Handgriff. Anderenfalls kommt es zu einer Beschädigung des Sägeblatts und/oder des Zwischenbretts.

8. Wiederholtes Schneiden auf gleiche Länge (Abb. 41)

Wenn Sie mehrere Werkstücke innerhalb des Bereichs von 220 mm bis 385 mm auf die gleiche Länge schneiden, ist die Verwendung der Anschlagplatte (Sonderzubehör) zu empfehlen, um rationeller zu arbeiten. Montieren Sie die Anschlagplatte am Auflagebügel (Sonderzubehör), wie in der Abbildung gezeigt.

Richten Sie die Schnittlinie des Werkstücks entweder auf die linke oder rechte Kante der Nut in der Schlitzplatte aus, und schieben Sie die Anschlagplatte bündig gegen das Ende des Werkstücks, während Sie das Werkstück am Verrutschen hindern. Sichern Sie dann die Anschlagplatte mit der Flügelschraube. Wenn Sie die Anschlagplatte nicht benutzen, lösen Sie die Flügelschraube, um die Anschlagplatte zur Seite zu schieben.

HINWEIS:

- Der Auflageverlängerungssatz (Sonderzubehör) ermöglicht das wiederholte Schneiden auf gleiche Längen von bis zu etwa 2 200 mm.

9. Nutenschneiden (Abb. 42)

Ein Dado-Schnitt kann folgendermaßen ausgeführt werden:

Stellen Sie die untere Grenzposition des Sägeblatts mit der Einstellschraube und dem Anschlagarm ein, um die Schnitttiefe des Sägeblatts zu begrenzen. Nehmen Sie auf den obigen Abschnitt "Anschlagarm" Bezug.

Nachdem Sie die untere Grenzposition des Sägeblatts eingestellt haben, schneiden Sie mittels Schiebeschnitt parallele Nuten über die Breite des Werkstücks, wie in der Abbildung gezeigt. Heben Sie dann das Werkstückmaterial zwischen den Nuten mit einem Stemmeisen aus. Versuchen Sie nicht, derartige Schnitte mit einem breiten (dicken) Sägeblatt oder einem Dado-Sägeblatt auszuführen. Es kann sonst zu möglichem Verlust der Kontrolle und zu Verletzungen kommen.

VERSICHT:

- Stellen Sie den Anschlagarm unbedingt wieder auf die Ausgangsstellung zurück, wenn Sie andere Schnitte als Nutenschnitte ausführen.

Tragen der Maschine (Abb. 43 und 44)

Vergewissern Sie sich, dass der Netzstecker abgezogen ist. Sichern Sie den Sägekopf in der 0°-Neigungswinkelstellung und den Drehteller ganz in der rechten Gehrungswinkelstellung. Sichern Sie die Gleitstangen, nachdem Sie den Schlitten ganz zum Gehrungsanschlag geschoben haben. Senken Sie den Handgriff ganz ab, und arretieren Sie ihn in der Tiefstellung durch Einschieben des Anschlagstifts.

Tragen Sie die Maschine, indem Sie die Grundplatte auf beiden Seiten halten, wie in der Abbildung gezeigt. Die Maschine lässt sich bequemer tragen, wenn Auflagebügel, Staubsack usw. entfernt werden.

VERSICHT:

- Sichern Sie stets alle beweglichen Teile, bevor Sie die Maschine tragen.
- Der Anschlagstift ist nur zum Tragen und zur Lagerung, nicht für irgendwelche Schneidarbeiten, vorgesehen.

WARTUNG

VERSICHT:

- Denken Sie vor der Durchführung von Überprüfungen oder Wartungsarbeiten stets daran, die Maschine auszuschalten und vom Stromnetz zu trennen.

WARNUNG:

- Achten Sie stets darauf, dass das Sägeblatt scharf und sauber ist, um die bestmögliche und sicherste Leistung zu erzielen.

Einstellen des Schnittwinkels

Diese Maschine wurde werksseitig sorgfältig eingestellt und justiert, doch grobe Behandlung kann die Justierung beeinträchtigen. Sollte Ihre Maschine einer Nachjustierung bedürfen, gehen Sie folgendermaßen vor:

1. Gehrungswinkel

Schieben Sie den Schlitten zum Gehrungsanschlag, und sichern Sie ihn durch Anziehen der zwei Klemmschrauben.

Lösen Sie den Spanngriff, mit dem der Drehteller gesichert wird. Drehen Sie dann den Drehteller, so dass der Zeiger auf 0° auf der Gehrungswinkelskala zeigt. Bewegen Sie dann den Drehteller geringfügig nach links und rechts, bis er einwandfrei in der 0°-Gehrungswinkelraste sitzt. (Lassen Sie den Drehteller unverändert, falls der Zeiger nicht auf 0° zeigt.) Lösen Sie die Sechskantschrauben, die den Gehrungsanschlag halten, mit dem Steckschlüssel. **(Abb. 45)**

Senken Sie den Handgriff ganz ab, und arretieren Sie ihn in der Tiefstellung durch Einschieben des Anschlagstifts. Bringen Sie die Seitenfläche des Sägeblatts mit Hilfe eines Einstelldreiecks, Anschlagwinkels usw. in den rechten Winkel mit der Fläche des Gehrungsanschlags. Ziehen Sie dann die Sechskantschrauben des Gehrungsanschlags von rechts der Reihe nach fest. **(Abb. 46)**

Vergewissern Sie sich, dass der Zeiger auf 0° auf der Gehrungswinkelskala zeigt. Falls der Zeiger nicht auf 0° zeigt, lösen Sie die Halteschraube des Zeigers, und stellen Sie den Zeiger so ein, dass er auf 0° zeigt. **(Abb. 47)**

2. Neigungswinkel

1. 0°-Neigungswinkel

Schieben Sie den Schlitten zum Gehrungsanschlag, und sichern Sie ihn durch Anziehen der zwei Klemmschrauben. Senken Sie den Handgriff ganz ab, und arretieren Sie ihn in der Tiefstellung durch Einschieben des Anschlagstifts. Lösen Sie den Hebel auf der Rückseite der Maschine.

Drehen Sie die 0°-Neigungswinkel-Einstellschraube (untere Schraube) auf der rechten Seite des Arms um zwei bis drei Umdrehungen entgegen dem Uhrzeigersinn, um das Sägeblatt nach rechts zu neigen. **(Abb. 48)**

Bringen Sie die Seitenfläche des Sägeblatts mit Hilfe eines Einstelldreiecks, Anschlagwinkels usw. in den rechten Winkel mit der Drehteller-Oberfläche, indem Sie die 0°-Neigungswinkel-Einstellschraube im Uhrzeigersinn drehen. Ziehen Sie dann den Hebel fest an. **(Abb. 49)**

Vergewissern Sie sich, dass der Zeiger am Arm auf 0° der Neigungswinkelskala am Armhalter zeigt. Falls der Zeiger nicht auf 0° zeigt, lösen Sie die Halteschraube des Zeigers, und stellen Sie den Zeiger so ein, dass er auf 0° zeigt. **(Abb. 50)**

2. 45°-Neigungswinkel

Diese Einstellung kann erst nach erfolgter Einstellung des 0°-Neigungswinkels durchgeführt werden. Zum Einstellen des linksseitigen 45°-Neigungswinkels lösen Sie den Hebel und neigen das Sägeblatt ganz nach links. Vergewissern Sie sich, dass der Zeiger am Hilfsarm auf 45° der Neigungswinkelskala am Armhalter zeigt. Falls der Zeiger nicht auf 45° zeigt, drehen Sie die 45°-Neigungswinkel-Einstellschraube (obere Schraube) auf der rechten Seite des Arms, bis der Zeiger auf 45° zeigt. **(Abb. 51)**

Einstellen der Position der Laserlinie (Abb. 52 und 53)

Für Modell LS0714FL, LS0714L

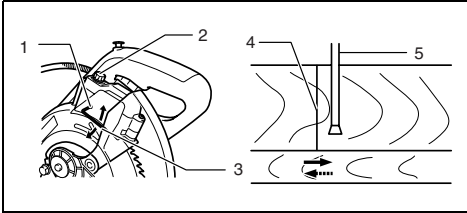
WARNUNG:

- Da die Maschine beim Einstellen der Laserlinienposition am Stromnetz angeschlossen ist, lassen Sie äußerste Vorsicht walten, besonders bei Schalterbetätigung. Durch versehentliche Betätigung des Ein-Aus-Schalters kann die Maschine ungewollt eingeschaltet werden, was Verletzungen zur Folge haben kann.

VORSICHT:

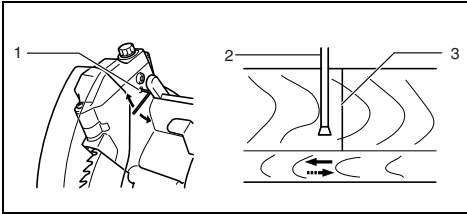
- Blicken Sie auf keinen Fall direkt in den Laserstrahl. Der direkte Laserstrahl verursacht Sehschäden.
- Setzen Sie die Maschine keinen Schlägen oder Stößen aus. Ein Schlag oder Stoß kann eine Verstellung der Laserlinie, eine Beschädigung der Laseroptik oder eine Verkürzung der Lebensdauer der Maschine zur Folge haben.
- Lassen Sie die Maschine von einer autorisierten Makita-Kundendienststelle reparieren, falls eine Störung der Lasereinheit vorliegt. Keine Änderung mit einem anderen Lasertyp ist zulässig.

Verschieben der Laserlinie zur linken Seite des Sägeblatts



- 1 Schraube zum Verstellen des Einstellschrauben-Bewegungsbereichs
- 2 Einstellschraube
- 3 Inbusschlüssel
- 4 Laserlinie
- 5 Sägeblatt

Verschieben der Laserlinie zur rechten Seite des Sägeblatts



- 1 Schraube zum Verstellen des Einstellschrauben-Bewegungsbereichs
- 2 Sägeblatt
- 3 Laserlinie

Gehen Sie für beide Einstellungen folgendermaßen vor.

1. Vergewissern Sie sich, dass der Netzstecker abgezogen ist.
2. Zeichnen Sie die Schnittlinie auf dem Werkstück an, und legen Sie das Werkstück auf den Drehteller. Spannen Sie dabei das Werkstück nicht mit einem Schraubstock oder einer ähnlichen Klemmvorrichtung ein.
3. Senken Sie das Sägeblatt durch Niederdrücken des Handgriffs ab, um lediglich die Lage der Schnittlinie und die Position des Sägeblatts zu überprüfen. (Legen Sie die Schnittposition auf der Schnittlinie fest.)
4. Nachdem Sie die Schnittposition festgelegt haben, bringen Sie den Handgriff wieder in seine Ausgangsstellung. Sichern Sie das Werkstück mit dem Vertikal-Schraubstock, ohne es aus der vorgeprüften Position zu bringen.
5. Schließen Sie die Maschine an das Stromnetz an, und schalten Sie den Laserschalter ein.
6. Stellen Sie die Position der Laserlinie wie folgt ein.

Die Position der Laserlinie kann innerhalb des Stellbereichs der Laser-Einstellschraube verschoben werden, indem zwei Schrauben mit einem Inbusschlüssel gedreht werden. (Der Verstellbereich der Laserlinie wurde werkseitig auf 1 mm von der Seitenfläche des Sägeblatts eingestellt.)

Um den Verstellbereich der Laserlinie weiter von der Seitenfläche des Sägeblatts zu verlagern, drehen Sie die zwei Schrauben entgegen dem Uhrzeigersinn, nachdem Sie die Einstellschraube gelöst haben. Drehen Sie diese beiden Schrauben im Uhrzeigersinn, um die Laserlinie näher an die Seitenfläche des Sägeblatts heranzubringen, nachdem Sie die Einstellschraube gelöst haben.

Nehmen Sie auf den Abschnitt "Laserstrahlbenutzung" Bezug, und stellen Sie die Einstellschraube so ein, dass sich die Schnittlinie auf Ihrem Werkstück mit der Laserlinie deckt.

HINWEIS:

- Überprüfen Sie die Genauigkeit der Laserlinienposition regelmäßig.
- Lassen Sie die Maschine von einer autorisierten Makita-Kundendienststelle reparieren, falls eine Störung der Lasereinheit vorliegt.

Auswechseln der Leuchtstoffröhre (Abb. 54)

Nur für Modell LS0714F, LS0714FL

VORSICHT:

- Vergewissern Sie sich vor dem Auswechseln der Leuchtstoffröhre stets, dass die Maschine ausgeschaltet und vom Stromnetz getrennt ist.
- Schützen Sie die Leuchtstoffröhre vor Druck, Stößen oder Kratzern, die das Glas der Leuchtstoffröhre zum Zerbrechen bringen können, wodurch Sie oder Umstehende verletzt werden können.
- Da die Leuchtstoffröhre unmittelbar nach dem Betrieb noch heiß ist, lassen Sie sie eine Zeitlang abkühlen, bevor Sie sie auswechseln. Anderenfalls können Sie sich verbrennen.

Entfernen Sie die Schrauben, mit denen das Lampengehäuse gesichert ist.

Ziehen Sie das Lampengehäuse heraus, während Sie leichten Druck auf die Oberseite ausüben, wie in der Abbildung gezeigt.

Ziehen Sie die Leuchtstofflampe heraus, und ersetzen Sie sie durch ein neues Makita-Originalteil.

Reinigen der Laserlinse (Abb. 55 und 56)

Für Modell LS0714FL, LS0714L

Falls die Laserlinse schmutzig wird oder Sägemehl an ihr haftet, so dass die Laserlinie schlecht erkennbar ist, trennen Sie die Säge vom Stromnetz, entfernen Sie die Laserlinse, und reinigen Sie sie sorgfältig mit einem feuchten, weichen Tuch. Verwenden Sie keine Lösungsmittel oder Reinigungsmittel auf Petroleumbasis zum Reinigen der Linse.

Um die Laserlinse zu entfernen, muss zuvor das Sägeblatt gemäß den Anweisungen im Abschnitt "Montieren und Demontieren des Sägeblatts" demontiert werden.

Lösen Sie die Halteschraube der Linse mit einem Schraubenzieher, ohne sie ganz zu entfernen.

Ziehen Sie die Linse heraus, wie in der Abbildung gezeigt.

HINWEIS:

- Falls sich die Linse nicht abnehmen lässt, lösen Sie die Schraube etwas mehr, und versuchen Sie erneut, die Linse herauszuziehen, ohne die Schraube zu entfernen.

Auswechseln der Kohlebürsten (Abb. 57 und 58)

Die Kohlebürsten müssen regelmäßig entfernt und überprüft werden. Wenn sie bis zur Verschleißgrenze abgenutzt sind, müssen sie erneuert werden. Halten Sie die Kohlebürsten stets sauber, damit sie ungehindert in den Haltern gleiten können. Beide Kohlebürsten sollten gleichzeitig erneuert werden. Verwenden Sie nur identische Kohlebürsten.

Drehen Sie die Bürstenhalterkappen mit einem Schraubendreher heraus. Nehmen Sie die abgenutzten Kohlebürsten heraus, setzen Sie die neuen ein, und drehen Sie dann die Bürstenhalterkappen wieder ein.

Nach dem Gebrauch

- Wischen Sie nach dem Gebrauch an der Maschine haftende Späne und Staub mit einem Tuch oder dergleichen ab. Halten Sie die Schutzhaube gemäß den Anweisungen im vorhergehenden Abschnitt "Schutzhaube" sauber. Schmieren Sie die Gleitteile der Maschine mit Öl, um Rostbildung zu verhüten.
- Den Sägekopf zur Lagerung der Maschine nach vorne ziehen, um die Linearführungen im Drehteller zu schützen.

Um die SICHERHEIT und ZUVERLÄSSIGKEIT dieses Produkts zu gewährleisten, sollten Reparaturen und andere Wartungs- oder Einstellarbeiten nur von Makita-Vertragswerkstätten oder Makita-Kundendienstzentren unter ausschließlicher Verwendung von Makita-Originalersatzteilen ausgeführt werden.

ZUBEHÖR

VORSICHT:

- Die folgenden Zubehörteile oder Vorrichtungen werden für den Einsatz mit der in dieser Anleitung beschriebenen Makita-Maschine empfohlen. Die Verwendung anderer Zubehörteile oder Vorrichtungen kann eine Verletzungsgefahr darstellen. Verwenden Sie Zubehörteile oder Vorrichtungen nur für ihren vorgesehenen Zweck.

Wenn Sie weitere Einzelheiten bezüglich dieser Zubehörteile benötigen, wenden Sie sich bitte an Ihre Makita-Kundendienststelle.

- Hartmetallbestückte Sägeblätter
- Schraubstockeinheit (Horizontal-Schraubstock)
- Vertikal-Schraubstock
- Steckschlüssel 10
- Haltersatz
- Auflageplatte
- Auflageverlängerungssatz
- Halteplatte
- Staubsack
- Einstelldreieck
- Einschaltsperrknopf (2 Stück)
- Leuchtstoffröhre
- Inbusschlüssel

Visione generale

1	Perno di fermo	33	Supporto tubo	63	Oltre 15 mm
2	Bullone	34	Coperchio centrale	64	Oltre 420 mm
3	Bullone di regolazione	35	Chiave a bussola	65	Fori
4	Protezione lama A	36	Bullone esagonale	66	Piastra di fissaggio
5	Vite con testa ad alette	37	Coperchio di sicurezza	67	Scanalature tagliate con lama
6	Piano di taglio	38	Blocco albero	68	Righello triangolare
7	Lama	39	Freccia	69	Supporto braccio
8	Denti lama	40	Cassa lama	70	Bullone di regolazione angolo a unghia 0 gradi
9	Taglio a unghia sinistro	41	Bullone esagonale (sinistrorso)	71	Bullone di regolazione angolo a unghia 45 gradi sinistro
10	Taglio diritto	42	Flangia esterna	72	Pezzo
11	Base girevole	43	Flangia interna	73	Linea di taglio
12	Guida pezzo	44	Mandrino	74	Morsa verticale
13	Superficie superiore base girevole	45	Sacchetto segatura	75	Tirare fuori
14	Periferia lama	46	Bocchettone segatura	76	Spingere
15	Vite di regolazione	47	Chiusura	77	Scatola lampadina
16	Braccio di fermo	48	Sostegno	78	Viti
17	Leva di blocco	49	Braccio morsa	79	Tubo fluorescente
18	Squadra di taglio obliquo	50	Asta morsa	80	Cacciavite
19	Indice	51	Supporto	81	Vite (un pezzo soltanto)
20	Impugnatura	52	Gruppo supporto (accessorio opzionale)	82	Lente lampadina laser
21	Leva	53	Manopola morsa	83	Segno di limite
22	Bottone di rilascio	54	Sporgenza	84	Tappo portaspazzole
23	Squadra falsa	55	Albero morsa	85	Protezione lama B (per i Paesi europei)
24	Braccio	56	Base	86	Scatola polvere
25	Vite	57	Barra 12	87	Coperchio
26	Bottone di sblocco	58	Due viti di fermo che fissano il polo di scorrimento	88	Tasto
27	Interruttore	59	Due viti di fermo che fissano il polo di scorrimento	89	Cilindro
28	Manico	60	Morsa	90	Segatura
29	Lampadina	61	Blocco distanziatore	91	Protezione lama
30	Interruttore luce	62	Estrusione di alluminio		
31	Interruttore laser				
32	Portachiave				

DATI TECNICI

Modello

LS0714/LS0714F/LS0714FL/LS0714L

Diametro lama.....	190 mm
Diametro foro (asse).....	20 mm
Angolo di taglio obliquo max.	Sinistro 47°, destro 57°
Angolo di taglio a unghia max.	Sinistro 45°, destro 5°
Capacità massima di taglio (A x L) con lama diametro 190 mm.	

Angolo di taglio obliquo	Angolo di taglio a unghia		
	45° (sinistro)	0°	5° (destro)
0°	*45 mm x 265 mm (Nota 1)	*60 mm x 265 mm (Nota 1)	—
	40 mm x 300 mm	52 mm x 300 mm	40 mm x 300 mm
45° (sinistro e destro)	*45 mm x 185 mm (Nota 2)	*60 mm x 185 mm (Nota 2)	—
	40 mm x 212 mm	52 mm x 212 mm	—
57° (destro)	—	*60 mm x 145 mm (Nota 3)	—
		52 mm x 163 mm	

(Nota)

Il segno * indica che viene usato uno spessore di legno dello spessore seguente.

1: Usando uno spessore di legno di 20 mm di spessore.

2: Usando uno spessore di legno di 15 mm di spessore.

3: Usando uno spessore di legno di 10 mm di spessore.

Velocità senza carico (min⁻¹) 6.000

Tipo laser (LS0714FL/L)..... Laser rosso 650 nm, <1mW (Classe laser 2)

Dimensioni (L x A x P)..... 670 mm x 430 mm x 458 mm

Peso netto LS0714: 13,1 kg, LS0714F: 13,4 kg, LS0714FL: 13,7 kg, LS0714L: 13,5 kg

- Per il nostro programma di ricerca e sviluppo continui, i dati tecnici sono soggetti a modifiche senza avviso.
- I dati tecnici potrebbero differire a seconda del Paese di destinazione del modello.
- Peso in base alla procedura EPTA 01/2003

Utilizzo previsto

Questo utensile serve ai tagli dritti e a quartabuono di precisione del legno. Usando le lame appropriate, si può anche tagliare l'alluminio.

Alimentazione

L'utensile deve essere collegato a una presa di corrente con la stessa tensione indicata sulla targhetta del nome, e può funzionare soltanto con la corrente alternata monofase. Esso ha un doppio isolamento conforme alle norme europee, e può perciò essere collegato alle prese di corrente sprovviste della messa a terra.

Consigli per la sicurezza

Per la vostra sicurezza, riferitevi alle accluse istruzioni per la sicurezza.

REGOLE ADDIZIONALI DI SICUREZZA

1. **Portare gli occhiali di protezione.**
2. **Tenere le mani fuori dal percorso della lama. Evitare il contatto con la lama durante il moto inerziale, perché può ancora causare lesioni gravi.**
3. **Non usare la lama senza le protezioni in posizione.**
Controllare che la protezione della lama si chiuda correttamente ogni volta prima di usare l'utensile. Non usare la sega se la protezione non si muove liberamente e non si chiude istantaneamente. Mai bloccare la protezione della lama in posizione di apertura.
4. **Non eseguire alcuna operazione senza tenere saldamente l'utensile.** Il pezzo deve essere fissato saldamente contro la base girevole e la guida pezzo mediante la morsa durante tutte le operazioni. Mai tenerlo fermo con la mano.
5. **Mai avvicinare le mani alla lama in movimento.**
6. **Spegnere l'utensile e aspettare che la lama si sia fermata prima di spostare il pezzo o di cambiare le regolazioni.**
7. **Staccare il cavo di alimentazione dalla presa di corrente prima di cambiare lama o di un intervento di manutenzione.**
8. **Fissare sempre tutte le parti mobili prima di trasportare l'utensile.**
9. **Il perno di fermo che blocca giù la testa troncatrice serve al trasporto e deposito soltanto, e non per le operazioni di taglio.**
10. Non usare l'utensile dove ci sono liquidi o gas infiammabili.
11. Controllare con cura che sulla lama non ci siano crepe od altri danni prima di cominciare il lavoro. Sostituire immediatamente la lama se ci sono crepe od altri danni.
12. Usare esclusivamente le flange specificate per questo utensile.
13. Fare attenzione a non danneggiare l'albero, le flange (soprattutto la superficie di installazione) o il bullone. Se queste parti sono danneggiate, la lama potrebbe rompersi.

ENB034-3

14. Accertarsi che la base girevole sia fissata saldamente in modo che non si muova durante il lavoro.
15. Per motivi di sicurezza, rimuovere dalla superficie superiore della tavola i trucioli, pezzetti di materiale, ecc., prima di cominciare il lavoro.
16. Evitare di tagliare chiodi. Prima di cominciare il lavoro, controllare e togliere i chiodi dal pezzo.
17. Prima di accendere l'utensile, accertarsi di aver rilasciato il fermo dell'albero.
18. Accertarsi che la lama non faccia contatto con la base girevole nella posizione più bassa.
19. Tenere saldamente l'utensile per il manico. Tenere presente che esso si muove leggermente in su o in giù durante l'avviamento o l'arresto.
20. Accertarsi che la lama non sia a contatto con il pezzo prima di accendere l'utensile.
21. Prima di usare l'utensile, lasciarlo girare per qualche momento. Accertarsi che non ci siano vibrazioni o movimenti strani che potrebbero indicare il montaggio o bilanciamento imperfetto della lama.
22. Aspettare che la lama abbia raggiunto la velocità massima prima di cominciare a tagliare.
23. Interrompere immediatamente il lavoro se si nota qualcosa di anormale.
24. Non cercare di bloccare l'interruttore nella posizione di accensione.
25. Stare sempre all'erta, soprattutto durante le operazioni ripetitive e monotone. Non lasciarsi mai indurre a un falso senso di sicurezza. Le lame non perdono.
26. Usare sempre gli accessori raccomandati in questo manuale. L'uso di accessori inadatti, come le ruote abrasive, potrebbe causare lesioni.
27. **Non usare l'utensile per tagliare materiali che non siano il legno, l'alluminio ed altri simili.**
28. **Prima di usare la sega a quartabuono, collegarla a un dispositivo di raccolta della segatura.**
29. **Selezionare le lame adatte al materiale da tagliare.**
30. **Fare attenzione quando si eseguono stozzature.**
31. **Sostituire il piano di taglio se usurato.**
32. **Non usare lame fabbricate con acciaio ad alta velocità.**
33. **La polvere causata dall'utilizzo contiene sostanze chimiche che possono causare il cancro, difetti di nascita od altri danni agli organi di riproduzione. Alcuni tipi di questi materiali sono:**
 - piombo da pittura a base di piombo
 - arsenico e cromo da legname trattato chimicamente.

Il rischio dall'esposizione a queste sostanze varia secondo la frequenza di questo tipo di lavoro. Per ridurre l'esposizione a queste sostanze chimiche: lavorare in un ambiente ben ventilato con l'attrezzatura di sicurezza specificata, come le mascherine antipolvere progettate specialmente per il filtraggio delle particelle microscopiche.
34. **Per ridurre il rumore emesso, accertarsi sempre che le lame usate siano affilate e pulite.**
35. **L'operatore deve essere adeguatamente addestrato all'utilizzo, regolazione e funzionamento dell'utensile.**
36. **Usare correttamente le lame affilate. Rispettare la velocità massima indicata sulle lame stesse.**

37. **Non rimuovere le parti tagliate od altre parti del pezzo dall'area di taglio mentre l'utensile sta funzionando e la testa della sega non si trova sulla posizione di riposo.**

CONSERVARE QUESTE ISTRUZIONI.

INSTALLAZIONE

Montaggio su banco

Al momento della spedizione dell'utensile, il manico viene bloccato in posizione abbassata con un perno di fermo. Rilasciare il perno di fermo abbassando leggermente il manico e tirando il perno di fermo. (Fig. 1)

L'utensile deve essere fissato con due bulloni a una superficie piana e stabile usando i fori per bulloni che si trovano sulla base. Ciò impedisce il rovesciamento dell'utensile con pericolo di lesioni. (Fig. 2)

Girare il bullone di regolazione in senso orario o antiorario in modo che faccia contatto con la superficie del pavimento, per mantenere stabile l'utensile. (Fig. 3)

DESCRIZIONE DELLE FUNZIONI

ATTENZIONE:

- Accertarsi sempre che l'utensile sia spento e staccato dalla presa di corrente prima di regolare o di controllare il suo funzionamento.

Protezione lama (Figg. 4 e 5)

Modello per i Paesi extraeuropei

Quando si abbassa l'impugnatura, la protezione della lama si solleva automaticamente. La protezione è caricata da una molla, per cui torna sulla sua posizione originale quando si solleva l'impugnatura al completamento del taglio. **MAI RENDERE INOPERANTE O RIMUOVERE LA PROTEZIONE DELLA LAMA O LA MOLLA ATTACCATA ALLA PROTEZIONE.**

Per la propria sicurezza, mantenere sempre la protezione della lama in buone condizioni. Qualsiasi irregolarità nel funzionamento della protezione deve essere corretta immediatamente. Accertarsi che l'azione della carica della molla faccia tornare la protezione in posizione. **MAI USARE L'UTENSILE SE LA PROTEZIONE O LA MOLLA SONO DANNEGGIATE, DIFETTOSE O RIMOSSE. CIÒ È MOLTO PERICOLOSO E PUÒ CAUSARE SERIE LESIONI PERSONALI.**

Modello per i Paesi europei

Quando si abbassa il manico, la protezione della lama A si solleva automaticamente. La protezione della lama B si solleva quando fa contatto con il pezzo. Le protezioni sono caricate da una molla, per cui tornano sulle loro posizioni originali quando si solleva il manico al completamento del taglio. **MAI RENDERE INOPERANTI O RIMUOVERE LE PROTEZIONI DELLA LAMA O LA MOLLA ATTACCATA ALLE PROTEZIONI.**

Per la propria sicurezza, mantenere sempre in buone condizioni ciascuna protezione della lama. Qualsiasi irregolarità nel funzionamento delle protezioni della lama deve essere corretta immediatamente. Controllare l'azione di ritorno delle protezioni caricate dalla molla. **MAI USARE L'UTENSILE SE LE PROTEZIONI DELLA LAMA O LA MOLLA SONO DANNEGGIATE, DIFETTOSE O RIMOSSE. CIÒ È MOLTO PERICOLOSO E PUÒ CAUSARE SERIE LESIONI PERSONALI.**

Se la protezione trasparente della lama diventa sporca, oppure se la segatura vi rimane attaccata in modo che la lama non è più visibile, staccare l'utensile dalla presa di corrente e pulire accuratamente la protezione con un panno bagnato. Non usare solventi o pulitori a base di petrolio per pulire la protezione di plastica.

Se la protezione lama è particolarmente sporca e impedisce la visione attraverso di essa, usare la chiave a bussola in dotazione per allentare il bullone esagonale che fissa il coperchio centrale. Allentare il bullone esagonale girandolo in senso antiorario e sollevare la protezione lama e il coperchio centrale. Con la protezione lama posizionata in questo modo, la pulizia può essere fatta più completamente ed efficientemente. Al completamento della pulizia, invertire il procedimento sopra e fissare il bullone. Non rimuovere la molla che fissa la protezione lama. Se la protezione si discolora con il tempo o per l'esposizione agli ultravioletti, rivolgersi al centro di assistenza Makita per sostituirla. **NON RENDERE INUTILIZZABILE O RIMUOVERE LA PROTEZIONE.**

Posizionamento dei piani di taglio (Figg. 6 e 7)

Questo utensile è dotato di piani di taglio nella base girevole, per minimizzare la frammentazione sul lato d'uscita del taglio. I piani di taglio sono stati regolati in fabbrica in modo che la lama non faccia contatto con essi. Prima di procedere, regolare i piani di taglio come segue:

Staccare per prima cosa l'utensile dalla presa di corrente. Allentare tutte le viti (2 su ciascun lato destro e sinistro) che fissano i piani di taglio. Stringerle di nuovo soltanto in modo che i piani di taglio possano essere facilmente mossi a mano. Abbassare completamente il manico e spingere dentro il perno di fermo per bloccarlo nella posizione abbassata. Allentare le due viti di fermo che fissano i poli di scorrimento. Tirare completamente il carrello verso di sé. Regolare i piani di taglio in modo che facciano appena contatto con i fianchi dei denti della lama. Stringere le viti anteriori (non stringerle saldamente). Spingere completamente il carrello verso la guida pezzo e regolare i piani di taglio in modo che facciano appena contatto con i fianchi dei denti della lama. Stringere le viti posteriori (non stringerle saldamente). Dopo aver regolato i piani di taglio, rilasciare il perno di fermo e sollevare il manico. Stringere poi saldamente tutte le viti.

ATTENZIONE:

- Prima e dopo aver cambiato l'angolo di taglio a unghia, regolare sempre i piani di taglio come descritto sopra.

Per mantenere sempre la capacità massima di taglio (Figg. 8 e 9)

Questo utensile è stato regolato in fabbrica in modo da fornire la capacità massima di taglio con le lame di 190 mm.

Installando una nuova lama, controllare sempre la posizione del limite inferiore della lama e, se necessario, regolarla come segue:

Staccare per prima cosa l'utensile dalla presa di corrente. Spingere completamente il carrello verso la guida pezzo e abbassare del tutto il manico. Usare la chiave a bussola per girare il bullone di regolazione finché la periferia della lama si estende leggermente sotto la superficie superiore della base girevole sul punto in cui la faccia frontale della guida pezzo incontra la superficie superiore della base girevole.

Con l'utensile staccato dalla presa di corrente, girare la lama a mano tenendo il manico completamente abbassato per assicurarsi che la lama non faccia contatto con una parte qualsiasi della base inferiore. Regolare di nuovo leggermente, se necessario.

ATTENZIONE:

- Dopo l'installazione della nuova lama, accertarsi che non faccia contatto con una parte qualsiasi della base inferiore quando si abbassa completamente il manico. Ciò va sempre fatto con l'utensile staccato dalla presa di corrente.

Braccio di fermo (Fig. 10)

La posizione del limite inferiore della lama può essere regolata facilmente con il braccio di fermo. Per regolarla, spostare il braccio di fermo nella direzione della freccia come mostrato in figura. Regolare la vite di regolazione in modo che la lama si fermi sulla posizione desiderata quando si abbassa completamente il manico.

Regolazione dell'angolo di taglio obliquo (Fig. 11)

Allentare l'impugnatura girandola in senso antiorario. Girare la base girevole premendo giù allo stesso tempo la leva di blocco. Dopo aver spostato l'impugnatura sulla posizione in cui l'indice indica l'angolo desiderato sulla squadra a 45°, stringere saldamente l'impugnatura girandola in senso orario.

ATTENZIONE:

- Girando la base girevole, sollevare completamente il manico.
- Dopo aver cambiato l'angolo di taglio obliquo, fissare sempre la base girevole stringendo saldamente l'impugnatura.

Regolazione dell'angolo di taglio a unghia (Figg. 12 e 13)

Per regolare l'angolo di taglio a unghia, allentare la leva sulla parte posteriore dell'utensile girandola in senso antiorario.

Spingere il manico a sinistra per inclinare la lama finché l'indice indica l'angolo desiderato sulla squadra falsa. Stringere poi saldamente la leva girandola in senso orario per fissare il braccio.

Per inclinare la leva a destra, spingere il bottone di rilascio sulla parte posteriore dell'utensile inclinando allo stesso tempo leggermente la lama a sinistra dopo aver allentato la leva. Con il bottone di rilascio inserito, inclinare la lama a destra.

ATTENZIONE:

- Inclinando la lama, sollevare completamente il manico.
- Dopo aver cambiato l'angolo di taglio a unghia, fissare sempre il braccio stringendo la leva in senso orario.
- Cambiando gli angoli di taglio a unghia, posizionare in modo appropriato i piani di taglio come spiegato nella sezione "Posizionamento dei piani di taglio".

Regolazione della posizione della leva (Fig. 14)

La leva può essere riposizionata ad ogni angolo di 30° quando non permette il serraggio completo.

Allentare e rimuovere la vite che fissa la leva sulla parte posteriore dell'utensile. Rimuovere la leva e installarla di nuovo in modo che sia leggermente sopra il livello. Fissare saldamente la leva con la vite.

Utilizzo dell'interruttore

ATTENZIONE:

- Prima di collegare l'utensile alla presa di corrente, controllare sempre che l'interruttore funzioni correttamente e che torni sulla posizione "OFF" quando viene rilasciato.
- Quando non si usa l'utensile, rimuovere il bottone di sblocco e conservarlo in un posto sicuro. Ciò impedisce l'utilizzo non autorizzato dell'utensile.
- Non schiacciare con forza l'interruttore senza premere dentro il bottone di sblocco. Ciò può causare la rottura dell'interruttore.

Modello per i Paesi europei (Fig. 15)

L'utensile è dotato un un bottone di sblocco, per evitare che l'interruttore venga schiacciato accidentalmente. Per avviare l'utensile, spingere la leva a sinistra, premere dentro il bottone di sblocco e schiacciare l'interruttore. Rilasciare l'interruttore per fermarlo.

Modello per i Paesi extraeuropei (Fig. 16)

L'utensile è dotato un un bottone di sblocco, per evitare che l'interruttore venga schiacciato accidentalmente. Per avviare l'utensile, premere dentro il bottone di sblocco e schiacciare l'interruttore. Rilasciare l'interruttore per fermarlo.

AVVERTIMENTO:

- MAI usare l'utensile se l'interruttore non funziona perfettamente. Gli utensili con l'interruttore guasto sono MOLTO PERICOLOSI, per cui devono essere riparati prima di continuare ad usarli.
- Per la propria sicurezza, questo utensile è dotato di un bottone di sblocco che impedisce il suo avviamento accidentale. MAI usare l'utensile se funziona quando si schiaccia semplicemente l'interruttore senza spingere dentro il bottone di sblocco. Riportare l'utensile al centro di assistenza Makita per la riparazione PRIMA di continuare a usarlo.
- MAI bloccare con nastro adesivo il bottone di sblocco premuto dentro, o renderne inutile lo scopo e la funzione.

Accensione della lampadina (Fig. 17)

Modelli LS0714F, LS0714FL

ATTENZIONE:

- Questa lampadina non è impermeabile. Non lavarla con acqua o usarla sotto la pioggia o dove c'è bagnato. Ciò può causare una scossa elettrica e fumo.
- Non toccare la lente della lampadina, perché è molto calda quando è accesa o subito dopo che viene spenta. Ciò può causare bruciature sulla pelle.
- Fare attenzione a non urtare la lampadina, perché si potrebbe danneggiarla o ridurne la vita di servizio.
- Non puntare il raggio della lampadina sugli occhi. Ciò può danneggiarli.
- Non coprire la lampadina con panni, carta, cartone od altri oggetti simili, perché ciò può causare la loro accensione e un incendio.

Per accendere la lampadina, spingere la parte superiore dell'interruttore, e la parte inferiore per spegnerla.

Muovere la lampadina per spostare l'area di illuminazione.

NOTA:

- Usare un panno asciutto per togliere lo sporco dalla lente della lampadina. Fare attenzione a non graffiare la lente, perché altrimenti l'illuminazione potrebbe ridursi.

Utilizzo del raggio laser (Figg. 18 e 19)

Modelli LS0714FL, LS0714L

ATTENZIONE:

- Mai guardare direttamente il raggio laser. Il raggio laser può danneggiare gli occhi.
- **RADIAZIONE LASER. NON FISSARE IL RAGGIO O GUARDARLO DIRETTAMENTE CON STRUMENTI OTTICI. PRODOTTO LASER DI CLASSE 2M.**

Per accendere il raggio laser, premere la parte superiore (I) dell'interruttore. Premere la parte inferiore (O) per spegnerlo.

La linea laser può essere spostata a destra o a sinistra della lama regolando la vite di regolazione come segue.

1. Allentare la vite di regolazione girandola in senso antiorario.
2. Con la vite di regolazione allentata, spingerla completamente a destra o a sinistra.
3. Stringere saldamente la vite di regolazione sulla posizione dove smette di scorrere.

La linea laser è stata regolata in fabbrica in modo da essere posizionata entro 1 mm dalla superficie laterale della lama (posizione di taglio).

NOTA:

- Se la linea laser è fioca ed è appena visibile o non si vede a causa della luce diretta del sole lavorando all'interno o all'esterno delle finestre, cambiare l'area di lavoro dove non sia esposta alla luce diretta del sole.

Allineamento della linea laser (Fig. 20)

La linea laser può essere spostata a destra o a sinistra della lama secondo le applicazioni di taglio. Per il modo di spostarla, riferirsi alla spiegazione "Utilizzo del raggio laser."

NOTA:

- Usare uno spessore di legno contro la guida pezzo per allineare la linea di taglio con la linea laser sul lato della guida pezzo nei tagli compositi (angolo di taglio a unghia di 45 gradi e angolo di taglio obliquo destro di 45 gradi).
- A) Per ottenere le dimensioni corrette sul lato sinistro del pezzo
 - Spostare la linea laser a sinistra della lama.
 - B) Per ottenere le dimensioni corrette sul lato destro del pezzo
 - Spostare la linea laser a destra della lama.

Allineare la linea di taglio sul pezzo con la linea laser.

MONTAGGIO

ATTENZIONE:

- Accertarsi sempre che l'utensile sia spento e staccato dalla presa di corrente prima di qualsiasi intervento su di esso.

Conservazione della chiave a bussola (Fig. 21)

La chiave a bussola va riposta come mostrato in figura. Per usare la chiave a bussola, tirarla fuori dal portachiave. Dopo aver usato la chiave a bussola, rimetterla nel portachiave.

Installazione o rimozione della lama

ATTENZIONE:

- Accertarsi sempre che l'utensile sia spento e staccato dalla presa di corrente prima di installare o di rimuovere la lama.
- Per installare o rimuovere la lama, usare soltanto la chiave a bussola Makita in dotazione. In caso contrario, si potrebbe causare il serraggio eccessivo o insufficiente del bullone esagonale. Ciò può causare lesioni.

Bloccare il manico in posizione sollevata spingendo dentro il perno di fermo. (Fig. 22)

Per rimuovere la lama, usare la chiave a bussola per allentare il bullone esagonale che fissa il coperchio centrale girandolo in senso antiorario. Sollevare la protezione lama e il coperchio centrale. (Fig. 23)

Premere il blocco albero per bloccare il mandrino, e usare la chiave a bussola per allentare il bullone esagonale in senso orario. Rimuovere poi il bullone esagonale, la flangia esterna e la lama. (Fig. 24)

Per installare la lama, montarla con cura sul mandrino controllando che la direzione della freccia della lama sia rivolta nella stessa direzione della freccia sulla cassa della lama. Installare la flangia esterna e il bullone esagonale, e usare poi la chiave a bussola per stringere saldamente il bullone esagonale (sinistrorso) in senso antiorario premendo allo stesso tempo il blocco albero.

Rimettere la protezione e il coperchio centrale sulla loro posizione originale. Stringere poi il bullone esagonale in senso orario per fissare il coperchio centrale. Rilasciare il manico dalla posizione sollevata tirando il perno di fermo. Abbassare il manico per controllare che la protezione lama si muova correttamente. Accertarsi che il blocco albero abbia rilasciato il mandrino prima di eseguire il taglio. (Figg. 25 e 26)

Sacchetto segatura (accessorio) (Fig. 27)

L'impiego del sacchetto segatura rende pulite le operazioni di taglio e facilita la raccolta della segatura. Per attaccare il sacchetto segatura, montarlo sul bocchettone segatura.

Quando il sacchetto segatura è quasi pieno a metà, rimuoverlo dall'utensile e tirar fuori la chiusura. Svuotare il sacchetto segatura dandogli dei leggeri colpetti, in modo da rimuovere le particelle attaccate all'interno che potrebbero ostacolare la raccolta ulteriore della segatura.

NOTA:

Collegando un aspiratore Makita alla sega, si possono eseguire operazioni di taglio più efficienti e pulite.

Scatola polvere (accessorio) (Figg. 28, 29 e 30)

Inserire la scatola polvere nel bocchettone polvere. Svuotare la scatola polvere quanto più presto possibile. Per svuotare la scatola polvere, aprire il coperchio spingendo il tasto e gettar via la segatura. Rimettere il coperchio nella sua posizione originale in modo che si blocchi. La scatola polvere può essere facilmente rimossa tirandola via girandola vicino al bocchettone polvere sull'utensile.

NOTA:

- Se si collega un aspiratore Makita a questo utensile, si possono fare operazioni di pulizia più efficienti.

ATTENZIONE:

- Svuotare la scatola polvere prima che la segatura raccolta raggiunga il livello del cilindro.

Fissaggio del pezzo (Fig. 31)

AVVERTIMENTO:

- È estremamente importante fissare correttamente e saldamente il pezzo con la morsa. In caso contrario, si potrebbe danneggiare l'utensile e/o distruggere il pezzo. C'È ANCHE PERICOLO DI LESIONI PERSONALI. Inoltre, dopo l'operazione di taglio, NON sollevare la lama finché non si è fermata completamente.

ATTENZIONE:

- Per tagliare i pezzi lunghi, usare sostegni alti quanto il livello della superficie superiore della base girevole. Per fissare il pezzo, non fare affidamento soltanto sulla morsa verticale e/o alla morsa orizzontale. I materiali sottili tendono a incurvarsi al centro. Supportare il pezzo sull'intera sua lunghezza, per evitare che la lama resti incastrata e possibili CONTRACCOLPI.

Morsa verticale (Fig. 32)

La morsa verticale può essere installata in due posizioni, sul lato destro o sinistro della guida pezzo o del gruppo supporto (accessorio opzionale). Inserire l'asta morsa nel foro della guida pezzo o del gruppo supporto, e stringere le viti per fissare l'asta morsa.

Posizionare il braccio morsa secondo lo spessore e la forma del pezzo, e fissare il braccio morsa stringendo la vite. Se la vite per fissare il braccio morsa fa contatto con la guida pezzo, installare la vite sul lato opposto del braccio morsa. Accertarsi che nessuna parte dell'utensile faccia contatto con la morsa quando si abbassa completamente il manico e tirando o spingendo del tutto il carrello. Se una qualche parte fa contatto con la morsa, riposizionare la morsa.

Premere il pezzo piatto contro la guida pezzo e la base girevole. Posizionare il pezzo sulla posizione di taglio desiderata e fissarlo saldamente stringendo la manopola morsa.

ATTENZIONE:

- Il pezzo deve essere fissato saldamente con la morsa contro la base girevole e la guida pezzo durante tutte le operazioni.

Morsa orizzontale (accessorio opzionale) (Fig. 33)

La morsa orizzontale può essere installata sul lato sinistro della base. Girando la manopola morsa in senso antiorario si rilascia la vite e l'albero morsa può essere spostato rapidamente dentro o fuori. Quando si gira la manopola morsa in senso orario, la vite rimane fissata. Per stringere il pezzo, girare delicatamente la manopola morsa in senso orario finché la sporgenza raggiunge la sua posizione più alta, e stringere poi saldamente. Se si forza dentro la manopola morsa o la si tira fuori mentre viene girata in senso orario, la sporgenza potrebbe arrestarsi inclinata. In tal caso, girare la manopola morsa indietro in senso antiorario finché la vite viene rilasciata prima di girarla di nuovo delicatamente in senso orario. La larghezza massima del pezzo che può essere fissato con la morsa orizzontale è di 120 mm.

ATTENZIONE:

- Stringere il pezzo soltanto quando la sporgenza si trova sulla sua posizione più alta. In caso contrario, il pezzo potrebbe venire stretto insufficientemente. Ciò potrebbe causare l'espulsione del pezzo, danneggiare la lama o causare una perdita di controllo con pericolo di LESIONI PERSONALI.

Supporti e gruppo supporti (accessori opzionali) (Fig. 34 e 35)

I supporti e il gruppo supporti possono essere installati su entrambi i lati, come comodo modo di supportare orizzontalmente i pezzi. Installarli come mostrato in figura. Stringere poi saldamente le viti per fissare i supporti e il gruppo supporti.

Per tagliare i pezzi lunghi, usare il gruppo supporti-barre (accessorio opzionale). Esso consiste di due gruppi supporti e di due barre 12.

ATTENZIONE:

- Supportare sempre i pezzi lunghi a livello della superficie della base girevole, per dei tagli accurati e per evitare pericolose perdite di controllo dell'utensile.

UTILIZZO DELL'UTENSILE

ATTENZIONE:

- Prima dell'uso, rilasciare il manico dalla posizione abbassata tirando il perno di fermo.
- Accertarsi che la lama non faccia contatto con il pezzo, ecc., prima di accendere l'utensile.
- Non esercitare una pressione eccessiva sul manico durante il taglio. La forza eccessiva può causare il sovraccarico del motore e/o una diminuzione dell'efficienza di taglio. Spingere giù il manico soltanto con la forza necessaria a un taglio scorrevole senza notevole riduzione della velocità della lama.
- Premere giù delicatamente il manico per eseguire il taglio. Se si preme giù con forza il manico o si applica una pressione laterale, la lama vibra lasciando un segno sul pezzo (segno della lama), e la precisione del taglio viene compromessa.
- Durante un taglio a scorrimento, spingere il carrello verso la guida pezzo senza fermarsi. Se il movimento del carrello si interrompe durante il taglio, sul pezzo viene lasciato un segno e la precisione del taglio viene compromessa.

1. Taglio con pressione (taglio dei pezzi piccoli) (Fig. 36)

I pezzi fino a 50 mm di altezza e 97 mm di larghezza possono essere tagliati nel modo seguente.

Spingere completamente il carrello verso la guida pezzo, e stringere in senso orario le due viti di fermo che fissano i poli di scorrimento per bloccare il carrello. Fissare il pezzo con la morsa. Accendere l'utensile senza che la lama faccia contatto con il pezzo, e aspettare finché raggiunge la velocità massima prima di abbassarla. Abbassare poi delicatamente il manico sulla posizione completamente abbassata per tagliare il pezzo. Al completamento del taglio, spegnere l'utensile e ASPETTARE CHE LA LAMA SI SIA COMPLETAMENTE ARRESTATO prima di rimetterla sulla sua posizione di elevazione massima.

ATTENZIONE:

- Stringere saldamente in senso orario le due viti di fermo che fissano i poli di scorrimento, in modo che il carrello non si muova durante il taglio. Il serraggio insufficiente potrebbe causare un contraccolpo inaspettato della lama. C'è pericolo di LESIONI PERSONALI.

2. Taglio a scorrimento (spinta) (taglio di pezzi larghi) (Fig. 37)

Allentare in senso antiorario le due viti di fermo che fissano i poli di scorrimento, in modo che il carrello possa scorrere liberamente. Fissare il pezzo con la morsa. Tirare completamente il carrello verso di sé. Accendere l'utensile senza che la lama faccia contatto con il pezzo, e aspettare finché raggiunge la massima velocità. Premere giù il manico e SPINGERE IL CARRELLO VERSO LA GUIDA PEZZO E ATTRAVERSO IL PEZZO. Al completamento del taglio, spegnere l'utensile e ASPETTARE CHE LA LAMA SI SIA COMPLETAMENTE ARRESTATATA prima di rimetterla sulla sua posizione di elevazione massima.

ATTENZIONE:

- Ogni volta che si esegue un taglio a scorrimento, TIRARE PRIMA COMPLETAMENTE IL CARRELLO VERSO DI SÉ, premere giù il manico sulla posizione completamente abbassata e poi SPINGERE IL CARRELLO VERSO LA GUIDA PEZZO. MAI COMINCIARE IL TAGLIO CON IL CARRELLO NON TIRATO COMPLETAMENTE VERSO DI SÉ. Se si esegue il taglio a scorrimento senza aver tirato il carrello completamente verso di sé, o se si esegue il taglio a scorrimento verso di sé, si potrebbe verificare un inaspettato contraccolpo della lama con pericolo di serie LESIONI PERSONALI.
- Mai eseguire il taglio a scorrimento con il manico bloccato nella posizione abbassata premendo il perno di fermo.
- Mai allentare la vite di fermo che fissa il carrello mentre la lama gira. Ciò potrebbe causare lesioni serie.

3. Taglio obliquo

Riferirsi alla sezione "Regolazione dell'angolo di taglio obliquo" più indietro nel testo.

4. Taglio a unghia (Fig. 38)

Allentare la leva e inclinare la lama per regolare l'angolo di taglio a unghia. (Riferirsi alla sezione "Regolazione dell'angolo di taglio a unghia" più indietro nel testo.) Stringere di nuovo saldamente la leva per fissare l'angolo di taglio a unghia selezionato. Fissare il pezzo con una morsa. Accertarsi che il carrello sia tirato completamente indietro verso di sé. Accendere l'utensile senza che la lama faccia contatto con il pezzo, e aspettare finché raggiunge la velocità massima. Abbassare poi delicatamente il manico sulla posizione completamente abbassata esercitando una pressione parallelamente alla lama, e SPINGERE IL CARRELLO VERSO LA GUIDA PEZZO PER TAGLIARE IL PEZZO. Al completamento del taglio spegnere l'utensile e ASPETTARE CHE LA LAMA SI SIA FERMATA COMPLETAMENTE prima di rimetterla sulla sua posizione di elevazione massima.

ATTENZIONE:

- Accertarsi sempre che la lama si muova giù nella direzione dell'angolo di taglio a unghia durante il taglio a unghia. Tenere le mani fuori del percorso della lama.
- Durante un taglio a unghia, si potrebbe verificare una situazione in cui il pezzo tagliato viene ad appoggiarsi al fianco della lama. Se si solleva la lama mentre sta girando, il pezzo potrebbe rimanere attaccato alla lama causando una pericolosa espulsione di frammenti. La lama deve essere sollevata SOLTANTO dopo che si è fermata completamente.

- Premendo giù il manico, esercitare una pressione parallelamente alla lama. Se la pressione non è parallelamente alla lama durante il taglio, l'angolo della lama potrebbe spostarsi compromettendo la precisione del taglio.

5. Taglio composito

Il taglio composito è il processo in cui sul pezzo viene fatto un taglio a unghia contemporaneamente a un taglio obliquo. Il taglio composito può essere eseguito all'angolo mostrato nella tabella.

Angolo di taglio obliquo	Angolo di taglio a unghia
Destro e Sinistro 45°	Sinistro 0° – 45°
Destro 50°	Sinistro 0° – 40°
Destro 55°	Sinistro 0° – 30°
Destro 57°	Sinistro 0° – 25°

Per l'esecuzione del taglio composito, riferirsi alle altre sezioni "Taglio con pressione", "Taglio a scorrimento", "Taglio obliquo" e "Taglio a unghia".

6. Taglio delle estrusioni di alluminio (Fig. 39)

Per fissare le estrusioni di alluminio, usare blocchi distanziatori o pezzi di scarto, come mostrato nella illustrazione, per impedire la deformazione dell'alluminio. Per tagliare le estrusioni di alluminio, usare un lubrificante di taglio per evitare l'accumularsi dei trucioli di alluminio sulla lama.

ATTENZIONE:

- Mai cercare di tagliare estrusioni di alluminio spesse o rotonde. Le estrusioni di alluminio spesse possono staccarsi durante il taglio, e quelle rotonde non possono essere fissate saldamente con questo utensile.

7. Spessore di legno (Fig. 40)

L'impiego di uno spessore di legno assicura il taglio senza schegge del pezzo. Attaccare lo spessore di legno alla guida pezzo usando i fori della guida pezzo.

Per lo spessore di legno consigliato, riferirsi alla tabella delle dimensioni.

ATTENZIONE:

- Come spessore di legno, usare un legno dritto di spessore uniforme.
- Usare viti per attaccare lo spessore di legno alla guida pezzo. Le viti devono essere installate in modo che le teste delle viti siano sotto la superficie dello spessore di legno.
- Quando si attacca lo spessore di legno, non girare la base girevole con il manico abbassato. La lama e/o lo spessore di legno vengono danneggiati.

8. Tagli ripetuti della stessa lunghezza (Fig. 41)

Per tagliare diversi pezzi della stessa lunghezza dai 220 mm ai 385 mm, l'impiego della piastra di regolazione (accessorio opzionale) rende il lavoro più efficiente. Installare la piastra di regolazione sul supporto (accessorio opzionale) come mostrato nella illustrazione.

Allineare la linea di taglio sul pezzo con il lato destro o sinistro della scanalatura sul piano di taglio e, tenendo fermo il pezzo in modo che non si muova, spostare la piastra di regolazione a raso contro l'estremità del pezzo. Fissare poi la piastra di regolazione con la vite. Quando non si usa la piastra di regolazione, allentare la vite e spostarla in modo che non interferisca con il lavoro.

NOTA:

- L'impiego del gruppo supporti-barre (accessorio opzionale) permette di fare tagli ripetuti della stessa lunghezza di un massimo di 2.200 mm circa.

9. Taglio scanalato (Fig. 42)

Si possono eseguire tagli di tipo a zoccolo procedendo come segue:

Regolare la posizione del limite inferiore della lama usando la vite di regolazione e il braccio di fermo, per limitare la profondità di taglio della lama. Riferirsi alla sezione "Braccio di fermo" più indietro nel testo.

Dopo aver regolato la posizione di limite inferiore della lama, tagliare scanalature parallele lungo la larghezza del pezzo usando il taglio a scorrimento (spinta), come mostrato nella illustrazione. Rimuovere poi il materiale del pezzo tra le scanalature con uno scalpello. Non cercare di eseguire questo tipo di taglio usando lame larghe (spesse) o una lama per zoccoli. C'è pericolo di una perdita di controllo con lesioni.

ATTENZIONE:

- Rimettere il braccio di fermo sulla sua posizione originale quando si eseguono tagli diversi da quelli scanalati.

Trasporto dell'utensile (Figg. 43 e 44)

Accertarsi che l'utensile sia staccato dalla presa di corrente. Fissare la lama all'angolo di taglio a unghia di 0° e girare completamente la base girevole all'angolo di taglio obliquo destro. Fissare i poli di scorrimento dopo aver tirato completamente il carrello verso la guida pezzo. Abbassare completamente il manico e bloccarlo spingendo dentro il perno di fermo.

Trasportare l'utensile tenendo entrambi i lati della base, come mostrato nella illustrazione. Rimuovendo i supporti, il sacchetto segatura, ecc., l'utensile può essere trasportato più facilmente.

ATTENZIONE:

- Fissare sempre le parti mobili prima di trasportare l'utensile.
- Il perno di fermo serve soltanto al trasporto e al deposito dell'utensile, e non deve essere usato per le operazioni di taglio.

MANUTENZIONE

ATTENZIONE:

- Accertarsi sempre che l'utensile sia spento e staccato dalla presa di corrente prima di eseguire l'ispezione o la manutenzione.

AVVERTIMENTO:

- Per ottenere le prestazioni migliori e più sicure, accertarsi sempre che la lama sia affilata e pulita.

Regolazione dell'angolo di taglio

Questo utensile è stato regolato e allineato con cura in fabbrica, ma se è stato trattato male, potrebbe essersi disallineato. Se non è allineato correttamente, procedere come segue:

1. Angolo di taglio obliquo

Spingere il carrello verso la guida pezzo e stringere le due viti di fermo per fissarlo.

Allentare l'impugnatura che fissa la base girevole. Girare la base girevole in modo che l'indice indichi 0° sulla squadra di taglio obliquo. Girare poi leggermente la base girevole in senso orario e antiorario per assestarla nella tacca di taglio obliquo di 0°. (Lasciarla com'è se l'indice non indica 0°.) Allentare i bulloni esagonali che fissano la guida pezzo usando la chiave a bussola. (Fig. 45)

Abbassare completamente il manico e bloccarlo spingendo dentro il perno di fermo. Squadrare il lato della lama con la faccia della guida pezzo usando un righello triangolare, squadra di riscontro, ecc. Stringere poi saldamente in successione dal lato destro i bulloni esagonali sulla guida pezzo. (Fig. 46)

Accertarsi che l'indice indichi 0° sulla scala di taglio a quartabuono. Se l'indice non indica 0°, allentare la vite che fissa l'indice e regolare l'indice in modo che indichi 0°. (Fig. 47)

2. Angolo di taglio a unghia

1. Angolo di taglio a unghia di 0°

Spingere il carrello verso la guida pezzo e stringere le due viti di fermo per fissarlo. Abbassare completamente il manico e bloccarlo spingendo dentro il perno di fermo. Allentare la leva sulla parte posteriore dell'utensile.

Girare di due o tre giri in senso antiorario il bullone di regolazione angolo di taglio a unghia di 0° (bullone inferiore) sul lato destro del braccio per inclinare la lama a destra. (Fig. 48)

Squadrare con cura il lato della lama con la superficie superiore della base girevole usando il righello triangolare, squadra di riscontro, ecc., girando in senso orario il bullone di regolazione angolo di taglio a unghia di 0°. Stringere poi saldamente la leva. (Fig. 49)

Accertarsi che l'indice sul braccio indichi 0° sulla squadra falsa sul supporto braccio. Se non indica 0°, allentare la vite che fissa l'indice e regolare l'indice in modo che indichi 0°. (Fig. 50)

2. Angolo di taglio a unghia di 45°

Regolare l'angolo di taglio a unghia di 45° soltanto dopo aver eseguito la regolazione dell'angolo di taglio a unghia di 0°. Per regolare l'angolo di taglio a unghia di 45°, allentare la leva e inclinare completamente la lama a sinistra. Accertarsi che l'indice del braccio indichi 45° sulla squadra falsa sul supporto braccio. Se l'indice non indica 45°, girare il bullone di regolazione angolo di taglio a unghia di 45° (bullone superiore) sul lato destro del braccio finché l'indice indica 45°. (Fig. 51)

Regolazione della posizione della linea laser (Figg. 52 e 53)

Modelli LS0714FL, LS0714L

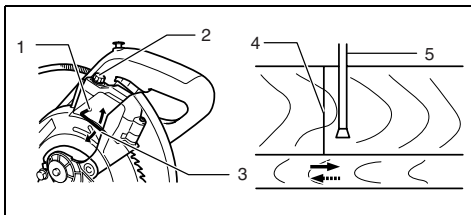
AVVERTIMENTO:

- Collegando l'utensile alla presa di corrente quando si regola la posizione della linea laser, fare soprattutto attenzione a non schiacciare l'interruttore. Se lo si schiaccia accidentalmente avviando l'utensile, c'è pericolo di lesioni personali.

ATTENZIONE:

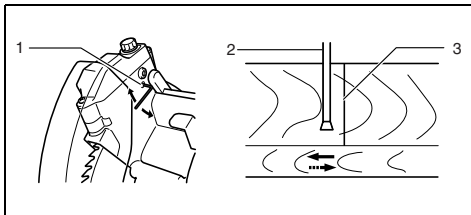
- Mai guardare direttamente il raggio laser. Il raggio laser può danneggiare gli occhi.
- Fare attenzione che l'utensile non subisca urti o colpi. Essi possono causare il posizionamento sbagliato della linea laser danneggiando la parte che emette il raggio laser o riducendo la vita dell'utensile.
- Far riparare l'utensile da un centro di assistenza Makita autorizzato per qualsiasi guasto dell'unità laser. Non è permesso il cambiamento con un tipo diverso di laser.

Regolazione della linea laser sul lato sinistro della lama



- 1 Vite di cambio gamma di spostamento vite di regolazione
- 2 Vite di regolazione
- 3 Chiave esagonale
- 4 Linea laser
- 5 Lama

Regolazione della linea laser sul lato destro della lama



- 1 Vite di cambio gamma di spostamento vite di regolazione
- 2 Lama
- 3 Linea laser

Per entrambe le regolazioni, procedere come segue.

1. Accertarsi che l'utensile sia staccato dalla presa di corrente.
2. Tracciare la linea di taglio sul pezzo e metterlo sulla base girevole. A questo punto, non fissare il pezzo con la morsa od altro dispositivo di fissaggio.
3. Abbassare la lama abbassando il manico, e controllare solo dove si trova la linea di taglio e la posizione della lama. (Decidere la posizione di taglio sulla linea di taglio.)

4. Dopo aver deciso la posizione di taglio, rimettere il manico sulla sua posizione originale. Fissare il pezzo con la morsa verticale senza spostarlo dalla posizione precedentemente controllata.
5. Collegare l'utensile alla presa di corrente e schiacciare l'interruttore laser.
6. Regolare la posizione della linea laser come segue.

La posizione della linea laser può essere cambiata con il cambiamento della gamma di spostamento della vite di regolazione girando le due viti con la chiave esagonale. (La gamma di spostamento della linea laser è stata regolata in fabbrica entro 1 mm dalla superficie laterale della lama.)

Per spostare maggiormente la gamma di spostamento della linea laser dalla superficie laterale della lama, girare le due viti in senso antiorario dopo aver allentato la vite di regolazione. Girare queste due viti in senso orario per spostarla più vicina alla superficie laterale della lama dopo aver allentato la vite di regolazione.

Riferirsi alla sezione "Utilizzo del raggio laser" e regolare la vite di regolazione in modo che la linea di taglio sul pezzo sia allineata con la linea laser.

NOTA:

- Controllare regolarmente la precisione della posizione della linea laser.
- Far riparare l'utensile presso un centro Makita autorizzato nel caso di un qualsiasi difetto dell'unità laser.

Sostituzione del tubo fluorescente (Fig. 54)

Modelli LS0714F, LS0714FL soltanto

ATTENZIONE:

- Accertarsi sempre che l'utensile sia spento e staccato dalla presa di corrente prima di sostituire il tubo fluorescente.
- Non usare forza ed evitare di urtare o di graffiare il tubo fluorescente, perché ciò potrebbe causare la rottura del vetro del tubo con pericolo di lesioni a sé e a chi è vicino.
- Non toccare per qualche tempo il tubo fluorescente immediatamente dopo averlo usato prima di sostituirlo. C'è pericolo di bruciature.

Togliere le viti che fissano la scatola lampadina.

Tirar fuori la scatola lampadina spingendo leggermente la sua parte superiore, come mostrato nella illustrazione. Tirar fuori il tubo fluorescente e sostituirlo con uno nuovo originale Makita.

Pulizia della lente della lampadina laser (Figg. 55 e 56)

Modelli LS0714FL, LS0714L

Se la lente della lampadina laser diventa sporca, oppure se su di essa è rimasta attaccata della segatura in modo che la linea laser non è più visibile, staccare l'utensile dalla presa di corrente e rimuovere e pulire con cura la lente della lampadina laser con un panno morbido bagnato. Per pulire la lente, non usare solventi o pulitori a base di petrolio.

Per togliere la lente dalla lampadina laser, rimuovere la lama prima della lente secondo le istruzioni della sezione "Installazione o rimozione della lama".

Usando un cacciavite, allentare, senza rimuoverla, la vite che fissa la lente.

Tirar fuori la lente come mostrato nella illustrazione.

NOTA:

- Se la lente non viene via, allentare ulteriormente la vite e tirar via di nuovo la lente senza rimuovere la vite.

Sostituzione delle spazzole di carbone**(Figg. 57 e 58)**

Rimuovere e ispezionare regolarmente le spazzole di carbone. Sostituirle quando sono consumate fino al limite di usura. Mantenere pulite le spazzole di carbone, che devono potersi muovere liberamente nel portaspa-zzole. Le spazzole di carbone vanno sostituite entrambe allo stesso tempo. Usare soltanto spazzole di carbone identiche.

Per rimuovere le toppe portaspazzole, usare un caccia-vite. Togliere le spazzole usurate, inserire le nuove e fissare i tappi del portaspazzole.

Dopo l'uso

- Dopo l'uso, togliere i trucioli e la segatura attaccati all'utensile con un panno o uno straccio. Mantenere pulita la protezione della lama facendo riferimento alle spiegazioni di "Protezione lama". Oliare le parti mobili con un lubrificante antiruggine.
- Se si immagazzina l'utensile, tirare il carrello completamente verso di sé in modo che i pali di scorrimento siano inseriti del tutto all'interno della base.

Per preservare la SICUREZZA e l'AFFIDABILITÀ del prodotto, le riparazioni e qualsiasi altro intervento di manutenzione e di regolazione devono essere eseguiti da un centro di assistenza Makita usando ricambi Makita.

ACCESSORI**ATTENZIONE:**

- In questo manuale si consiglia di usare questi accessori o ricambi Makita. L'impiego di altri accessori o ricambi potrebbe costituire un pericolo di lesioni. Usare esclusivamente gli accessori o ricambi per il loro scopo specificato.

Per maggiori dettagli riguardo a questi accessori, rivolgersi a un centro di assistenza Makita.

- Lama al carburo
- Gruppo morsa (morsa orizzontale)
- Morsa verticale
- Chiave a bussola 10
- Set supporti
- Gruppo supporti
- Gruppo barre supporti
- Piastra di regolazione
- Sacchetto segatura
- Righello triangolare
- Bottone di sblocco (2 pezzi)
- Tubo fluorescente
- Chiave a bussola

Verklaring van algemene gegevens

1 Aanslagpen	34 Middenkap	63 Meer dan 15 mm
2 Bout	35 Dopsleutel	64 Meer dan 420 mm
3 Stelbout	36 Zeskante bout	65 Gaten
4 Beschermkap A	37 Veiligheidskap	66 Stelplaat
5 Vleugelschroef	38 Asblokkering	67 Groeven zagen met het zaagblad
6 Zaagsnedeplaat	39 Pijltje	68 Driehoekslinaal
7 Zaagblad	40 Zaagbladkast	69 Armhouder
8 Zaagbladtanden	41 Zeskante bout (linkse schroefdraad)	70 Stelbout voor 0° schuine hoek
9 Linkse schuine snede	42 Buitenflens	71 Stelbout voor 45° linkse schuine hoek
10 Rechte snede	43 Binnenflens	72 Werkstuk
11 Draaitafel	44 As	73 Zaaglijn
12 Geleider	45 Stofzak	74 Verticale spanschroef
13 Bovenvlak van draaitafel	46 Verbindingsstuk	75 Naar buiten trekken
14 Omtrek van zaagblad	47 Sluitstrip	76 Duwen
15 Stelschroef	48 Steun	77 Lampkast
16 Aanslagarm	49 Spanschroefarm	78 Schroeven
17 Vergrendelknok	50 Spanschroefstang	79 TL-buis
18 Verstekschaal	51 Houder	80 Schroevendraaier
19 Wijzer	52 Houdermontage (los verkrijgbaar accessoire)	81 Schroef (één stuk)
20 Handgreep	53 Spanschroefknop	82 Laserstraallens
21 Hendel	54 Uitsteeksel	83 Limietmarkering
22 Vrijmakingsknop	55 Spanschroefas	84 Borstelhouderdop
23 Schuine-hoek schaal	56 Voetstuk	85 Beschermkap B (voor Europese landen)
24 Arm	57 Stang 12	86 Zaagselopvangdoos
25 Schroef	58 Twee klemschroeven voor bevestiging van de sledestang	87 Klep
26 Ontgrendelknop	59 Twee klemschroeven voor bevestiging van de sledestang	88 Knop
27 Trekschakelaar	60 Spanschroef	89 Cilinder
28 Handvat	61 Vulblok	90 Zaagsel
29 Lamp	62 Aluminium werkstuk	91 Beschermkap
30 Lampschakelaar		
31 Laserschakelaar		
32 Sleutelhouder		
33 Stanghouder		

TECHNISCHE GEGEVENS

Model	LS0714/LS0714F/LS0714FL/LS0714L
Diameter zaagblad	190 mm
Diameter zaagbladgat (asgat)	20 mm
Max. verstekhoek	Links 47°, Rechts 57°
Max. schuine hoek	Links 45°, Rechts 5°
Max. zaagcapaciteiten (H x B) met een zaagblad van 190 mm diameter	

Verstekhoek	Schuine hoek		
	45° (links)	0°	5° (rechts)
0°	*45 mm x 265 mm (Opmerking 1)	*60 mm x 265 mm (Opmerking 1)	—
	40 mm x 300 mm	52 mm x 300 mm	40 mm x 300 mm
45° (links en rechts)	*45 mm x 185 mm (Opmerking 2)	*60 mm x 185 mm (Opmerking 2)	—
	40 mm x 212 mm	52 mm x 212 mm	—
57° (rechts)	—	*60 mm x 145 mm (Opmerking 3)	—
		52 mm x 163 mm	

(Opmerking)

Het * teken duidt aan dat een houten hulpstuk van de volgende dikte wordt gebruikt.

- 1: Bij gebruik van een houten hulpstuk met een dikte van 20 mm.
- 2: Bij gebruik van een houten hulpstuk met een dikte van 15 mm.
- 3: Bij gebruik van een houten hulpstuk met een dikte van 10 mm.

Toerental onbelast (min ⁻¹).....	6 000
Lasertype (LS0714FL/L).....	Rode laser 650 nm, <1mW (Laser Klasse 2)
Afmetingen (L x B x H).....	670 mm x 430 mm x 458 mm
Netto gewicht.....	LS0714: 13,1 kg, LS0714F: 13,4 kg, LS0714FL: 13,7 kg, LS0714L: 13,5 kg

- In verband met ononderbroken research en ontwikkeling, behouden wij ons het recht voor de bovenstaande technische gegevens zonder voorafgaande kennisgeving te wijzigen.
- De technische gegevens kunnen van land tot land verschillen.
- Gewicht volgens de EPTA-procedure 01/2003

Doeleinden van gebruik

Dit gereedschap is bedoeld voor nauwkeurig recht zagen en verstekzagen in hout. Bij gebruik van de geschikte zaagbladen kan ook aluminium worden gezaagd.

Stroomvoorziening

Het gereedschap mag alleen worden aangesloten op een stroombron van hetzelfde voltage als aangegeven op de naamplaat, en kan alleen op enkel-fase wisselstroom worden gebruikt. Het gereedschap is dubbel-geïsoleerd volgens de Europese standaard en kan derhalve ook op een niet-geaard stopcontact worden gebruikt.

Veiligheidswenken

Voor uw veiligheid dient u de bijgevoegde Veiligheidsvoorschriften nauwkeurig op te volgen.

AANVULLENDE VEILIGHEIDSVOORSCHRIFTEN VOOR HET GEREEDSCHAP

ENB034-3

- 1. Draag oogbescherming.**
- 2. Houd uw handen uit de buurt van het zaagblad. Raak het freewheelende zaagblad niet aan, aangezien dit nog ernstige verwonding kan veroorzaken.**
- 3. Gebruik de zaag niet zonder dat de veiligheidskappen zijn aangebracht.**
Controleer vóór elk gebruik of de veiligheidskap goed sluit. Gebruik de zaag niet indien de veiligheidskap niet goed beweegt en niet snel over het zaagblad sluit. Klem of bind de veiligheidskap nooit in de geopende stand vast.
- 4. Zaag nooit met het werkstuk in uw hand.** Gebruik altijd de spanschroef om het werkstuk goed vast te zetten op het draaibaar voetstuk en tegen de geleider. Gebruik nooit uw hand om het werkstuk tijdens het zagen vast te houden.
- 5. Reik nooit in de nabijheid van het zaagblad.**
- 6. Schakel het gereedschap uit en wacht totdat het zaagblad volledig tot stilstand is gekomen alvorens het werkstuk te verwijderen of instellingen te veranderen.**
- 7. Trek de stekker uit het stopcontact alvorens het zaagblad te verwisselen of onderhoud aan het gereedschap uit te voeren.**
- 8. Zet altijd alle bewegende onderdelen vast alvorens het gereedschap te dragen.**
- 9. De aanslagpen die de zaagkop in de omlaagpositie vergrendelt, wordt alleen gebruikt voor het dragen en opbergen van het gereedschap en niet voor zaagbedieningen.**
- 10. Gebruik het gereedschap niet in de nabijheid van ontvlambare gassen of vloeistoffen.**
- 11. Controleer het zaagblad zorgvuldig op barsten of beschadiging, alvorens het gereedschap te gebruiken.**
Een gebarsten of beschadigd zaagblad dient onmiddellijk te worden vervangen.
- 12. Gebruik alleen flenzen die voor dit gereedschap zijn bestemd.**
- 13. Pas op dat u de as, de flenzen (vooral hun montagevlak) of de bout niet beschadigt.** Beschadiging van deze onderdelen kan zaagbladbreuk veroorzaken.
- 14. Zorg dat het draaibaar voetstuk goed vastgezet is, zodat het tijdens het zagen niet kan bewegen.**
- 15. Verwijder voor uw eigen veiligheid zaagafval, stukjes hout e.d. van de werktafel alvorens te gaan zagen.**
- 16. Vermijd het zagen op spijkers.** Inspecteer het werkstuk en verwijder alle eventuele spijkers alvorens met het zagen te beginnen.
- 17. Zet de asvergrendeling in de vrije stand alvorens de trekschakelaar in te drukken.**
- 18. Zorg ervoor dat het zaagblad in zijn laagste positie niet in aanraking komt met het draaibaar voetstuk.**
- 19. Houd het handvat stevig vast.** Denk eraan dat de zaag bij het starten en stoppen even op- en neergaat.
- 20. Zorg dat het zaagblad bij het inschakelen niet in contact is met het werkstuk.**
- 21. Laat het gereedschap een tijdje draaien alvorens het op het werkstuk te gebruiken.** Controleer op trillingen of schommelingen die op onjuiste installatie of op een slecht gebalanceerd zaagblad kunnen wijzen.
- 22. Wacht totdat het zaagblad op volle toeren draait, alvorens het werkstuk te zagen.**
- 23. Stop onmiddellijk met zagen indien u iets abnormaals opmerkt.**
- 24. Probeer niet om de trekschakelaar in de INGESCHAKELD positie te vergrendelen.**
- 25. Laat uw aandacht nooit verslappen, vooral niet wanneer het werk saai is en uit herhalingen bestaat.** Laat u niet door een vals gevoel van veiligheid misleiden, aangezien zaagbladen altijd uiterst gevaarlijk zijn.
- 26. Gebruik uitsluitend de accessoires die in deze gebruiksaanwijzing worden aanbevolen.** Het gebruik van ongeschikte accessoires, zoals slijpschijven, kan verwonding veroorzaken.
- 27. Gebruik de zaag niet voor het zagen van andere materialen dan aluminium, hout of soortgelijk materiaal.**
- 28. Sluit verstekzagen tijdens het zagen aan op een stofvanginrichting.**
- 29. Selecteer de zaagbladen in overeenstemming met het te zagen materiaal.**
- 30. Wees voorzichtig wanneer u gleuven zaagt.**
- 31. Vervang de zaagsnedeplaat wanneer deze versleten is.**
- 32. Gebruik geen zaagbladen die van sneldraaistaal zijn gemaakt.**

33. **Sommige stofafval van de zaagbediening bevat chemicaliën die kanker, geboortefwijkingen of andere voortplantingsdefecten kunnen veroorzaken. Een paar voorbeelden van deze chemicaliën zijn:**
- lood van materiaal dat met loodhoudende inkt is geverfd
 - arseen en chroom van chemisch behandeld timmerhout
- Het gevaar van blootstelling hangt af van hoe vaak u dit soort werk uitvoert. Om blootstelling aan deze chemicaliën tot een minimum te beperken, dient u in een goed geventileerde omgeving te werken en gebruik te maken van goedgekeurde veiligheidsapparatuur zoals stofmaskers die speciaal ontworpen zijn voor het filtreren van microscopische deeltjes.
34. **Zorg altijd dat het zaagblad scherp en schoon is om het voortgebrachte geluid tot een minimum te beperken.**
35. **De gebruiker dient volledig vertrouwd te zijn met het gebruik, de afstelling en de bediening van het gereedschap.**
36. **Gebruik juist aangescherpte zaagbladen. Neem altijd de maximale snelheid, die op het zaagblad is aangeduid, in acht.**
37. **Probeer niet om afgezaagde stukken of andere delen van het werkstuk uit het zaaggebied te verwijderen terwijl het gereedschap nog draait en de zaagkop niet in de uitgangspositie staat.**

BEWAAR DEZE VOORSCHRIFTEN.

INSTALLEREN

Op een werktafel monteren

Bij de verzending uit de fabriek is het handvat door middel van de aanslagpen in de omlaagpositie vergrendeld. Ontgrendel de aanslagpen door het handvat ietwat omlaag te drukken en aan de aanslagpen te trekken. (Fig. 1)

Dit gereedschap dient op een effen en stabiel oppervlak te worden gemonteerd door gebruik te maken van de boutgaten in de voet van het gereedschap. Hierdoor wordt voorkomen dat het gereedschap omkantelt en mogelijk verwondingen veroorzaakt. (Fig. 2)

Draai de stelbout naar rechts of naar links totdat deze met het vloeroppervlak in contact komt om het gereedschap stabiel te houden. (Fig. 3)

BESCHRIJVING VAN DE FUNCTIES

LET OP:

- Controleer altijd of het gereedschap is uitgeschakeld en zijn stekker uit het stopcontact is verwijderd alvorens de functies op het gereedschap te controleren of af te stellen.

Beschermkap (Fig. 4 en 5)

Voor alle niet-Europese landen

Wanneer het handvat omlaag wordt gebracht, gaat de veiligheidskap automatisch omhoog. De veiligheidskap is veerbelast zodat zij naar haar oorspronkelijke positie terugkeert wanneer het zagen voltooid is en het handvat wordt opgeheven. ZET DE VEILIGHEIDSKAP NOOIT VAST EN VERWIJDER NOOIT DE VEILIGHEIDSKAP OF DE VEER.

Voor uw persoonlijke veiligheid dient de veiligheidskap altijd in goede staat te worden gehouden. Elke onregelmatigheid in de werking van de beschermkap dient onmiddellijk te worden gerepareerd. Controleer of de veer goed werkt zodat de beschermkap goed terugkeert. GEBRUIK HET GEREEDSCHAP NOOIT WANNEER DE BESCHERMKAP OF DE VEER BESCHADIGD, DEFECT, OF VERWIJDERD ZIJN. DIT IS NAMELIJK BIJZONDER GEVAARLIJK EN KAN ERNSTIGE VERWONDINGEN VEROOZAKEN.

Voor Europese landen

Wanneer het handvat omlaag wordt gebracht, gaat beschermkap A automatisch omhoog. Beschermkap B gaat omhoog zodra deze het werkstuk raakt. De beschermkappen zijn veerbelast zodat zij naar hun oorspronkelijke positie terugkeren wanneer het zagen voltooid is en het handvat omhoog wordt gebracht. ZET DE BESCHERMKAPPEN NOOIT VAST EN VERWIJDER NOOIT DE BESCHERMKAPPEN OF DE VEREN DIE ERAAN ZIJN BEVESTIGD.

Voor uw persoonlijke veiligheid dient iedere beschermkap altijd in goede staat te worden gehouden. Elke onregelmatigheid in de werking van de beschermkappen dient onmiddellijk te worden gerepareerd. Controleer of de veren goed werken zodat de beschermkappen goed terugkeren. GEBRUIK HET GEREEDSCHAP NOOIT WANNEER DE BESCHERMKAPPEN OF DE VEREN BESCHADIGD, DEFECT, OF VERWIJDERD ZIJN. DIT IS NAMELIJK BIJZONDER GEVAARLIJK EN KAN ERNSTIGE PERSOONLIJK LETSEL VEROOZAKEN.

Als de transparante beschermkap vuil is of met zaagsel is bedekt zodat het zaagblad niet meer goed zichtbaar is, verwijder dan de stekker uit het stopcontact en maak de beschermkap met een bevochtigde doek goed schoon. Gebruik voor het reinigen van de plastic beschermkap nooit oplosmiddelen of benzinehoudende schoonmaakmiddelen.

Als de beschermkap erg vuil is zodat het zaagblad moeilijk te zien is, gebruik dan de bijgeleverde dopsleutel om de zeskante bout van de middenkap los te draaien. Draai de zeskante bout linksom los en breng de beschermkap en de middenkap omhoog. In deze positie kan de beschermkap grondiger en gemakkelijker worden schoongemaakt. Voer deze procedure in de omgekeerde volgorde uit en draai de bout weer vast nadat het schoonmaken is voltooid. Verwijder de veer van de beschermkap niet. Wanneer de beschermkap door ouderdom of blootstelling aan ultraviolet-licht verkleurd is geraakt, neem dan contact op met een Makita servicecentrum voor een nieuwe beschermkap. DE BESCHERMKAP NOOIT VASTZETTEN OF VERWIJDEREN.

Afstellen van de zaagsnedeplaten (Fig. 6 en 7)

Om scheuren op de uitlaatkant van een snede tot een minimum te beperken, is dit gereedschap voorzien van zaagsnedeplaten in de draaitafel. De zaagsnedeplaten zijn in de fabriek zodanig afgesteld dat het zaagblad niet met de zaagsnedeplaten in aanraking komt. Stel de zaagsnedeplaten als volgt af alvorens de zaag in gebruik te nemen:

Trek eerst de stekker uit het stopcontact. Draai alle schroeven (2 aan de linkerkant en 2 aan de rechterkant) waarmee de zaagsnedeplaten zijn vastgemaakt los. Trek de schroeven weer aan in zulke mate dat de zaagsnedeplaten nog gemakkelijk met de hand kunnen worden bewogen. Breng het handvat volledig omlaag en druk de aanslagpen naar binnen om het handvat in de omlaagpositie te vergrendelen. Draai de twee klemschroeven waarmee de sledestangen zijn vastgemaakt los. Trek de slede helemaal naar u toe. Stel de positie van de zaagsnedeplaten af zodat deze niet in aanraking komen met de zijkanalen van de zaagbladtanden. Trek de voorste schroeven aan (niet te hard aantrekken). Duw de slede zo ver mogelijk naar de geleider en stel de positie van de zaagsnedeplaten zodanig af dat deze niet in aanraking komen met de zijkanalen van de zaagbladtanden. Trek de achterste schroeven aan (niet te hard aantrekken).

Nadat de zaagsnedeplaten zijn afgesteld, ontgrendelt u de aanslagpen en brengt u het handvat omhoog. Trek vervolgens alle schroeven stevig aan.

LET OP:

- Stel de zaagsnedeplaten altijd op de bovenstaande manier af telkens voordat of nadat u de schuine hoek wijzigt.

Handhaven van de maximale zaagcapaciteit (Fig. 8 en 9)

Deze zaag is in de fabriek ingesteld voor het leveren van maximale zaagcapaciteit met een 190 mm zaagblad.

Wanneer u een nieuw zaagblad installeert, dient u altijd de laagste positie van het zaagblad te controleren en indien nodig als volgt af te stellen:

Trek eerst de stekker uit het stopcontact. Duw de slede zo ver mogelijk naar de geleider en breng het handvat volledig omlaag. Gebruik de dopsleutel en verdraai de stelbout totdat de omtrek van het zaagblad een beetje onder het bovenvlak van de draaitafel komt te zitten op het punt waar het voorvlak van de geleider in aanraking komt met het bovenvlak van de draaitafel.

Zorg dat de stekker uit het stopcontact is verwijderd en draai met de hand het zaagblad rond terwijl u het handvat volledig omlaag gedrukt houdt, en controleer of het zaagblad met geen enkel deel van het onderste voetstuk in aanraking komt. Stel opnieuw een beetje af, indien nodig.

LET OP:

- Na het installeren van een nieuw zaagblad, dient u altijd te controleren of het zaagblad met geen enkel deel van het onderste voetstuk in aanraking komt wanneer het handvat volledig omlaag is gebracht. Trek voor deze controle altijd de stekker van het gereedschap uit het stopcontact.

Aanslagarm (Fig. 10)

Met de aanslagarm kunt u de laagste positie van het zaagblad gemakkelijk instellen. Stel in door de aanslagarm in de richting van het pijltje te bewegen, zoals afgebeeld. Stel de stelschroef zodanig in dat het zaagblad bij de gewenste positie stopt wanneer het handvat volledig omlaag wordt gebracht.

Instellen van de verstekhoek (Fig. 11)

Draai de handgreep naar links los. Verdraai de draaitafel terwijl u de vergrendelknop ingedrukt houdt. Beweeg de handgreep naar de positie waar de wijzer de gewenste hoek op de verstekschaal aanwijst en draai dan de handgreep weer stevig naar rechts vast.

LET OP:

- Voor het verdraaien van de draaitafel dient u het handvat in de hoogste positie te plaatsen.
- Na het wijzigen van de verstekhoek, dient u de draaitafel altijd vast te zetten door de handgreep stevig vast te draaien.

Instellen van de schuine hoek (Fig. 12 en 13)

Om de schuine hoek in te stellen, draait u de hendel op de achterkant van het gereedschap naar links los.

Duw het handvat naar links om het zaagblad te kantelen totdat de wijzer naar de gewenste hoek op de schuinehoek schaal wijst. Draai daarna de hendel weer stevig naar rechts vast om de arm te vergrendelen.

Om het zaagblad naar rechts te kantelen, drukt u de vrijmakingsknop op de achterkant van het gereedschap in terwijl u het zaagblad ietwat naar links kantelt nadat de hendel is losgedraaid. Houd de vrijmakingsknop ingedrukt en kantel het zaagblad naar rechts.

LET OP:

- Voor het schuin zetten van het zaagblad dient u het handvat in de hoogste positie te plaatsen.
- Na het wijzigen van de schuine hoek, dient u altijd de arm vast te zetten door de hendel naar rechts vast te draaien.
- Wanneer u de schuine hoek wijzigt, dient u de zaagsnedeplaten in de juiste positie te zetten zoals beschreven in "Afstellen van de zaagsnedeplaten".

Afstellen van de hendelpositie (Fig. 14)

Indien de hendel niet stevig kan worden vastgedraaid, kunt u de positie ervan bij elke hoek met 30° afstellen.

Draai de bevestigingsschroef van de hendel op de achterkant van het gereedschap los en verwijder de schroef. Verwijder de hendel en installeer hem opnieuw zodat hij ietwat boven het niveau komt. Maak de hendel stevig vast met de schroef.

Werkung van de schakelaar

LET OP:

- Alvorens de stekker in een stopcontact te steken, moet u altijd controleren of de trekschakelaar goed werkt en bij het loslaten naar de "OFF" (uitgeschakeld) positie terugkeert.
- Verwijder de ontgrendelknop en bewaar hem op een veilige plaats wanneer u het gereedschap niet gebruikt. Hierdoor voorkomt u ongeoorloofd gebruik van het gereedschap.
- Druk de trekschakelaar niet hard in zonder dat de ontgrendelknop is ingedrukt. Hierdoor kan de schakelaar namelijk breken.

Voor Europese landen (Fig. 15)

Een ontgrendelknop is voorzien om te voorkomen dat de trekschakelaar per ongeluk wordt ingedrukt. Om het gereedschap te starten, duw de hendel naar links, druk de ontgrendelknop in, en druk vervolgens de trekschakelaar in. Laat de trekschakelaar los om het gereedschap te stoppen.

Voor alle niet-Europese landen (Fig. 16)

Een ontgrendelknop is voorzien om te voorkomen dat de trekschakelaar per ongeluk wordt ingedrukt. Om het gereedschap te starten, druk de ontgrendelknop in en druk vervolgens de trekschakelaar in. Laat de trekschakelaar los om het gereedschap te stoppen.

WAARSCHUWING:

- Gebruik het gereedschap NOOIT met een defecte trekshakelaar. Elk gereedschap met een defecte schakelaar is UITERST GEVAARLIJK en moet worden gerepareerd alvorens het verder wordt gebruikt.
- Voor uw veiligheid is dit gereedschap voorzien van een ontgrendelknop die ongewild starten van het gereedschap voorkomt. Gebruik het gereedschap NOOIT indien het gaat draaien wanneer u gewoon de trekshakelaar indrukt zonder de ontgrendelknop in te drukken. Breng het naar een Makita servicecentrum voor reparatie ALVORENS het verder te gebruiken.
- Zet de ontgrendelknop NOOIT vast met plakband en belemmer nooit het doel en de functie ervan.

Aanzetten van de lampen (Fig. 17)

Voor de modellen LS0714F, LS0714FL

LET OP:

- De lamp is niet waterdicht. Was de lamp niet in water en gebruik hem niet in de regen of in een natte omgeving. Dit kan namelijk een elektrische schok en uitwaseming veroorzaken.
- Raak de lens van de lamp niet aan, daar deze tijdens of onmiddellijk na het gebruik uiterst heet is en brandwonden kan veroorzaken.
- Stel de lamp niet bloot aan schokken of stoten, aangezien de lamp hierdoor beschadigd kan raken of minder lang zal meegaan.
- Richt de stralenbundel van de lamp niet langdurig naar uw ogen. Dit kan namelijk oogletsel veroorzaken.
- Bedek de brandende lamp niet met een doek, papier, karton of soortgelijke voorwerpen. Dit kan namelijk brand of ontbranding veroorzaken.

Druk op het bovenste gedeelte van de schakelaar om de lamp aan te zetten, en op het onderste gedeelte om de lamp uit te doen.

Beweeg de lamp om de gewenste plek te verlichten.

OPMERKING:

- Gebruik een droge doek om vuil op de lens van de lamp eraf te vegen. Pas op dat u geen krassen maakt op de lens, omdat de verlichtingssterkte hierdoor zal verminderen.

Werking van de laserstraal (Fig. 18 en 19)

Voor de modellen LS0714FL, LS0714L

LET OP:

- Kijk nooit in de laserstraal. Een directe laserstraal kan oogletsel veroorzaken.
- LASERSTRALING. KIJK NIET IN DE LASERSTRAAL EN GEBRUIK GEEN OPTISCHE INSTRUMENTEN OM ER RECHTSTREEKS NAAR TE KIJKEN. LASER-PRODUCT VAN KLASSE 2M.

Om de laser in te schakelen, drukt u op de bovenkant (I) van de schakelaar. Druk op de onderkant (O) om de laser uit te schakelen.

U kunt de laserlijn verplaatsen naar de linker- of rechterzijde van het zaagblad door de stelschroef als volgt in te stellen.

1. Draai de stelschroef naar links los.
2. Schuif de losgedraaide stelschroef zo ver mogelijk naar links of rechts.
3. Draai de stelschroef stevig vast bij de positie waar deze niet verder kan worden verschoven.

De laserlijn is in de fabriek zodanig ingesteld dat deze zich binnen 1 mm vanaf het zijvlak van het zaagblad (zaagpositie) bevindt.

OPMERKING:

- Wanneer de laserlijn duister is en moeilijk of helemaal niet zichtbaar is vanwege direct zonlicht in de werkplek binnenshuis of buitenshuis, dient u een andere werkplek die niet blootstaat aan direct zonlicht te kiezen.

Afstellen van de laserlijn (Fig. 20)

U kunt de laserlijn verplaatsen naar de linker- of rechterzijde van het zaagblad, afhankelijk van de zaagbewerking. Voor het verplaatsen van de laserlijn, zie de uitleg onder "Werking van de laserstraal".

OPMERKING:

- Plaats een houten hulpstuk tegen de geleider wanneer u de zaaglijn instelt met de laserlijn aan de zijkant van de geleider voor gecombineerd zagen (45° schuine hoek en 45° rechtse verstekhoek).
- A) Wanneer u de juiste afmeting krijgt aan de linkerzijde van het werkstuk
 - Verplaats de laserlijn naar de linkerzijde van het zaagblad.
 - B) Wanneer u de juiste afmeting krijgt aan de rechterzijde van het werkstuk
 - Verplaats de laserlijn naar de rechterzijde van het zaagblad.

Doe de zaaglijn op het werkstuk overeenkomen met de laserlijn.

INEENZETTEN

LET OP:

- Zorg altijd dat het gereedschap is uitgeschakeld en zijn stekker uit het stopcontact is verwijderd alvorens enig werk aan het gereedschap uit te voeren.

Opbergen van de dopsleutel (Fig. 21)

De dopsleutel wordt opgeborgen zoals afgebeeld. Trek de dopsleutel uit de sleutelhouder om hem te gebruiken. Berg hem na het gebruik weer op in de sleutelhouder.

Installeren of verwijderen van het zaagblad

LET OP:

- Zorg altijd dat het gereedschap is uitgeschakeld en zijn stekker uit het stopcontact is verwijderd alvorens het zaagblad te installeren of te verwijderen.
- Gebruik voor het installeren of verwijderen van het zaagblad uitsluitend de bijgeleverde Makita dopsleutel. Doet u dit niet, dan kan de zeskante bout te vast of te los worden aangedraaid. Dit kan leiden tot persoonlijke verwonding.

Druk de aanslagpen in om het handvat in de omhoogpositie te vergrendelen. (Fig. 22)

Om het zaagblad te verwijderen, gebruik de dopsleutel om de zeskante bout, die de middenkap op haar plaats houdt, naar links los te draaien. Breng de beschermkap en de middenkap omhoog. (Fig. 23)

Druk de asblokkering in om de as te vergrendelen en draai met de dopsleutel de zeskante bout naar rechts los. Verwijder vervolgens de zeskante bout, de buitenflens en het zaagblad. (Fig. 24)

Om het zaagblad te installeren, monteert u het zaagblad zorgvuldig op de as, ervoor zorgend dat de pijltjes op het zaagblad en op de zaagbladkast in dezelfde richting wijzen. Monteer de buitenflens en de zeskante bout, en draai met de dopsleutel de zeskante bout (linkse schroefdraad) stevig naar links vast terwijl u daarbij de asblokkering ingedrukt houdt.

Breng de beschermkap en de middenkap terug naar hun oorspronkelijke positie. Draai daarna de zeskante bout naar rechts vast om de middenkap vast te zetten. Trek de aanslagpen naar buiten om de omhoogpositie van het handvat te ontgrendelen. Breng het handvat omlaag om te controleren of de beschermkap goed beweegt. Zet de asblokkering in de vrije stand alvorens te gaan zagen. **(Fig. 25 en 26)**

Stofzak (accessoire) (Fig. 27)

Door de stofzak te gebruiken wordt het zaagsel opgevangen en kunt u schoon werken. Om de stofzak te bevestigen, monteert u hem op het verbindingstuk.

Wanneer de stofzak ongeveer halfvol is, maakt u hem los van het gereedschap en trekt u de sluitstrip eruit. Maak de stofzak leeg en tik er zachtjes op voor het verwijderen van achtergebleven stofdeeltjes die verdere stofopvanging zouden kunnen belemmeren.

OPMERKING:

U kunt doeltreffender en schoner werken door een Makita stofzuiger op het gereedschap aan te sluiten.

Zaagselopvangdoos (accessoire)

(Fig. 28, 29 en 30)

Bevestig de zaagselopvangdoos op de afzuigaansluitmond.

Maak de zaagselopvangdoos zo snel mogelijk na met werk leeg.

Om de zaagselopvangdoos leeg te maken, opent u de klep door op de knop te drukken en gooit u het zaagsel weg. Zet de klep terug in de oorspronkelijke stand zodat deze wordt vergrendeld. U kunt de zaagselopvangdoos eenvoudig verwijderen door deze vlakbij de afzuigaansluitmond te draaien en naar achteren van het gereedschap af te trekken.

OPMERKING:

- Als u een Makita-stofzuiger op het gereedschap aansluit, kunt u nog efficiënter en schoner werken.

LET OP:

- Maak de zaagselopvangdoos leeg voordat het verzaamelde zaagsel in de cilinder komt.

Vastzetten van het werkstuk (Fig. 31)

WAARSCHUWING:

- Het is uiterst belangrijk dat u het werkstuk altijd juist en stevig vastzet met behulp van de spanschroef. Als u dit niet doet, kan het gereedschap beschadiging oplopen en/of het werkstuk worden vernield. OOK PERSOONLIJK LETSEL KAN HET GEVOLG ZIJN. Nadat het zagen is voltooid, mag u de zaag NIET omhoogbrengen voordat het zaagblad volledig tot stilstand is gekomen.

LET OP:

- Bij het zagen van lange werkstukken moet u steunen gebruiken die even hoog zijn als het bovenzvlak van de draaitafel. Verlaat u niet alleen op de verticale en/of horizontale spanschroef om het werkstuk op zijn plaats te houden.

Dun materiaal hangt gemakkelijk door. Ondersteun het werkstuk over zijn hele lengte om vastklemmen van het zaagblad en mogelijke TERUGSLAG te voorkomen.

Verticale spanschroef (Fig. 32)

De verticale spanschroef kan in twee posities, aan de linkerzijde of rechterzijde van de geleider of de houdermontage (los verkrijgbaar accessoire), worden geïnstalleerd. Steek de stang van de spanschroef in het gat in de geleider of houdermontage en trek de schroef aan om de stang vast te zetten.

Zet de arm van de spanschroef in de positie die geschikt is voor de dikte en vorm van het werkstuk, en zet de arm vast door de schroef vast te draaien. Indien de bevestigingsschroef van de arm in aanraking komt met de geleider, moet u de schroef op de tegenovergestelde zijde van de arm monteren. Controleer of geen enkel deel van het gereedschap in aanraking komt met de spanschroef wanneer het handvat volledig omlaag wordt gebracht en de zaagslede zo ver mogelijk wordt getrokken of geduwd. Indien dit wel het geval is, moet u de positie van de spanschroef veranderen.

Druk het werkstuk vlak tegen de geleider en de draaitafel. Plaats het werkstuk in de gewenste zaagpositie en zet het stevig vast door de knop van de spanschroef vast te draaien.

LET OP:

- Tijdens alle bedieningen moet het werkstuk door de spanschroef stevig tegen de draaitafel en de geleider worden gedrukt.

Horizontale spanschroef (los verkrijgbaar accessoire) (Fig. 33)

De horizontale spanschroef kan aan de linkerzijde van de gereedschapsvoet worden geïnstalleerd. Door de knop van de spanschroef naar links te draaien wordt de spanschroef in de vrije stand gezet en kunt u de spanschroefas snel naar binnen en naar buiten bewegen. Door de knop van de spanschroef naar rechts te draaien wordt de spanschroef vastgezet. Om het werkstuk te grijpen, draait u de knop van de spanschroef langzaam naar rechts totdat het uitsteeksel zijn hoogste positie bereikt, en daarna draait u de knop stevig vast. Indien de spanschroefknop naar binnen of naar buiten wordt getrokken terwijl u hem naar rechts draait, kan het uitsteeksel in een schuine positie stoppen. In dit geval draait u de spanschroefknop terug naar links totdat de spanschroef los komt, en dan draait u hem weer langzaam naar rechts.

De maximale breedte van werkstukken die met de horizontale spanschroef kunnen worden vastgezet is 120 mm.

LET OP:

- Grijp het werkstuk alleen wanneer het uitsteeksel in zijn hoogste positie staat. Als u dit niet doet, zal het werkstuk mogelijk niet goed vastgezet zijn. Het werkstuk kan dan weggeslingerd worden, hetgeen beschadiging van het zaagblad, verlies van controle over het gereedschap en mogelijke PERSOONLIJKE VERWONDING kan veroorzaken.

Houders en houdermontage (los verkrijgbare accessoires) (Fig. 34 en 35)

U kunt de houders en de houdermontage aan beide zijden van het gereedschap aanbrengen om de werkstukken horizontaal te ondersteunen. Installeer deze accessoires zoals afgebeeld. Draai daarna de schroeven goed vast om de houders en de houdermontage vast te zetten.

Gebruik de houder/stang montage (los verkrijgbaar accessoire) voor het zagen van lange werkstukken. Deze bestaat uit twee houdermontages en twee stangen 12.

LET OP:

- Ondersteun lange werkstukken altijd op gelijke hoogte met het bovenvlak van de draaitafel, om nauwkeurige zaagsneden te krijgen en gevaarlijk controleverlies over het gereedschap te voorkomen.

BEDIENING

LET OP:

- Voordat u het gereedschap inschakelt, dient u het handvat uit zijn omlaagpositie te halen door de aanslagpen naar buiten te trekken.
- Zorg dat het zaagblad niet in aanraking is met het werkstuk e.d. voordat u de trekschakelaar indrukt.
- Oefen tijdens het zagen geen overmatige druk op het handvat uit. Wanneer u te hard drukt, kan de motor overbelast raken en/of de zaagcapaciteit verminderen. Druk alleen zo hard als nodig is voor soepel zagen zonder dat de draaisnelheid van het zaagblad aanzienlijk vermindert.
- Druk het handvat zachtjes naar beneden om te zagen. Indien het handvat met geweld omlaag wordt gedrukt of zijwaartse druk erop wordt uitgeoefend, zal het zaagblad trillen en een merkteken (zaagteken) in het werkstuk achterlaten, en zal ook de zaagsnede minder nauwkeurig zijn.
- Voor glijdend zagen duwt u de zaagslede langzaam en zonder te stoppen naar de geleider. Als de slede tijdens het zagen wordt gestopt, zal een merkteken in het werkstuk achterblijven en zal de zaagsnede minder nauwkeurig zijn.

1. Drukkend zagen (zagen van kleine werkstukken) (Fig. 36)

Werkstukken die maximaal 50 mm hoog en 97 mm breed zijn kunt u als volgt zagen.

Duw de slede zo ver mogelijk naar de geleider en zet de slede vast door de twee klemschroeven van de sledestangen naar rechts vast te draaien. Zet het werkstuk vast met de spanschroef. Schakel het gereedschap in zonder dat het zaagblad met het werkstuk in contact is, en wacht totdat het zaagblad op volle toeren draait. Breng dan het handvat langzaam omlaag naar de laagste positie om het werkstuk te zagen. Nadat het zagen is voltooid, schakelt u het gereedschap uit. **WACHT TOTDAT HET ZAAGBLAD VOLLEDIG TOT STILSTAND IS GEKOMEN** alvorens het zaagblad naar zijn hoogste positie terug te brengen.

LET OP:

- Draai de twee klemschroeven van de sledestangen stevig naar rechts vast zodat de slede tijdens het zagen niet kan bewegen. Als deze schroeven niet goed vastzitten, kan het zaagblad onverwachts terugslaan, hetgeen ernstige **PERSOONLIJKE VERWONDING** kan veroorzaken.

2. Glijdend (duwend) zagen (zagen van brede werkstukken) (Fig. 37)

Draai de twee klemschroeven van de sledestangen naar links los zodat de slede vrij kan bewegen. Zet het werkstuk vast met de spanschroef. Trek de slede zo ver mogelijk naar u toe. Schakel het gereedschap in zonder dat het zaagblad met het werkstuk in contact is, en wacht totdat het zaagblad op volle toeren draait. Druk het handvat omlaag en DUW DE SLEDE NAAR DE GELEIDER OM HET WERKSTUK TE ZAGEN. Nadat het zagen is voltooid, schakelt u het gereedschap uit. **WACHT TOTDAT HET ZAAGBLAD VOLLEDIG TOT STILSTAND IS GEKOMEN** alvorens het zaagblad naar zijn hoogste positie terug te brengen.

LET OP:

- Voor glijdend zagen DIENT U EERST DE SLEDE ZO VER MOGELIJK NAAR U TOE TE TREKKEN. Druk dan het handvat omlaag tot in de laagste positie en DUW DE SLEDE NAAR DE GELEIDER TOE. **BEGIN NOOIT MET ZAGEN WANNEER DE SLEDE NIET VOLLEDIG NAAR U TOE IS GETROKKEN.** Als u de slede niet zo ver mogelijk naar u toe trekt of zaagt naar uw richting toe, kan het zaagblad onverwachts worden teruggeslagen, hetgeen ernstige **PERSOONLIJKE VERWONDING** kan veroorzaken.
- Glijdend zagen mag nooit worden uitgevoerd wanneer het handvat in de laagste positie is uitgerekend door het indrukken van de aanslagpen.
- Draai de klemschroef van de slede nooit los terwijl het zaagblad draait. Dit kan leiden tot ernstige verwonding.

3. Verstekzagen

Zie het gedeelte "Instellen van de verstekhoek" hierboven.

4. Schuine sneden zagen (Fig. 38)

Draai de hendel los en zet het zaagblad schuin om de schuine hoek in te stellen (zie "Instellen van de schuine hoek" hierboven). Draai daarna de hendel weer stevig vast om de gekozen schuine hoek goed vast te houden. Zet het werkstuk vast met een spanschroef. Zorg dat de slede volledig naar u toe is getrokken. Schakel het gereedschap in zonder dat het zaagblad met het werkstuk in contact is en wacht totdat het zaagblad op volle toeren draait. Breng dan het handvat langzaam omlaag naar de laagste positie door druk uit te oefenen evenwijdig met het zaagblad en DUW DE SLEDE NAAR DE GELEIDER OM HET WERKSTUK TE ZAGEN. Nadat het zagen is voltooid, schakelt u het gereedschap uit. **WACHT TOTDAT HET ZAAGBLAD VOLLEDIG TOT STILSTAND IS GEKOMEN** alvorens het zaagblad naar zijn hoogste positie terug te brengen.

LET OP:

- Controleer tijdens het zagen van schuine sneden altijd of het zaagblad in schuine richting naar beneden beweegt. Houd uw handen uit de buurt van het zaagblad.
- Tijdens het zagen van schuine sneden kan het gebeuren dat het afgezaagde stuk tegen de zijkant van het zaagblad komt te liggen. Indien het zaagblad omhoog wordt gebracht terwijl het nog draait, kan dit stuk door het draaiende zaagblad worden gegrepen zodat brokstukken in het rond worden geslingerd, hetgeen natuurlijk gevaarlijk is. Breng daarom het zaagblad omhoog **ALLEEN** nadat het volledig tot stilstand is gekomen.

- Wanneer u het handvat omlaag drukt, dient u druk uit te oefenen evenwijdig met het zaagblad. Indien de druk tijdens het zagen niet evenwijdig is met het zaagblad, kan de hoek van het zaagblad verschuiven zodat de zaagsnede minder nauwkeurig zal zijn.

5. Gecombineerd zagen

Gecombineerd zagen betekent dat het werkstuk tegelijk met een schuine hoek en een verstekhoek wordt gezaagd. Gecombineerd zagen is mogelijk voor de hoeken aangegeven in de onderstaande tabel.

Verstekhoek	Schuine hoek
Links en Rechts 45°	Links 0° – 45°
Rechts 50°	Links 0° – 40°
Rechts 55°	Links 0° – 30°
Rechts 57°	Links 0° – 25°

Voor de bedieningen voor gecombineerd zagen, zie de beschrijvingen onder “Drukkend zagen”, “Glijdend (duwend) zagen”, “Verstekzagen”, en “Schuine sneden zagen”.

6. Zagen van aluminium werkstukken (Fig. 39)

Gebruik vulblokken of afgedankte blokstukken voor het vastzetten van aluminium werkstukken, zoals afgebeeld, om vervorming van de aluminium te voorkomen. Gebruik voor het zagen ook zaagolie, om te voorkomen dat aluminium zaagsel zich op het zaagblad vastzet.

LET OP:

- Probeer nooit om dikke of ronde aluminium werkstukken te zagen. Dikke aluminium werkstukken kunnen tijdens het zagen los komen, terwijl ronde aluminium werkstukken op dit gereedschap niet goed kunnen worden vastgezet.

7. Houten hulpstuk (Fig. 40)

Het gebruik van een houten hulpstuk helpt om splinter-vrije sneden te krijgen. Gebruik de gaten in de geleider om een houten hulpstuk aan de geleider te bevestigen. Zie de afbeelding voor de afmetingen van een dergelijk houten hulpstuk.

LET OP:

- Gebruik als houten hulpstuk een recht stuk hout van gelijke dikte.
- Gebruik schroeven om het houten hulpstuk aan de geleider te bevestigen. Zorg dat de schroefkoppen niet uit het bovenvlak van het houten hulpstuk steken.
- Draai de draaitafel na het bevestigen van het houten hulpstuk niet met het handvat in de omlaagpositie. Als u dit doet, kan het zaagblad en/of het houten hulpstuk worden beschadigd.

8. Stukken van gelijke lengte zagen (Fig. 41)

Wanneer u verschillende stukken van dezelfde lengte tussen 220 mm en 385 mm wilt zagen, kunt u gemakkelijker werken door de stelplaat (los verkrijgbaar accessoire) te gebruiken. Monteer de stelplaat op de houder (los verkrijgbaar accessoire) zoals afgebeeld.

Breng de zaaglijn op uw werkstuk op één lijn met de linkerzijde of de rechterzijde van de groef in de zaagsnedeplaat. Houd het werkstuk vast zodat het niet kan bewegen, en plaats de stelplaat vlak tegen het einde van het werkstuk. Zet daarna de stelplaat vast met de schroef. Wanneer u de stelplaat niet gebruikt, draait u de schroef los en draait u de stelplaat uit de weg.

OPMERKING:

- Door de houder/stang montage (los verkrijgbaar accessoire) te gebruiken kunt u stukken van dezelfde lengte van ongeveer maximaal 2 200 mm zagen.

9. Groeven zagen (Fig. 42)

Sokkel-type zaagsneden kunnen als volgt worden gemaakt:

Stel de laagste positie van het zaagblad in met behulp van de stelschroef en de aanslagarm, om de zaagdiepte van het zaagblad te beperken. Zie “Aanslagarm” hierboven.

Nadat de laagste positie van het zaagblad is ingesteld, kunt u evenwijdige groeven over de breedte van het werkstuk zagen door gebruik te maken van de methode voor glijdend (duwend) zagen, zoals afgebeeld. Verwijder daarna het werkstukmateriaal tussen de groeven met behulp van een beitel. Probeer niet om dit soort zaagsnede uit te voeren door gebruik te maken van een breed (dik) zaagblad of een dado-zaagblad. Deze kunnen controleverlies en verwonding veroorzaken.

LET OP:

- Breng de aanslagarm terug naar zijn oorspronkelijke positie voor andere zaagbedieningen dan het zagen van groeven.

Het gereedschap dragen (Fig. 43 en 44)

Zorg dat de stekker uit het stopcontact is getrokken. Zet het zaagblad vast op de 0° schuine hoek en zet de draaitafel vast op de maximale rechtse verstekhoek. Trek de slede volledig naar de geleider en zet de sledestangen vast. Breng het handvat volledig omlaag en vergrendel het in de laagste positie door de aanslagen naar binnen te duwen.

Draag het gereedschap door beide zijden van de gereedschapsvoet vast te houden, zoals afgebeeld. Het gereedschap is gemakkelijker om dragen wanneer u de houders, stofzak, enz., ervan verwijdert.

LET OP:

- Zet altijd alle bewegende onderdelen vast alvorens het gereedschap te dragen.
- De aanslagen dient alleen voor het dragen en opbergen van het gereedschap, en niet voor zaagbedieningen.

ONDERHOUD

LET OP:

- Zorg altijd dat het gereedschap is uitgeschakeld en zijn stekker uit het stopcontact is verwijderd alvorens te beginnen met inspectie of onderhoud.

WAARSCHUWING:

- Zorg altijd dat het zaagblad scherp en schoon is om optimale en veilige prestaties te krijgen.

Afstellen van de zaaghoek

Dit gereedschap werd in de fabriek nauwkeurig afgesteld en uitgelijnd, maar door ruwe behandeling kan de uitlijning ervan verslechterd zijn. Doe het volgende indien uw gereedschap niet meer juist is uitgelijnd:

1. Verstekhoek

Duw de slede naar de geleider toe en draai twee klem-schroeven vast om de slede vast te zetten.

Draai de handgreep los om de draaitafel los te maken. Draai de draaitafel zodat de wijzer wijst naar 0° op de verstekschaal. Draai daarna de draaitafel een beetje naar rechts en naar links zodat hij in de 0° verstek-inkeping komt te zitten. (Laat de draaitafel zoals hij is indien de wijzer niet naar 0° wijst.) Draai de zeskante bouten van de geleider los met de dopsleutel. (Fig. 45)

Breng het handvat volledig omlaag en vergrendel het in de laagste positie door de aanslagpen in te drukken. Gebruik een driehoeksliniaal of een winkelhaak e.d. om de zijde van het zaagblad haaks te zetten ten opzichte van het vlak van de geleider. Draai vervolgens de zes-kante bouten op de geleider stevig vast, beginnend vanaf de rechterzijde. (Fig. 46)

Controleer of de wijzer wijst naar 0° op de verstekschaal. Indien de wijzer niet naar 0° wijst, draait u de bevestigingsschroef van de wijzer los en stelt u de wijzer juist in zodat hij naar 0° wijst. (Fig. 47)

2. Schuine hoek

1. 0° schuine hoek

Duw de slede naar de geleider toe en draai twee klem-schroeven vast om de slede vast te zetten. Breng het handvat volledig omlaag en vergrendel het in de laagste positie door de aanslagpen in te drukken. Draai de hendel op de achterkant van het gereedschap los.

Draai de 0° schuine-hoek stelbout (onderste bout) op de rechterzijde van de arm twee of drie slagen naar links om het zaagblad naar rechts te doen hellen. (Fig. 48)

Zet de zijde van het zaagblad haaks ten opzichte van het bovenvlak van de draaitafel door de 0° schuine-hoek stelbout voorzichtig naar rechts te draaien; gebruik hiervoor een driehoeksliniaal, een winkelhaak, e.d. Draai vervolgens de hendel stevig vast. (Fig. 49)

Controleer of de wijzer op de arm wijst naar 0° op de schuine-hoek schaal op de armhouder. Indien niet, draai dan de bevestigingsschroef van de wijzer los en verstel de wijzer zodat hij naar 0° wijst. (Fig. 50)

2. 45° schuine hoek

Stel de 45° schuine hoek pas in nadat de 0° schuine hoek is ingesteld. Voor het instellen van de linkse 45° schuine hoek, draait u de hendel los en doet u het zaagblad volledig naar links hellen. Controleer of de wijzer op de arm wijst naar 45° op de schuine-hoek schaal op de armhouder. Indien niet, dan draait u de 45° schuine-hoek stelbout (bovenste bout) op de rechterzijde van de arm totdat de wijzer naar 45° wijst. (Fig. 51)

Afstellen van de positie van de laserlijn (Fig. 52 en 53)

Voor de modellen LS0714FL, LS0714L

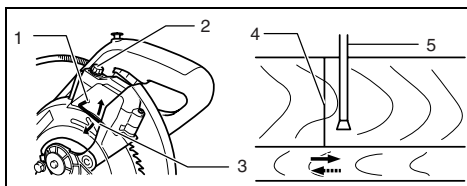
WAARSCHUWING:

- Bij het afstellen van de laserlijn is het gereedschap op het stopcontact aangesloten. Let daarom goed op dat u de trekschakelaar niet indrukt. Bij toevallig indrukken van de trekschakelaar zal de zaag beginnen draaien en kan de gebruiker verwondingen oplopen.

LET OP:

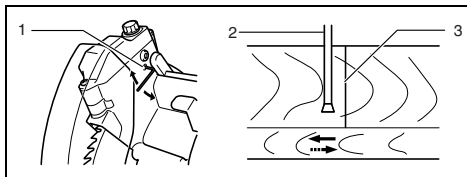
- Kijk nooit direct in de laserstraal. Een directe laserstraal kan oogletsel veroorzaken.
- Stel het gereedschap nooit bloot aan stoten of schokken. Stoten of schokken kunnen leiden tot een onjuiste positie van de laserlijn. Bovendien kan de laserstraal-zender hierdoor beschadigd raken en zal het gereedschap minder lang meegaan.
- Laat het gereedschap repareren door een erkend Makita-servicecentrum bij ieder defect van de lasereenheid. De lasereenheid mag niet worden vervangen door een ander type laser.

Afstellen van de laserlijn aan de linkerzijde van het zaagblad



- 1 Schroef voor verandering van het verplaatsingsbereik van de stelschroef
- 2 Stelschroef
- 3 Inbussleutel
- 4 Laserlijn
- 5 Zaagblad

Afstellen van de laserlijn aan de rechterzijde van het zaagblad



- 1 Schroef voor verandering van het verplaatsingsbereik van de stelschroef
- 2 Zaagblad
- 3 Laserlijn

Voer beide afstellingen als volgt uit.

1. Haal de stekker van het gereedschap uit het stopcontact.
2. Teken de zaaglijn op het werkstuk en plaats het werkstuk op de draaitafel. Zet het werkstuk voorlopig niet vast met een spanschroef of een soortgelijk bevestigingsmiddel.
3. Breng het zaagblad omlaag door het handvat omlaag te brengen en controleer de positie van het zaagblad in vergelijking met de zaaglijn. (Bepaal de te zagen positie op de zaaglijn.)

4. Nadat de te zagen positie is bepaald, brengt u het handvat terug naar de oorspronkelijke positie. Zet nu het werkstuk vast met de verticale spanschroef zonder daarbij het werkstuk te verschuiven uit de eerder gecontroleerde positie.
5. Steek de stekker in het stopcontact en zet de laser-schakelaar aan.
6. Stel de positie van de laserlijn als volgt af.

De positie van de laserlijn verandert wanneer u het verplaatsingsbereik van de stelschroef voor de laser verandert door twee schroeven te draaien met een inbusleutel. (Het verplaatsingsbereik van de laserlijn is in de fabriek ingesteld binnen 1 mm vanaf het zijvlak van het zaagblad.)

Om het verplaatsingsbereik van de laserlijn verder weg van het zijvlak van het zaagblad in te stellen, draait u de stelschroef los en vervolgens draait u de twee schroeven naar links. Draai de stelschroef los en draai de twee schroeven naar rechts om het verplaatsingsbereik dichterbij het zijvlak van het zaagblad in te stellen. Zie het gedeelte "Werking van de laserstraal" hierboven en stel de stelschroef zodanig in dat de zaaglijn op het werkstuk precies overeenkomt met de laserlijn.

OPMERKING:

- Controleer regelmatig of de positie van de laserlijn nauwkeurig is.
- In geval van een defect in de laserinrichting dient u het gereedschap door een erkend Makita servicecentrum te laten repareren.

Vervanging van de TL-buis (Fig. 54)

Alleen voor de modellen LS0714F, LS0714FL

LET OP:

- Zorg altijd dat het gereedschap is uitgeschakeld en zijn stekker uit het stopcontact is verwijderd alvorens de TL-buis te vervangen.
- Bescherm de TL-buis tegen stoten, krassen of schokken waardoor het glas van de TL-buis zou kunnen breken met mogelijke verwonding van uzelf of omstanders als gevolg.
- Laat de TL-buis na het gebruik een tijdje afkoelen alvorens deze te vervangen. De buis is dan namelijk nog heet en kan brandwonden veroorzaken.

Verwijder de schroeven van de lampkast.

Trek de lampkast eruit terwijl u lichtjes blijft drukken op het bovenste gedeelte ervan, zoals afgebeeld.

Trek de TL-buis eruit en vervang deze door een nieuwe originele Makita TL-buis.

Reinigen van de laserstraallens (Fig. 55 en 56)

Voor de modellen LS0714FL, LS0714L

Als de laserstraallens vuil is of met zaagsel is bedekt zodat de laserlijn niet meer goed zichtbaar is, verwijder dan de stekker uit het stopcontact en reinig de laserstraallens voorzichtig met een bevochtigde, zachte doek. Gebruik nooit oplosmiddelen of benzinehoudende schoonmaakmiddelen op de lens.

Om de laserstraallens te verwijderen, verwijdert u eerst het zaagblad volgens de aanwijzingen onder "Installeren of verwijderen van het zaagblad" en daarna verwijdert u de lens.

Draai met een schroevendraaier de bevestigingsschroef van de lens los zonder de schroef te verwijderen.

Trek de lens eruit zoals afgebeeld.

OPMERKING:

- Als de lens niet eruit komt, draai dan de schroef iets verder los zonder deze te verwijderen en probeer opnieuw om de lens eruit te trekken.

Vervangen van de koolborstels (Fig. 57 en 58)

Verwijder en controleer regelmatig de koolborstels. Vervang de koolborstels wanneer deze tot aan de limietmerkstreef versleten zijn. Houd de koolborstels schoon zodat ze vlot in hun houders glijden. Beide koolborstels dienen tegelijkertijd te worden vervangen. Gebruik uitsluitend identieke koolborstels.

Gebruik een schroevendraaier om de koolborsteldoppen te verwijderen. Haal de versleten koolborstels eruit, schuif de nieuwe erin, en zet de koolborsteldoppen goed vast.

Na het gebruik

- Veeg na gebruik alle zaagsel en stof op het gereedschap eraf met een doek of iets dergelijks. Houd de veiligheidskap schoon volgens de instructies die in de paragraaf "Beschermkap" werden beschreven. Smeer de glijdende onderdelen in met machine-olie om roestvorming te voorkomen.
- Wanneer u de machine opbergt, moet u de slede zo ver mogelijk naar u toe trekken zodat de glijstangen helemaal in het draaibaar voetstuk komen te zitten.

Om de VEILIGHEID en BETROUWBAARHEID van het gereedschap te handhaven, dienen alle reparaties, onderhoud of afstellingen te worden uitgevoerd bij een erkend Makita servicecentrum, en altijd met gebruik van Makita vervangingsonderdelen.

ACCESSOIRES

LET OP:

- Deze accessoires of hulpstukken worden aanbevolen voor gebruik met het Makita gereedschap dat in deze gebruiksaanwijzing is beschreven. Bij gebruik van andere accessoires of hulpstukken bestaat er gevaar voor persoonlijke verwonding. Gebruik de accessoires of hulpstukken uitsluitend voor hun bestemd doel.

Wenst u meer bijzonderheden over deze accessoires, neem dan contact op met het plaatselijke Makita servicecentrum.

- Hardmetalen zaagbladen
- Spanschroefmontage (Horizontale spanschroef)
- Verticale spanschroef
- Dopsleutel 10
- Houderstet
- Houdermontage
- Houder/stang montage
- Stelplaat
- Stofzak
- Driehoekslijnaal
- Ontgrendelknop (2 stuks)
- TL-buis
- Inbusleutel

Explicación de los dibujos

1 Pasador de retención	33 Portatubos	62 Extrusión de aluminio
2 Perno	34 Cubierta central	63 Más de 15 mm
3 Perno de ajuste	35 Llave de tubo	64 Más de 420 mm
4 Protector de disco A	36 Perno hexagonal	65 Agujeros
5 Tornillo de apriete manual	37 Cubierta de seguridad	66 Placa de presión
6 Placa de corte	38 Bloqueo del eje	67 Corte ranuras con el disco
7 Disco de sierra	39 Flecha	68 Escuadra
8 Dientes del disco	40 Caja del disco	69 Soporte de brazo
9 Corte en bisel izquierdo	41 Perno hexagonal (rosca hacia la izquierda)	70 Perno de ajuste del ángulo de bisel a 0 grados
10 Corte recto	42 Brida exterior	71 Perno de ajuste del ángulo de bisel a 45 grados a la izquierda
11 Base giratoria	43 Brida interior	72 Pieza de trabajo
12 Guía lateral	44 Eje	73 Línea de corte
13 Parte superior de la mesa giratoria	45 Bolsa de polvo	74 Mordaza vertical
14 Periferia del disco	46 Boquilla de polvo	75 Sacar
15 Tornillo de ajuste	47 Cierre	76 Empujar
16 Brazo de retención	48 Apoyo	77 Caja de la lámpara
17 Palanca de bloqueo	49 Brazo de la mordaza	78 Tornillos
18 Escala de inglete	50 Barra de la mordaza	79 Tubo fluorescente
19 Puntero	51 Soporte	80 Destornillador
20 Mango	52 Conjunto de soporte (accesorio opcional)	81 Tornillo (una pieza solamente)
21 Palanca	53 Pomo de la mordaza	82 Lente de la luz láser
22 Botón de liberación	54 Proyección	83 Marca límite
23 Escala de bisel	55 Eje de la mordaza	84 Tapón portaescobillas
24 Brazo	56 Base	85 Protector de disco B (Para países europeos)
25 Tornillo	57 Barra de 12	86 Caja de polvo
26 Botón de desbloqueo	58 Dos tornillos de fijación que sujetan la barra deslizabile	87 Cubierta
27 Gatillo interruptor	59 Dos tornillos de fijación que sujetan la barra deslizabile	88 Botón
28 Empuñadura	60 Mordaza	89 Parte del cilindro
29 Luz	61 Bloque espaciador	90 Serrín
30 Interruptor de la luz		91 Protector de disco
31 Interruptor para láser		
32 Portallaves		

ESPECIFICACIONES

Modelo

LS0714/LS0714F/LS0714FL/LS0714L

Diámetro del disco.....	190 mm
Diámetro del agujero (eje).....	20 mm
Ángulo de inglete máximo.....	Izquierda 47°, Derecha 57°
Ángulo de bisel máximo.....	Izquierda 45°, Derecha 5°

Capacidades de corte máximas (Al x An) con disco de 190 mm de diámetro.

Ángulo de inglete	Ángulo de bisel		
	45° (izquierda)	0°	5° (derecha)
0°	*45 mm x 265 mm (Nota 1)	*60 mm x 265 mm (Nota 1)	—
	40 mm x 300 mm	52 mm x 300 mm	40 mm x 300 mm
45° (izquierda y derecha)	*45 mm x 185 mm (Nota 2)	*60 mm x 185 mm (Nota 2)	—
	40 mm x 212 mm	52 mm x 212 mm	—
57° (derecha)	—	*60 mm x 145 mm (Nota 3)	—
		52 mm x 163 mm	

(Nota)

La marca * indica que se utiliza una guarnición de madera del grosor siguiente.

1: Cuando se utilice una guarnición de madera de 20 mm de grosor.

2: Cuando se utilice una guarnición de madera de 15 mm de grosor.

3: Cuando se utilice una guarnición de madera de 10 mm de grosor.

Velocidad en vacío (min⁻¹)..... 6.000

Tipo de láser (LS0714FL/L)..... Láser rojo de 650 nm, <1mW (Láser Clase 2)

Dimensiones (L x A x A) 670 mm x 430 mm x 458 mm

Peso neto LS0714: 13,1 kg, LS0714F: 13,4 kg, LS0714FL: 13,7 kg, LS0714L: 13,5 kg

- Debido a un programa continuo de investigación y desarrollo, las especificaciones aquí dadas están sujetas a cambios sin previo aviso.
- Las especificaciones pueden ser diferentes de país a país.
- Peso de acuerdo con el procedimiento EPTA 01/2003

Uso previsto

La herramienta ha sido prevista para hacer cortes precisos rectos y de inglete en madera. Con discos de sierra apropiados, también se puede serrar aluminio.

Alimentación

La herramienta ha de conectarse solamente a una fuente de alimentación de la misma tensión que la indicada en la placa de características, y sólo puede funcionar con corriente alterna monofásica. El sistema de doble aislamiento de la herramienta cumple con la norma europea y puede, por lo tanto, usarse también en enchufes hembra sin conductor de tierra.

Sugerencias de seguridad

Para su propia seguridad, consulte las instrucciones de seguridad incluidas.

NORMAS DE SEGURIDAD ADICIONALES PARA LA HERRAMIENTA

ENB034-3

1. Utilice protección para los ojos.
2. Mantenga las manos apartadas del recorrido del disco de sierra. Evite el contacto con cualquier disco cuando esté girando por inercia. Incluso entonces puede causar heridas graves.
3. No utilice la sierra sin los protectores puestos. Compruebe que el protector del disco se cierra debidamente antes de cada uso. No utilice la sierra si el protector del disco no se mueve libremente y se cierra instantáneamente. No sujete ni ate nunca el protector del disco en la posición abierta.
4. No realice ninguna operación sin sujetar la pieza de trabajo. La pieza de trabajo deberá estar sujeta firmemente contra la base giratoria y la guía lateral con la mordaza durante todas las operaciones. No utilice nunca su mano para sujetar la pieza de trabajo.
5. No se acerque nunca alrededor del disco de sierra.
6. Apague la herramienta y espere hasta que el disco de sierra se haya parado antes de mover la pieza de trabajo o de cambiar los ajustes.
7. Desenchufe la herramienta antes de cambiar el disco o hacerle el mantenimiento.
8. Sujete siempre todas las partes móviles antes de transportar la herramienta.
9. El pasador de tope que bloquea el cabezal de corte en posición bajada es solamente para transportar y almacenar la herramienta y no para ninguna operación de corte.
10. No utilice la herramienta donde haya líquidos o gases inflamables.
11. Inspeccione cuidadosamente el disco antes de la operación para ver si tiene grietas o está dañado. Sustituya inmediatamente el disco si está agrietado o dañado.
12. Utilice solamente las bridas especificadas para esta herramienta.
13. Tenga cuidado de no dañar el eje, las bridas (en especial la superficie de instalación) o el perno. Si estas piezas resultan dañadas se podrá romper el disco.
14. Asegúrese de que la base giratoria esté debidamente sujeta de forma que no se mueva durante la operación.
15. Por su propia seguridad, antes de iniciar la operación quite las virutas, pequeños trozos de material, etc. de la superficie superior de la mesa.
16. Evite cortar clavos. Antes de iniciar la operación, inspeccione y extraiga todos los clavos que haya en la pieza de trabajo.
17. Antes de activar el interruptor, asegúrese de que el bloqueo del eje esté quitado.
18. Asegúrese de que el disco no toque la base giratoria cuando esté en la posición más baja.
19. Sujete la empuñadura firmemente. Tenga presente que la sierra se mueve un poco hacia arriba y hacia abajo durante el inicio y la parada.
20. Asegúrese de que el disco no esté tocando la pieza de trabajo antes de activar el interruptor.
21. Antes de utilizar la herramienta para cortar la pieza de trabajo definitiva, déjela funcionar durante un rato. Observe para ver si se producen vibraciones o bamboleos que puedan indicar que el disco está mal instalado o mal equilibrado.
22. Espere a que el disco alcance plena velocidad antes de cortar.
23. Detenga la operación inmediatamente si nota algo anormal.
24. No intente bloquear el gatillo en la posición activada.
25. Esté alerta en todo momento, especialmente durante las operaciones repetitivas y monótonas. No se deje llevar por el falso sentido de seguridad. Los discos de sierra nunca perdonan un descuido.
26. Emplee siempre los accesorios recomendados en este manual. El empleo de accesorios incorrectos tales como muelas abrasivas puede ocasionar heridas.
27. No utilice la sierra para cortar otra cosa que no sea aluminio, madera o materiales similares.
28. Conecte las sierras ingletadoras a un dispositivo de recogida de polvo cuando sierre.
29. Seleccione los discos de sierra según el material a cortar.
30. Tenga cuidado cuando abra ranuras.
31. Reemplace la placa de corte cuando se gaste.
32. No utilice discos de sierra fabricados con acero rápido.

33. El polvo de las operaciones de corte algunas veces contiene productos químicos que se sabe ocasionan cáncer, defectos de nacimiento u otros peligros relacionados con la reproducción. Algunos ejemplos de estos productos químicos son:

- plomo de materiales pintados con pinturas que contengan plomo.
- arsénico y cromo de maderas tratadas químicamente.

El riesgo al que se expone variará, dependiendo de la frecuencia con la que realice este tipo de trabajo. Para reducir la exposición a estos productos químicos: trabaje en un área bien ventilada y póngase el equipo de seguridad indicado, tal como esas máscaras contra el polvo que están especialmente diseñadas para filtrar partículas microscópicas.

34. Para reducir el ruido emitido, asegúrese siempre de que el disco esté afilado y limpio.
35. El operario deberá estar debidamente preparado para utilizar, ajustar y manejar la herramienta.
36. Utilice discos de sierra correctamente afilados. Observe la velocidad máxima marcada en el disco de sierra.
37. Absténgase de retirar cualquier recorte u otras partes de la pieza de trabajo del área de corte mientras la herramienta esté en marcha y la cabeza de la sierra no esté en posición de descanso.

GUARDE ESTAS INSTRUCCIONES.

INSTALACIÓN

Montaje en un banco de trabajo

Cuando la herramienta sale de fábrica, la empuñadura está bloqueada en la posición bajada con el pasador de retención. Suelte el pasador de retención bajando ligeramente la empuñadura y tirando del pasador de retención. (Fig. 1)

Esta herramienta se deberá fijar con dos pernos a una superficie nivelada y estable utilizando los agujeros para pernos provistos en la base de la herramienta. Esto ayudará a evitar que se vuelque y pueda ocasionar heridas. (Fig. 2)

Gire el perno de ajuste hacia la derecha o hacia la izquierda de forma que toque la superficie del suelo para mantener estable la herramienta. (Fig. 3)

DESCRIPCIÓN DEL FUNCIONAMIENTO

PRECAUCIÓN:

- Asegúrese siempre de que la herramienta esté apagada y desenchufada antes de ajustar o comprobar cualquier función de la herramienta.

Protector de disco (Fig. 4 y 5)

Para todos los países excepto los países europeos

Al bajar la empuñadura, el protector del disco se sube automáticamente. El protector es accionado por resorte por lo que retorna a su posición original cuando se completa el corte y se sube la empuñadura. JAMÁS ANULE NI quite el protector del disco ni el resorte fijado al protector.

En beneficio de su seguridad personal, mantenga el protector del disco siempre en buen estado. Cualquier operación irregular del protector de disco deberá ser corregida inmediatamente. Compruebe para asegurarse de que el protector de disco retorna accionado por resorte. NO UTILICE NUNCA LA HERRAMIENTA SI EL PROTECTOR DE DISCO O EL RESORTE ESTÁ DAÑADO, DEFECTUOSO O SE HA QUITADO. HACER ESTO ES MUY PELIGROSO Y PUEDE OCASIONAR HERIDAS PERSONALES GRAVES.

Para países europeos

Al bajar la empuñadura, el protector del disco A se sube automáticamente. El protector del disco B se sube al hacer contacto con la pieza de trabajo. Los protectores se accionan por resorte por lo que retornarán a su posición original cuando se complete el corte y sea subida la empuñadura. JAMÁS ANULE NI quite los protectores del disco ni el resorte que hay fijado al protector.

En beneficio de su seguridad personal, mantenga cada protector del disco siempre en buen estado. Cualquier operación irregular de los protectores del disco deberá ser corregida inmediatamente. Compruebe para asegurarse de que los protectores del disco retornan accionadas por resorte. NO UTILICE NUNCA LA HERRAMIENTA SI LOS PROTECTORES DEL DISCO O EL RESORTE ESTÁN DAÑADOS, DEFECTUOSOS O SE HAN QUITADO. HACER ESTO ES MUY PELIGROSO Y PUEDE OCASIONAR HERIDAS PERSONALES GRAVES.

Si el protector de disco transparente se ensucia, o si se adhiere a él serrín de tal forma que no pueda verse fácilmente el disco, desenchufe la herramienta y limpie el protector cuidadosamente con un paño húmedo. No utilice disolventes ni productos de limpieza a base de petróleo para limpiar el protector de plástico.

Si el protector de disco está especialmente sucio y no se puede ver bien a través de él, afloje el perno hexagonal que sujeta la cubierta central utilizando la llave de tubo suministrada. Afloje el perno hexagonal girándolo hacia la izquierda y suba el protector de disco y la cubierta central. Con el protector de disco en esta posición, la limpieza se puede hacer de forma más completa y eficiente. Cuando haya completado la limpieza, invierta el procedimiento de arriba y apriete el perno. No quite el resorte que sujeta el protector de disco. Si el protector de disco se descolora con el paso del tiempo o por la exposición a los rayos ultravioleta, póngase en contacto con el Centro de servicio Makita para adquirir un protector nuevo. NO ANULE NI quite el protector.

Posicionamiento de las placas de corte (Fig. 6 y 7)

Esta herramienta se provee con placas de corte en la base giratoria para minimizar el desgarro en el lado de salida de un corte. Las placas de corte se ajustan en fábrica para que el disco de sierra no las toque. Antes de usar la herramienta, ajuste las placas de corte de la forma siguiente:

En primer lugar, desenchufe la herramienta. Afloje todos los tornillos (2 en cada lado derecho e izquierdo) que sujetan las placas de corte. Apriételes otra vez pero solamente hasta el punto en el que las placas de corte puedan seguir moviéndose fácilmente con la mano. Baje la empuñadura completamente y empuje hacia dentro el pasador de retención para bloquear la empuñadura en la posición bajada. Afloje los dos tornillos de fijación que sujetan las barras deslizablees. Tire del carro hacia usted completamente. Ajuste las placas de corte de forma que justamente hagan contacto con los laterales de los dientes del disco. Apriete los tornillos delanteros (no los apriete mucho). Empuje el carro hacia la guía lateral completamente y ajuste las placas de corte de forma que justamente hagan contacto con los laterales de los dientes del disco. Apriete los tornillos traseros (no los apriete mucho).

Después de ajustar las placas de corte, libere el pasador de retención y suba la empuñadura. Después apriete todos los tornillos firmemente.

PRECAUCIÓN:

- Antes y después de cambiar el ángulo de bisel, ajuste siempre las placas de corte como se describe arriba.

Para mantener la máxima capacidad de corte (Fig. 8 y 9)

Esta herramienta se ajusta en fábrica para lograr su capacidad de corte máxima con un disco de sierra de 190 mm.

Cuando instale un disco nuevo, compruebe siempre la posición límite inferior del disco, y si es necesario, ajústela de la forma siguiente:

En primer lugar, desenchufe la herramienta. Empuje el carro a tope hacia la guía lateral y baje la empuñadura completamente. Gire el perno de ajuste utilizando la llave de tubo hasta que la periferia del disco esté ligeramente por debajo de la parte superior de la base giratoria en el punto donde la cara delantera de la guía lateral se encuentra con la parte superior de la base giratoria.

Con la herramienta desenchufada, gire el disco con la mano a la vez que sujeta la empuñadura bajada completamente para asegurarse de que el disco no hace contacto con ninguna parte de la base inferior. Reajuste ligeramente, si es necesario.

PRECAUCIÓN:

- Después de instalar un disco nuevo, asegúrese siempre de que el disco no haga contacto con ninguna parte de la base inferior cuando la empuñadura está bajada completamente. Haga esto siempre con la herramienta desenchufada.

Brazo de retención (Fig. 10)

La posición inferior máxima del disco puede ajustarse fácilmente con el brazo de retención. Para ajustarla, mueva el brazo de retención en el sentido de la flecha como se muestra en la figura. Ajuste el tornillo de ajuste de forma que el disco se pare en la posición deseada cuando baje completamente la empuñadura.

Ajuste del ángulo de inglete (Fig. 11)

Afloje el mango girándolo hacia la izquierda. Gire la base giratoria a la vez que presiona hacia abajo la palanca de bloqueo. Cuando haya movido el mango a la posición donde el puntero apunta al ángulo deseado en la escala de inglete, apriete firmemente el mango hacia la derecha.

PRECAUCIÓN:

- Cuando vaya a girar la base giratoria, asegúrese de subir la empuñadura completamente.
- Después de cambiar el ángulo de inglete, sujete siempre la base giratoria apretando el mango completamente.

Ajuste del ángulo de bisel (Fig. 12 y 13)

Para ajustar el ángulo de bisel, afloje la palanca de la parte trasera de la herramienta moviéndola hacia la izquierda.

Empuje la empuñadura hacia la izquierda para inclinar el disco hasta que el puntero apunte al ángulo deseado en la escala de bisel. Después apriete la palanca hacia la derecha para sujetar el brazo.

Para inclinar el disco hacia la derecha, presione el botón de liberación de la parte trasera de la herramienta a la vez que inclina el disco ligeramente hacia la izquierda después de aflojar la palanca. Con el botón de liberación presionado, incline el disco hacia la derecha.

PRECAUCIÓN:

- Cuando vaya a inclinar el disco de sierra, asegúrese de subir la empuñadura completamente.
- Después de cambiar el ángulo de bisel, sujete siempre el brazo apretando la palanca hacia la derecha.
- Cuando quiera cambiar el ángulo de bisel, asegúrese de posicionar las placas de corte debidamente como se explica en la sección "Posicionamiento de las placas de corte".

Ajuste de la posición de la palanca (Fig. 14)

La palanca puede recolocarse a cada 30° de ángulo cuando no está completamente apretada.

Afloje y quite el tornillo que sujeta la palanca en la parte trasera de la herramienta. Quite la palanca e instálela otra vez de forma que esté ligeramente por encima del nivel. Sujete la palanca con el tornillo firmemente.

Accionamiento del interruptor

PRECAUCIÓN:

- Antes de enchufar la herramienta, compruebe siempre para cerciorarse de que el gatillo interruptor se acciona debidamente y que vuelve a la posición "OFF" cuando lo suelta.
- Cuando no esté utilizando la herramienta, quite el botón de desbloqueo y guárdelo en un lugar seguro. Esto evitará que alguien la use sin autorización.
- No apriete el gatillo interruptor con fuerza sin presionar el botón de desbloqueo. Esto podrá ocasionar la rotura del interruptor.

Para países europeos (Fig. 15)

Para evitar que el gatillo pueda accionarse accidentalmente, se ha provisto un botón de desbloqueo. Para poner en marcha la herramienta, empuje la palanca hacia la izquierda, presione hacia dentro el botón de desbloqueo y apriete el gatillo interruptor. Suelte el gatillo interruptor para parar.

Para todos los países excepto los países europeos (Fig. 16)

Para evitar que el gatillo pueda accionarse accidentalmente, se ha provisto un botón de desbloqueo. Para poner en marcha la herramienta, presione hacia dentro el botón de desbloqueo y apriete el gatillo interruptor. Suelte el gatillo interruptor para parar.

ADVERTENCIA:

- No utilice NUNCA la herramienta si el gatillo interruptor no funciona perfectamente. Cualquier herramienta con un interruptor que no funciona es MUY PELIGROSA y deberá ser reparada antes de seguir utilizándola.
- Por su propia seguridad, esta herramienta está equipada con un botón de desbloqueo para evitar que la herramienta se ponga en marcha sin querer. No utilice NUNCA la herramienta si se pone en marcha cuando usted simplemente aprieta el gatillo interruptor sin presionar el botón de desbloqueo. Lleve la herramienta a un Centro de servicio Makita para que le hagan las reparaciones apropiadas ANTES de seguir utilizándola.
- No sujete NUNCA con cinta ni anule la finalidad y la función para la que se ha provisto el botón de desbloqueo.

Iluminación de las lámparas (Fig. 17)

Para los modelos LS0714F, LS0714FL

PRECAUCIÓN:

- Esta no es una luz a prueba de lluvia. No lave la luz con agua ni la utilice bajo la lluvia o en un área mojada. Dicha acción podrá ocasionar una descarga eléctrica y humo.
- No toque la lente de la luz, porque estará muy caliente mientras esté encendida o poco después de haberla apagado. Esto podría ocasionarle una quemadura.
- No esponga la luz a golpes, porque podrá ocasionar daños a la misma o acortar su vida de servicio.
- No mantenga la trayectoria del foco de la luz dirigida a sus ojos. Ello podrá ocasionare dolor de ojos.
- No cubra la luz con un trapo, cartón, cartulina u objetos similares mientras esté encendida, porque podrá ocasionar un incendio o ignición.

Pulse la posición superior del interruptor para encender la luz y la posición inferior para apagarla.

Mueva la luz para cambiar el área de iluminación.

NOTA:

- Utilice un paño seco para quitar la suciedad de la lente de la lámpara. Tenga cuidado de no rayar la lente de la lámpara, porque podrá disminuir la iluminación.

Accionamiento del rayo láser (Fig. 18 y 19)

Para los modelos LS0714FL, LS0714L

PRECAUCIÓN:

- No mire nunca directamente al rayo láser. El rayo láser directo puede dañar sus ojos.
- RADIACIÓN LÁSER. NO SE QUEDE MIRANDO AL RAYO LÁSER NI LO VEA DIRECTAMENTE CON INSTRUMENTOS ÓPTICOS. PRODUCTO LÁSER CLASE 2M.

Para encender el rayo láser, presione la posición superior (I) del interruptor. Presione la posición inferior (O) para apagar.

La línea láser puede moverse tanto hacia el lado izquierdo como el derecho del disco ajustando el tornillo de ajuste de la forma siguiente.

1. Afloje el tornillo de ajuste girándolo hacia izquierda.
2. Con el tornillo de ajuste aflojado, deslice el tornillo de ajuste hacia la derecha o hacia la izquierda a tope.
3. Apriete el tornillo de ajuste firmemente en la posición donde deje de deslizarse.

La línea láser se ajusta en fábrica de forma que está posicionada en 1 mm desde la superficie lateral del disco (posición de corte).

NOTA:

- Cuando la línea láser sea débil y casi o totalmente invisible debido a la luz solar directa en exteriores o en interiores cerca de una ventana donde se trabaja, reubique el área de trabajo a un lugar no expuesto a la luz solar directa.

Alineación de la línea láser (Fig. 20)

La línea láser se puede cambiar al lado derecho o izquierdo del disco de acuerdo con las aplicaciones de corte. Consulte la explicación titulada "Accionamiento del rayo láser" referente a su método de cambio.

NOTA:

- Cuando quiera alinear la línea de corte con la línea láser en el lado de la guía lateral en corte compuesto (ángulo de bisel de 45 grados) y ángulo de inglete derecho de 45 grados), utilice una guarnición de madera contra la guía lateral.
 - A) Cuando obtenga el tamaño correcto en el lado izquierdo de la pieza de trabajo
 - Cambie la línea láser al lado izquierdo del disco.
 - B) Cuando obtenga el tamaño correcto en el lado derecho de la pieza de trabajo
 - Cambie la línea láser al lado derecho del disco.

Alinee la línea de corte de su pieza de trabajo con la línea láser.

MONTAJE

PRECAUCIÓN:

- Asegúrese siempre de que la herramienta esté apagada y desenchufada antes de realizar cualquier trabajo en ella.

Para guardar la llave de tubo (Fig. 21)

La llave de tubo se almacena como se muestra en la figura. Cuando quiera utilizar la llave de tubo, extráigala del portallaves. Después de utilizar la llave de tubo, póngala otra vez en el portallaves.

Instalación o desmontaje del disco

PRECAUCIÓN:

- Asegúrese siempre de que la herramienta esté apagada y desenchufada antes de instalar o desmontar el disco.
- Utilice solamente la llave de tubo Makita provista para instalar o desmontar el disco. De lo contrario, podrá producirse apretamiento excesivo o insuficiente del perno hexagonal. Esto podría ocasionarle heridas.

Bloquee la empuñadura en la posición levantada empujando hacia dentro el pasador de retención. (Fig. 22)

Para desmontar el disco, utilice la llave de tubo para aflojar el perno hexagonal que sujeta la cubierta central girándolo hacia la izquierda. Suba el protector de disco y la cubierta central. (Fig. 23)

Presione el bloqueo del eje para bloquear el eje y utilice la llave de tubo para aflojar el perno hexagonal hacia la derecha. Después quite el perno hexagonal, brida exterior y disco. (Fig. 24)

Para instalar el disco, móntelo con cuidado en el eje, asegurándose de que la dirección de la flecha en la superficie del disco coincida con la dirección de la flecha en la caja del disco. Instale la brida exterior y perno hexagonal, y después utilizando la llave de tubo apriete el perno hexagonal (rosca hacia la izquierda) firmemente hacia la izquierda a la vez que presiona el bloqueo del eje.

Devuelva el protector de disco y la cubierta central a sus posiciones originales. Después apriete el perno hexagonal hacia la derecha para sujetar la cubierta central. Libere la empuñadura de la posición levantada tirando del pasador de retención. Baje la empuñadura para asegurarse de que el protector de disco se mueve debidamente. Asegúrese de que el bloqueo del eje ha liberado el eje antes de hacer el corte. (Fig. 25 y 26)

Bolsa de polvo (accesorio) (Fig. 27)

La utilización de la bolsa de polvo permite realizar operaciones de corte limpias y recoger fácilmente el polvo. Para colocar la bolsa de polvo, encájela en la boquilla de polvo.

Cuando la bolsa de polvo esté medio llena, quítela de la herramienta y extraiga el cierre. Vacíe la bolsa de polvo golpeándola ligeramente con objeto de extraer las partículas adheridas en el interior para que no impidan la posterior recogida de polvo.

NOTA:

Si conecta un aspirador Makita a su sierra, podrá realizar operaciones más eficaces y limpias.

Caja de polvo (accesorio) (Fig. 28, 29 y 30)

Inserte la caja de polvo en la boquilla de polvo.

Vacíe la bolsa de polvo lo antes posible.

Para vaciar la caja de polvo, abra la cubierta empujando el botón y vierta fuera el serrín. Vuelva a poner la cubierta en la posición original de forma que quede bloqueada. Puede quitar fácilmente la caja de polvo agarrándola cerca de la boquilla de polvo en la herramienta y tirando de ella hacia fuera a la vez que la gira.

NOTA:

- Si conecta un aspirador Makita a esta herramienta, podrá realizar operaciones más eficaces y limpias.

PRECAUCIÓN:

- Vacíe la caja de polvo antes de que el nivel de serrín recogido llegue a la parte del cilindro.

Sujeción de la pieza de trabajo (Fig. 31)

ADVERTENCIA:

- Es sumamente importante que sujete siempre la pieza de trabajo debida y firmemente con la mordaza. En caso de no hacerlo podrá ocasionar daños a la herramienta y/o echar a perder la pieza de trabajo. TAMBIÉN PODRÁ SUFRIR HERIDAS PERSONALES. Además, después de la operación de corte, NO suba el disco hasta que se haya parado completamente.

PRECAUCIÓN:

- Cuando corte piezas de trabajo largas, utilice apoyos que sean tan altos como el nivel de la parte superior de la base giratoria. No confíe únicamente en la mordaza vertical y/o mordaza horizontal para sujetar la pieza de trabajo.

El material fino tiende a combarse. Apoye la pieza de trabajo sobre su entera longitud para evitar que el disco se trabe y ocurra un posible RETROCESO BRUSCO.

Mordaza vertical (Fig. 32)

La mordaza vertical se puede instalar en dos posiciones tanto en el lado derecho como el izquierdo de la guía lateral o el conjunto del soporte (accesorio opcional). Inserte la barra de la mordaza en el agujero de la guía lateral o del conjunto del soporte y apriete el tornillo para sujetar la barra de la mordaza.

Posicione el brazo de la mordaza de acuerdo con el grosor y forma de la pieza de trabajo y sujete el brazo de la mordaza apretando el tornillo. Si el tornillo que sujeta el brazo de la mordaza toca la guía lateral, instale el tornillo en el lado opuesto del brazo de la mordaza. Asegúrese de que ninguna parte de la herramienta toque la mordaza cuando baje la empuñadura completamente o tire o empuje el carro a tope. Si alguna parte toca la mordaza, reposicione la mordaza.

Presione la pieza de trabajo a ras contra la guía lateral y la base giratoria. Ponga la pieza de trabajo en la posición de corte deseada y sujétela firmemente apretando el pomo de la mordaza.

PRECAUCIÓN:

- La pieza de trabajo deberá estar firmemente sujeta contra la base giratoria y la guía lateral con la mordaza durante todas las operaciones.

Mordaza horizontal (accesorio opcional) (Fig. 33)

La mordaza horizontal se puede instalar en el lado izquierdo de la base. Girando el pomo de la mordaza hacia la izquierda se afloja el tornillo y el eje se puede mover rápidamente hacia dentro y hacia fuera. Girando el pomo de la mordaza hacia la derecha, el tornillo se mantiene apretado. Para sujetar la pieza de trabajo, gire el pomo de la mordaza suavemente hacia la derecha hasta que la proyección alcance su máxima posición superior, después apriete firmemente. Si fuerza el pomo de la mordaza o lo saca mientras lo esté girando hacia la derecha, la proyección podrá quedar en ángulo. En este caso, vuelva a girar el pomo de la mordaza hacia la izquierda hasta que se suelte el tornillo, antes de girar otra vez suavemente hacia la derecha. La anchura máxima de la pieza de trabajo que se puede sujetar con la mordaza horizontal es de 120 mm.

PRECAUCIÓN:

- Sujete la pieza de trabajo solamente cuando la proyección esté en la posición máxima superior. En caso contrario podrá resultar en una insuficiente sujeción de la pieza de trabajo. Esto podrá hacer que la pieza de trabajo salga lanzada, ocasionar daños al disco u ocasionar la pérdida del control, que podrá resultar en HERIDAS PERSONALES.

Soportes y conjuntos de soportes (accesorios opcionales) (Fig. 34 y 35)

Los soportes y los conjuntos de soportes se pueden instalar en cualquiera de los lados como medio útil para sujetar piezas de trabajo horizontalmente. Instálelos como se muestra en la figura. Después apriete los tornillos firmemente para sujetar los soportes y los conjuntos de soporte.

Cuando corte piezas de trabajo largas, utilice el conjunto de barra de soporte (accesorio opcional). Éste consiste en dos conjuntos de soporte y dos barras de 12.

PRECAUCIÓN:

- Apoye siempre las piezas de trabajo largas a nivel con la superficie de la base giratoria para realizar cortes precisos y evitar una peligrosa pérdida del control de la herramienta.

OPERACIÓN

PRECAUCIÓN:

- Antes de utilizar, asegúrese de liberar la empuñadura de la posición bajada tirando del pasador de retención.
- Asegúrese de que el disco no esté haciendo contacto con la pieza de trabajo, etc., antes de activar el interruptor.
- No ejerza presión excesiva en la empuñadura cuando corte. Una fuerza excesiva podrá resultar en una sobrecarga del motor y/o reducir la eficacia de corte. Empuje hacia abajo la empuñadura con la fuerza únicamente necesaria para cortar suavemente y sin reducir significativamente la velocidad del disco.
- Presione hacia abajo suavemente la empuñadura para realizar el corte. Si presiona hacia abajo la empuñadura con fuerza o si ejerce fuerza lateral, el disco vibrará y dejará una marca (marca de sierra) en la pieza de trabajo y se deteriorará la precisión del corte.
- Durante un corte de deslizamiento, empuje suavemente el carro hacia la guía lateral sin parar. Si para el movimiento del carro durante el corte, quedará una marca en la pieza de trabajo y se deteriorará la precisión del corte.

1. Corte por presión

(corte de piezas de trabajo pequeñas) (Fig. 36)

De la forma siguiente se pueden cortar piezas de trabajo de hasta 50 mm de alto y 97 mm de ancho.

Empuje el carro hacia la guía lateral a tope y apriete los dos tornillos de fijación que sujetan las barras deslizables girándolos hacia la derecha para sujetar el carro. Sujete la pieza de trabajo con la mordaza. Encienda la herramienta sin que el disco esté tocando nada y espere hasta que el disco adquiera plena velocidad antes de bajarlo. Después baje suavemente la empuñadura hasta la posición totalmente bajada para cortar la pieza de trabajo. Cuando haya completado el corte, apague la herramienta y ESPERE HASTA QUE EL DISCO SE HAYA PARADO COMPLETAMENTE antes de devolver el disco a su posición completamente elevada.

PRECAUCIÓN:

- Apriete firmemente los dos tornillos de fijación que sujetan las barras deslizables girándolos hacia la derecha para que el carro no se mueva durante la operación. Un apretado insuficiente podrá ocasionar un repentino retroceso brusco del disco. Podrá resultar en posibles HERIDAS PERSONALES graves.

2. Corte de deslizamiento (empujando) (corte de piezas de trabajo anchas) (Fig. 37)

Afloje los dos tornillos de fijación que sujetan las barras deslizables girándolos hacia la izquierda para poder deslizar el carro libremente. Sujete la pieza de trabajo con la mordaza. Tire del carro hacia usted completamente. Encienda la herramienta sin que el disco esté tocando nada y espere hasta que el disco adquiera plena velocidad. Presione hacia abajo la empuñadura y EMPUJE EL CARRO HACIA LA GUÍA LATERAL Y A TRAVÉS DE LA PIEZA DE TRABAJO. Cuando haya completado el corte, apague la herramienta y ESPERE HASTA QUE EL DISCO SE HAYA PARADO COMPLETAMENTE antes de devolver el disco a su posición completamente elevada.

PRECAUCIÓN:

- Siempre que realice el corte de deslizamiento, PRIMERO TIRE DEL CARRO HACIA USTED COMPLETAMENTE y presione hacia abajo la empuñadura hasta la posición completamente bajada, después EMPUJE EL CARRO HACIA LA GUÍA LATERAL. NO INICIE NUNCA EL CORTE SIN HABER TIRADO DEL CARRO COMPLETAMENTE HACIA USTED. Si realiza el corte de deslizamiento sin haber tirado del carro completamente o si realiza el corte de deslizamiento en dirección hacia usted, el disco podrá retroceder bruscamente de forma inesperada y posiblemente causarle graves HERIDAS PERSONALES.
- No realice nunca el corte de deslizamiento con la empuñadura bloqueada en la posición bajada presionando hacia dentro el pasador de retención.
- No afloje nunca el tornillo de fijación que sujeta el carro mientras el disco esté girando. Podrá ocasionarle heridas graves.

3. Corte en inglete

Consulte la sección "Ajuste del ángulo de inglete" explicada más atrás.

4. Corte en bisel (Fig. 38)

Afloje la palanca e incline el disco para establecer el ángulo de bisel (consulte la sección "Ajuste del ángulo de bisel" explicada más atrás). Asegúrese de apretar la palanca firmemente para sujetar de forma segura el ángulo de bisel seleccionado. Sujete la pieza de trabajo con una mordaza. Asegúrese de que el carro esté empujado completamente hacia usted. Encienda la herramienta sin que el disco esté tocando nada y espere hasta que el disco adquiera plena velocidad. Después baje con cuidado la empuñadura hasta la posición completamente bajada mientras aplica presión en dirección paralela al disco y EMPUJE EL CARRO HACIA LA GUÍA LATERAL PARA CORTAR LA PIEZA DE TRABAJO. Cuando haya completado el corte, apague la herramienta y ESPERE HASTA QUE EL DISCO SE HAYA PARADO COMPLETAMENTE antes de devolver el disco a su posición completamente elevada.

PRECAUCIÓN:

- Asegúrese siempre de que el disco se moverá hacia abajo en la dirección del bisel durante un corte en bisel. Mantenga las manos alejadas de la trayectoria del disco.
- Durante un corte en bisel, se podrá crear una condición en la que la pieza cortada quede apoyada contra el costado del disco. Si sube el disco mientras aún está girando, esta pieza podrá ser pillada por el disco, haciendo que salgan despedidos fragmentos que pueden resultar peligrosos. El disco SOLAMENTE deberá ser subido después de que se haya parado completamente.
- Cuando presione hacia abajo la empuñadura, ejerza presión paralela al disco. Si la presión no es paralela al disco durante el corte, el ángulo del disco podrá cambiar y la precisión del corte se deteriorará.

5. Corte compuesto

El corte compuesto es el procedimiento en el que se hace un ángulo de bisel al mismo tiempo que se corta un ángulo de inglete en una pieza de trabajo. El corte compuesto se puede realizar a los ángulos mostrados en la tabla.

Ángulo de inglete	Ángulo de bisel
Izquierda y Derecha 45°	Izquierda 0° – 45°
Derecha 50°	Izquierda 0° – 40°
Derecha 55°	Izquierda 0° – 30°
Derecha 57°	Izquierda 0° – 25°

Cuando quiera realizar un corte compuesto, consulte las explicaciones de "Corte por presión", "Corte de deslizamiento", "Corte en inglete" y "Corte en bisel".

6. Corte de extrusiones de aluminio (Fig. 39)

Cuando sujete extrusiones de aluminio, utilice bloques espaciadores o trozos de madera de desecho como se muestra en la figura para evitar la deformación del aluminio. Cuando corte extrusiones de aluminio utilice un lubricante para operaciones de corte para evitar la acumulación de material de aluminio en el disco.

PRECAUCIÓN:

- No intente nunca cortar extrusiones de aluminio gruesas o redondas. Las extrusiones de aluminio gruesas pueden aflojarse durante la operación y las extrusiones de aluminio redondas no se pueden sujetar firmemente con esta herramienta.

7. Guarnición de madera (Fig. 40)

La utilización de la guarnición de madera ayuda a conseguir cortes sin astillar la pieza de trabajo. Coloque la guarnición de madera en la guía lateral utilizando los agujeros de la guía lateral.

Consulte la figura referente a las dimensiones para elegir una guarnición de madera sugerida.

PRECAUCIÓN:

- Utilice madera recta de grosor uniforme para la guarnición de madera.
- Utilice tornillos para colocar la guarnición de madera en la guía lateral. Los tornillos deberán ser instalados de forma que las cabezas de los mismos queden por debajo de la superficie de la guarnición de madera.
- Cuando esté puesta la guarnición de madera, no gire la base giratoria con la empuñadura bajada. El disco y/o la guarnición de madera se dañarán.

8. Corte de longitudes repetitivas (Fig. 41)

Cuando quiera cortar varias piezas de madera a la misma longitud, de entre 220 mm a 385 mm, la utilización de la placa de presión (accesorio opcional) le ayudará a realizar una operación más eficaz. Instale la placa de presión en el soporte (accesorio opcional) como se muestra en la figura.

Alinee la línea de corte de su pieza de trabajo con el lado izquierdo o derecho de la ranura en la placa de corte, y mientras sujeta la pieza de trabajo para que no se mueva, mueva la placa de presión hasta ponerla a ras contra el extremo de la pieza de trabajo. Después sujete la placa de presión con el tornillo. Cuando no utilice la placa de presión, afloje el tornillo y gire la placa de presión para que no estorbe.

NOTA:

- La utilización del conjunto de barra de soporte (accesorio opcional) permite cortar longitudes repetitivas de hasta 2.200 mm aproximadamente.

9. Ranurado (Fig. 42)

Procediendo de la forma siguiente se puede hacer un corte tipo ranura:

Ajuste la posición límite inferior del disco utilizando el tornillo de ajuste y el brazo de retención para limitar la profundidad de corte del disco. Consulte la sección "Brazo de retención" descrita previamente.

Después de ajustar la posición límite inferior del disco, corte ranuras paralelas a través de la pieza de trabajo utilizando un corte de deslizamiento (empujando) como se muestra en la figura. Después quite con un formón el material que queda entre las ranuras hechas en la pieza de trabajo. No intente realizar este tipo de corte con discos anchos (gruesos) ni con un disco de moldurar. Podría producirse una pérdida de control y heridas.

PRECAUCIÓN:

- Asegúrese de volver a poner el brazo de retención en la posición original cuando realice otros cortes que no sean de ranurado.

Transporte de la herramienta (Fig. 43 y 44)

Asegúrese de que la herramienta esté desenchufada. Sujete el disco a un ángulo de bisel de 0° y la base giratoria a un ángulo de inglete derecho completo. Sujete las barras de deslizables después de tirar del carro completamente hacia la guía lateral. Baje la empuñadura completamente y bloquéela en la posición bajada presionando hacia dentro el pasador de retención. Transporte la herramienta cogiéndola por ambos costados de la base como se muestra en la figura. Si quita los soportes, la bolsa de polvo, etc., podrá transportar la herramienta más fácilmente.

PRECAUCIÓN:

- Sujete siempre todas las partes móviles antes de transportar la herramienta.
- El pasador de retención ha sido pensado solamente para transportar y almacenar la herramienta y no para ninguna operación de corte.

MANTENIMIENTO

PRECAUCIÓN:

- Asegúrese siempre de que la herramienta esté apagada y desenchufada antes de intentar realizar una inspección o mantenimiento.

ADVERTENCIA:

- Asegúrese siempre de que el disco esté afilado y limpio para obtener el mejor y más seguro rendimiento.

Ajuste del ángulo de corte

Esta herramienta ha sido ajustada y alineada cuidadosamente en fábrica, pero un manejo brusco podrá haber afectado la alineación. Si su herramienta no está debidamente alineada, realice lo siguiente:

1. Ángulo de inglete

Empuje el carro hacia la guía lateral y apriete los dos tornillos de fijación para sujetar el carro.

Afloje el mango que sujeta la base giratoria. Gire la base giratoria de forma que el puntero apunte a 0° en la escala de inglete. Después gire la base giratoria ligeramente hacia la derecha y hacia la izquierda para asentarla en la muesca de inglete de 0°. (Déjela tal como está si el puntero no apunta a 0°.) Afloje los pernos hexagonales que sujetan la guía lateral utilizando la llave de tubo. (Fig. 45)

Baje la empuñadura completamente y bloquéela en la posición bajada presionando hacia dentro el pasador de retención. Escuadre el costado del disco con la cara de la guía lateral utilizando una escuadra, cartabón, etc. Después apriete firmemente los pernos hexagonales de la guía lateral en orden desde el lado derecho. (Fig. 46) Asegúrese de que el puntero apunta a 0° en la escala de inglete. Si el puntero no apunta a 0°, afloje el tornillo que sujeta el puntero y ajuste el puntero de forma que apunte a 0°. (Fig. 47)

2. Ángulo de bisel

1. Ángulo en bisel de 0°

Empuje el carro hacia la guía lateral y apriete los dos tornillos de fijación para sujetar el carro. Baje la empuñadura completamente y bloquéela en la posición bajada presionando hacia dentro el pasador de retención. Afloje la palanca de la parte trasera de la herramienta.

Gire el perno de ajuste del ángulo de bisel a 0° (perno inferior) del lado derecho del brazo dos o tres vueltas hacia la izquierda para inclinar el disco hacia la derecha. (Fig. 48)

Escuadre cuidadosamente el costado del disco con la parte superior de la base giratoria utilizando la escuadra, cartabón, etc., y apriete el perno de ajuste del ángulo de bisel a 0° hacia la derecha. Después apriete la palanca firmemente. (Fig. 49)

Asegúrese de que el puntero del brazo apunte a 0° en la escala de bisel del soporte del brazo. Si el puntero no apunta a 0°, afloje el tornillo que sujeta el puntero y ajuste el puntero de forma que apunte a 0°. (Fig. 50)

2. Ángulo en bisel de 45°

Ajuste el ángulo de bisel de 45° solamente después de haber realizado el ajuste del ángulo de bisel de 0°. Para ajustar el ángulo de bisel de 45°, afloje la palanca e incline el disco completamente hacia la izquierda. Asegúrese de que el puntero del brazo apunte a 45° en la escala de bisel del soporte del brazo. Si el puntero no apunta a 45°, gire el perno de ajuste del ángulo de bisel a 45° (perno superior) del lado derecho del brazo hasta que el puntero apunte a 45°. (Fig. 51)

Ajuste de la posición de la línea láser (Fig. 52 y 53)

Para los modelos LS0714FL, LS0714L

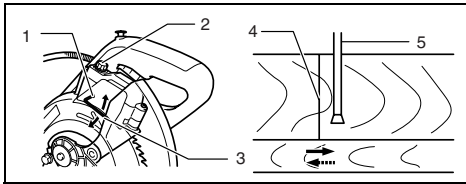
ADVERTENCIA:

- Como la herramienta está enchufada cuando se ajusta la línea láser, preste mucha atención especialmente al accionamiento del interruptor. Si presiona el gatillo interruptor accidentalmente ocasionará un inicio de la herramienta sin querer y heridas personales.

PRECAUCIÓN:

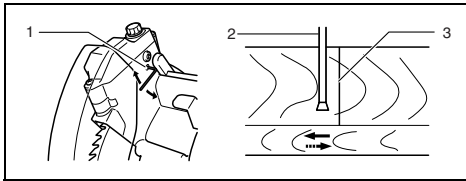
- No mire nunca directamente al rayo láser. El rayo láser directo producirá daño a sus ojos.
- No aplique golpes ni impactos a la herramienta. Un golpe o impacto resultará en una posición incorrecta de la línea láser, daños a la parte emisora del rayo láser o en un acortamiento de la vida de servicio de la herramienta.
- Haga que le reparen la herramienta en un Centro de servicio autorizado Makita si ocurre cualquier fallo en la unidad láser. No se permite cambiar con diferente tipo de láser.

Al hacer el ajuste la línea láser aparece en el lado izquierdo del disco



- 1 Tornillo para cambiar el rango movable del tornillo de ajuste
- 2 Tornillo de ajuste
- 3 Llave hexagonal
- 4 Línea láser
- 5 Disco de sierra

Al hacer el ajuste la línea láser aparece en el lado derecho del disco



- 1 Tornillo para cambiar el rango movable del tornillo de ajuste
- 2 Disco de sierra
- 3 Línea láser

Para ambos ajustes, haga lo siguiente.

1. Asegúrese de que la herramienta esté desenchufada.
2. Trace la línea de corte en la pieza de trabajo y póngala en la base giratoria. En este momento, no sujete la pieza de trabajo con una mordaza o dispositivo de sujeción similar.
3. Baje el disco bajando la empuñadura y simplemente compruebe para ver donde están la línea de corte y la posición del disco. (Decida qué posición quiere cortar en la línea de corte.)
4. Después de decidir la posición a cortar, vuelva a poner la empuñadura en la posición original. Sujete la pieza de trabajo con la mordaza vertical sin cambiar la pieza de trabajo de la posición precomprobada.
5. Enchufe la herramienta y active el interruptor láser.
6. Ajuste de la posición de la línea láser de la forma siguiente.

La posición de la línea láser se puede cambiar dado que el rango movable del tornillo de ajuste para el láser se cambia girando los dos tornillos con una llave hexagonal. (El rango movable de la línea láser ha sido ajustado en fábrica en 1 mm desde la superficie lateral del disco.)

Para cambiar el rango movable de la línea láser a una distancia mayor desde la superficie lateral del disco, gire los dos tornillos hacia la izquierda después de aflojar el tornillo de ajuste. Gire estos dos tornillos hacia la derecha para cambiarla a una distancia más próxima a la superficie lateral del disco después de aflojar el tornillo de ajuste.

Consulte la sección titulada "Accionamiento del rayo láser" y regule el tornillo de ajuste de forma que la línea de corte de su pieza de trabajo quede alineada con la línea láser.

NOTA:

- Compruebe regularmente la posición de la línea láser para mayor precisión.
- Haga que le reparen la herramienta en un Centro de servicio autorizado Makita si ocurre cualquier fallo en la unidad láser.

Reemplazo del tubo fluorescente (Fig. 54)

Para los modelos LS0714F, LS0714FL solamente

PRECAUCIÓN:

- Asegúrese siempre de que la herramienta esté apagada y desenchufada antes de reemplazar el tubo fluorescente.
- No aplique fuerza, impactos o arañazos al tubo fluorescente, porque podrá romperse el cristal del mismo y ocasionarle heridas a usted o a alguien que esté cerca de usted.
- Deje el tubo fluorescente sin tocarlo durante un rato inmediatamente después de utilizarlo y después reemplácelo. Si no, podrá quemarse.

Quite los tornillos que sujetan la caja de la lámpara para la luz.

Extraiga la caja de la lámpara manteniendo presionada ligeramente la parte superior de la misma como se muestra en la figura.

Extraiga el tubo fluorescente y después reemplácelo con uno nuevo original de Makita.

Limpieza de la lente de la luz láser (Fig. 55 y 56)

Para los modelos LS0714FL, LS0714L

Si la lente de la luz láser se ensucia, o si se adhiere serrín a ella de tal forma que impida ver fácilmente la línea láser, desenchufe la herramienta y quite y limpie la lente de la luz láser cuidadosamente con un paño suave humedecido. No utilice disolventes ni productos de limpieza a base de petróleo para limpiar la lente.

Para quitar la lente de la luz láser, quite el disco antes de quitar la lente de acuerdo con las instrucciones en la sección titulada "Instalación o desmontaje del disco".

Afloje pero no quite el tornillo que sujeta la lente utilizando un destornillador.

Extraiga la lente como se muestra en la figura.

NOTA:

- Si la lente no saliera, afloje un poco más el tornillo y tire de la lente otra vez sin quitar el tornillo.

Reemplazo de las escobillas de carbón

(Fig. 57 y 58)

Extraiga y compruebe las escobillas de carbón regularmente. Reemplácelas cuando se hayan gastado hasta la marca de límite. Mantenga las escobillas de carbón limpias y de forma que entren libremente en el portaescobillas. Ambas escobillas de carbón deberán ser reemplazadas al mismo tiempo. Utilice únicamente escobillas de carbón idénticas.

Utilice un destornillador para quitar los tapones portaescobillas. Extraiga las escobillas gastadas, inserte las nuevas y vuelva a fijar los tapones portaescobillas.

Después de la utilización

- Después de la utilización, limpie las virutas y el polvo adheridos a la herramienta con un paño o similar. Mantenga el protector del disco limpio de acuerdo con las indicaciones de la sección ya vista titulada "Protector de disco". Lubrique las partes deslizantes con aceite para máquinas para evitar que se oxiden.
- Cuando guarde la herramienta, tire del carro hacia usted completamente de forma que la barra deslizante se introduzca completamente en la base giratoria.

Para mantener la **SEGURIDAD** y **FIABILIDAD** del producto, las reparaciones, y cualquier otra tarea de mantenimiento o ajuste deberán ser realizadas en Centros de servicio autorizados por Makita, empleando siempre repuestos Makita.

ACCESORIOS

PRECAUCIÓN:

- Estos accesorios o acoplamientos están recomendados para utilizar con la herramienta Makita especificada en este manual. El empleo de otros accesorios o acoplamientos conllevará un riesgo de sufrir heridas personales. Utilice los accesorios o acoplamientos solamente para su fin establecido.

Si necesita cualquier ayuda para más detalles en relación con estos accesorios, pregunte al centro de servicio Makita local.

- Discos de sierra de carburo
- Conjunto de mordaza (Mordaza horizontal)
- Mordaza vertical
- Llave de tubo de 10
- Juego de soporte
- Conjunto de soporte
- Conjunto de barra de soporte
- Placa de presión
- Bolsa de polvo
- Escuadra
- Botón de desbloqueo (2 piezas)
- Tubo fluorescente
- Llave hexagonal

PORTUGUÊS

Explicação geral

1	Pino de bloqueio	34	Cobertura central	62	Extrusão de alumínio
2	Perno	35	Chave de tubo	63	Mais de 15 mm
3	Perno de regulação	36	Perno hexagonal	64	Mais de 420 mm
4	Resguardo da lâmina A	37	Cobertura de segurança	65	Orifícios
5	Parafuso de precisão	38	Travão do eixo	66	Cavilha de regulação
6	Placa de corte	39	Seta	67	Corte de ranhuras com a lâmina
7	Lâmina da serra	40	Caixa da lâmina	68	Régua triangular
8	Dentes da lâmina	41	Perno hexagonal (para a mão esquerda)	69	Suporte do braço
9	Ângulo de bisel à esquerda	42	Falange exterior	70	Perno de regulação do ângulo de bisel de 0° graus
10	Corte direito	43	Falange interior	71	Perno de regulação do ângulo de bisel à esquerda de 45° graus
11	Base giratória	44	Veio	72	Peça de trabalho
12	Guia de esquadria	45	Saco do pó	73	Linha de corte
13	Superfície superior da mesa giratória	46	Bocal do pó	74	Torno vertical
14	Periferia da lâmina	47	Fecho	75	Retirar
15	Parafuso de regulação	48	Suporte	76	Empurrar
16	Placa de retenção	49	Braço do torno	77	Caixa da lâmpada
17	Alavanca de bloqueio	50	Varão do torno	78	Parafusos
18	Escala de esquadria	51	Suporte	79	Lâmpada fluorescente
19	Ponteiro	52	Conjunto de suporte (acessório opcional)	80	Chave de parafusos
20	Punho	53	Botão do torno	81	Parafuso (só um)
21	Alavanca	54	Projeção	82	Lentes para a luz laser
22	Botão de libertação	55	Eixo do torno	83	Marca limite
23	Escala de bisel	56	Base	84	Tampa do suporte da escova
24	Braço	57	Varão 12	85	Resguardo da lamina B (Para países Europeus)
25	Parafuso	58	Dois parafusos de aperto que prendem a braçadeira deslizante	86	Caixa do pó
26	Botão de segurança	59	Dois parafusos de aperto que prendem a braçadeira deslizante	87	Cobertura
27	Gatilho	60	Torno	88	Botão
28	Pega	61	Calço	89	Parte cilíndrica
29	Luz			90	Pó da serra
30	Interruptor da luz			91	Resguardo da lamina
31	Interruptor para laser				
32	Suporte da chave				
33	Suporte do tubo				

ESPECIFICAÇÕES

Modelo

LS0714/LS0714F/LS0714FL/LS0714L

Diâmetro da lâmina	190 mm
Diâmetro do orifício (suporte)	20 mm
Máx. ângulo de esquadria	Esquerdo 47°, Direito 57°
Máx. ângulo de bisel	Esquerdo 45°, Direito 5°

Capacidades máximas de corte (A x L) com lâmina de 190 mm de diâmetro.

Ângulo de esquadria	Ângulo de bisel		
	45° (esquerdo)	0°	5° (direito)
0°	*45 mm x 265 mm (Nota 1)	*60 mm x 265 mm (Nota 1)	—
	40 mm x 300 mm	52 mm x 300 mm	40 mm x 300 mm
45° (esquerdo e direito)	*45 mm x 185 mm (Nota 2)	*60 mm x 185 mm (Nota 2)	—
	40 mm x 212 mm	52 mm x 212 mm	—
57° (direito)	—	*60 mm x 145 mm (Nota 3)	—
		52 mm x 163 mm	

(Nota)

A marca * indica que está a utilizar um revestimento de madeira com a seguinte espessura.

1: Quando utiliza um revestimento de madeira de 20 mm de espessura.

2: Quando utiliza um revestimento de madeira de 15 mm de espessura.

3: Quando utiliza um revestimento de madeira de 10 mm de espessura.

Velocidade em vazio (min^{-1}) 6.000

Tipo Laser (Só LS0714FL/L) Laser Vermelho 650 nm, <1mW (Classe Laser 2)

Dimensões (C x L x A) 670 mm x 430 mm x 458 mm

Peso líquido LS0714: 13,1 kg, LS0714F: 13,4 kg, LS0714FL: 13,7 kg, LS0714L: 13,5 kg

- Devido a um programa contínuo de pesquisa e desenvolvimento, estas especificações estão sujeitas a alteração sem aviso prévio.
- As especificações podem diferir de país para país.
- Peso de acordo com o Procedimento 01/2003 da EPTA (European Power Tool Association)

Fins a que se destina

Esta ferramenta destina-se a realizar cortes de precisão, rectos e de meia esquadria, em madeira. Com discos de corte apropriados, é possível cortar também alumínio.

Alimentação

A ferramenta só deve ser ligada a uma fonte de alimentação de tensão igual à indicada na placa de características, e só funciona com alimentação CA monofásica. Dispõe de isolamento duplo em conformidade com as normas europeias e pode, portanto, utilizar tomadas sem ligação à terra.

Conselhos de segurança

Para sua segurança, leia as instruções anexas.

REGRAS DE SEGURANÇA ADICIONAIS PARA A FERRAMENTA

ENB034-3

1. Use óculos de protecção.
2. Mantenha as mãos afastadas da parte cortante do disco. Evite tocar no disco quando este rodar por inércia. Pois, mesmo assim, este pode provocar lesões.
3. Não utilize a serra sem os resguardos de segurança montados. Verifique se o resguardo de segurança do disco se encontra devidamente fechado antes de cada utilização. Não trabalhe com a serra se o resguardo de segurança do disco não se movimentar livremente e fechar instantaneamente. Nunca fixe nem prenda o resguardo de segurança do disco em posição aberta.
4. Não efectue qualquer operação com as mãos livres. A peça a trabalhar tem de estar fixa com segurança à base giratória, e a placa guia ao torno durante todas as operações. Nunca utilize as mãos para segurar a peça a trabalhar.
5. Nunca toque na periferia cortante do disco.
6. Desligue a ferramenta e aguarde que o disco de corte pare antes de movimentar a peça a trabalhar ou antes de alterar a regulação.
7. Desligue a ferramenta da tomada antes de mudar o disco ou de proceder a operações de manutenção.
8. Prenda as porções moveis antes de transportar a ferramenta.
9. O pino de travagem que bloqueia a cabeça de corte é só para fins de transporte e armazenagem e não para operação de corte.
10. Não utilize a ferramenta na presença de líquidos ou gases inflamáveis.
11. Verifique cuidadosamente o disco de corte quanto a fissuras ou danos antes da operação. Substitua de imediato o disco se este apresentar fissuras ou danos.
12. Utilize exclusivamente os flanges especificadas para esta ferramenta.
13. Tenha cuidado para não danificar o eixo, os flanges (especialmente a superfície de instalação) ou o perno. Os danos nestes componentes podem provocar a fractura do disco.
14. Certifique-se de que a base giratória está bem fixa, de modo a que não se movimente durante a operação.
15. Por razões de segurança, e antes da utilização limpe a bancada de aparas, restos e detritos, etc.
16. Evite cortar pregos. Inspeccione a peça a trabalhar e retire todos os pregos antes da operação.
17. Certifique-se de que soltou o travão do eixo antes de ligar o interruptor.
18. Certifique-se de que, na posição mais baixa, o disco de corte não fica em contacto com a base giratória.
19. Agarre na pega com firmeza. Tenha em conta que a serra se movimenta um pouco para cima e para baixo, durante o arranque e a paragem da ferramenta.
20. Verifique se o disco não está em contacto com a peça a trabalhar antes de ligar o interruptor.
21. Antes de utilizar a ferramenta na peça a trabalhar, deixe-a funcionar em vazio durante algum tempo. Verifique se existem vibrações ou movimento irregular que possam indicar má instalação ou desequilíbrio do disco.
22. Aguarde que o disco atinja a velocidade máxima antes de iniciar o corte.
23. Pare a ferramenta de imediato se notar algo no funcionamento que não seja normal.
24. Não tente bloquear o gatilho na posição ON (Ligado).
25. Mantenha-se atento, especialmente no decorrer de operações repetitivas e monótonas. Não se deixe convencer por uma falsa sensação de segurança. Os discos de corte provocam lesões muito graves.
26. Utilize sempre os acessórios recomendados neste manual. A utilização de acessórios inadequados tais como discos abrasivos podem dar origem a lesões.
27. Utilize a serra apenas para cortar alumínio, madeira ou materiais semelhantes.
28. Ligue as serras de esquadria a um dispositivo de pó, ao serrar.
29. Seleccione os discos de corte em função do material a cortar.
30. Tenha cuidado quando fizer rasgos.
31. Substitua a placa de corte quando estiver gasta.
32. Não utilize discos de corte feitos de aço rápido.
33. Algum do pó proveniente da operação contém químicos que provocam cancro, defeitos congénitos ou problemas no aparelho reprodutor. Alguns exemplos desses químicos são:
 - Chumbo de material cuja tinta contenha chumbo
 - Arsénico ou crómio de madeira tratada quimicamente.

O risco a esta exposição varia, dependendo da frequência com que executa este tipo de trabalho. Para reduzir a exposição a estes químicos: trabalhe numa área bem ventilada e utilize equipamento de segurança adequado, como uma máscara contra o pó especialmente concebida para filtrar as partículas microscópicas.

34. Para reduzir o ruído emitido, verifique sempre se o disco de corte está afiado e limpo.
35. O operador tem a formação adequada para utilização, ajuste e manutenção da ferramenta.
36. Utilize discos de corte correctamente afiados. Respeite cuidadosamente as velocidades máxima marcadas no disco de corte.

37. Não retire, da área de corte, aparas ou fragmentos da peça que está a trabalhar enquanto a ferramenta estiver ligada e a cabeça do disco de corte não se encontrar na posição de descanso.

GUARDE ESTAS INSTRUÇÕES.

INSTALAÇÃO

Montagem da bancada

Quando a ferramenta sai de fábrica, a pega está bloqueada na posição inferior pelo pino de bloqueio. Solte o pino de bloqueio descendo ligeiramente a pega e puxando o pino de bloqueio. (Fig. 1)

Esta ferramenta deve ser presa com dois pernos a uma superfície nivelada e estável utilizando os orifícios para os pernos existentes na base da ferramenta. Isto evitará que tombe e possíveis injúrias. (Fig. 2)

Rode o perno de regulação para a direita ou esquerda de modo a que fique em contacto com a superfície para manter a ferramenta estável. (Fig. 3)

DESCRIÇÃO FUNCIONAL

PRECAUÇÃO:

- Certifique-se sempre de que a ferramenta está desligada e a ficha retirada da tomada antes de regular ou inspeccionar qualquer função da ferramenta.

Resguardo da lâmina (Fig. 4 e 5)

Para todos os países não Europeus

Ao descer a pega, o resguardo da lâmina sobe automaticamente. O resguardo dispõe de um dispositivo de mola pelo que volta à posição original depois de concluído o corte e quando se ergue a pega. **NUNCA FORÇE NEM DESMONTE O RESGUARDO DA LÂMINA OU A MOLA QUE ESTÁ FIXA AO RESGUARDO.**

Para a sua própria segurança, mantenha sempre o resguardo da lâmina em boas condições. Qualquer operação irregular do resguardo da lâmina deve ser corrigida imediatamente. Verifique para se assegurar que o retorno do resguardo com a mola funciona bem. **NUNCA UTILIZE A FERRAMENTA SE O RESGUARDO DA LÂMINA OU MOLA ESTIVEREM ESTRAGADOS, DEFEITUOSOS OU RETIRADOS. SE O FIZER É EXTRAORDINARIAMENTE PERIGOSO E PODE CAUSAR SÉRIOS DANOS PESSOAIS.**

Para países Europeus

Ao descer a pega, o resguardo da lâmina A do disco sobe automaticamente. O resguardo da lâmina B sobe ao fazer contacto com a peça de trabalho. Os resguardos dispõem de um dispositivo de mola pelo que voltam à posição original depois de concluído o corte e quando se ergue a pega. **NUNCA FORÇE NEM DESMONTE OS RESGUARDOS DA LÂMINA OU A MOLA QUE ESTÁ FIXA AO RESGUARDO.**

Para a sua própria segurança, mantenha sempre cada um dos resguardos da lâmina em boas condições. Qualquer operação irregular dos resguardos do disco deve ser corrigida imediatamente. Verifique para se assegurar que o retorno dos resguardos da lâmina com a mola funciona bem. **NUNCA UTILIZE A FERRAMENTA SE OS RESGUARDOS DA LÂMINA DO DISCO OU MOLA ESTIVEREM ESTRAGADOS, DEFEITUOSOS OU RETIRADOS. SE O FIZER É EXTRAORDINARIAMENTE PERIGOSO E PODE CAUSAR SÉRIOS DANOS PESSOAIS.**

Se o resguardo da lâmina transparente ficar sujo, ou partículas de pó aderirem de modo a que a lâmina deixe ser facilmente visível, desligue a serra e limpe cuidadosamente o resguardo com um pano húmido. Não utilize dissolventes nem produtos de limpeza à base de petróleo no resguardo de plástico.

Se o resguardo da lâmina estiver especialmente sujo e não conseguir ver bem através do resguardo, utilize a chave de tubo fornecida para soltar o perno hexagonal que prende a cobertura central. Liberte o perno hexagonal rodando-o para a esquerda e levante o resguardo da lâmina e a cobertura central. Com o resguardo da lâmina assim posicionado, pode executar uma limpeza mais completa e eficiente. Quando termina a limpeza, execute o procedimento inverso e aperte o perno. Não retire a mola que prende o resguardo da lâmina. Se o resguardo ficar sem cor com o tempo ou por exposição a luz UV, contacte um serviço de assistência da Makita para obter um novo resguardo. **NÃO ESTRGUE OU RETIRE O RESGUARDO.**

Posicionamento da placa de corte (Fig. 6 e 7)

Esta ferramenta é fornecida com placas de corte na base giratória. As placas de corte foram reguladas na fábrica de modo a que a lâmina da serra não toque nas placas de corte. Antes da utilização regule as placas de corte como se segue:

Primeiro, desligue a ferramenta da corrente. Desaperte todos os parafusos (2 em cada lado esquerdo e direito) que prendem as placas de corte. Volte a apertá-los de modo que as placas de corte sejam facilmente movimentadas com a mão. Desça completamente a pega e empurre o pino de travagem para bloquear a pega na posição inferior. Solte os dois parafusos de aperto que prendem as braçadeiras deslizantes. Puxe o carroto completamente para si. Regule as placas de corte de modo a que contactem ligeiramente os lados dos dentes da lâmina. Aperte os parafusos da frente (não aperte demasiado). Empurre o carroto completamente na direcção da placa guia e regule as placas de corte de modo a que contactem ligeiramente os lados dos dentes da lâmina. Aperte os parafusos de trás (não aperte demasiado).

Depois de regular as placas de corte, solte o pino de travagem e levante a pega. Em seguida aperte todos os parafusos firmemente.

PRECAUÇÃO:

- Antes e depois de mudar o ângulo de bisel, regule sempre as placas de corte como descrito acima.

Manutenção da máxima capacidade de corte (Fig. 8 e 9)

Esta ferramenta foi regulada na fábrica para fornecer a máxima capacidade de corte para uma lâmina de serra de 190 mm.

Quando instala uma nova lâmina, verifique sempre a posição limite inferior da lâmina e, se necessário, regule como se segue:

Primeiro desligue a ferramenta da corrente. Empurre o carro até à guia de esquadria e desça a pega completamente. Utilize a chave de tubo para rodar o perno de regulação até que a periferia da lâmina esteja ligeiramente saída debaixo da superfície da base giratória no local onde a face da frente da guia de esquadria encontra a superfície superior da base giratória.

Com a ferramenta desligada da corrente, rode a lâmina com a mão enquanto agarra na pega completamente para baixo para se certificar de que a lâmina não contacta qualquer parte da base inferior. Reajuste ligeiramente, se necessário.

PRECAUÇÃO:

- Depois de instalar uma lâmina nova, certifique-se sempre de que a lâmina não contacta nenhuma parte da base inferior quando a pega está completamente descida. Faça sempre isto com a ferramenta desligada da corrente.

Placa de retenção (Fig. 10)

A posição limite inferior da lâmina pode ser facilmente regulada com a placa de retenção. Para a regular, rode a placa de retenção na direcção da seta como indicado na figura. Regule os parafusos de modo a que a lâmina pare na posição desejada quando desce completamente a pega.

Regulação do ângulo de esquadria (Fig. 11)

Solte o punho rodando-o para a esquerda. Rode a base giratória enquanto pressiona a alavanca de bloqueio. Quando tiver deslocado o punho para a posição onde o ponteiro aponta para o ângulo desejado na escala de esquadria, aperte firmemente o punho para a direita.

PRECAUÇÃO:

- Quando roda a base giratória, certifique-se de que levanta a pega completamente.
- Depois de mudar o ângulo de esquadria, prenda sempre a base giratória apertando firmemente o punho.

Regulação do ângulo de bisel (Fig. 12 e 13)

Para regular o ângulo de bisel, liberte a alavanca na parte traseira da ferramenta para a esquerda.

Empurre a pega para a esquerda para inclinar a lâmina da serra até que o ponteiro aponte para o ângulo desejado na escala de bisel. Em seguida aperte a alavanca firmemente para a direita para prender o braço.

Para inclinar a lâmina para a direita, empurre o botão de libertação na parte traseira da ferramenta enquanto inclina ligeiramente a lâmina para a esquerda depois de libertar a alavanca. Com o botão de libertação pressionado, empurre a lâmina da serra para a direita.

PRECAUÇÃO:

- Quando inclina a lâmina da serra, certifique-se de que levanta a pega completamente.
- Depois de mudar o ângulo de bisel, prenda sempre o braço apertando a alavanca.
- Quando muda os ângulos de bisel, certifique-se de que posiciona as placas de corte correctamente como explicado na secção "Posicionamento da placa de corte".

Regulação da posição da alavanca (Fig. 14)

A alavanca pode ser reposicionada em qualquer ângulo de 30° quando a alavanca não fornece aperto adequado. Liberte e retire os parafusos que prendem a alavanca na parte traseira da ferramenta. Retire a alavanca e volte a instalá-la outra vez de modo a que esteja ligeiramente acima do nível. Prenda a alavanca firmemente com o parafuso.

Ação do interruptor

PRECAUÇÃO:

- Antes de ligar a ferramenta à corrente, certifique-se sempre de que o gatilho funciona correctamente e volta para a posição "OFF" quando libertado.
- Quando a ferramenta não está em utilização, retire o botão de segurança e guarde-a num local seguro. Para evitar utilização não autorizada.
- Não carregue com força no gatilho sem pressionar o botão de segurança. Pode estragar o interruptor.

Para países Europeus (Fig. 15)

Para evitar que o gatilho seja acidentalmente accionado, existe um botão de segurança. Para iniciar a ferramenta empurre a alavanca para a esquerda, pressione o botão de bloqueio e em seguida carregue no gatilho. Liberte o gatilho para parar.

Para todos os países não Europeus (Fig. 16)

Para evitar que o gatilho seja acidentalmente accionado, existe um botão de segurança. Para iniciar a ferramenta pressione o botão de bloqueio e carregue no gatilho. Liberte o gatilho para parar.

AVISO:

- NUNCA utilize a ferramenta se o gatilho não funcionar correctamente. Qualquer ferramenta com o gatilho estragado é MUITO PERIGOSA e deve ser reparada antes da utilização.
- Para a sua segurança, esta ferramenta está equipada com um botão de segurança que evita que ligue acidentalmente a ferramenta. NUNCA utilize a ferramenta se ela funcionar quando carrega no gatilho sem ter pressionado o botão de bloqueio. Devolva a ferramenta a um centro de Assistência da Makita para reparação ANTES de a voltar a utilizar.
- NUNCA prenda o botão de segurança para o tornar inoperante.

Acender as luzes (Fig. 17)

Para os modelos LS0714F, LS0714FL

PRECAUÇÃO:

- A lâmpada não é à prova de água. Não a lave ou utilize à chuva ou numa zona molhada. Pode causar choque eléctrico e fumaça.
- Não toque nas lentes da lâmpada pois podem estar muito quentes quando está acesa ou depois de desligar. Pode causar queimaduras.
- Não dê pancadas na lâmpada pois pode estragá-la ou diminuir a sua vida útil.
- Não aponte o raio da luz para os seus olhos. Pode ferir os seus olhos.
- Nunca cubra a luz com tecido, cartão ou objectos semelhantes enquanto está acesa pois pode causar incêndio.

Empurre a posição superior do interruptor para ligar a luz e a inferior para desligar.

Desloque a luz para mudar a área iluminada.

NOTA:

- Utilize um pano seco para limpar a sujidade das lentes da lâmpada. Tenha cuidado para não riscar as lentes da lâmpada pois pode diminuir a iluminação.

Ação do raio laser (Fig. 18 e 19)

Para os modelos LS0714FL, LS0714L

PRECAUÇÃO:

- Nunca olhe para o raio laser. Se olhar directamente para o raio laser pode ferir os seus olhos.
- **NÃO OLHE PARA O FOCO OU VEJA DIRECTAMENTE COM INSTRUMENTOS ÓPTICOS, PRODUTO LASER DA CLASSE 2M.**

Para desligar o raio laser, pressione a posição superior (I) do interruptor. Pressione a posição inferior (O) para desligar.

A linha do laser pode ser deslocada tanto para a esquerda como para a direita da lâmina da serra regulando o parafuso como se segue.

1. Solte o parafuso de regulação rodando-o para a esquerda.
2. Com o parafuso de regulação solto, deslize-o para a direita ou esquerda o mais possível.
3. Aperte o parafuso de regulação firmemente na posição onde parar de deslizar.

A linha de laser foi regulada na fábrica de modo a estar posicionada a 1mm da superfície lateral da lâmina (posição de corte).

NOTA:

- Quando a linha de laser for fraca e quase ou inteiramente invisível devido à luz solar directa por trabalho exterior ou interior perto de uma janela, mude a área de trabalho para um local não exposto à luz solar directa.

Alinhamento da linha de laser (Fig. 20)

A linha de laser pode ser deslocada tanto para o lado esquerdo como direito da lâmina de acordo com as aplicações de corte. Refira-se à explicação em "Acção do raio laser" acerca do método de deslocação.

NOTA:

- Utilize revestimento de madeira contra a placa guia quando alinha a linha de corte com a linha de laser no lado da placa guia no corte composto (ângulo de bisel de 45 graus e ângulo de esquadria à direita de 45 graus).
- A) Quando obtém o tamanho correcto no lado esquerdo da peça de trabalho.
- Desloque a linha de laser para a esquerda da lâmina.
- B) Quando obtém o tamanho correcto no lado direito da peça de trabalho.
- Desloque a linha de laser para a direita da lâmina.

Alinhe a linha de corte na sua peça de trabalho com a linha de laser.

MONTAGEM

PRECAUÇÃO:

- Certifique-se sempre de que a ferramenta está desligada e a ficha retirada da tomada antes de executar qualquer inspecção na ferramenta.

Armazenamento da chave de tubo (Fig. 21)

A chave de tubo é armazenada como indicado na figura. Quando utiliza a chave de tubo, tire-a do suporte da chave. Depois de utilizar a chave de tubo, volte a colocá-la no suporte da chave.

Instalar ou retirar a lâmina da serra

PRECAUÇÃO:

- Certifique-se sempre de que a ferramenta está desligada e a ficha retirada da tomada antes de instalar ou retirar a lâmina.
- Utilize só a chave da Makita fornecida para instalar ou retirar a lâmina. Se assim não for pode resultar em aperto excessivo ou insuficiente do perno hexagonal. Pode causar danos.

Prenda a pega na posição elevada empurrando o pino de bloqueio. (Fig. 22)

Para retirar a lâmina, utilize a chave de tubo para soltar o perno hexagonal que prende a cobertura central rodando-o para a esquerda. Levante o resguardo da lâmina e a cobertura central. (Fig. 23)

Pressione o bloqueio do veio para prender o eixo e utilize a chave de tubo para libertar o perno hexagonal para a direita. Em seguida retire o perno hexagonal, flange exterior e lâmina. (Fig. 24)

Para instalar a lâmina, monte-a cuidadosamente no eixo certificando-se de que a direcção da seta na superfície da lâmina corresponde à direcção da seta na caixa da lâmina. Instale a flange exterior e o perno hexagonal e em seguida utilize a chave de tubo para apertar o perno hexagonal (para a mão esquerda) seguramente para a esquerda enquanto pressiona o bloqueio do veio.

Volte a colocar o resguardo da lâmina e a cobertura central na sua posição original. Em seguida aperte o perno hexagonal para a direita para prender a cobertura central. Solte a pega da sua posição elevada empurrando o pino de bloqueio. Desça a pega para se certificar que o resguardo da lâmina funciona correctamente. Certifique-se de que o travão do veio soltou o eixo antes de fazer o corte. (Fig. 25 e 26)

Saco do pó (acessório) (Fig. 27)

A utilização do saco do pó torna as operações de corte mais limpas e a recolha de pó mais fácil. Para prender o saco do pó, coloque-o no bocal do pó.

Quando o saco do pó se encontrar meio cheio, retire-o da ferramenta e tire o fecho. Esvazie o saco do pó, batendo-lhe ligeiramente para remover as partículas aderentes no interior que podem dificultar a recolha.

NOTA:

Se ligar um aspirador Makita à sua serra, pode obter uma limpeza mais eficaz.

Caixa do pó (acessório) (Fig. 28, 29 e 30)

Coloque a caixa do pó no bocal do pé.

Esvazie a caixa de pó sempre que possível.

Para esvaziar a caixa do pó, abra a cobertura empurrando o botão e deite fora o pó da serra. Volte a colocar a cobertura na posição original e trave-a. Pode retirar facilmente a caixa do pó, puxando-a para fora enquanto a roda perto do bocal de pó da ferramenta.

NOTA:

- Se ligar uma aspirador Makita a esta ferramenta, pode executar operações mais eficientes e limpas.

PRECAUÇÃO:

- Esvazie a caixa do pé antes que o pó da serra recolhido atinja a parte do cilindro.

Prender a peça de trabalho (Fig. 31)

AVISO:

- É extremamente importante que prenda sempre correcta e seguramente a peça de trabalho com o torno. Se assim não for a ferramenta pode estragar-se e/ou a peça de trabalho pode ficar destruída. **TAMBÉM PODEM OCORRER DANOS PESSOAIS.** Depois de uma operação de corte, **NÃO** levante a lâmina até que esteja completamente parada.

PRECAUÇÃO:

- Quando corta peças de trabalho compridas, utilize suportes que sejam tão altos como o nível da superfície superior da base giratória. Não conte só com o torno vertical e/ou horizontal para prender a peça de trabalho.

Material fino tem tendência a curvar. Suporte a peça de trabalho a todo o seu comprimento para evitar que a lâmina encrave e possível RECUO.

Torno vertical (Fig. 32)

O torno vertical pode ser instalado em duas posições, tanto à esquerda como à direita da placa guia ou do conjunto de suporte (acessório auxiliar). Introduza o varão do torno no orifício existente na placa guia ou no conjunto de suporte e aperte o parafuso para fixar o varão do torno.

Posicione o braço do torno de acordo com a espessura e forma da peça de trabalho e prenda o braço do torno apertando o parafuso. Se o parafuso que prende o braço do torno contacta a placa guia, instale o parafuso no lado oposto do braço do torno. Certifique-se de que nenhuma parte da ferramenta contacta o torno quando baixa completamente a pega e puxa ou empurra os carretos até ao fim. Se algumas partes contactar o torno, volte a posicionar o torno.

Pressione a peça de trabalho direita contra a placa guia e a base giratória. Posicione a peça de trabalho na posição de corte desejada.

PRECAUÇÃO:

- A peça de trabalho deve ser presa firmemente contra a base giratória e placa guia com o torno durante todas as operações.

Torno horizontal (acessório opcional) (Fig. 33)

O torno horizontal pode ser instalado no lado esquerdo da base. Rodando o botão do torno para a esquerda, o parafuso fica solta e o eixo do torno pode ser movimentado rapidamente para fora e para dentro. Rodando o botão do torno para a direita, o parafuso mantém-se preso. Para agarrar a peça de trabalho, rode o botão do torno com cuidado até que a projecção atinja a sua posição superior e em seguida aperte-o seguramente. Se o botão do torno for forçado para dentro ou para fora enquanto está a ser rodado para a direita, a projecção pode parar num ângulo. Neste caso, volta a rodar o botão do torno para a esquerda até que o parafuso fique solte antes de o voltar a rodar cuidadosamente para a direita.

A largura máxima da peça de trabalho que pode ser presa pelo torno horizontal é 120 mm.

PRECAUÇÃO:

- Só agarre a peça de trabalho quando a projecção está na posição superior. Se assim não for pode resultar em aperto insuficiente da peça de trabalho. Pode causar com que a peça de trabalho caia, estragar a lâmina ou causar perda de controlo que pode resultar em **DANOS PESSOAIS.**

Suportes e conjunto de suporte (acessórios opcionais) (Fig. 34 e 35)

Os suportes e o conjunto do suporte podem ser instalados em qualquer dos lados como um meio conveniente de suportar peças de trabalho horizontalmente. Instale-as como indicado na figura. Em seguida aperte os parafusos firmemente para prender os suportes e o conjunto do suporte.

Quando corta peças de trabalho compridas utilize o conjunto suporte-varão (acessório opcional). Consiste de dois conjuntos de suporte e dois varões 12.

PRECAUÇÃO:

- Suporte sempre peças de trabalho compridas nivelas com a superfície da base giratória para cortes precisos e para evitar perigosa perda de controlo.

OPERAÇÃO

PRECAUÇÃO:

- Antes da utilização, certifique-se de que liberta a pega da sua posição inferior puxando o pino de bloqueio.
- Certifique-se de que a lâmina não está em contacto com a peça de trabalho, etc. , antes de ligar o interruptor.
- Não aplique pressão excessiva na pega enquanto corta. Força demasiada pode resultar em sobrecarga do motor e/ou diminuição de eficiência do corte. Empurre a pega para baixo só com a força necessária para um corte suave e sem diminuição significativa da velocidade da lâmina.
- Pressione suavemente a pega para baixo para executar o corte. Se a pega for pressionada para baixo com força ou se aplicar força lateral, a lâmina vibrará e deixará marca (marca da serra) na peça de trabalho e o corte não será perfeito.
- Quando executa corte correção empurre o carroto suavemente na direcção da placa guia sem parar. Se o movimento do carroto parar durante o corte, ficará uma marca na peça de trabalho e o corte não será perfeito.

1. Corte de pressão (corte de peças pequenas) (Fig. 36)

Peças com até 50 mm de altura e 97 mm de largura podem ser cortadas da seguinte maneira. Empurre os carretos completamente na direção da placa guia e aperte os parafusos de aperto que prendem as braçadeiras deslizantes para a direita para prender os carretos. Prenda a peça de trabalho com o torno. Puxe os carretos completamente para si. Ligue a ferramenta sem que a lâmina faça qualquer contacto e espere até que a lâmina atinja toda a velocidade antes de a descer. Em seguida desça a pega suavemente para a posição completamente descida para cortar a peça de trabalho. Quando o corte termina, desligue a ferramenta e ESPERE ATÉ QUE A LÂMINA PÁRE antes de a voltar a colocar na posição elevada.

PRECAUÇÃO:

- Aperte firmemente os parafusos de aperto que prendem as braçadeiras deslizantes para a direita para que os carretos não se movam durante a operação. Aperto insuficiente pode causar recuo inesperado da lâmina. Pode resultar em DANOS PESSOAIS sérios.

2. Corte correção (empurrão) (corte de peças largas) (Fig. 37)

Solte os parafusos de aperto que prendem as braçadeiras deslizantes para a esquerda para que os carretos possam deslizar livremente. Prenda a peça de trabalho com o torno. Puxe os carretos completamente para si. Ligue a ferramenta sem que a lâmina faça qualquer contacto e espere até que atinja a velocidade máxima. Empurre a pega para baixo e EMPURRE OS CARRETOS NA DIRECÇÃO DA PLACA GUIA E NA PEÇA DE TRABALHO. Quando o corte estiver concluído desligue a ferramenta e ESPERE ATÉ QUE A LÂMINA ESTEJA COMPLETAMENTE PARADA antes de a fazer voltar à posição completamente elevada.

PRECAUÇÃO:

- Quando executa o corte correção, PRIMEIRO PUXE OS CARRETOS COMPLETAMENTE PARA SI e pressione a pega para a posição mais baixa e em seguida EMPURRE OS CARRETOS NA DIRECÇÃO DA PLACA GUIA. NUNCA INICIE O CORTE QUANDO OS CARRETOS NÃO ESTÃO COMPLETAMENTE PUXADOS PARA SI. Se executar o corte deslizante sem puxar completamente os carretos ou se executar o corte correção na sua direcção, a lâmina pode retornar inesperadamente podendo causar sérios DANOS PESSOAIS.
- Nunca execute o corte correção com a pega bloqueada na posição inferior por ter pressionado o pino de bloqueio.
- Nunca desaperte o parafuso de aperto que prende os carretos enquanto a lâmina está a rodar. Pode causar danos sérios.

3. Corte de esquadria

Refira-se à descrição prévia "Regulação do ângulo de esquadria".

4. Corte de bisel (Fig. 38)

Solte a alavanca e incline a lâmina da serra para o ângulo de bisel regulado (Refira-se a "Regulação do ângulo de bisel" descrita anteriormente). Certifique-se de que volta a apertar a alavanca firmemente para prender seguramente o ângulo de bisel seleccionado. Prenda a peça de trabalho com um torno. Certifique-se de que o carroto está puxado completamente para trás para o operador. Ligue a ferramenta sem que a lâmina faça qualquer contacto e espere até que a lâmina atinja a velocidade máxima. Em seguida desça cuidadosamente a pega até à posição mais baixa enquanto aplica pressão em paralelo com a lâmina e EMPURRE O CARRETO NA DIRECÇÃO DA PLACA GUIA PARA CORTAR A PEÇA DE TRABALHO. Quando o corte estiver concluído, desligue a ferramenta e ESPERE ATÉ QUE A LÂMINA ESTEJA COMPLETAMENTE PARADA antes de a fazer voltar à posição totalmente elevada.

PRECAUÇÃO:

- Certifique-se sempre de que a lâmina se movimenta para baixo na direcção de bisel durante um corte de bisel. Mantenha as mãos afastadas do percurso da lâmina.
- Durante um corte de bisel pode ser criada uma condição em que a peça cortada cai encostada à lâmina. Se a lâmina for levantada enquanto ainda está a rodar, esta peça pode ser apanhada pela lâmina e estilhaçar o que pode ser perigoso. A lâmina SÓ deve ser levantada quando estiver completamente parada.
- Quando pressiona a pega para baixo, aplique pressão paralelamente à lâmina. Se a pressão não for paralela à lâmina durante o corte, o ângulo da lâmina pode mudar e o corte não será preciso.

5. Corte composto

Corte composto é o processo em que um ângulo de bisel é feito ao mesmo tempo em que um ângulo de esquadria é cortado na peça de trabalho. O corte composto pode ser executado no ângulo indicado na tabela.

Ângulo de esquadria	Ângulo de bisel
Esquerdo e Direito 45°	Esquerdo 0° – 45°
Direito 50°	Esquerdo 0° – 40°
Direito 55°	Esquerdo 0° – 30°
Direito 57°	Esquerdo 0° – 25°

Quando executa corte composto refira-se às explicações de "Corte de pressão", "Corte correção", "Corte de esquadria" e "Corte de bisel".

6. Corte de extrusões de alumínio (Fig. 39)

Quando prende extrusões de alumínio, utilize calços ou bocados de madeira como indicado na figura para evitar deformação do alumínio. Utilize um lubrificante de corte quando corta a extrusão de alumínio para evitar acumulação do material do alumínio na lâmina.

PRECAUÇÃO:

- Nunca tente cortar extrusões de alumínio espessas ou redondas. Extrusões de alumínio espessas podem soltar-se durante a operação e extrusões de alumínio redondas não podem ser seguras firmemente com esta ferramenta.

7. Revestimento de madeira (Fig. 40)

A utilização de um revestimento de madeira assegura que as peças de trabalho não estilhacem. Prenda um revestimento de madeira à placa guia utilizando os orifícios na placa guia.

Veja a figura relativamente às dimensões sugeridas de um revestimento de madeira.

PRECAUÇÃO:

- Utilize madeira com espessura uniforme para o revestimento de madeira.
- Utilize parafusos para prender o revestimento de madeira à placa guia. Os parafusos devem ser instalados de modo a que as cabeças dos parafusos estejam abaixo da superfície do revestimento de madeira.
- Quando o revestimento de madeira está colocado, não rode a base giratória com a pega descida. A lâmina e/ou o revestimento de madeira ficarão estragados.

8. Corte do mesmo comprimento repetidamente (Fig. 41)

Quando corta várias peças de material com o mesmo comprimento, de 220 mm a 385 mm a utilização da placa de apoio (acessório opcional) facilitará uma operação mais eficiente. Instale a placa de apoio no suporte (acessório opcional) como indicado na figura.

Alinhe a linha de corte na sua peça de trabalho com o lado esquerdo ou direito da ranhura na placa de corte e enquanto placa de apoio não estiver em utilização, solte o parafuso e rode a placa de apoio para não interferir.

NOTA:

- A utilização do conjunto suporte-varão (acessório opcional) permite cortes repetidos com o mesmo comprimento até 2.200 mm.

9. Corte de ranhura (Fig. 42)

Pode fazer um corte tipo dado procedendo como se segue:

Regule a posição inferior da lâmina utilizando os parafusos de regulação e o braço de bloqueio para limitar a profundidade de corte da lâmina. Refira-se à secção "Placa de retenção" descrita anteriormente.

Depois de regular a posição de limite inferior da lâmina, corte ranhuras paralelas ao longo da largura da peça de trabalho utilizando um corte deslizante (empurrão) como indicado na figura. Em seguida retire o material da peça de trabalho entre as ranhuras com um cinzel. Não tente executar este tipo de corte utilizando lâminas largas (espessas) ou com uma lâmina dado. Pode perder o controlo resultando em danos sérios.

PRECAUÇÃO:

- Certifique-se que volta a colocar o braço de bloqueio na posição original quando executa cortes que não sejam de ranhuras.

Transporte da ferramenta (Fig. 43 e 44)

Certifique-se de que a ferramenta está desligada da corrente. Prenda a lâmina no ângulo de bisel de 0° e rode a base completamente para o ângulo de esquadria à direita. Prenda as braçadeiras deslizantes depois de puxar os carretos completamente para si. Desça a pega completamente e prenda-a na posição inferior empurrando o pino de bloqueio.

Transporte a ferramenta agarrando nos dois lados da base da ferramenta como indicado na figura. Se retirar os suportes, saco do pó, etc., pode transportar mais facilmente a ferramenta.

PRECAUÇÃO:

- Prenda sempre todas as partes móveis antes de transportar a ferramenta.
- O pino de bloqueio é só para fins de transporte e armazenamento e não para qualquer operação de corte.

MANUTENÇÃO

PRECAUÇÃO:

- Certifique-se sempre de que a ferramenta está desligada e a ficha retráda da tomada antes de tentar executar qualquer inspeção ou manutenção.

AVISO:

- Certifique-se sempre de que a lâmina está afiada e limpa para um rendimento melhor e mais seguro.

Regulação do ângulo do corte

Esta ferramenta foi cuidadosamente regulada e alinhada na fábrica, mas manuseamento pouco cuidado pode afectar o alinhamento. Se a sua ferramenta não estiver alinhada correctamente proceda como se segue:

1. Ângulo de esquadria

Empurre o carreto na direcção da placa guia e aperte os dois parafusos de aperto para prender o carreto.

Solte o punho que prende a base giratória. Rode a base giratória de modo a que o ponteiro aponte para 0° na escala de esquadria. Em seguida rode a base giratória ligeiramente para a direita e esquerda para colocar a base giratória na ranhura de 0° de esquadria. (Deixe-a como está se o ponteiro não apontar para 0°.) Liberte os pernos hexagonais que prendem a placa guia utilizando a chave hexagonal. (Fig. 45)

Desça a pega completamente e prenda-a na posição inferior empurrando o pino de bloqueio. Ajuste o lado da lâmina com a face da placa guia, utilizando um triângulo, esquadro, etc. Em seguida aperte firmemente os pernos hexagonais na placa guia em ordem a partir do lado direito. (Fig. 46)

Certifique-se de que o ponteiro aponta para 0° na escala de esquadria. Se o ponteiro não apontar para 0°, liberte o parafuso que prende o ponteiro e regule o ponteiro de modo a que aponte para 0°. (Fig. 47)

2. Ângulo de bisel

1. Ângulo de bisel de 0°

Empurre o carreto na direcção da placa guia e aperte os dois parafusos de aperto para prender o carreto. Desça a pega completamente e prenda-a na posição inferior empurrando o pino de bloqueio. Liberte a alavanca na parte traseira da ferramenta. Rode o perno de ajuste do ângulo de bisel de 0° (perno mais baixo) no lado direito do braço duas ou três voltas para a esquerda para inclinar a lâmina para a direita. (Fig. 48)

Ajuste o lado da lâmina com a superfície superior da base giratória utilizando um triângulo, esquadro, etc., rodando o perno de ajuste do ângulo de bisel de 0° para a direita. Em seguida aperte a alavanca firmemente. (Fig. 49)

Certifique-se de que o ponteiro no braço aponta para 0° na escala de bisel no suporte do braço. Se não apontar para 0°, solte o parafuso que prende o ponteiro e regule-o de modo a que aponte para 0°. (Fig. 50)

- Ângulo de bisel de 45°
Regule o ângulo de bisel de 45° só depois de regular o ângulo de bisel de 0°. Para regular o ângulo de bisel de 45°, solte a alavanca e incline a lâmina completamente para a esquerda. Certifique-se de que o ponteiro no braço aponta para 45° na escala de bisel. Se o ponteiro não apontar para 45°, rode o perno de regulação do ângulo de bisel de 45° (perno superior) no lado direito do braço até que o ponteiro aponte para 45°. (Fig. 51)

Regulação da posição da linha de laser (Fig. 52 e 53)

Para os modelos LS0714FL, LS0714L

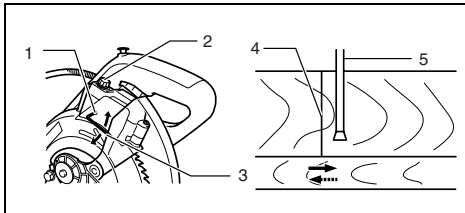
AVISO:

- Se a ferramenta estiver ligada à corrente quando regula a posição da linha de laser, tenha cuidado especial com a acção do interruptor. Carregar no gatilho acidentalmente pode causar um início acidental da ferramenta e danos pessoais.

PRECAUÇÃO:

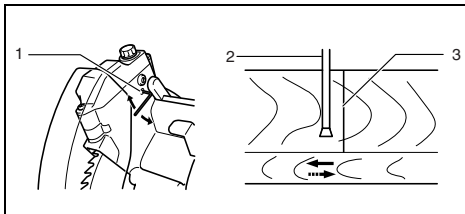
- Nunca olhe para o raio laser. Se olhar directamente para o raio laser pode ferir os seus olhos.
- Nunca dê pancadas ou safanões na ferramenta. Uma pancada ou safanão pode causar uma posição incorrecta de linha de laser, estragar a parte de emissão do raio laser ou diminuir a vida útil da ferramenta.
- No caso de qualquer falha da unidade do laser, mande reparar a ferramenta num centro de assistência autorizado Makita. Não é permitida nenhuma alteração com um tipo de laser diferente.

Quando regula, a linha de laser aparece na parte esquerda da lâmina da serra



- Aparafuse para mudar a deslocação do parafuso de regulação
- Parafuso de regulação
- Chave hexagonal
- Linha de laser
- Lâmina da serra

Quando regula, a linha de laser aparece na parte direita da lâmina da serra



- Aparafuse para mudar a deslocação do parafuso de regulação
- Lâmina da serra
- Linha de laser

Para as duas regulações, proceda como se segue.

- Certifique-se de que a ferramenta está desligada da corrente.
- Desenhe a linha de corte na peça de trabalho e coloque-a na mesa giratória. Nesta altura, prenda a peça de trabalho com um torno ou um instrumento semelhante.
- Desça a lâmina descendo a pega e verifique a localização da linha de corte e da lâmina da serra. (Decida a posição a cortar na linha de corte.)
- Depois de decidir a posição de corte, volte a colocar a pega na posição original. Prenda a peça de trabalho com o torno vertical sem mudar a peça de trabalho de posição pré-verificada.
- Ligue a ferramenta à corrente e ligue o interruptor de laser.
- Regule a posição da linha de laser como se segue.

A posição da linha de laser pode ser mudada de acordo com a gama deslocável do parafuso de regulação pois o laser é mudado rodando dois parafusos com a chave hexagonal. (A gama deslocável da linha de laser foi regulada na fábrica a 1 mm da superfície lateral da lâmina.)

Para mudar a gama deslocável da linha de laser para mais afastada da superfície da lâmina, rode os dois parafusos para a esquerda depois de soltar o parafuso de regulação. Rode estes dois parafusos para a direita para mudar para mais próximo da lâmina depois de soltar o parafuso de regulação.

Refira-se à secção "Acção do raio laser" e regule o parafuso de regulação de modo a que a linha de corte na sua peça de trabalho esteja alinhada com a linha de laser.

NOTA:

- Verifique regularmente a precisão da linha de laser.
- No caso de qualquer incorrecção na linha de laser mande reparar a ferramenta num centro de assistência autorizado da Makita.

Substituição da lâmpada fluorescente (Fig. 54)

Só para os modelos LS0714F, LS0714FL

PRECAUÇÃO:

- Certifique-se sempre de que a ferramenta está desligada e a ficha retirada da tomada antes de substituir a lâmpada fluorescente.
- Não aplique força, impacto ou risque a lâmpada fluorescente pois pode partir o vidro da lâmpada fluorescente causando ferimentos a si ou alguém perto.
- Esperre um pouco depois da utilização da lâmpada antes de a substituir. Pode queimar-se.

Retire os parafusos que prendem a Caixa da Lâmpada para a luz.

Retire a Caixa da Lâmpada empurrando ligeiramente a sua posição superior como indicado na figura.

Retire a lâmpada fluorescente e substitua-a por uma nova lâmpada da Makita.

Limpeza das lentes para a luz laser (Fig. 55 e 56)

Para os modelos LS0714FL, LS0714L

Se as lentes para a luz laser ficarem sujas ou poeira aderir de modo a que a linha de laser deixe de ser visível, desligue a serra da corrente e retire e limpe as lentes da luz laser cuidadosamente com um pano húmido, macio. Não utilize solventes ou outros produtos de limpeza à base de petróleo.

Para retirar as lentes para a luz laser, retire a lâmina da serra antes de retirar as lentes de acordo com as instruções na secção "Instalar ou retirar a lâmina da serra".

Solte mas não retire o parafuso que prende as lentes utilizando uma chave de parafusos.

Tire as lentes como indicado na figura.

NOTA:

- Se as lentes não saírem, solte mais o parafuso e tire as lentes para fora sem retirar o parafuso.

Substituição das escovas de carvão (Fig. 57 e 58)

Desmonte e verifique as escovas de carvão regularmente. Substitua-as quando estas apresentarem um desgaste até à marca limite. Mantenha as escovas de carvão limpas e soltas, podendo deslizar nos suportes. Ambas as escovas de carvão devem ser substituídas em simultâneo. Utilize exclusivamente escovas de carvão idênticas.

Recorra a uma chave de fendas para retirar as tampas dos suportes de escovas. Retire as escovas de carvão gastas, introduza as novas e fixe as tampas dos suportes.

Depois da utilização

- Depois da utilização, limpe as aparas e o pó que aderiu à ferramenta com um pano ou material semelhante. Mantenha o resguardo de segurança do disco limpo conforme instruções constantes da anterior secção com o título "Resguardo da lâmina". Lubrifique os componentes deslizantes com óleo de máquina para evitar a ferrugem.
- Quando guardar a ferramenta, puxe o carro completamente para si de modo a que o braço telescópico fique completamente introduzido na base giratória.

Para manter a SEGURANÇA e a FIABILIDADE do produto, as reparações e qualquer outra manutenção ou ajuste devem ser levadas a cabo pelos centros de assistência Makita autorizados, utilizando sempre peças de substituição Makita.

ACESSÓRIOS

PRECAUÇÃO:

- Estes acessórios ou extensões são recomendados para utilização com a sua ferramenta Makita especificada neste manual. A utilização de quaisquer outros acessórios ou extensões pode representar um risco de lesões para pessoas. Utilize apenas um acessório ou extensão para o fim a que se destina.

Se necessitar de informações adicionais relativas a estes acessórios, solicite-as ao seu centro de assistência Makita.

- Lâminas de serra com pontas de carboneto
- Conjunto do torno (torno horizontal)
- Torno vertical
- Chave hexagonal 10
- Apoio do suporte
- Conjunto do suporte
- Conjunto do Suporte-varão
- Placa de apoio
- Saco do pó
- Régua triangular
- Botão de segurança (2 peças)
- Lâmpada fluorescente
- Chave hexagonal

Illustrationsoversigt

1	Stopstifte	33	Rørholder	63	Over 15 mm
2	Bolt	34	Midterafdækning	64	Over 420 mm
3	Justeringsbolt	35	Topnøgle	65	Huller
4	Beskyttelseskærm A	36	Sekskantbolt	66	Indstillingsplade
5	Fingerskrue	37	Sikkerhedsafdækning	67	Skær riller med klingen
6	Indlægsplade	38	Spindellås	68	Trekantslineal
7	Savklinge	39	Pil	69	Armholder
8	Klingetænder	40	Klingehus	70	0 graders geringsvinkel justeringsbolt
9	Venstre skrånit	41	Sekskantbolt (venstreskåret)	71	Venstre 45 graders geringsvinkel justeringsbolt
10	Lige snit	42	Ydre flange	72	Arbejdsstykke
11	Drejeskive	43	Indre flange	73	Skærelinie
12	Anslag	44	Spindel	74	Lodret skrue
13	Overflade på drejeskive	45	Støvmundstykke	75	Træk ud
14	Klingeperiferi	46	Støvtud	76	Tryk
15	Justeringskrue	47	Lukkeskinne	77	Lampeboks
16	Stoparm	48	Støtte	78	Skruer
17	Låsearm	49	Skruearm	79	Lysstofrør
18	Vinkelskala	50	Skruestang	80	Skruetrækker
19	Viser	51	Holder	81	Skrue (kun een)
20	Indstillingsgreb	52	Holderenhed (ekstraudstyr)	82	Linse til laserlys
21	Håndtag	53	Skrueknop	83	Slidgrænse
22	Udløserknop	54	Fremspring	84	Kulholderdæksel
23	Skråsnitskala	55	Skruespindel	85	Beskyttelseskærm B (til lande i Europa)
24	Arm	56	Bund	86	Støvbeholder
25	Skrue	57	Stang 12	87	Dæksel
26	Aflåseknop	58	To spændeskruer, som holder skydestangen	88	Knap
27	Afbryderkontakt	59	To spændeskruer, som holder skydestangen	89	Cylinderdel
28	Håndtag	60	Skrue	90	Savsmuld
29	Lampe	61	Afstandsklods	91	Beskyttelseskærm
30	Lampekontakt	62	Aluminium-profiler		
31	Laserkontakt				
32	Nøgleholder				

SPECIFIKATIONER

Model

LS0714/LS0714F/LS0714FL/LS0714L

Klingediameter.....	190 mm
Hul (skaft) diameter.....	20 mm
Maks. geringsvinkel.....	Venstre 47°, Højre 57°
Maks. skråvinkel.....	Venstre 45°, Højre 5°

Maks. skærekapacitet (H x B) med klinge med diameter på 190 mm.

Geringsvinkel	Skråvinkel		
	45° (venstre)	0°	5° (højre)
0°	*45 mm x 265 mm (Bemærk 1)	*60 mm x 265 mm (Bemærk 1)	—
	40 mm x 300 mm	52 mm x 300 mm	40 mm x 300 mm
45° (venstre og højre)	*45 mm x 185 mm (Bemærk 2)	*60 mm x 185 mm (Bemærk 2)	—
	40 mm x 212 mm	52 mm x 212 mm	—
57° (højre)	—	*60 mm x 145 mm (Bemærk 3)	—
		52 mm x 163 mm	

(Bemærk)

* mærket angiver, at et træanlæg med den følgende tykkelse anvendes.

- 1: Ved anvendelse af træanlæg med en tykkelse på 20 mm.
- 2: Ved anvendelse af træanlæg med en tykkelse på 15 mm.
- 3: Ved anvendelse af træanlæg med en tykkelse på 10 mm.

Omdrejninger (ubelastet)(min ⁻¹)	6 000
Lasertype (LS0714FL/L)	Rød laser 650 nm, <1mW (laserklasse 2)
Mål (L x B x H).....	670 mm x 430 mm x 458 mm
Nettovægt	LS0714: 13,1 kg, LS0714F: 13,4 kg, LS0714FL: 13,7 kg, LS0714L: 13,5 kg

- Af hensyn til vort løbende udviklingsprogram forbeholdes ret til ændring af specifikationer uden varsel.
- Tekniske data kan variere fra land til land.
- Vægt i henhold til EPTA-Procedure 01/2003

Tilsligtet anvendelse

Denne maskine er beregnet til udførelse af præcis lige afkortning og geringsskæring i træ. Ved brug af passende savklinger kan der også saves i aluminium.

Netspænding

Maskinen må kun tilsluttes den netspænding, der er angivet på typeskiltet. Maskinen arbejder på enkeltfasets vekselspænding og er dobbeltisoleret iht. de europæiske normer og må derfor tilsluttes en stikkontakt uden jordtilslutning.

Sikkerhedsbestemmelser

Af sikkerhedsgrunde bør De sætte Dem ind i de medfølgende Sikkerhedsforskrifter.

YDERLIGERE SIKKERHEDSBESTEMMELSER FOR MASKINEN

ENB034-3

1. Brug altid beskyttelsesbriller.
2. Anbring aldrig Deres hænder eller fingre i savklings bane. Undgå kontakt med klingens, mens denne kører i frihjul. Berøring kan medføre alvorlig tilskadekomst.
3. Anvend ikke saven, hvis beskyttelsesanordningerne ikke er forskriftsmæssigt anbragt. Kontrollér beskyttelsesskærmen for korrekt funktion før hver brug. Anvend ikke saven, hvis beskyttelsesskærmen ikke bevæger sig frit og lukker øjeblikkeligt. Beskyttelsesskærmen må aldrig klemmes eller bindes til åben position.
4. Udfør ikke nogen savninger på frihånd. Emnet skal altid være forsvarligt fastspændt mod drejeskiven og anslaget ved hjælp af skrustikken under alt arbejde med maskinen. Brug aldrig hånden til at holde emnet fast.
5. Tag aldrig fast om og ræk aldrig omkring savklingen.
6. Sluk maskinen og vent indtil savklingen står helt stille, før emnet flyttes eller indstillinger ændres.
7. Træk netstikket ud før der udskiftes klinge eller foretages servicering.
8. Fastgør altid alle bevægelige dele, inden maskinen transporteres.
9. Stopstift, som fastlåser skærehovedet, er kun beregnet til transport- og opbevaringsformål og ikke til nogen form for skæring.
10. Anvend ikke maskinen i nærheden af letantændelige væsker eller gasser.
11. Før maskinen startes, bør De undersøge savklingen omhyggeligt for eventuelle brud eller anden beskadigelse. Revnede eller på anden måde beskadigede savklinger skal straks udskiftes.
12. Anvend kun flanger, der er anbefalet til brug med denne maskine.
13. Behandl aksel, flanger (specielt anlægsflanger) og bolte med omhu. Beskadigelse af disse dele kan medføre beskadigelse af savklingen.
14. Sørg for, at drejeskiven er fastlåst og ikke bevæger sig under brug.
15. Af hensyn til Deres sikkerhed bør affald og smådele fjernes fra drejeskivens overflade, før arbejdet påbegyndes.
16. Undgå at skære i søm. Fjern alle søm fra emnet, før arbejdet påbegyndes.
17. Forvis Dem om, at spindellåsen er løsnet, før De starter maskinen.
18. Sørg for, at savklingen ikke rører drejeskiven i nederste position.
19. Hold godt fast i grebet. Saven kan ved start og stop bevæge sig let op og ned.
20. Sørg for, at savklingen ikke er i berøring med emnet, før maskinen startes.
21. Før maskinen anvendes på emnet, skal den løbe i tomgang et stykke tid. Undersøg om der forekommer vibrationer eller rystelser, der kan være forårsaget af forkert montage eller manglende afbalancering af savklingen.
22. Påbegynd først savningen, når maskinen er oppe på fulde omdrejninger.
23. Afbryd straks anvendelsen, hvis De bemærker noget unormalt under brugen.
24. Forsøg aldrig at fastlåse afbryderen i "on" stillingen.
25. Vær altid på vagt; især under gentaget, monotont arbejde. Det er farligt at blive lullet ind i en falsk følelse af sikkerhed. Savklingerne er meget farlige.
26. Anvend altid kun det tilbehør, der er anbefalet i denne brugsanvisning. Anvendelse af upassende tilbehør, eksempelvis slibeskiver, kan medføre tilskadekomst.
27. Anvend ikke saven til at skære andet end aluminium, træ eller lignende materialer.
28. Tilslut en afkorter-geringssav til en støvopsamlende anordning, når der saves.
29. Vælg savklinger, der passer til det materiale, der skal skæres.
30. Vær omhyggelig, når der skal laves notning.
31. Udskift indlægspladen, når den bliver slidt.
32. Anvend ikke savklinger, der er fremstillet af hurtigtstål.
33. Støv frembragt under anvendelse kan indeholde kemikalier, der er kendte for at kunne fremkalde kræft, give medfødte defekter eller anledning til anden skade på forplantningsevnen. Nogle eksempler på disse kemikalier er:
 - bly fra materialer, der er malet med blyholdigt maling
 - arsenik eller chrom fra kemisk behandlet tømmer.

Risikoen i forbindelse med udsættelse for disse kemikalier afhænger af, hvor ofte De udfører denne type arbejde. For at reducere udsættelse for disse kemikalier bør De: arbejde i veludlufede områder og med anvendelse af godkendt sikkerhedsudstyr, såsom støvmasker, der er specielt konstrueret til at filtrere mikroskopiske partikler.

34. For at reducere den frembragte mængde støv bør De sikre, at savklingen altid er skarp og ren.
35. Operatøren skal være tilstrækkelig øvet i anvendelse, justering og operation af maskinen.
36. Anvend korrekt skærpede savklinger. Overhold den maksimale hastighed, der er angivet på savklingen.
37. Undlad at fjerne nogen form for afskær eller andre dele af emnet fra skæreo området, så længe maskinen kører og savhovedet ikke er i hvileposition.

GEM DISSE INSTRUKTIONER.

MONTERING

Montering på bænk

Når maskinen afsendes fra fabrikken, er håndtaget låst i den sænkede stilling af stopstiften. Frigør stopstiften ved at sænke håndtaget langsomt og trække stopstiften ud. (Fig. 1)

Denne maskine bør altid befæstes med to bolte til en plan og stabil overflade med brug af de bolthuller, som findes i maskinens bund. Dette vil forhindre, at maskinen tipper med personskaide til følge. (Fig. 2)

Drej justeringsbolten i retningen med eller mod uret, så den kommer i berøring med gulvfladen, hvorved maskinen holdes stabil. (Fig. 3)

FUNKTIONSBESKRIVELSE

FORSIGTIG:

- Kontroller altid, at maskinen er slået fra og at netstikket er trukket ud, før der udføres justeringer eller inden funktioner kontrolleres på denne maskine.

Beskyttelsesskærm (Fig. 4 og 5)

For alle lande udenfor Europa

Når De sænker grebet, hæver beskyttelsesskærmen sig automatisk. Beskyttelsesskærmen er fjederbelastet og vender tilbage til udgangspositionen, når arbejdet er afsluttet, og grebet atter hæves. BESKYTTELSESSKÆRMEN MÅ ALDRIG BESKADIGES ELLER FJERNES. DET SAMME GÆLDER FJEDEREN, DER SIDDER PÅ BESKYTTELSESSKÆRMEN.

I Deres egen sikkerheds interesse bør De altid holde beskyttelsesskærmen i forskriftsmæssig stand. Uregelmæssigheder i beskyttelsesskærmens gang bør straks korrigeres. BRUG ALDRIG MASKINEN, HVIS BESKYTTELSESSKÆRMEN ELLER FJEDEREN HAR LIDT SKADE, ER DEFEKT ELLER MANGLER. DETTE ER MEGET FARLIGT OG KAN FØRE TIL ALVORLIG PERSONSKADE.

For lande i Europa

Når De sænker grebet, hæver beskyttelsesskærm A sig automatisk. Beskyttelsesskærm B hæves i takt med at den kommer i berøring med et arbejdsstykke. Beskyttelsesskærmene er fjederbelastede og vender tilbage til udgangspositionen, når arbejdet er afsluttet og grebet atter hæves. BESKYTTELSESSKÆRMENE MÅ ALDRIG BESKADIGES ELLER FJERNES. DET SAMME GÆLDER FJEDEREN, DER SIDDER PÅ BESKYTTELSESSKÆRMEN.

I Deres egen sikkerheds interesse bør De altid holde hver beskyttelsesskærm i god, forskriftsmæssig stand. Uregelmæssigheder i beskyttelsesskærmens gang bør straks korrigeres. Bekræft, at de fjederbelastede beskyttelsesskærme returnerer. BRUG ALDRIG MASKINEN, HVIS BESKYTTELSESSKÆRMEN ELLER FJEDEREN HAR LIDT SKADE, ER DEFEKT ELLER MANGLER. DETTE ER MEGET FARLIGT OG KAN FØRE TIL ALVORLIG PERSONSKADE.

Hvis den transparente beskyttelsesskærm bliver snavset eller der sidder så meget savsmuld på den, at savklingen ikke længere kan ses tydeligt, skal De tage saven ud af forbindelse og rengøre beskyttelsesskærmen med en fugtig klud. Benyt ikke opløsningsmidler eller rengøringsmidler på petroleumsbasis på plasticskærmen.

Hvis beskyttelsesskærmen er meget snavset og der ikke kan ses tydeligt gennem skærmen, anvendes den medfølgende topnøgle til at løse den sekskantbolt, der holder midterafskærmningen på plads. Løs sekskantbolten ved at dreje den mod uret og hæv beskyttelsesskærmen og midterafskærmningen. Med beskyttelsesskærmen anbragt på denne måde, er det lettere at udføre en mere effektiv rengøring. Når rengøringen er færdig, udføres den beskrevne procedure i omvendt orden, og sekskantbolten spændes til. Fjern ikke den fjeder, der holder beskyttelsesskærmen. Hvis beskyttelsesskærmen i tidens løb bliver misfarvet på grund af alder eller ultraviolet stråling, bør De kontakte et Makita-servicecenter for at få en ny beskyttelsesskærm. DE MÅ ALDRIG OMGÅ ELLER AFMONTERE BESKYTTELSESSKÆRMEN.

Placering af indlægsplader (Fig. 6 og 7)

Denne maskine er udstyret med indlægsplader i drejeskiven med det formål at minimere slitage på afslutningssiden af en savning. Indlægspladerne er fra fabrikken indstillet således, at savklingen ikke kommer i berøring med indlægspladerne. Indstil indlægspladerne inden brugen på følgende måde:

Tag først maskinen ud af forbindelse. Løs alle de skruer (2 hver i venstre og højre side), som fastholder indlægspladerne. Stram kun skruerne så meget, at indlægspladerne stadig nemt kan flyttes med hånden. Sænk håndtaget helt og tryk stopstiften ind for at låse håndtaget i den nederste stilling. Løs de to spændeskruer, som fastholder skydestængerne. Træk slæden helt imod Dem. Indstil indstillingspladerne således, at de lige netop berører siderne af klingetænderne. Stram de forreste skruer (stram ikke for meget). Skub slæden helt mod anslaget og indstil indlægspladerne således, at de lige netop berører siderne af klingetænderne. Stram de bageste skruer (stram ikke for meget).

Frigør stopstiften, når indlægspladerne er indstillet og hæv håndtaget. Stram derefter alle skruerne godt til.

FORSIGTIG:

- Før og efter ændring af skråvinklen skal indlægspladerne altid indstilles som beskrevet herover.

Sikring af maksimal skæredybde (Fig. 8 og 9)

Denne maskine er på fabrikken indstillet til at give den maksimale skæredybde med en 190 mm savklinge.

Når der monteres en ny savklinge, skal den nedre grænseposition på klingens altid kontrolleres, og såfremt det er påkrævet, justeres som beskrevet herunder:

Tag først maskinen ud af forbindelse ved at trække netstikket ud. Skub slæden helt mod anslaget og sænk håndtaget fuldstændigt. Anvend en topnøgle til at dreje justeringsbolten, indtil klingeperiferien stikker en smule længere ned end overfladen på drejeskiven på det sted, hvor fronten på anslaget møder overfladen på drejeskiven.

Stadig med netstikket trukket ud, drejes savklingen med hånden, mens håndtaget holdes helt nede. Sørg for, at savklingen ikke berører nogen del af den nederste bund. Juster om nødvendigt en smule.

FORSIGTIG:

- Efter montering af en ny savklinge skal man altid sikre sig, at klingens ikke er i kontakt med nogen del af den nedre bund, når håndtaget er fuldstændig sænket. Udfør altid dette med netstikket trukket ud.

Stoparm (Fig. 10)

Klingens nedre grænseposition kan nemt indstilles med stoparmen. For at indstille den, drejes stoparmen i pilens retning som vist på illustrationen. Indstil justeringsskrue således, at klingens stopper i den ønskede position, når håndtaget sænkes helt.

Justering af geringssnit (Fig. 11)

Løsn indstillingsgrebet ved at dreje det mod uret. Drej drejeskiven, mens låsearmen holdes nede. Når grebet er flyttet til den position, hvor viseren står ud for den ønskede vinkel på vinkelskalaen, fastgøres indstillingsgrebet ved at dreje det med uret.

FORSIGTIG:

- Når drejeskiven drejes, skal håndtaget være helt hævet.
- Efter ændring af geringsvinklen, skal drejeskiven altid sikres ved at indstillingsgrebet spændes stramt til.

Justering af skråvinklen (Fig. 12 og 13)

For at justere vinklen ved skråsnit, løses håndtaget på bagsiden af maskinen i retningen mod uret.

Tryk håndtaget mod venstre for at kippe savklingen, indtil viseren står ud for den ønskede vinkel på skråsnitskalaen. Stram derefter håndtaget for at holde armen på plads.

For at kippe savklingen mod højre, skal man trykke på udløserknappen på bagsiden af maskinen, mens man kipper klingens en smule mod venstre, efter at håndtaget er frigjort. Med udløserknappen nedtrykket, kippes savklingen derefter mod højre.

FORSIGTIG:

- Når savklingen kippes, skal håndtaget altid være helt hævet.
- Efter ændring af skråvinklen skal håndtaget altid sikres ved at det strammes i retningen mod uret.
- Husk, når skråvinklerne ændres, at placere indlægspladerne korrekt som forklaret i afsnittet "Placering af indlægsplader".

Indstilling af håndtagets position (Fig. 14)

Håndtaget stilling kan skiftes ved hver vinkel 30°, hvis håndtaget ikke giver en fuldstændig stramning.

Løsn og fjern den skrue, der holder håndtaget på bagsiden af maskinen. Fjern håndtaget og monter det igen på en sådan måde, at det er en smule over niveau. Fastgør håndtaget godt med skrue.

Afbryderfunktion

FORSIGTIG:

- Før netstikket sættes i en stikkontakt, bør det altid kontrolleres, at afbryderkontakten fungerer korrekt og returnerer til "OFF"-stillingen, når den slippes.
- Når maskinen ikke anvendes, fjernes aflåseknappen og opbevares på et sikkert sted. Dette forhindrer, at uvedkommende anvender maskinen.
- Tryk ikke hårdt på afbryderkontakten uden at trykke aflåseknappen ind. Dette kan ødelægge afbryderkontakten.

For lande i Europa (Fig. 15)

For at forhindre at afbryderkontakten trykkes ind ved et uheld, er maskinen forsynet med en aflåseknep. Maskinen startes ved at man skubber håndtaget til venstre, trykker aflåseknappen ind og derefter trykker på afbryderkontakten. Slip afbryderkontakten for at stoppe.

For alle lande udenfor Europa (Fig. 16)

For at forhindre at afbryderkontakten trykkes ind ved et uheld, er maskinen udstyret med en aflåseknep. Maskinen startes ved at man, trykker aflåseknappen ind og derefter trykker på afbryderkontakten. Slip afbryderkontakten for at stoppe.

ADVARSEL:

- Anvend ALDRIG maskinen, hvis afbryderkontakten ikke fungerer som den skal. Enhver maskine med en afbryderkontakt, der ikke virker, er MEGET FARLIG og skal repareres før yderligere anvendelse.
- Af sikkerhedsårsager er denne maskine forsynet med en aflåseknep, der forhindrer utilsigtet start af maskinen. Anvend ALDRIG maskinen, hvis den kører blot ved at De trykker på afbryderkontakten, uden at der først er trykket på aflåseknappen. Indlever maskinen til et Makita servicecenter til reparation FØR yderligere anvendelse.
- De må ALDRIG tape aflåseknappen fast eller omgå aflåseknappens formål og funktion.

Tænding af lamperne (Fig. 17)

Gælder model LS0714F, LS0714FL

FORSIGTIG:

- Denne lampe er ikke vandtæt. Vask ikke lampen med vand og anvend den ikke på steder med fugt. Det kan medføre elektrisk stød og røg.
- Berør ikke lampens linse, mens lampen er tændt, og umiddelbart efter at den er slukket, da linsen er meget varm. Berøring af den varme linse kan give forbrændinger.
- Udsæt ikke lampen for voldsomme fysiske påvirkninger, da dette kan bevirke, at den lider skade og at dens levetid forkortes.
- Lad ikke lysstrålen falde direkte i øjnene. Det kan give øjensmerter eller øjenskader.
- Tildæk ikke lampen med klæde, karton, pap eller lignende materialer, mens lampen er tændt, da dette kan føre til brand.

Tryk på den øverste del af afbryderen for at tænde lyset og på den nederste del for at slukke det.

Flyt lampen for at oplyse et andet område.

BEMÆRK:

- Benyt en tør klud til at tørre snavs af lampens linse. Undgå at ridse lampens linse, da det kan medføre reduceret lysstyrke.

Anvendelse af laserstråler (Fig. 18 og 19)

Gælder model LS0714FL, LS0714L

FORSIGTIG:

- Se aldrig ind i laserstrålen. Direkte bestråling kan føre til øjenskader.
- LASERBESTRÅLING. SE IKKE IND I STRÅLEN OG BETRAGT DEN IKKE GENNEM OPTISKE INSTRUMENTER. KLASSE 2M LASERPRODUKT.

For at aktivere laserstrålen, skal De trykke på den øverste del (I) af afbryderen. Tryk på den nederste del (O) for at afbryde.

Laserlinien kan skiftes til enten venstre eller højre side af savklingen ved at man justerer skruen som vist herunder.

1. Løs justerings-skruen ved at dreje den i retningen mod uret.
2. Med justerings-skruen løsnet skydes justerings-skruen mod højre eller venstre så langt som den kan komme.
3. Stram justerings-skruen godt til i den position, hvor den holder op med at glide.

Laserlinien er på fabrikken indstillet således, at den er placeret indenfor 1 mm fra siden af klingens overflade (skæreposition).

BEMÆRK:

- Hvis laserlinien er utydelig og næsten usynlig på grund af direkte sol i det indendørs eller udendørs vindue, skal der findes et nyt arbejdssted, som ikke er udsat for direkte sol.

Indstilling af laserlinien (Fig. 20)

Laserlinien kan flyttes til enten venstre eller højre side af klingens, alt efter skæremetoden. Vi henviser til forklaringen med overskriften "Anvendelse af laserstråler" angående metoden til flytning.

BEMÆRK:

- Anvend træanlæg mod anslaget, når skærelinien sættes ud for laserlinien på siden af anslaget ved kombineret snit (skråvinkel 45 grader og geringsvinkel til højre 45 grader).
- A) Når den korrekte størrelse på venstre side af arbejdsstykket er opnået
 - Flyt laserlinien til venstre side af klingens.
 - B) Når den korrekte størrelse på højre side af arbejdsstykket er opnået
 - Flyt laserlinien til højre side af klingens.

Sæt skærelinien på arbejdsstykket på linie med laserlinien.

SAMLING

FORSIGTIG:

- Sørg altid for, at maskinen er slukket og at netledningen er taget ud af forbindelse, inden der foretages noget arbejde på selve maskinen.

Opbevaring af topnøgle (Fig. 21)

Topnøglen opbevares som vist på illustrationen. Tag topnøglen ud af nøgleholderen, når den ikke skal anvendes. Sæt den tilbage i nøgleholderen, når den ikke skal anvendes mere.

Montering og afmontering af savklingen

FORSIGTIG:

- Sørg altid for, at maskinen er slukket og taget ud af forbindelse, før savklingen monteres eller afmonteres.
- Anvend kun den topnøgle, som er leveret af Makita, til at montere og afmontere savklingen. Anvendelse af andre topnøgler kan medføre en for hård eller for let tilspænding af sekskantbolten. Dette kan medføre personskade.

Lås håndtaget i den hævede stilling ved at trykke stopstiften ind. (Fig. 22)

For at afmontere savklingen anvendes topnøglen til at løsne den sekskantbolt, der holder midterafdækningen, ved at dreje den i retningen mod uret. Løst beskyttelseskærmen og midterafdækningen. (Fig. 23)

Tryk på spindellåsen, så spindelen låses, og anvend topnøglen til at løsne sekskantbolten i retningen med uret. Fjern derefter sekskantbolten, den ydre flange og savklingen. (Fig. 24)

For at montere savklingen sættes denne på spindelen, idet De forvisser Dem om, at pilens retning på savklingen stemmer overens med pilens retning på klingehuset. Monter den ydre flange og sekskantbolten. Benyt derefter topnøglen til at spænde sekskantbolten (venstreskåret gevind) fast ved at dreje den mod uret, mens der trykkes på spindellåsen.

Sæt beskyttelseskærmen og midterafdækningen tilbage på plads. Stram dernæst sekskantbolten til i retningen med uret for at holde midterafdækningen på plads. Frigør håndtaget fra dets hævede position ved at trække i stopstiften. Sænk håndtaget for at sikre, at beskyttelseskærmen bevæger sig på korrekt vis. Sørg for, at spindellåsen er udløst, før der saves. (Fig. 25 og 26)

Støvpose (ekstraudstyr) (Fig. 27)

Anvendelse af støvposen giver et renere arbejdsmiljø og gør det nemmere at opsamle støv. Støvposen sættes på ved at posens mundstykke sættes over støvmundstykket. Når støvposen er cirka halvt fyldt, tages den af maskinen og lukkeskinnen trækkes ud. Tøm støvposen og bank let på den, så de støvpartikler, der har samlet sig på de indvendige flader og som kan nedsætte effektiviteten af støvopsamlingen, fjernes.

BEMÆRK:

Hvis De tilslutter en Makita-støvsuger til denne maskine, kan en renere og mere udsugning opnås.

Støvbeholder (ekstraudstyr) (Fig. 28, 29 og 30)

Sæt støvbeholderen ind i støvtuden.

Tøm altid støvbeholderen så hurtigt som muligt.

Støvbeholderen tømmes ved at man åbner dækslet med et tryk på knappen, hvorefter savsmuldet kan tømmes ud. Sæt dækslet tilbage til udgangsstillingen, så det låses på plads. Støvbeholderen kan nemt afmonteres ved at man trækker den ud, mens man drejer den, i nærheden af støvtuden på maskinen.

BEMÆRK:

- Hvis du slutter en Makita-støvsuger til denne maskine, vil det være muligt at udføre et mere effektivt og renere arbejde.

FORSIGTIG:

- Tøm støvbeholderen, inden niveauet af det opsamlende savsmuld har nået cylinderdelen.

Fastspænding af arbejdsstykket (Fig. 31)

ADVARSEL:

- Det er meget vigtigt altid at fastspænde arbejdsstykket godt og stramt med skruestikken. Gøres dette ikke, kan maskinen lide skade og/eller arbejdsstykket kan blive ødelagt. PERSONSKADE KAN BLIVE RESULTATET. Efter anvendelse af maskinen, må savklingen IKKE hæves, for den er stoppet fuldstændigt.

FORSIGTIG:

- Ved skæring af lange arbejdsstykker bør der benyttes oplæggerforlængere, der har samme højde som drejeskivens overflade. Forlad Dem ikke udelukkende på den lodrette og/eller vandrette skruestik, når arbejdsstykket spændes fast. Tynde materialer har en tendens til at bøje. Understøt altid et arbejdsstykke i hele dets længde, så det undgås at klingen klemmes fast med TILBAGESLAG som resultat.

Lodret skruestik (Fig. 32)

Den lodrette skruestik kan monteres i to positioner i enten den venstre eller højre side af anslaget eller holderenheden (ekstraudstyr). Sæt skruestangen ind i huller på anslaget eller holderenheden og stram skruen til for at holde skruestangen på plads.

Indstil skruearmen efter arbejdsstykkets tykkelse og form og fastspænd den ved at stramme skruen. Hvis skruen til fastspænding af skruearmen kommer i kontakt med anslaget, skal skruen monteres på den modsatte side af skruearmen. Sørg for, at ingen del af maskinen kommer i kontakt med skruestikken, når håndtaget sænkes helt og slæden skubbes eller trækkes hele vejen. Hvis nogen dele berører skruestikken, bør skruearmen genindstilles. Tryk arbejdsstykket fladt mod anslaget og drejeskiven. Juster arbejdsstykket til den ønskede skråningsposition og fastgør det ved at stramme skruenappen.

FORSIGTIG:

- Arbejdsstykket bør være helt fastspændt mod drejeskiven og anslaget med skruestikken under al arbejde.

Vandret skruestik (ekstraudstyr) (Fig. 33)

Den vandrette skruestik kan monteres enten på venstre side af bunden. Ved at dreje skruenappen i retningen mod uret, frigøres skruen og skruespindelen kan bevæges hurtigt ind og ud. Ved at dreje skruenappen i retningen med uret, holdes skruen på plads. Arbejdsstykket fastholdes ved at man drejer skruenappen forsigtigt i retningen med uret, indtil fremspringet når den øverste position. Spænd derefter godt til. Hvis skruenappen tvinges ind eller trækkes ud, mens den drejer i retningen med uret, kan fremspringet stoppe i en vinkel. I dette tilfælde skal skruenappen drejes tilbage i retningen mod uret, indtil skruen frigøres, inden den igen drejes forsigtigt i retningen med uret.

Den maksimale bredde af arbejdsstykket, som kan fastspændes med den vandrette skruestik, er 120 mm.

FORSIGTIG:

- Fastspænd kun arbejdsstykket, når fremspringet er i den øverste position. Forsømmelse af dette kan resultere i, at arbejdsmøntet ikke fastspændes ordentligt. Dette kan igen bevirke, at arbejdsstykket slynges bort, hvilket kan beskadige klingen eller medføre, at man mister kontrollen over maskinen. Dette kan resultere i PERSONSKADE.

Holdere og holderenhed (ekstraudstyr) (Fig. 34 og 35)

Holderne og holderenheden kan monteres på begge sider, hvilket er ideelt til at holde arbejdsstykket vandret. Monter dem som vist på illustrationen. Stram derefter skrueerne godt til for at fastgøre holderne og holderenheden.

Når der skæres i lange arbejdsstykker, skal holderstangen (ekstraudstyr) anvendes. Det udgøres af to holdere og to stænger.

FORSIGTIG:

- Understøt altid lange arbejdsstykker, så de holdes i plan med oversiden af drejeskiven, så der opnås præcise snit og det ikke risikeres, at operatøren mister kontrollen over maskinen.

ANVENDELSE

FORSIGTIG:

- For brugen bør håndtaget altid frigøres fra den nederste stilling ved at man trækker i stopstiften.
- Sørg for, at savklingen ikke berører emnet etc., inden maskinen startes.
- Læg ikke for meget tryk på håndtaget, når der saves. Et for kraftigt tryk kan resultere i overbelastning af motoren og/eller formindsket saveeffektivitet. Tryk kun håndtaget ned med så megen kraft, som der kræves for at udføre ubesværet savning og uden at klingens hastighed reduceres ret meget.
- Tryk forsigtigt håndtaget ned for at udføre savningen. Hvis håndtaget trykkes ned med magt, eller hvis det udsættes for sidelæns tryk, vil savklingen vibrere og efterlade mærker (savmærker) på arbejdsstykket, ligesom savningen ikke vil blive nøjagtig.
- Ved glidende snit skal slæden forsigtigt skubbes mod anslaget uden at stoppe. Hvis slæden stoppes under savningen, vil der komme et mærke på arbejdsstykket og savningen vil desuden ikke være nøjagtig.

1. Savning ved tryk (små arbejdsstykker) (Fig. 36)

Arbejdsstykker op til 50 mm i højden og 97 mm i bredden kan saves på følgende måde.

Skub slæden helt mod anslaget og stram de to spændeskruer, som holder skydestængerne, i retningen med uret for at fastspænde slæden. Fastspænd arbejdsstykket med skruestikken. Tænd for maskinen, uden at klingen kommer i kontakt, og vent til klingen er kommet op på fulde omdrejninger, inden sænkning. Sænk derefter grebet til den helt sænkede position for at skære arbejdsstykket. Når savningen er færdig, slukkes maskinen, hvorefter De skal VENTE TIL SAVKLINGEN STÅR HELT STILLE, før savbladet bringes tilbage til den helt hævede position.

FORSIGTIG:

- Stram de to spændeskruer, som holder skydestængerne, i retningen med uret, så slæden ikke flytter sig under arbejdet. Utilstrækkelig stramning kan forårsage pludseligt tilbageslag af klingen. Dette kan resultere i PERSONSKADE.

2. Savning ved gliden (tryk) (skæring af brede arbejdsstykker) (Fig. 37)

Løsn de to spændeskruer, som holder skydestængerne, i retningen mod uret, så slæden kan glide frit. Fastspænd arbejdsstykket med skruestikken. Træk slæden helt imod dig. Tænd for maskinen, uden at klingen kommer i kontakt med arbejdsstykket og vent, indtil klingen er kommet op på fuld hastighed. Tryk håndtaget ned og SKYD SLÆDEN MOD ANSLAGET OG GENNEM ARBEJDSSTYK-KET. Afbryd maskinen, når skæringen er færdig, og VENT TIL SAVKLINGEN STÅR HELT STILLE, inden De sætter klingens tilbage til den øverste position.

FORSIGTIG:

- Når der udføres savning ved gliden, skal De FØRST TRÆKKE SLÆDEN HELT IMOD DEM og trykke håndtaget ned til den nederste position og derefter SKUBBE SLÆDEN MOD ANSLAGET. BEGYND ALDRIG SKÆRINGEN, HVIS SLÆDEN IKKE ER TRUKKET HELT IMOD DEM. Hvis De udfører savning, uden at trække slæden helt imod Dem eller hvis De udfører skråsnittet i retningen mod Dem, kan der opstå pludseligt tilbage-slag af savklingen med PERSONSKADE til følge.
- Udfør aldrig savning ved gliden med håndtaget låst i den nederste position ved at trykke på stopstiften.
- Løsn aldrig spændeskruen, som fastholder slæden, mens savklingen roterer. Dette kan resultere i alvorlig tilskadekomst.

3. Geringssnit

Vi henviser til det tidligere afsnit "Justering af gerings-snit".

4. Skråsnit (Fig. 38)

Løsn armen og vip savklingen for at indstille vinklen til skråsnit. (Vi henviser til det tidligere afsnit "Justering af skråsnit".) Sørg for at spænde armen godt fast igen, så skråsnitvinklen ikke ændrer sig. Fastspænd arbejdsstykket i skruestikken. Kontroller, at slæden er trukket helt tilbage mod Dem. Tænd for maskinen uden at savklingen berører arbejdsstykket og vent, til klingens er kommet op på fulde omdrejninger. Sænk derefter forsigtigt håndtaget til den laveste position, mens der lægges tryk parallelt med savklingen og SKUB SLÆDEN MOD ANSLAGET FOR AT SKÆRE ARBEJDSSEMNET. Når skæringen er afsluttet, skal De slukke for maskinen og VENTE TIL SAVKLINGEN STÅR HELT STILLE, før savklingen bringes tilbage til dens øverste position.

FORSIGTIG:

- Sørg altid for, at klingens bevæger sig ned i skråsnittets retning, når der udføres skråsnit. Hold hænderne væk fra savklings bane.
- Når der udføres skråsnit, kan der opstå en situation, hvor det afskårne stykke hviler mod siden af savklingen. Hvis savklingen hæves, mens den stadig roterer, kan dette fraskær blive fanget i savklingen, og små stykker fraskær kan blive slynget væk, hvilket er meget farligt. Savklingen må KUN hæves, efter at den er stop-pet fuldstændigt.
- Når håndtaget trykkes ned, skal dette gøres samtidigt med at savklingen trykkes ned. Hvis trykket ikke er parallelt med savklingen under en skæring, kan savklings vinkel ændre sig, hvorved skærenøjagtigheden vil blive forringet.

5. Kombineret snit

Kombineret snit er betegnelsen for den proces, hvor der frembringes en skråvinkel, samtidig med at der laves en geringsvinkel i arbejdsstykket. Kombineret snit kan udføres i en vinkel som vist i nedenstående tabel.

Geringsvinkel	Skråvinkel
Venstre og højre 45°	Venstre 0° – 45°
Højre 50°	Venstre 0° – 40°
Højre 55°	Venstre 0° – 30°
Højre 57°	Venstre 0° – 25°

Se forklaringerne i "Savning ved tryk", "Savning ved gliden", "Gerings-snit" og "Skråsnit", når der skal udføres kombineret savning.

6. Skæring af aluminium-profiler (Fig. 39)

Når aluminium-profiler fastspændes, skal der anvendes afstandsklodser eller nogle stykker affaldstræ som vist på illustrationen for at forhindre, at aluminiumet bliver bøjet eller beskadiget. Anvend skæreoile, når der skæres aluminium-profiler, for at forhindre, at der sætter sig aluminium på savklingen.

FORSIGTIG:

- Forsøg aldrig at skære tykke eller runde aluminium-profiler. Tykke aluminium-profiler kan løse sig under arbejdet, og runde profiler kan ikke fastspændes godt nok med denne maskine.

7. Træanlæg (Fig. 40)

Anvendelse af træanlæg hjælper med til opnåelse af snit, der er fri for splinter. Fastgør et træanlæg til anslaget ved hjælp af hullerne i anslaget.

Se illustrationen angående målene for et foreslået træanlæg.

FORSIGTIG:

- Anvend et lige stykke træ med ensartet tykkelse som træanlæg.
- Anvend skruer til at montere træanlægget på anslaget. Skruerne skal anbringes således, at skruernes hoveder ikke stikker op over overfladen af træanlægget.
- Når træanlægget er monteret, må De ikke dreje bunden med håndtaget sænket. Klingens og/eller træanlægget vil i så fald lide skade.

8. Savning af ensartede længder (Fig. 41)

Når der skæres flere stykker materiale af samme længde, rækkende fra 220 mm til 385 mm, lettes bearbejdningen ved anvendelse af en indstillingsplade (ekstraudstyr). Monter indstillingspladen på holderen (ekstraudstyr) som vist på illustrationen.

Ret snitlinjen på arbejdsstykket ind efter enten den venstre eller højre side af slidsen i indlægspladen. Mens arbejdsstykket holdes ubevægeligt, bringes indstillingspladen i flugt med enden af arbejdsstykket. Fastgør derefter indstillingspladen med skruen. Når indstillingspladen ikke anvendes, løsnes skruen, og indstillingspladen drejes væk, så den ikke er i vejen.

BEMÆRK:

- Anvendelse af holderstangenheden (ekstraudstyr) muliggør savning af ensartede længder op til cirka 2 200 mm.

9. Notskæring (Fig. 42)

En skæring af frisetyper kan udføres ved at man går frem som følger:

Indstil den nedre grænseposition for klingen ved hjælp af justeringsskruen og stoparmen for at begrænse savklingens skæredybde. Se det tidligere afsnit "Stoparm".

Når klingens nedre grænseposition er indstillet, skæres parallelle noter langs arbejdsstykket med anvendelse af savning ved gliden (tryk) som vist på illustrationen. Fjern derefter materialet mellem noterne ved en mejsel. Forsøg ikke at udføre denne type skæring ved hjælp af brede (tykke) klinger eller en friseklinge. Der vil i så fald være risiko for, at De mister kontrollen over maskinen og kommer til skade.

FORSIGTIG:

- Sørg altid for at sætte stoparmen tilbage til udgangsstillingen, når De udfører andet end notskæring.

Transport af maskinen (Fig. 43 og 44)

Sørg for, at maskinen er taget ud af strømforsyning. Fastgør klingens i 0° til skråsnit og drej bunden til højre til fuld geringsvinkel. Fastgør skydestængerne efter at De har trukket slæden helt mod Dem. Sænk håndtaget helt og lås det i den nederste position ved at trykke stopstiften ind.

Bær maskinen ved at holde i begge sider af maskinens bund som vist på illustrationen. Hvis De fjerner holderne, støvposen etc. bliver det nemmere at bære maskinen.

FORSIGTIG:

- Fastgør altid alle bevægelige dele, før maskinen transporteres.
- Stopstiften er beregnet til at bruges, når maskinen bæres og ved opbevaring. Den er ikke til brug ved savning.

VEDLIGEHOVELSE

FORSIGTIG:

- Sørg altid for, at maskinen er slået fra og taget ud af forbindelse, før der udføres eftersyn eller vedligeholdelse.

ADVARSEL:

- Sørg altid for, at klingens er skarp og ren, så dens ydelse bliver bedst mulig og sikkerhedsmæssigt forsvarlig.

Indstilling af skærevinklen

Denne maskine er omhyggeligt indstillet og justeret på fabrikken, men indstillingerne kan ændre sig under transport og brug. De kan selv foretage indstillinger, som beskrevet herunder, hvis maskinen ikke er indstillet korrekt.

1. Geringsvinkel

Skub slæden mod anslaget og stram de to spændeskruer for at fastspænde slæden.

Løsn grebet, som holder drejeskiven. Drej drejeskiven, så viseren kommer til at stå ud for 0° på vinkelskalaen. Drej derefter en smule i retningen med og mod uret for at stille drejeskiven i 0° mærket. (Lad den være som den er, hvis viseren ikke står ud for 0°.) Løsn sekskantboltene, som holder anslaget, med topnøglen. (Fig. 45)

Sænk håndtaget helt og lås det i den nederste position ved at skubbe stopstiften ind. Sæt savklingens side i en ret vinkel til anlagesets forside ved hjælp af en trekantslineal, anslagsvinkel etc. fastspænd sekskantboltene på anslaget, begyndende fra højre. (Fig. 46)

Sørg for at viseren står ud for 0° på vinkelskalaen. Hvis den ikke gør det, løsnes skruen, som holder viseren, og viseren justeres. (Fig. 47)

2. Skråvinkel

1. 0° skråvinkel

Skub slæden mod anslaget og stram de to spændeskruer for at fastspænde slæden. Sænk håndtaget fuldstændigt og lås det i den laveste position ved at skubbe stopstiften ind. Løsn håndtaget på bagsiden af maskinen.

Drej justeringsbolten til justering af 0° skråvinkel på højre side af armen to eller tre gange i retningen mod uret for at hælde savklingen mod højre. (Fig. 48)

Sæt omhyggeligt savklingens side i en ret vinkel til overfladen af drejeskiven ved hjælp af en trekantslineal, anslagsvinkel etc. ved at dreje skråvinkeljusteringsbolten til 0° skråvinkel i retningen med uret. Fastspænd derefter armen godt. (Fig. 49)

Sørg for, at viseren på armen står ud for 0° på vinkelskalaen på armholderen. Hvis den ikke gør det, løsnes skruen, som holder viseren, og viseren justeres, så den står ud for 0°. (Fig. 50)

2. 45° skråvinkel

Indstil kun 45° skråvinklen efter først at have udført justeringen for 0° skråvinklen. Indstil 45° skråvinklen ved at løsne håndtaget og hælde klingens helt til venstre. Sørg for, at viseren på armen står ud for 45° på vinkelskalaen på armholderen. Hvis den ikke gør det, drejes 45° skråvinkeljusteringsbolten på højre side af armholderen, indtil viseren står ud for 45°. (Fig. 51)

Indstilling af laserliniens position (Fig. 52 og 53)

Gælder model LS0714FL, LS0714L

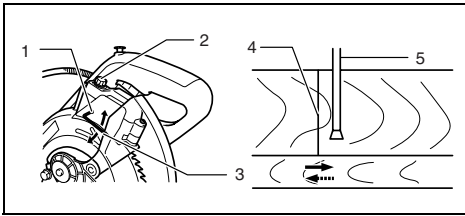
ADVARSEL:

- Da maskinen er i strømforsyning, når positionen af laserlinjen indstilles, skal der udvises den største mulige forsigtighed, specielt ved anvendelse af afbryderen. Hvis afbryderen aktiveres ved et uheld, kan maskinen starte og operatøren kan komme til skade.

FORSIGTIG:

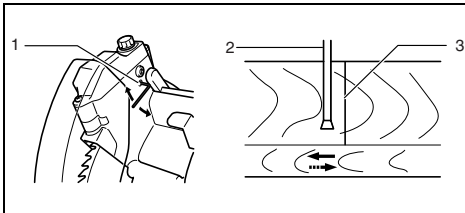
- Se aldrig direkte ind i laserstrålen. Direkte udsættelse for laserstråling er farligt for synet.
- Udsæt aldrig maskinen for stød eller fysiske påvirkninger. Dette kan bevirke, at laserliniens position bliver fejlagtig, at laserstrålens udsendingsdel beskadiges og at maskinens levetid afkortes.
- I tilfælde af fejl i laserdelen skal reparationer altid udføres af et Makita autoriseret service-center. Det er ikke tilladt at anvende en anden type laser.

Under indstilling vil laserlinien ses på venstre side af savklingen



- 1 Skruer til ændring af justeringsskruens flytbare område
- 2 Justeringsskrue
- 3 Sekskantnøgle
- 4 Laserlinie
- 5 Savklinge

Under indstilling vil laserlinien ses på højre side af savklingen



- 1 Skruer til ændring af justeringsskruens flytbare område
- 2 Savklinge
- 3 Laserlinie

Udfør følgende for begge indstillinger:

1. Kontroller, at maskinen er taget ud af forbindelse.
2. Lav skærelinien på arbejdsstykket og læg det på drejeskiven. På dette tidspunkt må arbejdsstykket ikke fastspændes med en skruestik eller en lignende fastspændingsanordning.
3. Sænk savklingen ved at sænke håndtaget og kontroller, hvor skærelinien og savklingens position er. (Bestem, hvilken position der skal skæres i på skærelinien.)
4. Når De har bestemt den position, der skal skæres, sættes håndtaget tilbage til udgangsstillingen. Fastspænd arbejdsstykket med den lodrette skruestik uden at flytte arbejdsstykket fra den forhåndskontrolerede position.
5. Tilslut maskinen og aktiver laserknappen.
6. Indstil laserliniens position som vist herunder.

Laserliniens position kan ændres i takt med at de bevægelige område for justeringsskruen for laseren ændres ved at man drejer to skrue med sekskantbolten. (Det bevægelige område for laserlinien er fabriksindstillet indenfor 1 mm fra savklingens side.)

For at flytte laserliniens bevægelige område længere væk fra savklingens side, skal De dreje de to skrue i retningen mod uret, når justeringsskruen er løsnet. Drej disse to skrue i retningen med uret for at føre den nærmere savklingens side, når justeringsskruerne er løsnet. Se afsnittet med titlen "Anvendelse af laserstråler" og indstil justeringsskruen således, at skærelinien på arbejdsstykket flugter med laserlinien.

BEMÆRK:

- Kontroller med jævne mellemrum, om positionen af laserlinien er præcis.
- Få maskinen repareret hos et servicecenter, der er autoriseret af Makita, hvis laserdelen ikke fungerer.

Udskiftning af lysstofrør (Fig. 54)

Gælder kun model LS0714F, LS0714FL

FORSIGTIG:

- Kontroller altid, at maskinen er slået fra og taget ud af forbindelse, inden lysstofrøret skiftes ud.
- Brug ikke magt, og stød eller rids ikke et lysstofrør, da det kan få glasset til at gå i stykker, hvilket igen kan bevirke, at De selv eller omkringstående personer kommer til skade.
- Lad lysstofrøret køle lidt af, inden det skiftes ud. Ellers kan De brænde Dem.

Fjern skrueene, der holder lampeboksen.

Træk lampeboksen ud, idet De bliver ved med at trykke en smule på dens øverste del som vist på illustrationen. Træk lysstofrøret ud og skift det ud med et nyt, originalt Makita-lystofrør.

Rengøring af linsen til laserlyset (Fig. 55 og 56)

Gælder model LS0714FL, LS0714L

Hvis linsen til laserlyset er blevet snavset, eller hvis savsmuld har sat sig fast på den på en sådan måde, at laserlinien ikke længere er synlig, skal De tage maskinen ud af forbindelse og rengøre laserlyset omhyggeligt med en blød, fugtig klud. Der må ikke anvendes opløsningsmidler eller petroleumsbaserede rengøringsmidler til rengøring af linsen.

Linsen til laserlyset fjernes ved at man afmonterer savklingen, inden linsen fjernes, i overensstemmelse med anvisningerne i afsnittet med titlen "Montering og afmontering af savklingen".

Løsn, men fjern ikke skruen, der holder linsen, ved hjælp af en skruetrækker.

Træk linsen ud som vist på illustrationen.

BEMÆRK:

- Hvis linsen ikke kommer ud, skal De løse skruen yderligere og trække linsen ud igen uden at fjerne skruen.

Udskiftning af kulbørsterne (Fig. 57 og 58)

Tag kulbørsterne ud og efterse dem periodisk. Kullene skal udskiftes, når de er slidt ned til slidgrænsen. Hold kulbørsterne rene, så de altid passer ind i hullerne. Begge kulbørster bør udskiftes parvis og samtidigt. Anvend kun identiske kulbørster.

Benyt en skruetrækker til at fjerne kuldækslerne. Tag de slidte kulbørster ud, sæt de nye i, og fastgør kuldækslerne.

Efter anvendelse

- Efter anvendelse aftørres spåner eller støv, der måtte klæbe til maskinen, med en klud eller lignende. Hold beskyttelsesskærmen ren som beskrevet i afsnittet "Beskyttelsesskærm". Smør de glidende dele på maskinen med olie for at forhindre rustdannelse.
- Når maskinen skal opbevares, skal slæden trækkes helt mod Dem selv, så tappene bliver sat helt ind i drejeskiven.

For at opretholde produktets sikkerhed og pålidelighed, må istandsættelse, vedligeholdelse eller justering kun udføres af et autoriseret Makita service center med anvendelse af Makita reservedele.

TILBEHØR

FORSIGTIG:

- Dette udstyr og tilbehør bør anvendes sammen med Deres Makita maskine, sådan som det er beskrevet i denne brugsanvisning. Anvendelse af andet udstyr eller tilbehør kan udgøre en risiko for personskade. Tilbehøret bør kun anvendes til det, det er beregnet til.

Hvis De behøver hjælp ved valg af tilbehør eller ønsker yderligere informationer, bedes De kontakte Deres lokale Makita service center.

- Savklinge med hårdmetalplatte
- Skruestik (vandret skruestik)
- Lodret skruestik
- Topnøgle 10
- Holder
- Holderenhed
- Holderstangenhed
- Indstillingsplade
- Støvpose
- Trekantslineal
- Aflåseknop (2 stk.)
- Lysstofrør
- Sekskantnøgle

Περιγραφή γενικής άποψης

1 Ανασταλτικός πείρος	35 Κοίλο κλειδί	64 Περισσότερο από 420 χιλ
2 Μπουλόνι	36 Εξάγωνο μπουλόνι	65 Τρύπες
3 Ρυθμιστικό μπουλόνι	37 Κάλυμμα ασφάλειας	66 Πλάκα ρύθμισης
4 Προφυλακτήρας λάμας Α	38 Ασφάλιση άξονα	67 Κόπτη αυλακώσεις με την λάμα
5 Κεφαλόβιδα	39 Βέλος	68 Τριγωνικός κανόνας
6 Σανίδα εγκοπής	40 Θήκη λάμας	69 Θήκη βραχίονα
7 Λάμα πριονιού	41 Εξάγωνο μπουλόνι (αριστερόχειρο)	70 Ρυθμιστικό μπουλόνι κωνικής γωνίας 0 μοιρών
8 Δόντια λάμας	42 Εξωτερική φλάντζα	71 Ρυθμιστικό μπουλόνι αριστερής κωνικής γωνίας 45 μοιρών
9 Αριστερή κωνική κοπή	43 Εσωτερική φλάντζα	72 Τεμάχιο εργασίας
10 Ίσια κοπή	44 Αξονίσκος	73 Γραμμική κοπής
11 Περιστροφική βάση	45 Σάκος σκόνης	74 Κατακόρυφη μέγγεννη
12 Φράχτης οδηγός	46 Στόμο σκόνης	75 Τραβήχτε έξω
13 Ανω επιφάνεια περιστροφικού τραπεζιού	47 Προσδετήρας	76 Σπρώχτε
14 Περιφέρεια λάμας	48 Υποστήριξη	77 Κουτί λάμας
15 Ρυθμιστική βίδα	49 Βραχίονας μέγγεννης	78 Βίδες
16 Ανασταλτικός βραχίονας	50 Ράβδος μέγγεννης	79 Σωλήνας φθορισμού
17 Μοχλός ασφάλισης	51 Θήκη	80 Κατσαβίδι
18 Λοξή κλίμακα	52 Σύνολο θήκης (προαιρετικό εξάρτημα)	81 Βίδα (μόνο μία)
19 Δείκτης	53 Κουμπί μέγγεννης	82 Φακοί για την λάμα λείζερ
20 Λαβή	54 Προβολή	83 Σημάδι ορίου
21 Μοχλός	55 Αξονας μέγγεννης	84 Καπάκι θήκης ψήκτρας
22 Κουμπί ελευθέρωσης	56 Βάση	85 Προφυλακτήρας λάμας Β (Για Ευρωπαϊκές χώρες)
23 Κωνική κλίμακα	57 Ράβδος 12	86 Κουτί σκόνης
24 Βραχίονας	58 Δύο βίδες σύσφιξης που ασφαλίζουν τον στύλο ολίσθησης	87 Κάλυμμα
25 Βίδα	59 Δύο βίδες σύσφιξης που ασφαλίζουν τον στύλο ολίσθησης	88 Κουμπί
26 Κουμπί κλειδώματος off	60 Μέγγεννη	89 Τμήμα κυλινδρού
27 Σκανδάλη διακόπτης	61 Τάκος διαστήματος	90 Πριονόσκηνη
28 Λαβή	62 Προεξοχή αλουμινίου	91 Προφυλακτήρας λάμας
29 Φως	63 Περισσότερο από 15 χιλ	
30 Διακόπτης φωτισμού		
31 Διακόπτης για λείζερ		
32 Θήκη κλειδιού		
33 Θήκη σωλήνα		
34 Κάλυμμα κέντρου		

ΠΡΟΔΙΑΓΡΑΦΕΣ

Μοντέλο

LS0714/LS0714F/LS0714FL/LS0714L

Διάμετρος λάμας.....	190 χιλ
Διάμετρος τρύπας (άξονα).....	20 χιλ
Μεγ. Λοξή γωνία.....	Αρ. 47° , Δεξ. 57°
Μεγ. Κωνική γωνία.....	Αρ. 45° , Δεξ. 5°
Μεγ. Ικανότητες κοπής (Υ x Π) με λάμα διαμέτρου 190 χιλ.	

Λοξή γωνία	Κωνική γωνία		
	45° (αρ.)	0°	5° (δεξ.)
0°	*45 χιλ x 265 χιλ (Σημείωση: 1)	*60 χιλ x 265 χιλ (Σημείωση: 1)	—
	40 χιλ x 300 χιλ	52 χιλ x 300 χιλ	40 χιλ x 300 χιλ
45° (αρ. και δεξ.)	*45 χιλ x 185 χιλ (Σημείωση: 2)	*60 χιλ x 185 χιλ (Σημείωση: 2)	—
	40 χιλ x 212 χιλ	52 χιλ x 212 χιλ	—
57° (δεξ.)	—	*60 χιλ x 145 χιλ (Σημείωση: 3)	—
	—	52 χιλ x 163 χιλ	—

(Σημείωση)

* σύμβολο υποδεικνύει ότι μία επικάλυψη ξύλου με το εξής πάχος χρησιμοποιείται.

1: Οταν χρησιμοποιείται επένδυση ξύλου πάχους 20 χιλ.

2: Οταν χρησιμοποιείται επένδυση ξύλου πάχους 15 χιλ.

3: Όταν χρησιμοποιείται επένδυση ξύλου πάχους 10 χιλ.	
Ταχύτητα χωρίς φορτίο (λεπ ⁻¹)	6.000
Τύπος λέιζερ (LS0714FL/L)	Κόκκινο λέιζερ 650 nm, <1mW (Τάξη Laser 2)
Διαστάσεις (Μ x Π x Υ).....	670 χιλ x 430 χιλ x 458 χιλ
Βάρος καθαρό	LS0714: 13,1 Χγρ, LS0714F: 13,4 Χγρ, LS0714FL: 13,7 Χγρ, LS0714L: 13,5 Χγρ

- Λόγω του συνεχιζόμενου προγράμματός έρευνας και ανάπτυξης, οι προδιαγραφές αυτές υπόκεινται σε αλλαγές χωρίς προειδοποίηση.
- Οι προδιαγραφές μπορεί να διαφέρουν από χώρα σε χώρα.
- Βάρος σύμφωνα με διαδικασία ΕΡΤΑ 01/2003

Προοριζόμενη χρήση

Το εργαλείο προορίζεται για ευθείες και λοξές κοπές ακριβείας σε ξύλο. Με τις κατάλληλες λάμες πριονιού, μπορεί επίσης να κόψει αλουμίνιο.

Παροχή ρεύματος

Το εργαλείο πρέπει να συνδεθεί σε παροχή ρεύματος ίδιας τάσης με αυτή που αναγράφεται στην πινακίδα του και μπορεί μόνο να λειτουργήσει με μονοφασικό εναλλασσόμενο ρεύμα. Έχει διπλή μόνωση σύμφωνα με τα Ευρωπαϊκά Πρότυπα και έτσι μπορεί να χρησιμοποιηθεί σε ρευματοδότες χωρίς γείωση.

Υποδείξεις ασφάλειας

Για την προσωπική σας ασφάλεια, ανατρέξτε στις εσώκλειστες οδηγίες ασφάλειας.

ΠΡΟΣΘΕΤΟΙ ΚΑΝΟΝΕΣ ΑΣΦΑΛΕΙΑΣ ΓΙΑ ΤΟ ΕΡΓΑΛΕΙΟ

ENB034-3

1. Φοράτε προστατευτικά οφθαλμών.
2. Κρατάτε τα χέρια μακριά από την τροχιά της λάμας πριονιού. Αποφύγετε επαφή και με λάμες μικρής ταχύτητας. Μπορεί επίσης να προκαλέσουν σοβαρό τραυματισμό.
3. Μη χειρίζεστε το εργαλείο χωρίς τους προφυλακτήρες στη θέση τους. Ελέγξτε τον προφυλακτήρα λάμας για κανονικό κλείσιμο πριν από κάθε χρήση. Μη λειτουργείτε το πριόνι εάν ο προφυλακτήρας λάμας δεν κινείται ελεύθερα και δεν κλείνει αμέσως. Ποτέ μη σφίξετε ή δέσετε τον προφυλακτήρα λάμας στη θέση ανοιγματος.
4. Μην εκτελείτε καμιά λειτουργία στο χέρι. Το αντικείμενο εργασίας πρέπει να είναι ασφαλισμένο σταθερά στην περιστροφική βάση και στον φράκτη οδηγό με την μέγγηλη σε κάθε λειτουργία. Ποτέ μη χρησιμοποιείτε το χέρι σας για να ασφαλίσετε το αντικείμενο εργασίας.
5. Ποτέ μην αγγίζετε τη λάμα πριονιού.
6. Σταματείστε το εργαλείο και περιμένετε για τη λάμα πριονιού να σταματήσει πριν μετακινήσετε το αντικείμενο εργασίας ή αλλάξετε τις ρυθμίσεις.
7. Αποσυνδέστε το εργαλείο πριν αλλάξετε λάμα ή κάνετε συντήρηση.
8. Πάντοτε ασφαλίστε όλα τα κινούμενα τμήματα πριν μεταφέρετε το εργαλείο.
9. Ο πείρος αναστολής που κλειδώνει την κεφαλή του κόπτη κάτω είναι μόνο για τον σκοπό μεταφοράς και αποθήκευσης και όχι για λειτουργίες κοπής.
10. Μη χρησιμοποιείτε το εργαλείο όταν υπάρχουν κοντά εύφλεκτα υγρά ή αέρια.
11. Ελέγχετε την λάμα προσεκτικά για ρωγμές ή ζημιές πριν την λειτουργία. Αντικαταστήστε αμέσως μία λάμα με ρωγμές ή ζημιές.
12. Χρησιμοποιείτε μόνο τις ειδικές φλάντζες για το εργαλείο αυτό.
13. Προσέξτε να μη κάνετε ζημιά στην άτρακτο, φλάντζες (ειδικά στην επιφάνεια εγκατάστασης) ή στο μπουλόνι.
14. Βεβαιώστε ότι η περιστροφική βάση είναι κατάλληλα ασφαλισμένη, ώστε να μη μετακινήσει κατά την λειτουργία.
15. Για την ασφάλειά σας, αφαιρέστε τα αποκοπίδια, μικρά τεμάχια, κλπ. από το τραπέζι πριν την λειτουργία.
16. Αποφύγετε την κοπή καρφιών. Ελέγξτε και αφαιρέστε όλα τα καρφιά από το αντικείμενο εργασίας πριν την λειτουργία.
17. Βεβαιώστε ότι ο άξονας ασφάλισης είναι ελεύθερος πριν ενεργοποιήσετε τον διακόπτη.
18. Βεβαιώστε ότι η λάμα δεν αγγίζει την περιστροφική βάση στην κατώτατη θέση.
19. Κρατάτε σταθερά τη λαβή. Έχετε υπόψη σας ότι το πριόνι κινείται πάνω και κάτω ελαφρά κατά το ξεκίνημα και το σταμάτημα.
20. Βεβαιώστε ότι η λάμα δεν αγγίζει το αντικείμενο εργασίας πριν την ενεργοποίηση του διακόπτη.
21. Πριν χρησιμοποιήσετε το εργαλείο στο πραγματικό αντικείμενο εργασίας, αφήστε το να τρέξει για λίγο. Παρακολουθείστε το για κραδασμούς ή ταλαντεύσεις που μπορεί να δείχνουν κακή εγκατάσταση ή κακή ισοζύγηση λάμας.
22. Περιμένετε μέχρι η λάμα να αποκτήσει πλήρη ταχύτητα πριν αρχίσετε να κόβετε.
23. Σταματήστε αμέσως την λειτουργία εάν παρατηρήσετε κάτι αφύσικο.
24. Μη προσπαθήσετε να κλειδώσετε την σκανδάλη στη θέση ON.
25. Να είστε πάντοτε σε κατάσταση ετοιμότητας, ιδιαίτερα όταν κάνετε επαναληπτικές και μονότονες εργασίες. Μην ξεγελαστείτε ποτέ ότι βρήκατε σε κατάσταση ασφάλειας. Οι λάμες είναι υπερβολικά αδυσώπητες.
26. Πάντοτε χρησιμοποιείτε τα ανταλλακτικά που συνιστώνται στο εγχειρίδιο αυτό. Χρήση ακατάλληλων ανταλλακτικών όπως λιπαντικών τροχών μπορεί να προκαλέσουν τραυματισμό.
27. Μη χρησιμοποιείτε το πριόνι για να κόψετε οτιδήποτε άλλο εκτός από αλουμίνιο, ξύλο ή παρόμοια υλικά.
28. Συνδέστε το πριόνι λοξότμησης σε μία συσκευή συλλογής σκόνης όταν πριονίζετε.
29. Επιλέξτε τις λάμες πριονιού ανάλογα με το υλικό που πρόκειται να κοπεί.

30. Προσέχετε όταν κάνετε εγκοπές.
31. Αντικαταστήστε την πλάκα εγκοπής όταν παρουσιάσει φθορά.
32. Μη χρησιμοποιείτε λάμες πριονιού κατασκευασμένες από ατσάλι υψηλής ταχύτητας.
33. Σκόνη προερχόμενη από την λειτουργία περιέχει χημικά τα οποία είναι γνωστά καρκινογόνα, προκαλούν γεννητικές δυσμορφίες ή άλλη αναπαραγωγική ζημιά. Μερικά παραδείγματα των χημικών αυτών είναι:
- μόλυβδος από υλικά χρωματισμένα με ουσίες με βάση τον μόλυβδο
 - αρσενικό και χρώμιο από χημικούς επεξεργασμένη ξυλεία.
- Ο κίνδυνος από την έκθεση στις ουσίες αυτές διαφέρει, εξαρτώμενος από πόσο συχνά κάνετε το είδος αυτό της εργασίας. Για να μειώσετε την έκθεσή σας στα χημικά αυτά: εργάζεστε σε μία πολύ καλά αεριζόμενη αίθουσα και εργάζεστε με χρησιμοποίηση εγκεκριμένων εφοδίων ασφάλειας όπως π.χ. με εκείνες τις μάσκες σκόνης που είναι ειδικά σχεδιασμένες να συγκρατούν μικροσκοπικά σωματίδια.
34. Για την μείωση του προκαλούμενου θορύβου, πάντοτε σιγουρεύεστε ότι η λεπίδα είναι ακονισμένη και καθαρή.
35. Ο χρήστης είναι επαρκώς εκπαιδευμένος στην χρήση, ρύθμιση και λειτουργία του εργαλείου.
36. Χρησιμοποιείτε σωστά ακονισμένες λεπίδες πριονιού. Τηρείτε την μέγιστη ταχύτητα που είναι σημειωμένη στην λεπίδα πριονιού.
37. Μην αφαιρείτε αποκόμματα ή άλλα μέρη του αντικειμένου εργασίας από την περιοχή κοπής ενώ το εργαλείο λειτουργεί και η κεφαλή του πριονιού δεν βρίσκεται στην θέση ακινητοποίησης.

ΦΥΛΑΞΤΕ ΤΙΣ ΟΔΗΓΙΕΣ ΑΥΤΕΣ.

ΕΓΚΑΤΑΣΤΑΣΗ

Τοποθέτηση στον πάγκο

Όταν το εργαλείο αποστέλλεται, η λαβή είναι κλειδωμένη στην κάτω θέση κοντά στον ανασταλτικό πείρο. Ελευθερώστε τον ανασταλτικό πείρο χαμηλώνοντας ελαφρά την λαβή και τραβώντας τον ανασταλτικό πείρο. **(Εικ. 1)**

Αυτό το εργαλείο πρέπει να βιδωθεί με δύο μπουλόνια σε μία επίπεδο και σταθερή επιφάνεια χρησιμοποιώντας τις τρύπες μπουλονιών που παρέχονται στην βάση του εργαλείου. **(Εικ. 2)**

Γυρίστε το ρυθμιστικό μπουλόνι δεξιόστροφα ή αριστερόστροφα έτσι ώστε να έρθει σε επαφή με την επιφάνεια του πατώματος για να κρατάει το εργαλείο σταθερό. **(Εικ. 3)**

ΛΕΙΤΟΥΡΓΙΚΗ ΠΕΡΙΓΡΑΦΗ

ΠΡΟΣΟΧΗ:

- Πάντοτε βεβαιώνετε ότι το εργαλείο είναι σβηστό και αποσυνδεδεμένο πριν ρυθμίσετε ή ελέγξετε κάποια λειτουργία στο εργαλείο.

Προφυλακτήρας λάμας (Εικ. 4 και 5)

Για όλες τις χώρες εκτός των Ερωπαϊκών

Όταν χαμηλώνετε την λαβή, ο προφυλακτήρας λάμας ανυψώνεται αυτόματα. Ο προφυλακτήρας έχει ελατήρια ώστε να επιστρέφει στην αρχική του θέση όταν η κοπή έχει συμπληρωθεί και η λαβή έχει ανυψωθεί. ΠΟΤΕ ΜΗΝ ΕΞΟΥΔΕΤΕΡΩΝΕΤΕ Η ΑΦΑΙΡΕΙΤΕ ΤΟΝ ΠΡΟΦΥΛΑΚΤΗΡΑ ΛΑΜΑΣ Η ΤΟ ΕΛΑΤΗΡΙΟ ΠΟΥ ΕΙΝΑΙ ΠΡΟΣΑΡΜΟΣΜΕΝΟ ΣΤΟΝ ΠΡΟΦΥΛΑΚΤΗΡΑ.

Για χάρη της προσωπικής σας ασφάλειας, πάντοτε διατηρείτε τον προφυλακτήρα λάμας σε καλή κατάσταση. Οποιαδήποτε αντικανονική εργασία του προφυλακτήρα πρέπει να διορθώνεται αμέσως. Ελέγξτε να βεβαιωθείτε για την δράση του ελατηρίου επαναφοράς του προφυλακτήρα. ΠΟΤΕ ΜΗ ΧΡΗΣΙΜΟΠΟΙΕΙΤΕ ΤΟ ΕΡΓΑΛΕΙΟ ΕΑΝ Ο ΠΡΟΦΥΛΑΚΤΗΡΑΣ Η ΤΟ ΕΛΑΤΗΡΙΟ ΕΧΟΥΝ ΖΗΜΙΑ. ΒΛΑΒΗ Η ΕΧΟΥΝ ΑΦΑΙΡΕΘΕΙ. ΕΑΝ ΤΟ ΚΑΝΕΤΕ ΕΙΝΑΙ ΠΟΛΥ ΕΠΙΚΙΝΔΥΝΟ ΚΑΙ ΜΠΟΡΕΙ ΝΑ ΠΡΟΚΑΛΕΣΕΙ ΣΟΒΑΡΟ ΠΡΟΣΩΠΙΚΟ ΤΡΑΥΜΑΤΙΣΜΟ.

Για χώρες της Ευρώπης

Όταν χαμηλώνετε τη λαβή, ο προφυλακτήρας λάμας Α ανυψώνεται αυτόματα. Ο προφυλακτήρας λάμας Β ανυψώνεται καθώς έρχεται σε επαφή με το τεμάχιο εργασίας. Οι προφυλακτήρες είναι εφοδιασμένοι με ελατήρια, έτσι επανέρχονται στην αρχική θέση τους όταν ολοκληρωθεί η τομή και ανυψωθεί η λαβή. ΜΗΝ ΠΑΡΕΜΠΟΔΙΖΕΤΕ ΚΑΙ ΜΗΝ ΑΦΑΙΡΕΙΤΕ ΤΟΥΣ ΠΡΟΦΥΛΑΚΤΗΡΕΣ ΛΑΜΑΣ Ή ΤΟ ΕΛΑΤΗΡΙΟ ΤΟ ΟΠΟΙΟ ΠΡΟΣΑΡΜΟΣΖΕΤΑΙ ΣΤΟΝ ΠΡΟΦΥΛΑΚΤΗΡΑ.

Για λόγους προσωπικής ασφάλειας, να διατηρείτε πάντα κάθε προφυλακτήρα λάμας σε καλή κατάσταση. Οποιαδήποτε αντικανονική λειτουργία των προφυλακτών λάμας πρέπει να διορθώνεται αμέσως. Ελέγξτε για να βεβαιωθείτε για την δράση επαναφοράς των εφοδιασμένων με ελατήρια προφυλακτών. ΜΗΝ ΧΡΗΣΙΜΟΠΟΙΕΙΤΕ ΠΟΤΕ ΤΟ ΕΡΓΑΛΕΙΟ ΕΑΝ ΟΙ ΠΡΟΦΥΛΑΚΤΗΡΕΣ ΛΑΜΑΣ Ή ΤΟ ΕΛΑΤΗΡΙΟ ΕΧΟΥΝ ΥΠΟΣΤΕΙ ΖΗΜΙΑ, ΕΙΝΑΙ ΕΛΑΤΤΩΜΑΤΙΚΑ Ή ΕΧΟΥΝ ΑΦΑΙΡΕΘΕΙ. ΕΑΝ ΤΟ ΚΑΝΕΤΕ ΑΥΤΟ ΕΙΝΑΙ ΕΞΑΙΡΕΤΙΚΑ ΕΠΙΚΙΝΔΥΝΟ ΚΑΙ ΕΙΝΑΙ ΔΥΝΑΤΟ ΝΑ ΠΡΟΚΑΛΕΣΕΙ ΣΟΒΑΡΟ ΠΡΟΣΩΠΙΚΟ ΤΡΑΥΜΑΤΙΣΜΟ.

Εάν ο διαφανής προφυλακτήρας λάμας ρυπανθεί, ή πριονόσκονη κολλήσει πάνω του έτσι ώστε η λάμα δεν είναι εύκολα ορατή, αποσυνδέστε το πριόνι και καθαρίστε τον προφυλακτήρα προσεκτικά με ένα υγρό ύφασμα. Μη χρησιμοποιήσετε διαλύτες ή απορρυπαντικά με βάση πετρέλαιο στον πλαστικό προφυλακτήρα.

Εάν ο προφυλακτήρας λάμας έχει ρυπανθεί ιδιαίτερα και είναι δύσκολο να δει κανείς μέσω του προφυλακτήρα, χρησιμοποιείστε το παρεχόμενο κοίλο κλειδί να χαλαρώσετε το εξάγωνο μπουλόνι που συγκρατεί το κάλυμμα κέντρου. Χαλαρώστε το εξάγωνο μπουλόνι στρίβοντας το αριστερόστροφα και σηκώστε τον προφυλακτήρα λάμας και το κάλυμμα κέντρου. Με τον προφυλακτήρα λάμας στην θέση αυτή το καθάρισμα γίνεται καλύτερα και επαρκέστερα. Όταν ολοκληρωθεί το καθάρισμα, αντιστρέψτε την παραπάνω διαδικασία και ασφαλίστε το μπουλόνι. Μην αφαιρέσετε τον ελατηριούχο προφυλακτήρα λάμας. Εάν ο προφυλακτήρας αποχρωματισθεί από τον χρόνο ή από έκθεση σε υπερύθρη ακτινοβολία, αποπλανθείτε σε ένα κέντρο εξυπηρέτησης Μάκτα για νέο προφυλακτήρα. ΜΗΝ ΕΞΟΥΔΕΤΕΡΩΣΕΤΕ Η ΑΦΑΙΡΕΣΕΤΕ ΤΟΝ ΠΡΟΦΥΛΑΚΤΗΡΑ.

Τοποθέτηση της σανίδας εγκοπής (Εικ. 6 και 7)

Αυτό το εργαλείο είναι εφωδιασμένο με τις σανίδες εγκοπών στην περιστροφική βάση του για να ελαχιστοποιεί το σχίσμο στην πλευρά εξόδου κοπής. Οι σανίδες εγκοπών είναι εργοστασιακά ρυθμισμένες έτσι ώστε η λάμα πριονιού δεν κάνει επαφή με τις σανίδες εγκοπών. Πριν από την χρήση, ρυθμίστε τις σανίδες εγκοπών ως εξής:

Πρώτα, αποσυνδέστε το εργαλείο. Χαλαρώστε όλες τις βίδες (από 2 στα αριστερά και δεξιά) που ασφαλίζουν τις σανίδες εγκοπών. Ξανασφίχτε τις βίδες έτσι ώστε οι σανίδες εγκοπών να μπορούν να κινηθούν με το χέρι. Χαμηλώστε την λαβή πλήρως και σπρώχτε μέσα τον ανασταλτικό πείρο για να κλειδώσει την λαβή στην κάτω θέση. Χαλαρώστε τις δύο βίδες σύσφιξης που ασφαλίζουν τις ράβδους ολίσθησης. Τραβήχτε την κινητή βάση πίσω στο μέρος σας πλήρως. Ρυθμίστε τις σανίδες εγκοπών έτσι ώστε μόλις να αγγίζουν τις πλευρές των δοντιών της λάμας. Σφίχτε τις εμπρόσθιες βίδες (μη τις σφίξετε πολύ). Σπρώχτε την κινητή βάση προς τον φράχτη οδηγό πλήρως και ρυθμίστε τις σανίδες εγκοπών έτσι ώστε μόλις να αγγίζουν τις πλευρές των δοντιών της λάμας. Σφίχτε τις πίσω βίδες βίδες (μη τις σφίξετε πολύ).

Μετά την ρύθμιση των σανίδων εγκοπών, ελευθερώστε τον ανασταλτικό πείρο και σηκώστε την λαβή. Μετά σφίχτε όλες τις βίδες με ασφάλεια.

ΠΡΟΣΟΧΗ:

- Πριν και μετά την αλλαγή της κωνικής γωνίας, πάντοτε ρυθμίστε τις σανίδες εγκοπών όπως περιγράφηκε παραπάνω.

Διατήρηση μέγιστης ικανότητας κοπής (Εικ. 8 και 9)

Αυτό το εργαλείο είναι εργοστασιακά ρυθμισμένο για να παρέχει την μέγιστη ικανότητα κοπής για μία λάμα πριονιού 190 χιλ.

Όταν τοποθετείτε μία νέα λάμα, πάντοτε ελέγχετε την κάτω οριακή θέση της λάμας, και εάν είναι απαραίτητο, ρυθμίστε ως εξής:

Πρώτα, αποσυνδέστε το εργαλείο. Τραβήχτε την κινητή βάση προς το φράχτη οδηγό πλήρως και χαμηλώστε εντελώς την λαβή. Χρησιμοποιείστε το κοίλο κλειδί για να γυρίσετε το ρυθμιστικό μπουλόνι μέχρι η περιφέρεια της λάμας να εκτείνεται ελαφρά κάτω από την άνω επιφάνεια της περιστροφικής βάσης στο σημείο όπου η εμπρόσθια όψη του

φράκτη οδηγού συναντά την άνω επιφάνεια της περιστροφικής βάσης.

Με το εργαλείο αποσυνδεδεμένο, περιστρέψτε την λάμα με το χέρι ενώ κρατάτε την λαβή εντελώς κάτω ώστε να είναι σίγουρο ότι η λάμα δεν κάνει επαφή με κανένα τμήμα της κάτω βάσης. Επαναρυθμίστε ελαφρά, εάν είναι απαραίτητο.

ΠΡΟΣΟΧΗ:

- Αφού τοποθετήσετε μία νέα λάμα, πάντοτε βεβαιώνετε ότι η λάμα δεν κάνει επαφή με κανένα τμήμα της κάτω βάσης όταν η λαβή είναι εντελώς χαμηλωμένη. Πάντοτε να το κάνετε με το εργαλείο αποσυνδεδεμένο.

Ανασταλτικός βραχίονας (Εικ. 10)

Η θέση κάτω ορίου της λάμας μπορεί εύκολα να ρυθμιστεί με τον ανασταλτικό βραχίονα. Για την ρύθμισή του, μετακινήστε τον ανασταλτικό βραχίονα κατά την διεύθυνση του βέλους όπως φαίνεται στην εικόνα. Ρυθμίστε την ρυθμιστική βίδα έτσι ώστε η λάμα σταματά στην επιθυμητή θέση όταν η λαβή χαμηλώνεται εντελώς.

Ρύθμιση της λοξής γωνίας (Εικ. 11)

Χαλαρώστε την λαβή στρίβοντας την αριστερόστροφα. Γυρίστε την περιστροφική βάση ενώ πιέζετε προς τα κάτω τον μοχλό ασφάλισης. Όταν έχετε μετακινήσει την λαβή στην θέση που ο δείκτης δείχνει την επιθυμητή γωνία στην λοξή κλίμακα, σφίχτε με ασφάλεια την λαβή δεξιόστροφα.

ΠΡΟΣΟΧΗ:

- Όταν στρέφετε την περιστροφική βάση, βεβαιώνετε ότι σηκώνετε την λαβή πλήρως.
- Αφού αλλάξετε την λοξή γωνία, πάντοτε ασφαλίστε την περιστροφική βάση σφίγγοντας την λαβή σταθερά.

Ρύθμιση της κωνικής γωνίας (Εικ. 12 και 13)

Για να ρυθμίσετε την κωνική γωνία, χαλαρώστε τον μοχλό στο πίσω μέρος του εργαλείου αριστερόστροφα.

Σπρώχτε την λαβή στα αριστερά, να δώσετε κλίση στην λάμα πριονιού μέχρι ο δείκτης δείχνει την επιθυμητή γωνία στην κωνική κλίμακα. Μετά σφίχτε τον μοχλό σταθερά δεξιόστροφα να ασφαλίσετε τον βραχίονα.

Για να δώσετε κλίση στην λαβή προς τα δεξιά, σπρώχτε το κουμπί ελευθέρωσης στο πίσω μέρος του εργαλείου ενώ κλίνετε την λαβή ελαφρά στα αριστερά αφού χαλαρώσετε τον μοχλό. Με το κουμπί ελευθέρωσης πατημένο, δώστε κλίση στην λάμα προς τα δεξιά.

ΠΡΟΣΟΧΗ:

- Όταν δίνετε κλίση στην λάμα πριονιού, βεβαιώνετε ότι σηκώνετε την λαβή πλήρως.
- Αφού αλλάξετε την κωνική γωνία, πάντοτε ασφαλίστε την περιστροφική βάση σφίγγοντας την λαβή σταθερά.
- Όταν αλλάξετε κωνικές γωνίες, βεβαιώνετε ότι τοποθετείτε τις σανίδες εγκοπών κατάλληλα όπως εξηγείται στο εδάφιο "Τοποθέτηση της σανίδας εγκοπής".

Ρύθμιση της θέσης μοχλού (Εικ. 14)

Ο μοχλός μπορεί να επανατοποθετείται σε κάθε γωνία 30° όταν ο μοχλός δεν παρέχει πλήρη σφίξιμο.

Χαλαρώστε και αφαιρέστε την βίδα που ασφαλίζει τον μοχλό στο πίσω μέρος του εργαλείου. Αφαιρέστε τον μοχλό και τοποθετήστε τον πάλι έτσι ώστε είναι ελαφρά πάνω από το επίπεδο. Ασφαλίστε τον μοχλό με την βίδα σταθερά.

Δράση διακόπτη

ΠΡΟΣΟΧΗ:

- Πριν συνδέσετε στο ρεύμα το εργαλείο. Πάντοτε ελέγχετε να δείτε ότι η σκανδάλη διακόπτης ενεργοποιείται κανονικά και επιστρέφει στην θέση “OFF” όταν ελευθερώνεται.
- Όταν δεν χρησιμοποιείτε το εργαλείο, αφαιρέστε το κουμπί κλειδώματος off και αποθηκεύστε το σε μία ασφαλή θέση. Αυτό εμποδίζει την λειτουργία χωρίς άδεια.
- Μη τραβάτε την σκανδάλη διακόπτη σκληρά χωρίς να πιέσετε μέσα το κουμπί κλειδώματος off. Αυτό μπορεί να προκαλέσει σπάσιμο του διακόπτη.

Για χώρες της Ευρώπης (Εικ. 15)

Για να εμποδιστεί το τυχαίο τράβηγμα της σκανδάλης διακόπτη, ένα κουμπί κλειδώματος - off παρέχεται. Για να ξεκινήσει το εργαλείο, σπρώχτε τον μοχλό στα αριστερά, πατήστε μέσα το κουμπί κλειδώματος - off και μετά πατήστε την σκανδάλη διακόπτη. Ελευθερώστε την σκανδάλη διακόπτη για να σταματήσει.

Για όλες τις χώρες εκτός των Ερωπαϊκών (Εικ. 16)

Για να εμποδιστεί το τυχαίο τράβηγμα της σκανδάλης διακόπτη, ένα κουμπί κλειδώματος - off παρέχεται. Για να ξεκινήσει το εργαλείο, πατήστε μέσα το κουμπί κλειδώματος - off και πατήστε την σκανδάλη διακόπτη. Ελευθερώστε την σκανδάλη διακόπτη για να σταματήσει.

ΠΡΟΕΙΔΟΠΟΙΗΣΗ:

- ΠΟΤΕ μη χρησιμοποιείτε το εργαλείο εάν η σκανδάλη διακόπτης δεν είναι σε άριστη κατάσταση λειτουργίας. Οποιοδήποτε εργαλείο με ελαττωματικό διακόπτη είναι ΕΞΑΙΡΕΤΙΚΑ ΕΠΙΚΙΝΔΥΝΟ και πρέπει να επισκευαστεί πριν περαιτέρω χρήση.
- Για την ασφάλειά σας, αυτό το εργαλείο είναι εφωδιασμένο με ένα κουμπί κλειδώματος - off το οποίο εμποδίζει το εργαλείο να ξεκινήσει τυχαίως. ΠΟΤΕ μη χρησιμοποιείτε το εργαλείο εάν λειτουργεί με απλό τράβηγμα της σκανδάλης διακόπτη χωρίς να πατήσετε το κουμπί κλειδώματος - off. Επιστρέψτε το εργαλείο στο κέντρο Εξυπηρέτησης Μάκιτα για κατάλληλες επισκευές ΠΡΙΝ από περαιτέρω χρήση.
- ΠΟΤΕ μην κρατάτε κάτω με ταινία ή ελαστικό τεντώνετε τον σκοπό και την λειτουργία του κουμπιού κλειδώματος off.

Αναμμα των λαμπών (Εικ. 17)

Για μοντέλα LS0714F, LS0714FL

ΠΡΟΣΟΧΗ:

- Αυτό το φως δεν είναι αδιάβροχο. Μη πλένετε το φως σε νερό ή το χρησιμοποιείτε στην βροχή ή σε υγρή περιοχή. Τέτοια μεταχείριση θα προκαλέσει ηλεκτροπληξία και καπνούς.
- Μην αγγίζετε τους φακούς του φωτός, καθώς είναι πολύ θερμό όταν είναι αναμμένο ή αμέσως αφού σβήσει. Αυτό μπορεί να προκαλέσει εγκαύματα στο ανθρώπινο σώμα.
- Μη προκαλείτε χτυπήματα στο φως, γιατί μπορεί να πάθει ζημιά ή να επιβραχυνθεί η ωφέλιμη ζωή του.
- Μη ρίχνετε την ακτίνα φωτός στα μάτια σας. Αυτό μπορεί να προκαλέσει τραυματισμό στα μάτια σας.
- Μη καλύπτετε το φως με ρούχα, χαρτόνι, χαρτοσανίδια ή παρόμοια αντικείμενα ενώ είναι αναμμένο, γιατί μπορεί να προκληθεί φωτιά ή ανάφλεξη.

Σπρώχτε την πάνω θέση του διακόπτη για να ανάψετε το φως και την κάτω θέση για να το σβήσετε.

Μετακινήστε το φως για να αλλάξετε την περιοχή φωτισμού.

ΣΗΜΕΙΩΣΗ:

- Χρησιμοποιείτε ένα στεγνό ύφασμα να σκουπίσετε τους ρύπους από τους φακούς της λάμπας. Προσέχετε να μη γρατσουνίσετε τους φακούς του φωτός γιατί θα ελαττωθεί ο φωτισμός.

Ενέργεια ακτίνας λέιζερ (Εικ. 18 και 19)

Για μοντέλα LS0714FL, LS0714L

ΠΡΟΣΟΧΗ:

- Ποτέ μη κυττάτε μέσα στην ακτίνα λέιζερ. Απευθείας κύτταγμα της ακτίνας λέιζερ θα τραυματίσει τα μάτια σας.
- ΑΚΤΙΝΟΒΟΛΙΑ ΛΕΙΖΕΡ, ΜΗ ΚΥΤΤΑΤΕ ΜΕΣΑ ΣΤΗΝ ΑΚΤΙΝΑ Ή ΒΛΕΠΕΤΕ ΑΠΕΥΘΕΙΑΣ ΜΕ ΟΠΤΙΚΟ ΟΡΓΑΝΟ, ΠΡΟΪΟΝ ΛΕΙΖΕΡ ΤΑΞΕΩΣ 2M.

Για να ανάψετε την ακτίνα λέιζερ, πατήστε την άνω θέση (I) του διακόπτη. Πατήστε την κάτω θέση (O) του διακόπτη για να την σβήσετε.

Η γραμμική λέιζερ μπορεί να μετακινηθεί είτε στην αριστερή είτε στην δεξιά πλευρά της λάμπας προιονού ρυθμίζοντας την ρυθμιστική βίδα ως εξής:

1. Χαλαρώστε την ρυθμιστική βίδα γυρίζοντας την αριστερόστροφα.
2. Με την ρυθμιστική βίδα χαλαρωμένη, σύρτε την στα δεξιά ή αριστερά όσο βαθιά μπορεί να πάει.
3. Σφίχτε την ρυθμιστική βίδα σταθερά στην θέση όπου απαιτείται να ολισθαίνει.

Η γραμμική λέιζερ είναι ρυθμισμένη από το εργοστάσιο να είναι τοποθετημένη σε 1 χιλ από την πλευρική επιφάνεια της λάμπας (θέση κοπής).

ΣΗΜΕΙΩΣΗ:

- Όταν η γραμμή λέιζερ είναι θαμπή και σχεδόν ή εντελώς άορατη λόγω του απευθείας ηλιακού φωτός σε παράθυρο εσωτερικού ή εξωτερικού χώρου εργασίας, μετακινείστε την θέση εργασίας σε μέρος που δεν υπόκειται στο απευθείας ηλιακό φως.

Ευθυγράμμιση της γραμμής λέιζερ (Εικ. 20)

Η γραμμή λέιζερ μπορεί να μετακινηθεί στην αριστερή ή στην δεξιά πλευρά της λάμας σύμφωνα με τις εφαρμογές κοπής. Ανατρέξτε στις εξηγήσεις του εδαφίου με τίτλο “Ενέργεια ακτίνας λέιζερ” σχετικά με την μέθοδο μετακίνησης.

ΣΗΜΕΙΩΣΗ:

- Χρησιμοποιείστε επένδυση ξύλου στον φράκτι οδηγό όταν ευθυγραμμίζετε την γραμμή κοπής με την γραμμή λέιζερ στην πλευρά του φράκτι οδηγού σε σύνθετες κοπές (κωνική γωνία 45 μοιρών και λοξή δεξιά γωνία 45 μοιρών).
- A) Όταν πετυχαίνετε σωστό μέγεθος στην αριστερή πλευρά του τεμαχίου εργασίας
- Μετακινείστε την γραμμή λέιζερ στα αριστερά της λάμας.
- B) Όταν πετυχαίνετε σωστό μέγεθος στην δεξιά πλευρά του τεμαχίου εργασίας
- Μετακινείστε την γραμμή λέιζερ στα δεξιά της λάμας.

Ευθυγραμμίστε την γραμμή κοπής στο τεμάχιο εργασίας σας με την γραμμή λέιζερ.

ΣΥΝΟΛΟ

ΠΡΟΣΟΧΗ:

- Πάντοτε βεβαιώνετε ότι το εργαλείο είναι σβηστό και αποσυνδεδεμένο πριν εκτελέσετε οποιαδήποτε εργασία στο εργαλείο.

Αποθήκευση κοίλου κλειδιού (Εικ. 21)

Το κοίλο κλειδί αποθηκεύεται όπως φαίνεται στην εικόνα. Όταν χρησιμοποιείτε το κοίλο κλειδί, τραβήχτε το έξω από την θήκη του. Μετά την χρήση του, επαναφέρετε το στην θήκη κλειδιού.

Τοποθέτηση ή αφαίρεση της λάμας πριονιού

ΠΡΟΣΟΧΗ:

- Πάντοτε βεβαιώνετε ότι το εργαλείο είναι σβηστό και αποσυνδεδεμένο πριν τοποθετήσετε ή αφαιρέσετε την λάμα.
- Χρησιμοποιείτε μόνο το παρεχόμενο κοίλο κλειδί Μάκιτα για να τοποθετήσετε ή αφαιρέσετε την λάμα. Διαφορετικά μπορεί να προκληθεί υπερβολικό ή ανεπαρκές σφίξιμο του εξάγωνου μπουλονιού. Πράγμα που μπορεί να προκαλέσει τραυματισμό.

Κλειδώστε την λαβή στην ανασηκωμένη θέση σπρώχνοντας μέσα τον ανασταλτικό πείρο. (Εικ. 22)
Για να αφαιρέσετε την λάμα, χρησιμοποιείτε το κοίλο κλειδί για να χαλαρώσετε το εξάγωνο μπουλόνι που κρατάει το κάλυμμα κέντρου γυρίζοντας το αριστερόστροφα. Σηκώστε τον προφυλακτήρα λάμας και το κάλυμμα κέντρου. (Εικ. 23)

Πατήστε την ασφάλιση άξονα για να κλειδώσετε τον αξονίσκο και χρησιμοποιείτε το κοίλο κλειδί για να χαλαρώσετε το εξάγωνο μπουλόνι δεξιόστροφα. Μετά αφαιρέστε το εξάγωνο μπουλόνι, εξωτερική φλάντζα και λάμα. (Εικ. 24)

Για να τοποθετήσετε την λάμα, βάλτε την προσεκτικά πάνω στον αξονίσκο, κάνοντας βέβαιο ότι η διεύθυνση του βέλους στην επιφάνεια της λάμας συμπίπτει με την διεύθυνση του βέλους στην θήκη της λάμας. Τοποθετήστε την εξωτερική φλάντζα και εξάγωνο μπουλόνι και μετά χρησιμοποιείτε το κοίλο κλειδί να σφίξετε το εξάγωνο μπουλόνι (αριστερόχειρο) με ασφάλεια αριστερόστροφα ενώ πιέζετε την ασφάλεια άξονα. Επαναφέρετε τον προφυλακτήρα λάμας και κάλυμμα κέντρου στην αρχική τους θέση. Μετά σφίχτε το εξάγωνο μπουλόνι δεξιόστροφα να ασφαλίσετε το κάλυμμα κέντρου. Ελευθερώστε την λαβή από την ανασηκωμένη θέση τραβώντας τον ανασταλτικό πείρο. Χαμηλώστε την λαβή να κάνετε βέβαιο ότι ο προφυλακτήρας λάμας κινείται κατάλληλα. Βεβαιωθείτε ότι η ασφάλιση άξονα έχει ελευθερώσει τον αξονίσκο πριν κάνετε την κοπή. (Εικ. 25 και 26)

Σάκος σκόνης (εξάρτημα) (Εικ. 27)

Η χρησιμοποίηση του σάκου σκόνης κάνει τις λειτουργίες κοπής καθαρές και την συλλογή σκόνης εύκολη. Για να προσαρμόσετε τον σάκο σκόνης, εφαρμόστε τον πάνω στο στόμιο σκόνης. Όταν ο σάκος σκόνης είναι περίπου μισογεμάτος, αφαιρέστε τον από το εργαλείο και τραβήχτε τον προσδετήρα έξω. Αδειάστε τον σάκο σκόνης από τα περιεχόμενά του, χτυπήστε τον ελαφρά έτσι ώστε να αφαιρεθούν τα σωματίδια που είναι κολλημένα από μέσα και μπορεί να εμποδίζουν την περαιτέρω συλλογή.

ΣΗΜΕΙΩΣΗ:

Εάν συνδέσετε μία ηλεκτρική σκούπα Μάκιτα στο πριόνι σας, πιο επαρκείς και καθαρές εργασίες μπορούν να εκτελούνται.

Κουτί σκόνης (εξάρτημα) (Εικ. 28, 29 και 30)

Βάλτε το κουτί σκόνης μέσα στο στόμιο σκόνης. Αδειάστε το κουτί σκόνης όσο το δυνατό νωρίτερα. Για να αδειάσετε το κουτί σκόνης, ανοίχτε το κάλυμμα σπρώχνοντας το κουμπί και απορρίψτε την πριονόσκηνη. Επαναφέρετε το κάλυμμα στην αρχική του θέση και αυτό θα κλειδώσει. Το κουτί σκόνης μπορεί να αφαιρεθεί εύκολα τραβώντας το έξω ενώ το στρίβετε κοντά στο στόμιο σκόνης στο εργαλείο.

ΣΗΜΕΙΩΣΗ:

- Εάν συνδέσετε έναν ηλεκτρικό καθαριστήρα απορρόφησης Μάκιτα στο εργαλείο αυτό, θα μπορούν να εκτελεστούν καθαρότερες και επαρκέστερες εργασίες.

ΠΡΟΣΟΧΗ:

- Αδειάστε το κουτί σκόνης πριν η στάθμη της συλλεχθείσας πριονόσκηνης φθάσει στο τμήμα κυλίνδρου.

Ασφάλιση του τεμαχίου εργασίας (Εικ. 31)

ΠΡΟΕΙΔΟΠΟΙΗΣΗ:

- Είναι εξαιρετικά σημαντικό να ασφαλίσετε πάντοτε το τεμάχιο εργασίας κατάλληλα και σφικτά με την μέγγενη. Αμέλεια να το κάνετε μπορεί να προκαλέσει ζημιά στο εργαλείο και/ή καταστροφή στο τεμάχιο εργασίας. ΠΡΟΣΩΠΙΚΟΣ ΤΡΑΥΜΑΤΙΣΜΟΣ ΜΠΟΡΕΙ ΕΠΙΣΗΣ ΝΑ ΣΥΜΒΕΙ. Επίσης, μετά από μία λειτουργία κοπής, ΜΗ σηκώνετε την λάμα μέχρι να σταματήσει τελείως.

ΠΡΟΣΟΧΗ:

- Όταν κόβετε ένα επίμηκες τεμάχιο εργασίας, χρησιμοποιείτε υποστηρίγματα που είναι του ίδιου ύψους με την κορυφή της επιφάνειας της περιστροφικής βάσης. Μη βασίζεστε αποκλειστικά στην κατακόρυφη και/ή οριζόντια μέγγενη για την ασφάλιση του τεμαχίου εργασίας. Τα λεπτά υλικά έχουν τάση να λυγίζουν. Υποστηρίζετε το τεμάχιο εργασίας σε όλο το μήκος του για να αποφύγετε τσίμπημα λάμας και πιθανό ΟΠΙΣΘΟΛΑΚΤΙΣΜΑ.

Κατακόρυφη μέγγενη (Εικ. 32)

Η κατακόρυφη μέγγενη μπορεί να τοποθετηθεί σε δύο θέσεις στα αριστερά ή στα δεξιά του φράχτη οδηγού ή του συνόλου θήκης (προαιρετικό εξάρτημα). Βάλτε την ράβδο μέγγενης μέσα στην τρύπα του οδηγού φράκτη ή του συνόλου θήκης και σφίχτε τις βίδες να ασφαλίσετε την ράβδο μάγγενης.

Τοποθετείστε τον βραχίονα της μέγγενης σύμφωνα με το πάχος και το σχήμα του τεμαχίου εργασίας και ασφαλίστε τον βραχίονα της μέγγενης σφίγγοντας την βίδα. Εάν η βίδα που ασφαλίζει τον βραχίονα της μέγγενης αγγίζει τον φράχτη οδηγό, τοποθετείστε την βίδα στην απέναντι πλευρά του βραχίονα της μέγγενης. Βεβαιωθείτε ότι κανένα μέρος του εργαλείου δεν κάνει επαφή με την μέγγενη όταν χαμηλώνετε την λαβή εντελώς και σπρώχνετε ή τραβάτε την κινητή βάση σε όλη την διαδρομή της. Εάν κάποιο μέρος κάνει επαφή, επανατοποθετείστε την μέγγενη.

Πιέστε το τεμάχιο εργασίας επίπεδα επί του φράχτη οδηγού και της περιστροφικής βάσης. Τοποθετείστε το τεμάχιο εργασίας στην επιθυμητή θέση κοπής και ασφαλίστε το σταθερά σφίγγοντας το κουμπί της μέγγενης.

ΠΡΟΣΟΧΗ:

- Το τεμάχιο εργασίας πρέπει να ασφαλιστεί σταθερά επί της περιστροφικής βάσης και φράκτη οδηγού με την μέγγενη κατά την διάρκεια όλων των λειτουργιών.

Οριζόντια μέγγενη (προαιρετικό εξάρτημα)

(Εικ. 33)

Η οριζόντια μέγγενη μπορεί να τοποθετηθεί στην αριστερή πλευρά της βάσης. Γυρίζοντας το κουμπί της μέγγενης αριστερόστροφα, η βίδα ελευθερώνεται και ο άξονας της μέγγενης μπορεί να μετακινηθεί γρήγορα μέσα και έξω. Γυρίζοντας το κουμπί της μέγγενης δεξιόστροφα, η βίδα παραμένει ασφαλισμένη. Για να πιάσετε το τεμάχιο εργασίας, γυρίστε το κουμπί της μέγγενης απαλά δεξιόστροφα μέχρι η προβολή να φθάσει στην υψηλότερη θέση, μετά στερεώστε με ασφάλεια. Εάν το κουμπί της βίδας της μέγγενης σπρωχθεί μέσα ή τραβηχθεί έξω ενώ περιστρέφεται δεξιόστροφα, η προβολή θα σταματήσει σε κάποια γωνία. Στην περίπτωση αυτή γυρίστε το κουμπί της μέγγενης πίσω αριστερόστροφα μέχρι να ελευθερωθεί η βίδα, πριν το γυρίσετε πάλι απαλά δεξιόστροφα. Το μέγιστο πλάτος του τεμαχίου εργασίας το οποίο μπορεί να ασφαλιστεί με την οριζόντια μέγγενη είναι 120 χιλ.

ΠΡΟΣΟΧΗ:

- Πιάστε το τεμάχιο εργασίας μόνο όταν η προβολή είναι στην υψηλότερη θέση. Αμέλεια να το κάνετε θα έχει ως αποτέλεσμα ανεπαρκή ασφάλεια του τεμαχίου εργασίας. Αυτό μπορεί να προκαλέσει την εκτόξευση του τεμαχίου εργασίας, ζημιά στην λάμα ή να προκαλέσει την απώλεια ελέγχου, που μπορεί να έχει ως αποτέλεσμα ΠΡΟΣΩΠΙΚΟ ΤΡΑΥΜΑΤΙΣΜΟ.

Θήκες και σύνολο θήκης (προαιρετικά εξαρτήματα) (Εικ. 34 και 35)

Οι θήκες και σύνολο θήκης μπορούν να τοποθετηθούν σε οποιαδήποτε πλευρά ως ένα βολικό μέσο υποστήριξης τεμαχίων εργασίας οριζόντια. Τοποθετήστε τα όπως φαίνεται στην εικόνα. Μετά σφίχτε τις βίδες σταθερά να ασφαλίσετε τις θήκες και το σύνολο θήκης.

Όταν κόβετε μακρύτερα τεμάχια εργασίας, χρησιμοποιείτε το σύνολο θήκη-ράβδος (προαιρετικό εξάρτημα). Αυτό αποτελείται από δύο σύνολα θήκης και δύο ράβδους 12.

ΠΡΟΣΟΧΗ:

- Πάντοτε υποστηρίζετε επιμήκη τεμάχια εργασίας στο ίδιο επίπεδο με την άνω επιφάνεια της περιστροφικής βάσης για κοπές ακριβείας και για να εμποδιστεί η επικίνδυνη απώλεια ελέγχου του εργαλείου.

ΛΕΙΤΟΥΡΓΙΑ

ΠΡΟΣΟΧΗ:

- Πριν από την χρήση, βεβαιώνετε ότι ελευθερώνετε την λαβή από την χαμηλωμένη θέση σπρώχνοντας τον ανασταλτικό πείρο.
- Βεβαιώνετε ότι η λάμα δεν κάνει επαφή με το τεμάχιο εργασίας, κλπ. πριν ανάψετε τον διακόπτη.
- Μην εφαρμόζετε υπερβολική πίεση στην λαβή όταν κόβετε. Υπερβολική δύναμη μπορεί να έχει ως αποτέλεσμα υπερφόρτωση του κινητήρα και/ή μειωμένη επάρκεια κοπής. Πιέστε την λαβή μόνο με όση δύναμη είναι απαραίτητη για απαλή κοπή και χωρίς σημαντική μείωση στην ταχύτητα της λάμας.

- Πιέστε προς τα κάτω απαλά την λαβή για να εκτελέσετε την κοπή. Εάν η λαβή πιεστεί κάτω με δύναμη ή εάν πλευρική δύναμη εφαρμοστεί, η λάμα θα δονείται και θα αφήσει κάποιο σημάδι (σημάδι πριονιού) στο τεμάχιο εργασίας και η ακρίβεια της κοπής θα ελαττωθεί.
- Κατά την διάρκεια ολισθητικής κοπής, σπρώχτε απαλά την κινούμενη βάση προς τον φράχτη οδηγό χωρίς να σταματήσετε. Εάν η κίνηση της κινητής βάσης διακοπεί κατά την κοπή, ένα σημάδι θα μείνει στο τεμάχιο εργασίας και η ακρίβεια της κοπής θα ελαττωθεί.

1. Κοπή πίεσης (κοπή μικρών τεμαχίων εργασίας) (Εικ. 36)

Τεμάχια εργασίας μέχρι ύψους 50 χιλ και πλάτους 97 χιλ μπορούν να κοπούν με τον ακόλουθο τρόπο: Σπρώχτε την κινητή βάση προς τον φράχτη οδηγό και σφίχτε τις δύο βίδες σύσφιξης που ασφαλίζουν τους στύλους ολίσθησης δεξιόστροφα για να ασφαλισουν την κινητή βάση. Ασφαλίστε το τεμάχιο εργασίας με την μέγγενη. Ανάψτε το εργαλείο χωρίς η λάμα να κάνει καμιά επαφή και περιμένετε μέχρι η λάμα να αποκτήσει πλήρη ταχύτητα πριν την χαμηλώσετε. Μετά χαμηλώστε απαλά την λαβή στην κατώτερη δυνατή θέση για να κόψετε το τεμάχιο εργασίας. Όταν η κοπή έχει ολοκληρωθεί, σβήστε το εργαλείο και ΠΕΡΙΜΕΝΕΤΕ ΜΕΧΡΙ Η ΛΑΜΑ ΝΑ ΣΤΑΜΑΤΗΣΗ ΤΕΛΕΙΩΣ πριν επαναφέρετε την λάμα στην πλήρως ανασηκωμένη θέση της.

ΠΡΟΣΟΧΗ:

- Σφίχτε σταθερά τις δύο βίδες σύσφιξης που ασφαλίζουν τους ολισθητικούς στύλους δεξιόστροφα έτσι ώστε η κινητή βάση δεν θα κινηθεί κατά την λειτουργία. Ανεπαρκές σφίξιμο μπορεί να προκαλέσει μη αναμενόμενο οπισθολάκτισμα της λάμας. Πιθανός σοβαρός ΠΡΟΣΩΠΙΚΟΣ ΤΡΑΥΜΑΤΙΣΜΟΣ μπορεί να προκληθεί.

2. Κοπή ολίσθησης (ώθησης) (κοπή τεμαχίων εργασίας μεγάλου πλάτους) (Εικ. 37)

Χαλαρώστε τις δύο βίδες σύσφιξης που ασφαλίζουν τους ολισθητικούς στύλους αριστερόστροφα έτσι ώστε η κινητή βάση μπορεί να ολισθαίνει ελεύθερα. Ασφαλίστε το τεμάχιο εργασίας με την μέγγενη. Τραβήχτε την κινητή βάση προς το μέρος σας πλήρως. Ανάψτε το εργαλείο χωρίς η λάμα να κάνει καμιά επαφή και περιμένετε μέχρι η λάμα να αποκτήσει πλήρη ταχύτητα. Πιέστε κάτω την λαβή και ΣΠΡΩΧΤΕ ΤΗ ΚΙΝΗΤΗ ΒΑΣΗ ΠΡΟΣ ΤΟΝ ΦΡΑΧΤΗ ΟΔΗΓΟ ΚΑΙ ΔΙΑ ΜΕΣΟΥ ΤΟΥ ΤΕΜΑΧΙΟΥ ΕΡΓΑΣΙΑΣ. Όταν η κοπή έχει ολοκληρωθεί, σβήστε το εργαλείο και ΠΕΡΙΜΕΝΕΤΕ ΜΕΧΡΙ Η ΛΑΜΑ ΝΑ ΣΤΑΜΑΤΗΣΗ ΤΕΛΕΙΩΣ πριν επαναφέρετε την λάμα στην πλήρως ανασηκωμένη θέση της.

ΠΡΟΣΟΧΗ:

- Οποτεδήποτε εκτελείτε ολισθητική κοπή, ΠΡΩΤΑ ΤΡΑΒΑΤΕ ΤΗΝ ΚΙΝΗΤΗ ΒΑΣΗ ΠΡΟΣ ΤΟ ΜΕΡΟΣ ΣΑΣ ΕΝΤΕΛΩΣ και μετά πιέστε κάτω την λαβή στην χαμηλότερη δυνατή θέση, μετά ΣΠΡΩΧΤΕ ΤΗΝ ΚΙΝΗΤΗ ΒΑΣΗ ΠΡΟΣ ΤΟΝ ΦΡΑΧΤΗ ΟΔΗΓΟ. ΠΟΤΕ ΜΗΝ ΑΡΧΙΖΕΤΕ ΤΗΝ ΚΟΠΗ ΧΩΡΙΣ ΝΑ ΕΧΕΤΕ ΤΡΑΒΗΣΕΙ ΤΗΝ ΚΙΝΗΤΗ ΒΑΣΗ ΠΡΟΣ ΤΟ ΜΕΡΟΣ ΣΑΣ ΕΝΤΕΛΩΣ. Εάν εκτελέσετε ολισθητική κοπή χωρίς να τραβήξετε την κινητή βάση εντελώς προς το μέρος σας ή όταν εκτελέσετε ολισθητική κοπή προς την διεύθυνσή σας, η λάμα μπορεί να οπισθολακτίσει αναπάντεχα με την δυνατότητα να προκαλέσει σοβαρό ΠΡΟΣΩΠΙΚΟ ΤΡΑΥΜΑΤΙΣΜΟ.
- Ποτέ μην εκτελείτε ολισθητική κοπή με την λαβή κλειδωμένη στην κάτω θέση πιέζοντας τον ανασταλτικό πεύρο.
- Ποτέ μη χαλαρώνετε την βίδα σύσφιξης που ασφαλίζει την κινητή βάση ενώ η λάμα περιστρέφεται. Αυτό μπορεί να προκαλέσει σοβαρό τραυματισμό.

3. Λοξή κοπή

Ανατρέξτε στο προηγούμενο εδάφιο “Ρύθμιση της λοξής γωνίας”.

4. Κωνική κοπή (Εικ. 38)

Χαλαρώστε τον μοχλό και κλίνετε την λάμα πριονιού να ρυθμίσετε την κωνική γωνία (Ανατρέξτε στο προηγούμενο εδάφιο “Ρύθμιση της κωνικής γωνίας”). Βεβαιώστε ότι ξανασφίγγετε τον μοχλό σταθερά να ασφαλίσετε την επιλεχθείσα κωνική γωνία με ασφάλεια. Ασφαλίστε το τεμάχιο εργασίας με μία μέγγενη. Βεβαιωθείτε ότι η κινητή βάση έχει τραβηχθεί εντελώς προς τον χειριστή. Ανάψτε το εργαλείο χωρίς η λάμα να κάνει καμιά επαφή και περιμένετε μέχρι η λάμα να αποκτήσει πλήρη ταχύτητα. Μετά χαμηλώστε απαλά την λαβή στην κατώτερη δυνατή θέση ενώ εφαρμόζετε πίεση παράλληλα με την λάμα και ΣΠΡΩΧΤΕ ΤΗΝ ΚΙΝΗΤΗ ΒΑΣΗ ΠΡΟΣ ΤΟΝ ΦΡΑΧΤΗ ΟΔΗΓΟ ΓΙΑ ΝΑ ΚΩΨΕΤΕ ΤΟ ΤΕΜΑΧΙΟ ΕΡΓΑΣΙΑΣ. Όταν η κοπή έχει ολοκληρωθεί, σβήστε το εργαλείο και ΠΕΡΙΜΕΝΕΤΕ ΜΕΧΡΙ Η ΛΑΜΑ ΝΑ ΣΤΑΜΑΤΗΣΗ ΤΕΛΕΙΩΣ πριν επαναφέρετε την λάμα στην πλήρως ανασηκωμένη θέση της.

ΠΡΟΣΟΧΗ:

- Πάντοτε βεβαιώνετε ότι η λάμα θα κινηθεί κάτω προς κωνική διεύθυνση κατά την διάρκεια μιάς κωνικής κοπής. Κρατάτε τα χέρια σας μακριά από την διαδρομή της λάμας πριονιού.
- Κατά την διάρκεια μιάς κωνικής κοπής, μπορεί να δημιουργηθεί μία κατάσταση όπου το κομμένο τεμάχιο θα παραμείνει στην πλευρά της λάμας. Εάν η λάμα ανασηκωθεί ενώ περιστρέφεται, αυτό το τεμάχιο μπορεί να πιαστεί από την λάμα, και να προκληθεί διασκορπισμός τεμαχιδίων πράγμα που είναι επικίνδυνο. Η λάμα πρέπει να ανασηκώνεται ΜΟΝΟ αφού έχει σταματήσει τελείως.
- Όταν πιέσετε την λαβή κάτω, εφαρμόζετε πίεση παράλληλα στην λάμα. Εάν η πίεση δεν είναι παράλληλη στην λάμα κατά την διάρκεια της κοπής, η γωνία της λάμας μπορεί να μετακινηθεί και η ακρίβεια της κοπής θα μειωθεί.

5. Σύνθετη κοπή

Σύνθετη κοπή είναι η διαδικασία κατά την οποία μία κωνική γωνία γίνεται την ίδια στιγμή που μία λοξή γωνία κόβεται σε ένα τεμάχιο εργασίας. Σύνθετη κοπή μπορεί να εκτελεσθεί στην γωνία που φαίνεται στον πίνακα.

Λοξή γωνία	Κωνική γωνία
Αρ. και Δεξ. 45°	Αρ. 0° – 45°
Δεξ. 50°	Αρ. 0° – 40°
Δεξ. 55°	Αρ. 0° – 30°
Δεξ. 57°	Αρ. 0° – 25°

Όταν εκτελείτε σύνθετη κοπή, ανατρέξτε στις εξηγήσεις των εδαφίων “Κοπή πίεσης”, “Κοπή ολισθησης”, “Λοξή κοπή” και “Κωνική κοπή”.

6. Κοπή προεξοχής αλουμινίου (Εικ. 39)

Όταν ασφαλίσετε προεξοχές αλουμινίου, χρησιμοποιείτε τάκους διαστήματος ή κομμάτια άχρηστα όπως φαίνεται στην εικόνα για να αποφύγετε παραμόρφωση του αλουμινίου. Χρησιμοποιείτε ένα λιπαντικό κοπής όταν κόβετε προεξοχή αλουμινίου για να αποφύγετε συσσώρευση υλικού αλουμινίου πάνω στην λάμα.

ΠΡΟΣΟΧΗ:

- Ποτέ μην επιχειρήσετε να κόψετε παχειές ή στρογγυλές προεξοχές αλουμινίου. Παχειούς προεξοχές αλουμινίου μπορεί να χαλαρώσουν κατά την λειτουργία και στρογγυλές προεξοχές αλουμινίου δεν μπορούν να στερεωθούν σταθερά με το εργαλείο αυτό.

7. Επένδυση ξύλου (Εικ. 40)

Η χρήση επένδυσης ξύλου βοηθάει στην εξασφάλιση κοπών χωρίς σκλήθρες στα τεμάχια εργασίας. Προσαρμόστε μία επένδυση ξύλου στον φράχτη οδηγό χρησιμοποιώντας τις τρύπες στον φράχτη οδηγό.

Δείτε την εικόνα σχετικά με τις διαστάσεις για μία προτεινόμενη επένδυση ξύλου.

ΠΡΟΣΟΧΗ:

- Χρησιμοποιείτε ίσιο ξύλο ομοιόμορφου πάχους για την επένδυση ξύλου.
- Χρησιμοποιείτε βίδες για να προσαρμόσετε την επένδυση ξύλου στον φράχτη οδηγό. Οι βίδες πρέπει να τοποθετούνται έτσι ώστε οι κεφαλές των βιδών είναι κάτω από την επιφάνεια της επένδυσης ξύλου.
- Όταν η επένδυση ξύλου προσαρμόζεται, μη περιστρέψετε την περιστροφική βάση με την λαβή χαμηλωμένη. Η λάμα καλή η επένδυση ξύλου μπορεί να πάθουν ζημιά.

8. Κοπή επαναληπτικών μηκών (Εικ. 41)

Όταν κόβετε πολλά τεμάχια υλικού στο ίδιο μήκος, από 220 χιλ έως 385 χιλ, χρήση της πλάκας ρύθμισης (προαιρετικό ανταλλακτικό) θα διευκολύνει την επαρκέστερη λειτουργία. Τοποθετήστε την πλάκα ρύθμισης στην θήκη (προαιρετικό εξάρτημα) όπως φαίνεται στην εικόνα.

Ευθυγραμμίστε την γραμμή κοπής στο τεμάχιο εργασίας σας με την αριστερή ή δεξιά πλευρά της αυλάκωσης στην σανίδα εγκαπής και ενώ εμποδίζετε το τεμάχιο εργασίας να κινηθεί, μετακινίστε την πλάκα ρύθμισης στο ίδιο ύψος με την ακρη του τεμαχίου εργασίας. Μετά ασφαλίστε την πλάκα ρύθμισης με την βίδα. Όταν η πλάκα ρύθμισης δεν χρησιμοποιείται, χαλαρώστε την βίδα και γυρίστε την πλάκα ρύθμισης ώστε να μην εμποδίζει.

ΣΗΜΕΙΩΣΗ:

- Η χρησιμοποίηση του συνόλου θήκης - ράβδου (προαιρετικό εξάρτημα) επιτρέπει κοπή επαναληπτικών μηκών μέχρι 2.200 χιλ περίπου.

9. Κοπή αυλάκωσης (Εικ. 42)

Ενας τύπος κοπής dado μπορεί να γίνει προχωρώντας ως εξής:

Ρυθμίστε την θέση του κάτω ορίου της λάμας χρησιμοποιώντας την ρυθμιστική βίδα και τον ανασταλτικό βραχίονα να περιορίσετε το βάθος κοπής της λάμας. Ανατρέξτε στο εδάφιο “Ανασταλτικός βραχίονας” που περιγράφτηκε προηγουμένως.

Αφού ρυθμίσετε την θέση κάτω ορίου της λάμας, κόψτε παράλληλες αυλακώσεις κατά πλάτος του τεμαχίου εργασίας χρησιμοποιώντας μία ολισθητική (σπρωχτή) κοπή όπως φαίνεται στην εικόνα. Μετά μετακινίστε το υλικό του τεμαχίου εργασίας μεταξύ των αυλακώσεων με ένα σκαρπέλο. Μην επιχειρήσετε να εκτελέσετε αυτό τον τύπο της κοπής με χρήση πλατειάς (παχειάς) λάμας ή με μία λάμα dado. Πιθανή απώλεια ελέγχου και τραυματισμός μπορεί να συμβεί.

ΠΡΟΣΟΧΗ:

- Βεβαιώνετε ότι επαναφέρετε τον ανασταλτικό βραχίονα στην αρχική θέση όταν εκτελείτε κάτι άλλο εκτός από κοπή αυλάκωσης.

Μεταφορά εργαλείου (Εικ. 43 και 44)

Βεβαιώνετε ότι το εργαλείο είναι αποσυνδεδεμένο. Ασφαλίστε την λάμα σε κωνική γωνία 0° και την περιστροφική βάση σε δεξιά λοξή γωνία πλήρως. Ασφαλίστε τους ολισθητικούς στύλους αφού τραβήξετε την κινητή βάση προς τον φράχτη οδηγό πλήρως. Χαμηλώστε την λαβή εντελώς και κλειδώστε την στην κάτω θέση σπρώχνοντας μέσα τον ανασταλτικό πείρο.

Μεταφέρετε το εργαλείο κρατώντας και τις δύο πλευρές της βάσης του εργαλείου όπως φαίνεται στην εικόνα. Εάν αφαιρέσετε τις θήκες, σάκο σκόνης, κλπ., μπορείτε να μεταφέρετε το εργαλείο πολύ ευκολότερα.

ΠΡΟΣΟΧΗ:

- Πάντοτε ασφαλίστε όλα τα κινητά μέρη πριν μεταφέρετε το εργαλείο.
- Ο ανασταλτικός πείρος είναι μόνο για λόγους μεταφοράς και αποθήκευσης μόνο και όχι για λειτουργίες κοπής.

ΣΥΝΤΗΡΗΣΗ

ΠΡΟΣΟΧΗ:

- Πάντοτε βεβαιώνετε ότι το εργαλείο είναι σβηστό και αποσυνδεδεμένο πριν επιχειρήσετε να εκτελέσετε επιθεώρηση ή συντήρηση.

ΠΡΟΕΙΔΟΠΟΙΗΣΗ:

- Πάντοτε βεβαιώνετε ότι η λάμα είναι αιχμηρή και καθαρή για καλές και ασφαλείς κοπές.

Ρύθμιση της γωνίας κοπής

Αυτό το εργαλείο είναι προεκτικά ρυθμισμένο και ευθυγραμμισμένο στο εργοστάσιο, αλλά σκληρή μεταχείριση μπορεί να έχει επηρεάσει την ευθυγράμμιση. Εάν το εργαλείο σας δεν είναι ευθυγραμμισμένο κατάλληλα, εκτελέστε τα ακόλουθα:

1. Λοξή γωνία

Σπρώχτε την κινητή βάση προς τον φράχτη οδηγό και σφίχτε τις δύο βίδες σύσφιξης για να ασφαλίσετε την κινητή βάση.

Χαλαρώστε την λαβή που ασφαλίζει την περιστροφική βάση. Γυρίστε την περιστροφική βάση έτσι ώστε ο δείκτης δείχνει στις 0° στην λοξή κλίμακα. Μετά γυρίστε την περιστροφική βάση ελαφρά δεξιόστροφα και αριστερόστροφα να τοποθετήσετε την περιστροφική βάση στην λοξή εγκοπή των 0°. (Αφήστε το όπως είναι εάν ο δείκτης δεν δείχνει στις 0°.) Χαλαρώστε τα εξάγωνα μπουλόνια που ασφαλίζουν τον φράχτη οδηγό χρησιμοποιώντας το κοίλο κλειδί. (Εικ. 45)

Χαμηλώστε την λαβή πλήρως και κλειδώστε την στην κάτω θέση σπρώχνοντας μέσα τον ανασταλτικό πείρο. Τετραγωνίστε την πλευρά της λάμας με την όψη του φράχτη οδηγού χρησιμοποιώντας ένα τριγωνικό κανόνα, τετράγωνο κανόνα, κλπ. Μετά σφίχτε με ασφάλεια τα εξάγωνα μπουλόνια στον φράχτη οδηγό στην σειρά από την δεξιά πλευρά. (Εικ. 46)

Βεβαιωθείτε ότι ο δείκτης δείχνει στις 0° στην λοξή κλίμακα. Εάν ο δείκτης δεν δείχνει στις 0° χαλαρώστε την βίδα που ασφαλίζει τον δείκτη και ρυθμίστε τον δείκτη έτσι ώστε να δείχνει στις 0°. (Εικ. 47)

2. Κωνική γωνία

1. 0° Κωνική γωνία

Σπρώχτε την κινητή βάση προς τον φράχτη οδηγό και σφίχτε τις δύο βίδες σύσφιξης για να στερεώσετε την κινητή βάση. Χαμηλώστε την λαβή πλήρως και κλειδώστε την στην κάτω θέση σπρώχνοντας μέσα τον ανασταλτικό πείρο. Χαλαρώστε τον μοχλό στο πίσω μέρος του εργαλείου.

Γυρίστε το ρυθμιστικό μπουλόνι 0° κωνικής γωνίας (κάτω μπουλόνι) στην δεξιά πλευρά του βραχίονα δύο ή τρεις περιστροφές αριστερόστροφα για να δώσετε κλίση στην λάμα στα δεξιά. (Εικ. 48)

Προεκτικά τετραγωνίστε την πλευρά της λάμας με την επιφάνεια κορυφής της περιστροφικής βάσης χρησιμοποιώντας τον τριγωνικό κανόνα, τετράγωνο κανόνα, κλπ. γυρίζοντας το ρυθμιστικό μπουλόνι κωνικής γωνίας 0° δεξιόστροφα. Μετά σφίχτε τον μοχλό με ασφάλεια. (Εικ. 49)

Βεβαιώνετε ότι ο δείκτης στον βραχίονα δείχνει στο 0° στην κωνική κλίμακα στη θήκη του βραχίονα. Εάν δεν δείχνει στο 0°, χαλαρώστε την βίδα που ασφαλίζει τον δείκτη και ρυθμίστε τον δείκτη έτσι ώστε να δείχνει στο 0°. (Εικ. 50)

2. 45° κωνική γωνία

Ρυθμίστε την κωνική γωνία 45° μόνο αφού εκτελέσετε ρύθμιση κωνικής γωνίας 0°. Για να ρυθμίσετε αριστερή κωνική γωνία 45° χαλαρώστε τον μοχλό και κλίνετε την λάμα στα αριστερά πλήρως. Βεβαιώνετε ότι ο δείκτης στον βραχίονα δείχνει στις 45° στην κωνική κλίμακα στην θήκη του βραχίονα. Εάν ο δείκτης δεν δείχνει στις 45°, γυρίστε το ρυθμιστικό μπουλόνι (άνω μπουλόνι) της κωνικής γωνίας 45° στην δεξιά πλευρά του βραχίονα μέχρι ο δείκτης να δείξει στις 45°. (Εικ. 51)

Ρύθμιση της θέσης της γραμμής λέιζερ (Εικ. 52 και 53)

Για μοντέλα LS0714FL, LS0714L

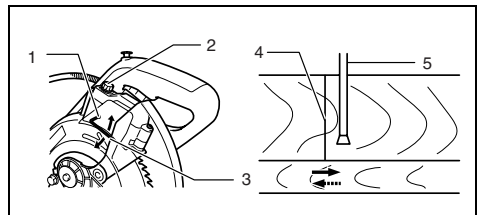
ΠΡΟΕΙΔΟΠΟΙΗΣΗ:

- Καθώς το εργαλείο είναι συνδεδεμένο όταν ρυθμίζετε την θέση της γραμμής λέιζερ, προσέχετε πολύ ιδιαίτερα στην λειτουργία του διακόπτη. Το τυχαίο τράβηγμα τη σκανδάλης διακόπτη θα προκαλέσει τυχαίο ξεκίνημα του εργαλείου και προσωπικό τραυματισμό.

ΠΡΟΣΟΧΗ:

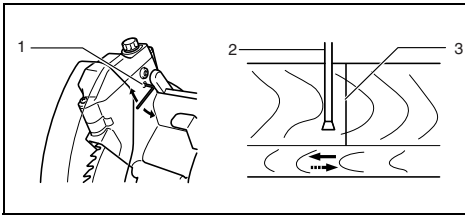
- Ποτέ μη κυττάτε μέσα στην ακτίνα λέιζερ απευθείας. Απευθείας κύτταγμα της ακτίνας λέιζερ θα προκαλέσει ζημιά στα μάτια σας.
- Ποτέ μην προκαλέσετε κτύπημα ή κρούση στο εργαλείο. Κτύπημα ή κρούση μπορεί να έχει ως αποτέλεσμα εσφαλμένη θέση της γραμμής λέιζερ, ζημιά στο τμήμα εκπομπής της ακτίνας λέιζερ ή μείωση της ζωής του εργαλείου.
- Σε περίπτωση αστοχίας της μονάδας λέιζερ, απευθυνθείτε σε εξουσιοδοτημένο κέντρο σέρβις της Μάκιτα για την επισκευή του εργαλείου. Δεν επιτρέπεται αντικατάσταση με λέιζερ διαφορετικού τύπου.

Όταν ρυθμίζετε η γραμμή λέιζερ εμφανίζεται στην αριστερή πλευρά της λάμας πριονιού



- 1 Βιδώστε για να αλλάξετε το κινητό πεδίο της ρυθμιστικής βίδας
- 2 Ρυθμιστική βίδα
- 3 Εξάγωνο κλειδί
- 4 Γραμμή λέιζερ
- 5 Λάμα πριονιού

Όταν ρυθμίζετε η γραμμή λέιζερ εμφανίζεται στην δεξιά πλευρά της λάμας πριονιού



- 1 Βιδώστε για να αλλάξετε το κινητό πεδίο της ρυθμιστικής βίδας
- 2 Λάμα πριονιού
- 3 Γραμμή λέιζερ

Και για τις δύο ρυθμίσεις κάντε τα εξής:

1. Βεβαιωθείτε ότι το εργαλείο είναι αποσυνδεδεμένο.
2. Τραβήχτε την γραμμή κοπής στο τεμάχιο εργασίας και τοποθετήστε το στο περιστροφικό τραπέζι. Αυτή την φορά, μην ασφαλίσετε το τεμάχιο εργασίας με μιά μέγγενη ή παρόμοια συσκευή ασφάλειας.
3. Κατεβάστε την λάμα χαμηλώνοντας την λαβή και ελέγξτε να δείτε που είναι η γραμμή κοπής και η θέση της λάμας πριονιού. (Αποφασίστε ποιά θέση θα κόψετε στην γραμμή κοπής.)
4. Αφού αποφασίσετε την θέση που θα κοπεί, γυρίστε την λαβή στην αρχική της θέση. Ασφαλίστε το τεμάχιο εργασίας με την κατακόρυφη μέγγενη χωρίς να μετακινήσετε το τεμάχιο εργασίας από την προελεγμένη θέση.
5. Συνδέστε το εργαλείο και ανάψτε τον διακόπτη λέιζερ.
6. Ρυθμίστε τη θέση της γραμμής λέιζερ ως εξής: Η θέση της γραμμής λέιζερ μπορεί να αλλάξει καθώς το κινητό πεδίο της ρυθμιστικής βίδας του λέιζερ αλλάζει γυρίζοντας δύο βίδες με ένα εξάγωνο κλειδί. (Το κινητό πεδίο της γραμμής λέιζερ είναι εργοστασιακά ρυθμισμένο σε 1 χιλ από την πλευρική επιφάνεια της λάμας.)

Για να μετακινήσετε το κινητό πεδίο της γραμμής λέιζερ μακρύτερα από την πλευρική επιφάνεια της λάμας, γυρίστε τις δύο βίδες αριστερόστροφα αφού χαλαρώσετε την ρυθμιστική βίδα. Γυρίστε αυτές τις δύο βίδες δεξιόστροφα για να το μετακινήσετε πιο κοντά στην πλευρική επιφάνεια της λάμας αφού χαλαρώσετε την ρυθμιστική βίδα.

Ανατρέξτε στο εδάφιο με τίτλο “Ενέργεια ακτίνας λέιζερ” και ρυθμίστε την ρυθμιστική βίδα έτσι ώστε η γραμμή κοπής στο τεμάχιο εργασίας σας ευθυγραμμίζεται με την γραμμή λέιζερ.

ΣΗΜΕΙΩΣΗ:

- Ελέγχετε την θέση της γραμμής λέιζερ τακτικά για ακρίβεια.
- Επισκευάζετε το εργαλείο σε εξουσιοδοτημένο κέντρο Μάκita για οποιαδήποτε πρόβλημα στην μονάδα λέιζερ.

Αντικατάσταση του σωλήνα φθορισμού (Εικ. 54)

Μόνο για μοντέλα LS0714F, LS0714FL

ΠΡΟΣΟΧΗ:

- Πάντοτε βεβαιώνετε ότι το εργαλείο είναι σβηστό και αποσυνδεδεμένο πριν αντικαταστήσετε τον σωλήνα φθορισμού.
- Μην εφαρμόζετε δύναμη, χτυπήματα ή γρατσουνιές σε ένα σωλήνα φθορισμού, που μπορεί να προκαλέσουν το σπάσιμο κάποιας γυάλινης επιφάνειας του σωλήνα φθορισμού με αποτέλεσμα τραυματισμό σε σας ή στους γύρω σας.
- Αφήστε τον σωλήνα φθορισμού για λίγο αμέσως μετά την χρήση του και μετά αντικαταστήστε τον. Διαφορετικά μπορεί να πάθετε εγκαύματα.

Αφαιρέστε τις βίδες, που ασφαλίζουν το Κουτί Λάμπας του φωτός.

Τραβήξτε έξω το Κουτί Λάμπας σπρώχνοντας συνεχώς ελαφρά την άνω θέση αυτού όπως φαίνεται στην εικόνα.

Τραβήχτε έξω τον σωλήνα φθορισμού και αντικαταστήστε τον με ένα αυθεντικό Μάκita.

Καθάρισμα των φακών της λάμπας λέιζερ

(Εικ. 55 και 56)

Για μοντέλα LS0714FL, LS0714L

Εάν οι φακοί του φωτός λέιζερ ρυπανθούν ή πριονόσκηνη κολλήσει σ' αυτό με τέτοιο τρόπο ώστε η γραμμή λέιζερ δεν είναι εύκολα ορατή, αποσυνδέστε το πριόνι και αφαιρέστε και καθαρίστε τους φακούς του φωτός λέιζερ προσεκτικά με ένα υγρό, μαλακό ύφασμα. Μην χρησιμοποιήσετε διαλύτες ή απορρυπαντικά με βάση το πετρέλαιο στους φακούς.

Για να αφαιρέσετε τους φακούς του φωτός λέιζερ, αφαιρέστε την λάμα πριονιού πριν αφαιρέσετε τους φακούς σύμφωνα με τις οδηγίες στο εδάφιο “Τοποθέτηση ή αφαίρεση της λάμας πριονιού”.

Χαλαρώστε αλλά μην αφαιρέσετε την βίδα που ασφαλίζει τους φακούς χρησιμοποιώντας ένα κατσαβίδι.

Τραβήξτε έξω τους φακούς όπως φαίνεται στην εικόνα.

ΣΗΜΕΙΩΣΗ:

- Εάν οι φακοί δεν βγαίνουν έξω, χαλαρώστε την βίδα περισσότερο και τραβήχτε πάλι τους φακούς έξω χωρίς να αφαιρέσετε την βίδα.

Αντικατάσταση ψηκτρών άνθρακα (Εικ. 57 και 58)

Αφαιρέτε και ελέγχετε τις ψήκτρες άνθρακα τακτικά. Αντικαθιστάτε τις όταν έχουν φθαρεί στο σημάδι ορίου. Κρατάτε τις ψήκτρες άνθρακα καθαρές και ελεύθερες να γλυστρούν στις θήκες. Και οι δύο ψήκτρες άνθρακα πρέπει να αντικαθίστανται ταυτόχρονα. Χρησιμοποιείτε μόνο ταυτόσημες ψήκτρες άνθρακα.

Χρησιμοποιείτε ένα κατσαβίδι για να αφαιρέσετε τα καπάκια των ψηκτρών άνθρακα. Βγάλε τις φθαρμένες ψήκτρες άνθρακα, βάλτε τις καινούργιες και ασφαλίστε τα καπάκια των ψηκτρών άνθρακα.

Μετά την χρήση

- Μετά την χρήση, σφουγγίστε τα τεμαχίδια και την σκόνη που είναι κολλημένα στο εργαλείο με ένα πανί ή κάτι παρόμοιο. Κρατείστε τον προφυλακτήρα λάμας καθαρά σύμφωνα με τις οδηγίες στο προηγούμενος καλυφθέν τμήμα με τίτλο “Προφυλακτήρας λάμας”. Λιπαίνετε τα μέρη που γλιστρούν με μηχανικό έλαιο για να μην οξειδωθούν.
- Όταν αποθηκεύετε το μηχάνημα, τραβήξτε τη κινητή βάση πλήρως προς το μέρος σας έτσι ώστε η ολισθαίνουσα ράβδος να έχει μπει καλά μέσα στη περιστροφική βάση.

Για την διατήρηση της ΑΣΦΑΛΕΙΑΣ και ΑΞΙΟΠΙΣΤΙΑΣ του προϊόντος, επισκευές, οποιαδήποτε άλλη συντήρηση ή ρύθμιση πρέπει να εκτελούνται από Εξουσιοδοτημένα Κέντρα Σερβις της Μάκιτα, πάντοτε με χρήση ανταλλακτικών Μάκιτα.

ΕΞΑΡΤΗΜΑΤΑ

ΠΡΟΣΟΧΗ:

- Αυτά τα εξαρτήματα ή προσαρτήματα συνιστώνται για χρήση με το εργαλείο Μάκιτα που περιγράφηκε στις οδηγίες αυτές. Η χρήση οτιδήποτε άλλων εξαρτημάτων ή προσαρτημάτων μπορεί να προκαλέσει κίνδυνο τραυματισμού σε άτομα. Χρησιμοποιείτε τα εξαρτήματα ή προσαρτήματα μόνο για την χρήση που προορίζονται.

Εάν χρειάζεστε οποιαδήποτε βοήθεια για περισσότερες πληροφορίες σε σχέση με αυτά τα εξαρτήματα, αποτανθείτε στο τοπικό σας κέντρο εξυπηρέτησης Μάκιτα.

- Λάμες πριονιού καρβιδικών άκρων
- Σύνολο μέγγενης (οριζόντια μέγγενη)
- Κατακόρυφη μέγγενη
- Κοίλο κλειδί 10
- Ρύθμιση θήκης
- Σύνολο θήκης
- Σύνολο ράβδου θήκης
- Πλάκα ρύθμισης
- Σάκος σκόνης
- Τριγωνικός κανόνας
- Κουμπί κλειδώματος - off (2 τμχ)
- Σωλήνας φθορισμού
- Εξάγωνο κλειδί

ENGLISH**For European countries only****EC Declaration of Conformity****We Makita Corporation as the responsible manufacturer declare that the following Makita machine(s):**Designation of Machine: Slide Compound Saw
Model No./ Type: LS0714, LS0714F, LS0714FL, LS0714L
are of series production and**Conforms to the following European Directives:**98/37/EC until 28th December 2009 and then with
2006/42/EC from 29th December 2009

And are manufactured in accordance with the following standards or standardised documents:

EN61029

The technical documentation is kept by our authorized representative in Europe who is:

Makita International Europe Ltd,
Michigan, Drive, Tongwell,
Milton Keynes, MK15 8JD, England**DEUTSCH****Nur für europäische Länder****EG-Übereinstimmungserklärung****Wir, die Firma Makita als verantwortlicher Hersteller, erklären, dass die folgende(n) Makita-Maschine(n):**Bezeichnung der Maschine: Gehrungs und Kappzugsäge
Modell-Nr./ Typ: LS0714, LS0714F, LS0714FL, LS0714L
der Serienproduktion entstammen und**den folgenden europäischen Richtlinien entsprechen:**98/37/EG bis 28. Dezember 2009 und dann 2006/42/EG
ab 29. Dezember 2009

und gemäß den folgenden Standards oder standardisierten Dokumenten hergestellt werden:

EN61029

Die technische Dokumentation befindet sich im Bestand unserer autorisierten Vertretung in Europa, nämlich:

Makita International Europe Ltd.
Michigan, Drive, Tongwell,
Milton Keynes, MK15 8JD, England**FRANÇAISE****Pour les pays d'Europe uniquement****Déclaration de conformité CE****Makita Corporation, en tant que fabricant responsable, déclare que la ou les machines suivantes :**Désignation de la machine : Scie Multi Coupe
N° de modèle / Type : LS0714, LS0714F, LS0714FL, LS0714L

sont produites en série et

sont conformes aux Directives européennes suivantes :98/37/CE jusqu'au 28 décembre 2009, puis 2006/42/CE
à compter du 29 décembre 2009

et qu'elles sont fabriquées conformément aux normes ou documents normalisés suivants :

EN61029

La documentation technique est conservée par notre représentant agréé en Europe, à savoir :

Makita International Europe Ltd,
Michigan, Drive, Tongwell,
Milton Keynes, MK15 8JD, Angleterre**ITALIANO****Modello per l'Europa soltanto****Dichiarazione CE di conformità****Noi della Makita Corporation, come produttori responsabili, dichiariamo che le macchine Makita seguenti:**Designazione della macchina: Sega composta a slitta
Modello No./ Tipo: LS0714, LS0714F, LS0714FL, LS0714L
sono una produzione di serie e**conformi alle direttive europee seguenti:**98/37/CE fino al 28 dicembre 2009 e poi 2006/42/CE dal
29 dicembre 2009

E sono fabbricate conformemente ai seguenti standard o documenti standardizzati:

EN61029

La documentazione tecnica è tenuta dal nostro rappresentante autorizzato in Europa, che è:

Makita International Europe Ltd,
Michigan, Drive, Tongwell,
Milton Keynes, MK15 8JD, England30th January 2009
30 janvier 200930. Januar 2009
30 gennaio 2009Tomoyasu Kato
Director Direktor
Directeur AmministratoreMakita Corporation
3-11-8, Sumiyoshi-cho,
Anjo, Aichi, JAPAN

NEDERLANDS**Alleen voor Europese landen****EU-Verklaring van Conformiteit**

Wij, Makita Corporation, als de verantwoordelijke fabrikant, verklaren dat de volgende Makita-machine(s):

Aanduiding van de machine: Radiaal-/afkortzaag
Modelnr./ Type: LS0714, LS0714F, LS0714FL, LS0714L
in serie zijn geproduceerd en

Voldoen aan de volgende Europese richtlijnen:

98/37/EC tot en met 28 december 2009 en daarna aan 2006/42/EC vanaf 29 december 2009

En zijn gefabriceerd in overeenstemming met de volgende normen of genormaliseerde documenten:

EN61029

De technische documentatie wordt bewaard door onze erkende vertegenwoordiger in Europa, te weten:

Makita International Europe Ltd.,
Michigan, Drive, Tongwell,
Milton Keynes, MK15 8JD, Engeland

PORTUGUÊS**Só para países Europeus****Declaração de conformidade CE**

Nós, a Makita Corporation, fabricante responsável, declaramos que a(s) seguinte(s) ferramenta(s) Makita:
Designação da ferramenta: Serra de esquadria telescópica
Modelos n.º/ Tipo: LS0714, LS0714F, LS0714FL, LS0714L
são de produção de série e

Em conformidade com as seguintes directivas europeias:

98/37/EC até 28 de dezembro de 2009 e 2006/42/EC a partir de 29 de dezembro 2009

E estão fabricados de acordo com as seguintes normas ou documentos normativos:

EN61029

A documentação técnica é mantida pelo nosso representante autorizado na Europa:

Makita International Europe Ltd,
Michigan Drive, Tongwell,
Milton Keynes, MK15 8JD, Inglaterra

ESPAÑOL**Para países europeos solamente****Declaración de conformidad CE**

Makita Corporation como fabricante responsable declara que la(s) siguiente(s) máquina(s) de Makita:

Designación de máquina: Sierra de Inglete
Modelo N.º/ Tipo: LS0714, LS0714F, LS0714FL, LS0714L
son producidas en serie y

Cumplen con las directivas europeas siguientes:

98/37/EC hasta el 28 de diciembre de 2009 y después con 2006/42/EC desde el 29 de diciembre de 2009

Y que están fabricadas de acuerdo con las normas o documentos normalizados siguientes:

EN61029

Los documentos técnicos los guarda nuestro representante autorizado en Europa cuya persona es:

Makita International Europe Ltd,
Michigan, Drive, Tongwell,
Milton Keynes, MK15 8JD, Inglaterra

DANSK**Kun for lande i Europa****EU-konformitetserklæring**

Vi, Makita Corporation, erklærer, som den ansvarlige fabrikant, at den (de) følgende Makita maskine(r):

Maskinens betegnelse: Kombineret afkorter-geringssav
Model nr./ Type: LS0714, LS0714F, LS0714FL, LS0714L
er af serieproduktion og

opfylder betingelserne i de følgende EU-direktiver:

98/37/EC indtil 28. december 2009 og derefter med 2006/42/EC fra 29. december 2009

og er fremstillet i overensstemmelse med de følgende standarder eller standardiserede dokumenter:

EN61029

Den tekniske dokumentation opbevares af vores autoriserede repræsentant i Europa, som er:

Makita International Europe Ltd,
Michigan, Drive, Tongwell,
Milton Keynes, MK15 8JD, England

30 januari 2009
30 de enero de 2009

30 de janeiro de 2009
30. januar 2009



Tomoyasu Kato
Directeur Director
Director Direktør

Makita Corporation
3-11-8, Sumiyoshi-cho,
Anjo, Aichi, JAPAN

ΕΛΛΗΝΙΚΑ**Μόνο για χώρες της Ευρώπης****Δήλωση Συμμόρφωσης ΕΚ****Η Makita Corporation, ως ο υπεύθυνος κατασκευαστής, δηλώνει ότι τα/τα ακόλουθο(α) μηχάνημα(τα) της Makita:**

Χαρακτηρισμός μηχανήματος: Ολισθαίνοντα σύνθετο πριόνι

Αρ. μοντέλου/ Τύπος: LS0714, LS0714F, LS0714FL, LS0714L

είναι εν σειρά παραγωγή και συμμορφώνονται με τις ακόλουθες Ευρωπαϊκές Οδηγίες:

98/37/ΕΚ έως 28 Δεκεμβρίου 2009 και ακολούθως με την 2006/42/ΕΚ από 29 Δεκεμβρίου 2009

και κατασκευάζονται σύμφωνα με τα ακόλουθα πρότυπα ή έγγραφα τυποποίησης:

EN61029

Η τεχνική τεκμηρίωση φυλάσσεται από τον εξουσιοδοτημένο εκπρόσωπό μας στην Ευρώπη, δηλαδή τη:

Makita International Europe Ltd,
Michigan, Drive, Tongwell,
Milton Keynes, MK15 8JD, England (Αγγλία)

30 Ιανουαρίου 2009

Tomoyasu Kato
ΔιευθυντήςMakita Corporation
3-11-8, Sumiyoshi-cho,
Anjo, Aichi, JAPAN

ENGLISH

ENG102-3

Noise

The typical A-weighted noise level determined according to EN61029:

- Sound pressure level (L_{pA}): 92 dB (A)
- Sound power level (L_{WA}): 105 dB (A)
- Uncertainty (K): 3 dB (A)

Wear ear protection

ENG238-1

Vibration

The vibration emission value determined according to EN61029:

- Vibration emission (a_h): 2.5 m/s² or less
- Uncertainty (K): 1.5 m/s²

FRANÇAISE

ENG102-3

Bruit

Niveau de bruit pondéré A typique, déterminé selon EN61029 :

- Niveau de pression sonore (L_{pA}) : 92 dB (A)
- Niveau de puissance du son (L_{WA}) : 105 dB (A)
- Incertitude (K) : 3 dB (A)

Porter des protecteurs anti-bruit

ENG238-1

Vibrations

Valeur d'émission de vibrations déterminée selon EN61029 :

- Émission de vibrations (a_h) : 2,5 m/s² ou moins
- Incertitude (K) : 1,5 m/s²

DEUTSCH

ENG102-3

Geräusch

Typischer A-bewerteter Geräuschpegel ermittelt gemäß EN61029:

- Schalldruckpegel (L_{pA}): 92 dB (A)
- Schalleistungspegel (L_{WA}): 105 dB (A)
- Ungewissheit (K): 3 dB (A)

Gehörschutz tragen

ENG238-1

Vibration

Vibrationsemissionswert ermittelt gemäß EN61029:

- Vibrationsemission (a_h): 2,5 m/s² oder weniger
- Ungewissheit (K): 1,5 m/s²

ITALIANO

ENG102-3

Rumore

Il tipico livello di rumore pesato A determinato secondo EN61029:

- Livello pressione sonora (L_{pA}): 92 dB (A)
- Livello potenza sonora (L_{WA}): 105 dB (A)
- Incertezza (K): 3 dB (A)

Indossare i paraorecchi

ENG238-1

Vibrazione

Il valore emissione di vibrazione determinato secondo EN61029:

- Emissione di vibrazione (a_h): 2,5 m/s² o meno
- Incertezza (K): 1,5 m/s²

NEDERLANDS

ENG102-3

Geluidsniveau

De typisch, A-gewogen geluidsniveaus vastgesteld volgens EN61029:

- Geluidsdrukniveau (L_{pA}): 92 dB (A)
- Geluidsenergie-niveau (L_{WA}): 105 dB (A)
- Onnauwkeurigheid (K): 3 dB (A)

Drag oorbeschermers

ENG238-1

Trilling

De emissiewaarde van de trillingen vastgesteld volgens EN61029:

- Trillingsemisatie (a_h): 2,5 m/s² of lager
- Onnauwkeurigheid (K): 1,5 m/s²

ESPAÑOL

ENG102-3

Ruido

El nivel de ruido A-ponderado típico determinado de acuerdo con la norma EN61029:

- Nivel de presión sonora (L_{pA}): 92 dB (A)
- nivel de potencia sonora (L_{WA}): 105 dB (A)
- Error (K): 3 dB (A)

Póngase protectores en los oídos

ENG238-1

Vibración

El valor de emisión de la vibración determinado de acuerdo con la norma EN61029:

- Emisión de vibración (a_h): 2,5 m/s² o menos
- Error (K): 1,5 m/s²

PORTUGUÊS

ENG102-3

Ruído

A característica do nível de ruído A determinado de acordo com EN61029:

Nível de pressão de som (L_{pA}): 92 dB (A)

Nível do som (L_{WA}): 105 dB (A)

Variabilidade (K): 3 dB (A)

Utilize protectores para os ouvidos

ENG238-1

Vibração

Valor da emissão de vibração determinada conforme EN61029:

Emissão de vibração (a_h): 2,5 m/s² ou inferior

Variabilidade (K): 1,5 m/s²

DANSK

ENG102-3

Lyd

Det typiske A-vægtede støjniveau bestemt i overensstemmelse med EN61029:

Lydtryksniveau (L_{pA}): 92 dB (A)

Lydeffektniveau (L_{WA}): 105 dB (A)

Usikkerhed (K): 3 dB (A)

Bær høreværn

ENG238-1

Vibration

Vibrations emissionsværdi bestemt i overensstemmelse med EN61029:

Vibrationsafgivelse (a_h): 2,5 m/s² eller mindre

Usikkerhed (K): 1,5 m/s²

ΕΛΛΗΝΙΚΑ

ENG102-3

Θόρυβος

Το τυπικό Α επίπεδο καταμετρημένου θορύβου καθορίζεται σύμφωνα με το EN61029:

Πίεση ήχου (L_{pA}): 92 dB(A)

Δύναμη του ήχου (L_{WA}): 105 dB(A)

Αβεβαιότητα (K): 3 dB (A)

Φοράτε ωτοασπίδες

ENG238-1

Κραδασμός

Η τιμή πρόκλησης δόνησης καθορίζεται σύμφωνα με το EN61029:

Πρόκλησης δόνησης (a_h): 2,5 m/s² ή λιγότερο

Αβεβαιότητα (K): 1,5 m/s²

Makita Corporation

Anjo, Aichi, Japan

884547F997