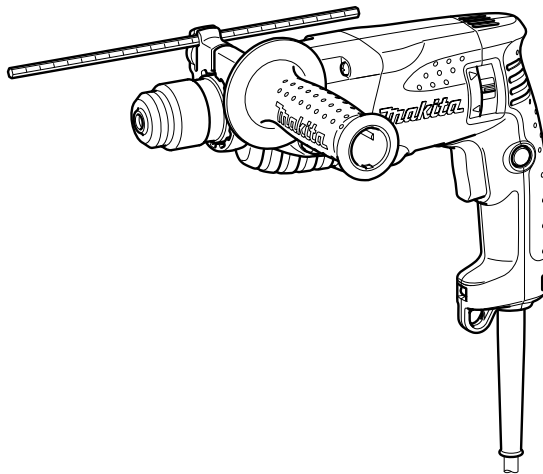
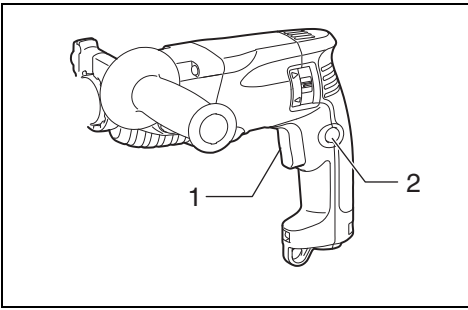




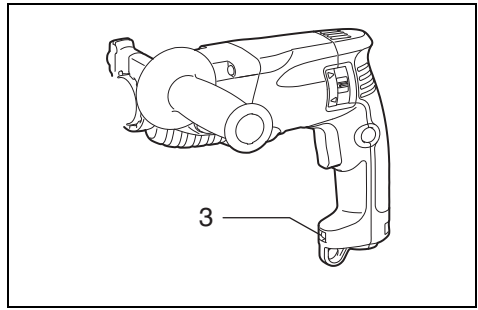
GB	Rotary Hammer	Instruction Manual
F	Perforateur	Manuel d'instructions
D	Bohrhammer	Betriebsanleitung
I	Martello rotativo	Istruzioni per l'uso
NL	Boorhamer	Gebruiksaanwijzing
E	Martillo rotativo	Manual de instrucciones
P	Martelete Rotativo	Manual de instruções
DK	Borehammer	Brugsanvisning
GR	Περιστροφικό σφυρί	Οδηγίες χρήσεως

HR1830
HR1830F

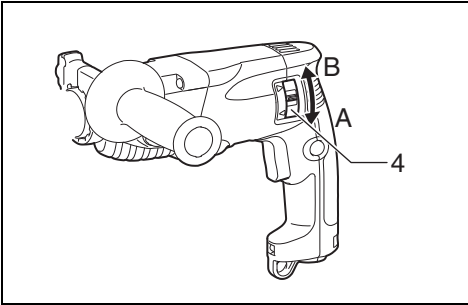




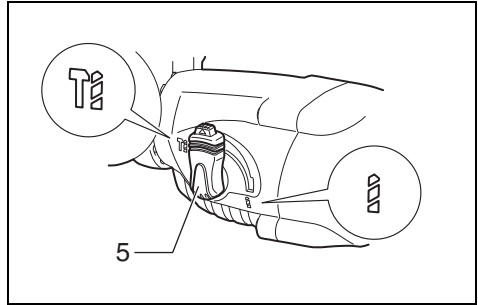
1



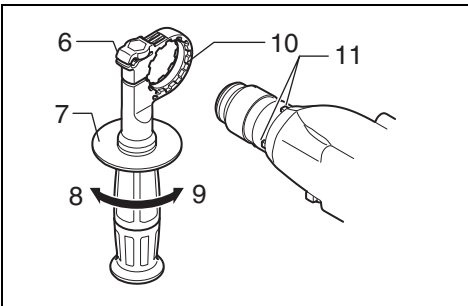
2



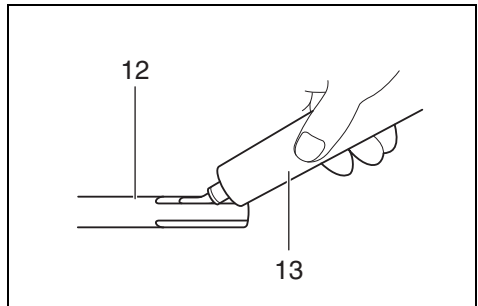
3



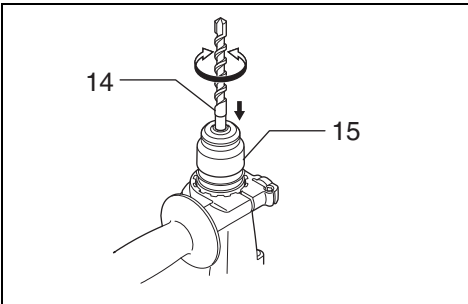
4



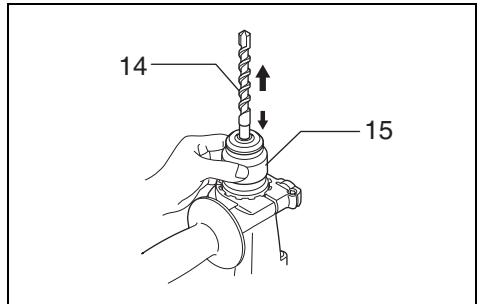
5



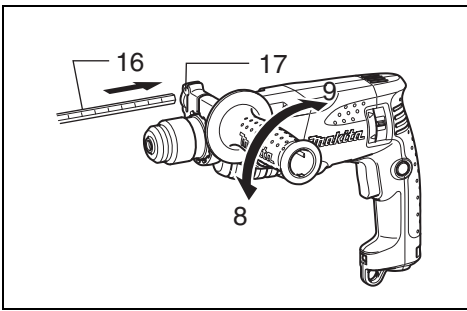
6



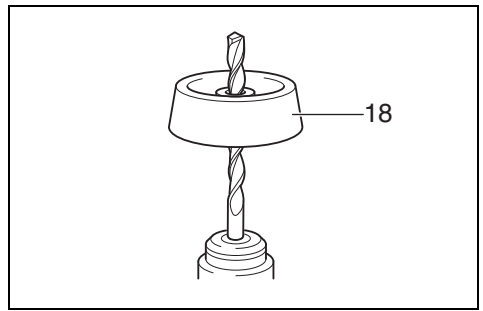
7



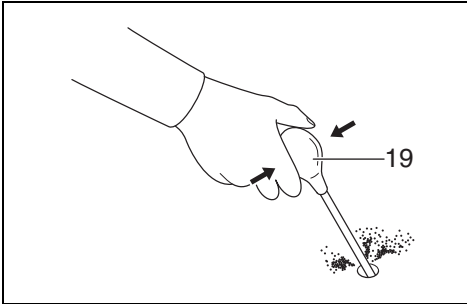
8



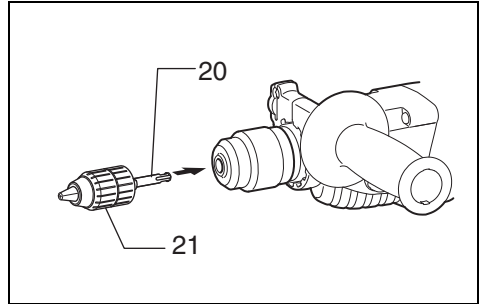
9



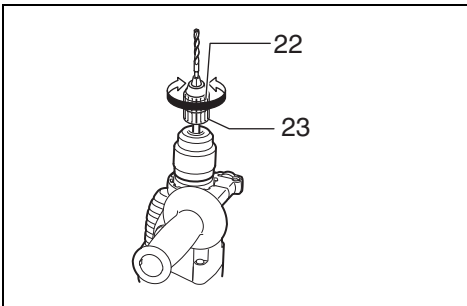
10



11



12



13

Explanation of general view

1 Switch trigger	9 Tighten	17 Hole of grip base
2 Lock button	10 Teeth	18 Dust cup
3 Lamp	11 Protrusion	19 Blow-out bulb
4 Reversing switch	12 Bit shank	20 Keyless drill chuck
5 Action mode changing knob	13 Bit grease	21 Chuck adapter
6 Grip base	14 Bit	22 Sleeve
7 Side grip	15 Chuck cover	23 Ring
8 Loosen	16 Depth gauge	

SPECIFICATIONS

Model	HR1830/HR1830F
Capacities	
Concrete	18 mm
Core bit	35 mm
Diamond core bit (dry type)	65 mm
Steel	13 mm
Wood	24 mm
No load speed (min ⁻¹)	0 – 1,500
Blows per minute	0 – 5,000
Overall length	279 mm
Net weight	1.9 kg
Safety class	II / II

- Due to our continuing program of research and development, the specifications herein are subject to change without notice.
- Specifications may differ from country to country.
- Weight according to EPTA-Procedure 01/2003

Intended use

The tool is intended for hammer drilling and drilling in brick, concrete and stone.
It is also suitable for drilling without impact in wood, metal, ceramic and plastic.

Power supply

The tool should be connected only to a power supply of the same voltage as indicated on the nameplate, and can only be operated on single-phase AC supply. They are double-insulated in accordance with European Standard and can, therefore, also be used from sockets without earth wire.

GEA010-1

General Power Tool Safety Warnings

⚠ WARNING Read all safety warnings and all instructions. Failure to follow the warnings and instructions may result in electric shock, fire and/or serious injury.

Save all warnings and instructions for future reference.

GEB007-6

ROTARY HAMMER SAFETY WARNING

DO NOT let comfort or familiarity with product (gained from repeated use) replace strict adherence to safety rules for the subject product. If you use this tool unsafely or incorrectly, you can suffer serious personal injury.

1. **Wear ear protectors.** Exposure to noise can cause hearing loss.
2. **Use auxiliary handle(s), if supplied with the tool.** Loss of control can cause personal injury.

3. **Hold power tools by insulated gripping surfaces, when performing an operation where the cutting accessory may contact hidden wiring or its own cord.** Cutting accessory contacting a "live" wire may make exposed metal parts of the power tool "live" and could give the operator an electric shock.
4. **Wear a hard hat (safety helmet), safety glasses and/or face shield. Ordinary eye or sun glasses are NOT safety glasses.** It is also highly recommended that you wear a dust mask and thickly padded gloves.
5. **Be sure the bit is secured in place before operation.**
6. **Under normal operation, the tool is designed to produce vibration. The screws can come loose easily, causing a breakdown or accident. Check tightness of screws carefully before operation.**
7. **In cold weather or when the tool has not been used for a long time, let the tool warm up for a while by operating it under no load. This will loosen up the lubrication. Without proper warm-up, hammering operation is difficult.**
8. **Always be sure you have a firm footing. Be sure no one is below when using the tool in high locations.**
9. **Hold the tool firmly with both hands.**
10. **Keep hands away from moving parts.**
11. **Do not leave the tool running. Operate the tool only when hand-held.**
12. **Do not point the tool at any one in the area when operating. The bit could fly out and injure someone seriously.**
13. **Do not touch the bit or parts close to the bit immediately after operation; they may be extremely hot and could burn your skin.**
14. **Some material contains chemicals which may be toxic. Take caution to prevent dust inhalation and skin contact. Follow material supplier safety data.**

SAVE THESE INSTRUCTIONS.

WARNING:

MISUSE or failure to follow the safety rules stated in this instruction manual may cause serious personal injury.

FUNCTIONAL DESCRIPTION

CAUTION:

- Always be sure that the tool is switched off and unplugged before adjusting or checking function on the tool.

Switch action (Fig. 1)

CAUTION:

- Before plugging in the tool, always check to see that the switch trigger actuates properly and returns to the "OFF" position when released.

To start the tool, simply pull the switch trigger. Tool speed is increased by increasing pressure on the switch trigger. Release the switch trigger to stop. For continuous operation, pull the switch trigger and then push in the lock button. To stop the tool from the locked position, pull the switch trigger fully, then release it.

Lighting up the lamps (Fig. 2)

For Model HR1830F only

CAUTION:

- Do not look in the light or see the source of light directly.

To turn on the lamp, pull the trigger. Release the trigger to turn it off.

NOTE:

- Use a dry cloth to wipe the dirt off the lens of lamp. Be careful not to scratch the lens of lamp, or it may lower the illumination.

Reversing switch action (Fig. 3)

This tool has a reversing switch to change the direction of rotation. Move the reversing switch lever to the ◁ position (A side) for clockwise rotation or the ▷ position (B side) for counterclockwise rotation.

CAUTION:

- Always check the direction of rotation before operation.
- Use the reversing switch only after the tool comes to a complete stop. Changing the direction of rotation before the tool stops may damage the tool.
- If the switch trigger can not be depressed, check to see that the reversing switch is fully set to position ◁ (A side) or ▷ (B side).

Selecting action mode (Fig. 4)

This tool employs an action mode changing knob. Select one of the two modes suitable for your work needs by using this knob.

For rotation only, depress the lock button and turn the knob so that the arrow on the knob points toward the ⚙ symbol on the tool body.

For rotation with hammering, depress the lock button and turn the knob so that the arrow on the knob points toward the ⚙⚡ symbol on the tool body.

CAUTION:

- Always set the knob fully to your desired mode symbol. If you operate the tool with the knob positioned halfway between the mode symbols, the tool may be damaged.
- Use the knob after the tool comes to a complete stop.

Torque limiter

The torque limiter will actuate when a certain torque level is reached. The motor will disengage from the output shaft. When this happens, the bit will stop turning.

CAUTION:

- As soon as the torque limiter actuates, switch off the tool immediately. This will help prevent premature wear of the tool.
- Hole saws cannot be used with this tool. They tend to pinch or catch easily in the hole. This will cause the torque limiter to actuate too frequently.

ASSEMBLY

CAUTION:

- Always be sure that the tool is switched off and unplugged before carrying out any work on the tool.

Side grip (auxiliary handle) (Fig. 5)

CAUTION:

- Always use the side grip to ensure operating safety.

Install the side grip so that the teeth on the grip fit in between the protrusions on the tool barrel. Then tighten the grip by turning clockwise at the desired position. It may be swung 360° so as to be secured at any position.

Bit grease

Coat the bit shank head beforehand with a small amount of bit grease (about 0.5 – 1 g).

This chuck lubrication assures smooth action and longer service life.

Installing or removing the bit

Clean the bit shank and apply bit grease before installing the bit. (Fig. 6)

Insert the bit into the tool. Turn the bit and push it in until it engages. (Fig. 7)

After installing, always make sure that the bit is securely held in place by trying to pull it out.

To remove the bit, pull the chuck cover down all the way and pull the bit out. (Fig. 8)

Depth gauge (Fig. 9)

The depth gauge is convenient for drilling holes of uniform depth. Loosen the side grip and insert the depth gauge into the hole in the side grip. Adjust the depth gauge to the desired depth and tighten the side grip.

NOTE:

- The depth gauge cannot be used at the position where the depth gauge strikes against the gear housing.

Dust cup (Fig. 10)

Use the dust cup to prevent dust from falling over the tool and on yourself when performing overhead drilling operations. Attach the dust cup to the bit as shown in Fig. 10. The size of bits which the dust cup can be attached to is as follows.


	Bit diameter
Dust cup 5	6 mm – 14.5 mm
Dust cup 9	12 mm – 16 mm

OPERATION

Hammer drilling operation

CAUTION:

- There is a tremendous and sudden twisting force exerted on the tool/bit at the time of hole breakthrough, when the hole becomes clogged with chips and particles, or when striking reinforcing rods embedded in the concrete. Always use the side grip (auxiliary handle) and firmly hold the tool by both side grip and switch handle during operations. Failure to do so may result in the loss of control of the tool and potentially severe injury.

When drilling in concrete, granite, etc., move the action mode changing knob to the position of  symbol to use "rotation with hammering" action.

Be sure to use a tungsten-carbide tipped bit.

Position the bit at the desired location for the hole, then pull the switch trigger. Do not force the tool. Light pressure gives best results. Keep the tool in position and prevent it from slipping away from the hole.

Do not apply more pressure when the hole becomes clogged with chips or particles. Instead, run the tool at an idle, then remove the bit partially from the hole. By repeating this several times, the hole will be cleaned out and normal drilling may be resumed.

NOTE:

- Eccentricity in the bit rotation may occur while operating the tool with no load. The tool automatically centers itself during operation. This does not affect the drilling precision.

Blow-out bulb (optional accessory) (Fig. 11)

After drilling the hole, use the blow-out bulb to clean the dust out of the hole.

Drilling in wood or metal (Fig. 12 & 13)

Use the optional drill chuck assembly. When installing it, refer to "Installing or removing drill bit" described on the previous page.

Hold the ring and turn the sleeve counterclockwise to open the chuck jaws. Place the bit in the chuck as far as it will go. Hold the ring firmly and turn the sleeve clockwise to tighten the chuck.

To remove the bit, hold the ring and turn the sleeve counterclockwise. Set the action mode changing knob to "rotation only".

You can drill up to 13 mm diameter in metal and up to 24 mm diameter in wood.

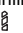
Never use "rotation with hammering" when the drill chuck assembly is installed on the tool. The drill chuck assembly may be damaged.

Also, the drill chuck will come off when reversing the tool.

CAUTION:

- Pressing excessively on the tool will not speed up the drilling. In fact, this excessive pressure will only serve to damage the tip of your bit, decrease the tool performance and shorten the service life of the tool.
- There is a tremendous twisting force exerted on the tool/bit at the time of hole breakthrough. Hold the tool firmly and exert care when the bit begins to break through the workpiece.
- A stuck bit can be removed simply by setting the reversing switch to reverse rotation in order to back out. However, the tool may back out abruptly if you do not hold it firmly.
- Always secure small workpieces in a vise or similar hold-down device.

Diamond core drilling

When performing diamond core drilling operations, always set the change lever to the  position to use "rotation only" action.

CAUTION:

- If performing diamond core drilling operations using "rotation with hammering" action, the diamond core bit may be damaged.

MAINTENANCE

CAUTION:

- Always be sure that the tool is switched off and unplugged before attempting to perform inspection or maintenance.

To maintain product SAFETY and RELIABILITY, repairs, carbon brush inspection and replacement, any other maintenance or adjustment should be performed by Makita Authorized Service Centers, always using Makita replacement parts.

ACCESSORIES

CAUTION:

- These accessories or attachments are recommended for use with your Makita tool specified in this manual. The use of any other accessories or attachments might present a risk of injury to persons. Only use accessory or attachment for its stated purpose.

If you need any assistance for more details regarding these accessories, ask your local Makita Service Center.

- SDS Plus Carbide-tipped bits
- Core bit
- Diamond core bit
- Drill chuck assembly
- Drill chuck S13
- Chuck adapter
- Chuck key S13
- Bit grease
- Side grip
- Depth gauge
- Blow-out bulb
- Dust cup
- Dust extractor attachment
- Safety goggles
- Plastic carrying case
- Keyless drill chuck

Noise

The typical A-weighted noise level determined according to EN60745:

Sound pressure level (L_{pA}): 86 dB (A)

Sound power level (L_{wA}): 97 dB (A)

Uncertainty (K): 3 dB (A)

Wear ear protection

ENG217-2

Vibration

The vibration total value (tri-axial vector sum) determined according to EN60745:

Work mode: hammer drilling into concrete

Vibration emission ($a_{h,HD}$): 14.0 m/s²

Uncertainty (K): 1.5 m/s²

ENG302-2

Work mode: drilling into metal

Vibration emission ($a_{h,D}$): 2.5 m/s² or less

Uncertainty (K): 1.5 m/s²

ENG901-1

- The declared vibration emission value has been measured in accordance with the standard test method and may be used for comparing one tool with another.
- The declared vibration emission value may also be used in a preliminary assessment of exposure.

WARNING:

- The vibration emission during actual use of the power tool can differ from the declared emission value depending on the ways in which the tool is used.
- Be sure to identify safety measures to protect the operator that are based on an estimation of exposure in the actual conditions of use (taking account of all parts of the operating cycle such as the times when the tool is switched off and when it is running idle in addition to the trigger time).

For European countries only**EC Declaration of Conformity**

We Makita Corporation as the responsible manufacturer declare that the following Makita machine(s):

Designation of Machine: Rotary Hammer

Model No./ Type: HR1830, HR1830F

are of series production and

Conforms to the following European Directives:

98/37/EC until 28th December 2009 and then with 2006/42/EC from 29th December 2009

And are manufactured in accordance with the following standards or standardised documents:

EN60745

The technical documentation is kept by our authorized representative in Europe who is:

Makita International Europe Ltd.

Michigan Drive, Tongwell,

Milton Keynes, MK15 8JD, England

30th January 2009



Tomoyasu Kato
Director


Makita Corporation
3-11-8, Sumiyoshi-cho,
Anjo, Aichi, JAPAN

Descriptif

1 Gâchette de l'interrupteur	9 Serrer	17 Orifice de l'embase de la poignée
2 Bouton de blocage	10 Crans	18 Collecteur à poussières
3 Lampe	11 Saillie	19 Poire soufflante
4 Gâchette d'inversion	12 Queue de foret	20 Mandrin auto-serrant
5 Sélecteur frappe et/ou rotation	13 Graisse de foret	21 Porte-mandrin
6 Embase de la poignée	14 Foret	22 Manchon
7 Poignée latérale	15 Cache du porte-outil	23 Anneau
8 Desserrer	16 Tige de profondeur	

SPÉCIFICATIONS

GEB007-6

Modèle	HR1830/HR1830F
Capacités	
Béton	18 mm
Trépan	35 mm
Trépan diamanté (type sec)	65 mm
Acier	13 mm
Bois	24 mm
Vitesse à vide (min ⁻¹)	0 – 1 500
Cadence de frappe/mn	0 – 5 000
Longueur totale	279 mm
Poids net	1,9 kg
Catégorie de sécurité	 //

- Étant donné l'évolution constante de notre programme de recherche et de développement, les spécifications contenues dans ce manuel sont sujettes à modification sans préavis.
- Les spécifications peuvent varier suivant les pays.
- Poids selon la procédure EPTA 01/2003

Utilisations

L'outil est conçu pour être utilisé en tant que marteau perforateur ou perceuse pour la brique, le béton et la pierre.

Il convient également au perçage sans impact dans le bois, le métal, la céramique et le plastique.

Alimentation

L'outil ne devra être raccordé qu'à une alimentation de la même tension que celle qui figure sur la plaque signalétique, et il ne pourra fonctionner que sur un courant secteur monophasé. Réalisé avec une double isolation, il est conforme à la réglementation européenne et peut de ce fait être alimenté sans mise à la terre.

GEA010-1

Consignes de sécurité générales pour outils électriques

⚠ MISE EN GARDE Veuillez lire toutes les mises en garde et toutes les instructions. Il y a risque de choc électrique, d'incendie et/ou de blessure grave si les mises en garde et les instructions ne sont pas respectées.

Conservez toutes les mises en garde et instructions pour référence ultérieure.

CONSIGNE DE SÉCURITÉ POUR LE MARTEAU PERFORATEUR

NE vous laissez PAS tromper (au fil d'une utilisation répétée) par un sentiment d'aisance et de familiarité avec le produit, en négligeant le respect rigoureux des consignes de sécurité qui accompagnent le produit en question. Si vous n'utilisez pas cet outil de façon sûre et adéquate, vous courez un risque de blessure grave.

1. **Portez des protections d'oreilles.** L'exposition au bruit peut entraîner la surdité.
2. **Utilisez la ou les poignée(s) auxiliaire(s), si l'outil en possède.** Toute perte de maîtrise comporte un risque de blessure.
3. **Saisissez l'outil électrique par ses surfaces de poigne isolées lorsque vous effectuez une opération au cours de laquelle l'outil tranchant peut entrer en contact avec un câble caché ou avec son propre cordon d'alimentation.** Le contact de l'outil tranchant avec un fil sous tension peut mettre les parties métalliques de l'outil électrique sous tension et causer un choc électrique chez l'utilisateur.
4. **Portez une coiffure résistante (un casque de sécurité), des lunettes de sécurité et/ou une visière. Les lunettes ordinaires et les lunettes de soleil ne sont PAS des lunettes de sécurité. Nous vous recommandons également de porter un masque antipoussières et des gants très épais.**
5. **Assurez-vous que le foret est bien serré avant d'utiliser l'outil.**
6. **Même en conditions normales d'utilisation, l'outil produit des vibrations. Les vis peuvent ainsi se relâcher facilement, ce qui risque d'entraîner une rupture de pièce ou un accident. Avant l'utilisation, vérifiez que les vis sont bien serrées.**
7. **À basse température ou lorsque l'outil est resté inutilisé pour une période prolongée, laissez-le réchauffer un instant en le faisant fonctionner à vide. Cela permettra au lubrifiant de réchauffer. La perforation sera difficile si l'outil n'est pas bien réchauffé.**
8. **Assurez-vous toujours d'une bonne position d'équilibre. Assurez-vous que personne ne se trouve dessous lorsque vous utilisez l'outil dans une position ou un emplacement élevé.**
9. **Tenez toujours l'outil fermement à deux mains.**
10. **Gardez les mains éloignées des pièces en mouvement.**

11. Ne laissez pas l'outil tourner inutilement. Ne faites fonctionner l'outil qu'une fois que vous l'avez bien en main.
12. Pendant l'utilisation de l'outil, ne le pointez vers personne dans la zone de travail. Vous risqueriez de blesser gravement quelqu'un en cas d'éjection du foret.
13. Ne touchez ni le foret ni les pièces adjacentes immédiatement après l'utilisation de l'outil. Ils risquent d'être extrêmement chauds et de vous brûler gravement la peau.
14. Certains matériaux contiennent des produits chimiques qui peuvent être toxiques. Prenez les précautions nécessaires pour ne pas inhaler les poussières qu'ils dégagent et pour éviter tout contact avec la peau. Conformez-vous aux consignes de sécurité du fabricant.

CONSERVEZ CES INSTRUCTIONS.

AVERTISSEMENT :

La MAUVAISE UTILISATION de l'outil ou l'ignorance des consignes de sécurité indiquées dans ce manuel d'instructions peut entraîner une blessure grave.

DESCRIPTION DU FONCTIONNEMENT

ATTENTION :

- Assurez-vous toujours que l'outil est hors tension et débranché avant d'ajuster l'outil ou de vérifier son fonctionnement.

Interrupteur (Fig. 1)

ATTENTION :

- Avant de brancher l'outil, vérifiez toujours que la gâchette de l'interrupteur fonctionne et qu'elle revient sur la position "OFF" une fois relâchée.

Pour mettre l'outil en route, il suffit de tirer sur la gâchette de l'interrupteur. Plus vous appuyez sur la gâchette de l'interrupteur, plus la vitesse de l'outil augmente. Pour arrêter l'outil, relâchez la gâchette de l'interrupteur. Pour obtenir un fonctionnement continu, tirez sur la gâchette de l'interrupteur et appuyez sur le bouton de blocage. Pour arrêter l'outil lorsqu'il fonctionne en continu, tirez à fond sur la gâchette de l'interrupteur et relâchez-la.

Allumage de la lampe (Fig. 2)

Pour le modèle HR1830F uniquement

ATTENTION :

- Évitez de regarder directement le faisceau lumineux ou sa source.

Pour allumer la lampe, appuyez sur la gâchette. Pour l'éteindre, relâchez la gâchette.

NOTE :

- Utilisez un chiffon sec pour essuyer la saleté qui recouvre la lentille de la lampe. Prenez garde de rayer la lentille de la lampe, pour éviter une diminution de l'éclairage.

Inverseur (Fig. 3)


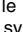
Cet outil est muni d'une gâchette d'inversion pour modifier le sens de rotation. Déplacez la gâchette d'inversion sur la position ◀ (côté A) pour une rotation dans le sens des aiguilles d'une montre, ou sur la position ▶ (côté B) pour une rotation en sens inverse.

ATTENTION :

- Vérifiez toujours le sens de rotation avant de mettre l'outil en marche.
- Attendez que l'outil soit complètement arrêté avant d'utiliser l'inverseur. Vous risquez d'endommager l'outil si vous changez le sens de rotation avant qu'il ne soit complètement arrêté.
- S'il n'est pas possible d'enfoncer la gâchette, assurez-vous que l'inverseur se trouve parfaitement sur la position ◀ (côté A) ou ▶ (côté B).

Sélection du mode de fonctionnement (Fig. 4)

L'outil possède un sélecteur frappe et/ou rotation. Sélectionnez l'un des deux modes en fonction de la nature du support.

Pour obtenir un mouvement de rotation seulement, enfoncez le bouton de blocage de sorte que la flèche du bouton pointe vers le symbole  sur le corps de l'outil. Pour obtenir un mouvement de rotation avec percussion, enfoncez le bouton de blocage et tournez le bouton de sorte que la flèche du bouton pointe vers le symbole  sur le corps de l'outil.

ATTENTION :

- Poussez toujours le sélecteur bien à fond sur le symbole voulu. Si vous faites marcher l'outil alors que le sélecteur se trouve à mi-chemin des deux symboles, vous risquez de l'endommager.
- N'activez le bouton qu'une fois l'outil parfaitement arrêté.

Limiteur de couple

Le limiteur de couple se déclenche dès qu'un certain couple est atteint. Le moteur débraye, et dans ce cas, le foret cesse de tourner.

ATTENTION :

- Dès que le limiteur de couple se déclenche, arrêtez l'outil. Ceci permettra d'éviter toute usure prématurée de l'outil.
- Avec cet outil vous ne pourrez utiliser pas scies cloches. Ils auraient tendance à se bloquer, ce qui déclencherait constamment le limiteur de couple.

ASSEMBLAGE

ATTENTION :

- Assurez-vous toujours que l'outil est hors tension et débranché avant d'effectuer toute intervention sur l'outil.

Poignée latérale (poignée auxiliaire) (Fig. 5)

ATTENTION :

- Pour garantir un travail en toute sécurité, utilisez toujours la poignée latérale.

Installez la poignée latérale de façon que les crans de la poignée s'insèrent entre les saillies du collet de l'outil. Puis, serrez la poignée en la tournant vers la droite sur la position voulue. Elle pivote sur 360°, ce qui permet de la fixer à n'importe quelle position.

Graisse de foret

Avant de procéder, enduisez la queue du foret d'une légère couche de graisse (environ 0,5 – 1 g).

Cette lubrification du porte-outil assurera un fonctionnement en douceur et une longue durée de service.

Installation ou retrait du foret

Nettoyez la queue du foret et appliquez-lui de la graisse rose avant d'installer le foret. (Fig. 6)

Enfoncez le foret dans l'outil. Tournez le foret et enfoncez-le jusqu'au dé clic. (Fig. 7)

Après le montage, exercez toujours une traction vigoureuse sur le foret pour vérifier qu'il soit correctement verrouillé.

Pour retirer le foret, tirez le cache à fond vers le bas et sortez le foret. (Fig. 8)

Tige de profondeur (Fig. 9)

La tige de profondeur vous permet de percer des trous de longueur uniforme. Desserrez la poignée latérale et insérez la tige de profondeur dans l'orifice de la poignée latérale. Réglez la tige à la profondeur voulue puis serrez la poignée latérale.

NOTE :

- La tige de profondeur ne pourra pas être utilisée à l'endroit où elle bute sur le carter d'engrenage/carter moteur.

Collecteur à poussières (Fig. 10)

Pour éviter que la poussière qui s'échappe du trou ne tombe sur vous lors d'un travail au plafond, utilisez le collecteur. Engager le collecteur sur le foret comme indiqué sur la Fig. 10. La taille de forets qu'il est possible de fixer au collecteur est comme suit.

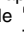
	Diamètre de foret
Collecteur 5	6 mm – 14,5 mm
Collecteur 9	12 mm – 16 mm

UTILISATION

Perçage

ATTENTION :

- Il s'exerce brusquement une force de torsion considérable sur l'outil/la mèche au moment où l'orifice se perce, où il devient obstrué de copeaux et de particules, ou lorsque l'outil heurte les armatures métalliques du béton armé. En cours de perçage, toujours utiliser la poignée latérale (poignée auxiliaire) et tenir fermement l'outil à la fois avec la poignée latérale et avec la poignée révoluer. Sinon, l'on risque de perdre le contrôle de l'outil et de se blesser gravement.

Lorsque vous percez dans le béton, le granite, etc., déplacez le sélecteur frappe et/ou rotation sur la position indiquée par le symbole  pour utiliser un mouvement de "rotation avec percussion".

Vous devez utiliser un foret à pointe de carbure de tungstène.

Posez la pointe du foret à l'emplacement du trou à percer et pressez sur la gâchette de l'interrupteur. Ne forcez pas sur l'outil. Une pression légère vous donnera les meilleurs résultats. Maintenez bien l'outil en position et veillez qu'il ne dérape pas hors du trou.

N'augmentez pas la pression sur l'outil lorsque le trou est bouché par des copeaux ou des particules. Au contraire, laissez le moteur tourner au ralenti, puis retirez en partie le foret du trou. Si vous répétez cette opération plusieurs fois de suite, le trou se débouchera, et vous pourrez reprendre le perçage normalement.

NOTE :

- Lorsque l'outil fonctionne à vide, il se peut que le foret tourne de manière excentrique. L'outil se centrera lui-même lors de l'utilisation avec charge. La précision du perçage n'est donc pas affectée.

Poire soufflante (accessoire en option) (Fig. 11)

Une fois le trou percé, utilisez la poire soufflante pour retirer la poussière du trou.

Perçage du bois ou du métal (Fig. 12 et 13)

Utilisez l'ensemble mandrin en option. Lors de son installation, reportez-vous à "Installation ou retrait du foret", à la page précédente.

Saisissez l'anneau et tournez le manchon en sens inverse des aiguilles d'une montre pour ouvrir les mâchoires du mandrin. Placez le foret/l'embout dans le mandrin en l'enfonçant le plus loin possible. Saisissez fermement l'anneau et tournez le manchon en sens des aiguilles d'une montre pour serrer le mandrin.

Pour retirer le foret/l'embout, saisissez l'anneau et tournez le manchon en sens inverse des aiguilles d'une montre. Réglez le sélecteur de frappe et/ou rotation sur "rotation seulement".

Vous pouvez percer jusqu'à un diamètre de 13 mm dans le métal et de 24 mm dans le bois.

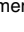
N'utilisez jamais la "rotation avec percussion" lorsque le porte-mandrin est engagé dans la machine, car vous pourriez endommager l'ensemble.

Par ailleurs, le verrouillage n'étant pas assuré, vous risquez de voir l'ensemble mandrin se détacher et tomber par terre.

ATTENTION :

- Une pression excessive sur l'outil n'accélère pas le perçage. Au contraire, elle risque d'endommager la pointe du foret, de réduire le rendement de l'outil et donc sa durée de service.
- Une force énorme s'exerce sur le foret et l'outil quand le premier émerge sur la face postérieure. Tenez votre outil fermement et faites bien attention dès que le foret commence à approcher de la face opposée du matériau que vous percez.
- Un foret coincé peut se retirer en plaçant l'inverseur sur la direction opposée. Il faut alors faire très attention car l'outil risque de reculer brusquement si vous ne le tenez pas fermement.
- Assurez toujours les petites pièces à percer à l'aide d'un étai ou d'un mode de fixation analogue.

Perçage avec le trépan diamanté

Lors des opérations de perçage avec un trépan diamanté, placez toujours le levier de mode de fonctionnement sur la position  pour obtenir un mouvement de "rotation seulement".

ATTENTION :

- Si vous percez avec un trépan diamanté sur la position "rotation avec percussion", le trépan diamanté peut être endommagé.

ENTRETIEN

ATTENTION :

- Assurez-vous toujours que l'outil est hors tension et débranché avant d'y effectuer tout travail d'inspection ou d'entretien.

Pour maintenir la SÉCURITÉ et la FIABILITÉ du produit, les réparations, l'inspection et le remplacement des charbons, et tout autre travail d'entretien ou de réglage doivent être effectués dans un centre de service Makita agréé, exclusivement avec des pièces de rechange Makita.

ACCESSOIRES

ATTENTION :

- Les accessoires ou pièces supplémentaires qui suivent sont recommandés pour l'utilisation avec l'outil Makita spécifié dans ce manuel. L'utilisation de tout autre accessoire ou pièce supplémentaire peut comporter un risque de blessure. Utilisez uniquement l'accessoire ou la pièce supplémentaire dans le but spécifié.

Pour obtenir plus de détails sur ces accessoires, contactez votre Centre d'Entretien local Makita.

- Foret à pointe en carbure SDS plus
- Trépan
- Trépan diamanté
- Ensemble mandrin
- Mandrin S13
- Porte-mandrin
- Clé à mandrin S13
- Graisse de foret
- Poignée latérale
- Tige de profondeur
- Poire soufflante
- Collecteur à poussières
- Accessoire d'extraction de poussière
- Lunettes de sécurité
- Mallette de transport en plastique
- Mandrin auto-serrant

ENG102-3

Bruit

Niveau de bruit pondéré A typique, déterminé selon EN60745 :

- Niveau de pression sonore (L_{pA}) : 86 dB (A)
- Niveau de puissance sonore (L_{wA}) : 97 dB (A)
- Incertitude (K) : 3 dB (A)

Porter des protecteurs anti-bruit

ENG217-2

Vibrations

Valeur totale de vibrations (somme de vecteur triaxial) déterminée selon EN60745 :

- Mode de travail : perçage avec martelage dans le béton
- Émission de vibrations ($a_{h,HD}$) : 14,0 m/s²
- Incertitude (K) : 1,5 m/s²

ENG302-2

- Mode de travail : Perçage dans le métal
- Émission de vibrations ($a_{h,D}$) : 2,5 m/s² ou moins
- Incertitude (K) : 1,5 m/s²

- La valeur d'émission de vibrations déclarée a été mesurée conformément à la méthode de test standard et peut être utilisée pour comparer les outils entre eux.
- La valeur d'émission de vibrations déclarée peut aussi être utilisée pour l'évaluation préliminaire de l'exposition.

AVERTISSEMENT :

- L'émission de vibrations lors de l'usage réel de l'outil électrique peut être différente de la valeur d'émission déclarée, suivant la façon dont l'outil est utilisé.
- Les mesures de sécurité à prendre pour protéger l'utilisateur doivent être basées sur une estimation de l'exposition dans des conditions réelles d'utilisation (en tenant compte de toutes les composantes du cycle d'utilisation, comme par exemple le moment de sa mise hors tension, lorsqu'il tourne à vide et le moment de son déclenchement).

ENH101-13

Pour les pays d'Europe uniquement

Déclaration de conformité CE

Makita Corporation, en tant que fabricant responsable, déclare que la ou les machines suivantes :

Désignation de la machine : Perforateur
N° de modèle / Type : HR1830, HR1830F
sont produites en série et

sont conformes aux Directives européennes suivantes :

98/37/CE jusqu'au 28 décembre 2009, puis 2006/42/CE à compter du 29 décembre 2009

et qu'elles sont fabriquées conformément aux normes ou documents normalisés suivants :

EN60745

La documentation technique est conservée par notre représentant agréé en Europe, à savoir :

Makita International Europe Ltd.
Michigan Drive, Tongwell,
Milton Keynes, MK15 8JD, Angleterre

30 janvier 2009



Tomoyasu Kato
Directeur

Makita Corporation
3-11-8, Sumiyoshi-cho,
Anjo, Aichi, JAPAN

Übersicht

1	Elektronikschalter	9	Festziehen	17	Loch der Griffbasis
2	Schalterarretierung	10	Innenverzahnung	18	Staubschutzkappe
3	Lampe	11	Außenverzahnung	19	Ausbläser
4	Drehrichtungsumschalter	12	Bohrerschaft	20	Schlüsselloses Bohrfutter
5	Betriebsartenschalter	13	Bohrerfett	21	Bohrfutteradapter
6	Griffbasis	14	Bohrer	22	Werkzeugverriegelung
7	Zusatzhandgriff	15	Werkzeugverriegelung	23	Klemmring
8	Lösen	16	Tiefenanschlag		

TECHNISCHE DATEN

Modell	HR1830/HR1830F
Bohrleistung	
Beton.....	18 mm
Bohrkronen.....	35 mm
Diamantbohrkronen (Trockentyp).....	65 mm
Stahl.....	13 mm
Holz.....	24 mm
Leerlaufdrehzahl (min ⁻¹).....	0 – 1 500
Schlagzahl.....	0 – 5 000
Gesamtlänge.....	279 mm
Nettogewicht.....	1,9 kg
Sicherheitsklasse	II / I

- Wir behalten uns vor, Änderungen im Zuge der Entwicklung und des technischen Fortschritts ohne vorherige Ankündigung vorzunehmen.
- Die technischen Daten können von Land zu Land abweichen.
- Gewicht nach EPTA-Verfahren 01/2003

Vorgesehene Verwendung

Das Werkzeug ist für Schlagbohren und Bohren in Ziegel, Beton und Stein vorgesehen.
 Sie eignet sich auch für normales Bohren in Holz, Metall, Keramik und Kunststoff.

Stromversorgung

Die Maschine darf nur an die auf dem Typenschild angegebene Spannung angeschlossen werden und arbeitet nur mit Einphasen-Wechselspannung. Sie ist entsprechend den Europäischen Richtlinien doppelt schutzisoliert und kann daher auch an Steckdosen ohne Erdungskabel angeschlossen werden.

GEA010-1

Allgemeine Sicherheitswarnungen für Elektrowerkzeuge

⚠️ WARNUNG Lesen Sie alle Sicherheitswarnungen und Anweisungen durch. Eine Missachtung der unten aufgeführten Warnungen und Anweisungen kann zu einem elektrischen Schlag, Brand und/oder schweren Verletzungen führen.

Bewahren Sie alle Warnungen und Anweisungen für spätere Bezugnahme auf.

GEB007-6

BOHRHAMMER-SICHERHEITSWARNUNG

Lassen Sie sich **NICHT** durch Bequemlichkeit oder Vertrautheit mit dem Produkt (durch wiederholten Gebrauch erworben) von der strikten Einhaltung der Sicherheitsregeln für das vorliegende Produkt abhalten. Wenn Sie dieses Werkzeug auf unsichere oder unsachgemäße Weise benutzen, können Sie schwere Verletzungen erleiden.

- 1. Tragen Sie Gehörschützer.** Lärmeinwirkung kann zu Gehörverlust führen.
- 2. Benutzen Sie (einen) Zusatzgriff(e), sofern er (sie) mit dem Werkzeug geliefert wurde(n).** Verlust der Kontrolle kann Verletzungen verursachen.
- 3. Halten Sie Elektrowerkzeuge nur an den isolierten Griffflächen, wenn Sie Arbeiten ausführen, bei denen die Gefahr besteht, dass verborgene Kabel oder das eigene Kabel kontaktiert werden.** Bei Kontakt mit einem Strom führenden Kabel können die freiliegenden Metallteile des Elektrowerkzeugs ebenfalls Strom führend werden, so dass der Benutzer einen elektrischen Schlag erleiden kann.
- 4. Tragen Sie Schutzhelm, Schutzbrille und/oder Gesichtsschutz.** Eine gewöhnliche Brille oder Sonnenbrille ist **KEIN** Ersatz für eine Sicherheitsbrille. Das Tragen einer Staubmaske und dick gepolsterter Handschuhe ist ebenfalls zu empfehlen.
- 5. Vergewissern Sie sich vor der Arbeit, dass der Einsatz sicher montiert ist.**
- 6. Das Werkzeug ist so ausgelegt, dass es bei normalem Betrieb Vibrationen erzeugt.** Durch Lockerung von Schrauben kann es zu einem Ausfall oder Unfall kommen. Überprüfen Sie sorgfältig die Festigkeit der Schrauben vor der Arbeit.
- 7. Lassen Sie das Werkzeug bei niedrigen Temperaturen oder nach längerer Nichtbenutzung eine Zeit lang im Leerlauf warm laufen.** Dadurch wird die Schmierung verbessert. Betrieb im kalten Zustand erschwert die Schlagbohrarbeit.
- 8. Achten Sie stets auf sicheren Stand.** Vergewissern Sie sich bei Einsatz des Werkzeugs an hochgelegenen Arbeitsplätzen, dass sich keine Personen darunter aufhalten.
- 9. Halten Sie das Werkzeug mit beiden Händen fest.**
- 10. Halten Sie die Hände von beweglichen Teilen fern.**
- 11. Lassen Sie das Werkzeug nicht unbeaufsichtigt laufen.** Benutzen Sie das Werkzeug nur mit Handhaltung.
- 12. Richten Sie das Werkzeug während des Betriebs nicht auf umstehende Personen.** Der Einsatz könnte herausschnellen und schwere Verletzungen verursachen.
- 13. Vermeiden Sie eine Berührung des Bohreinsatzes oder der umliegenden Teile unmittelbar nach der Bearbeitung, weil die Teile noch sehr heiß sind und Hautverbrennungen verursachen können.**

14. Manche Materialien können giftige Chemikalien enthalten. Treffen Sie Vorsichtsmaßnahmen, um das Einatmen von Arbeitsstaub und Hautkontakt zu verhüten. Befolgen Sie die Sicherheitsdaten des Materialherstellers.

BEWAHREN SIE DIESE HINWEISE SORGFÄLTIG AUF.

WARNUNG:

MISSBRAUCH oder Missachtung der Sicherheitsvorschriften in dieser Anleitung können schwere Verletzungen verursachen.

FUNKTIONSBESCHREIBUNG

VORSICHT:

- Vergewissern Sie sich vor jeder Einstellung oder Funktionsprüfung der Maschine stets, dass sie ausgeschaltet und vom Stromnetz getrennt ist.

Schalterfunktion (Abb. 1)

VORSICHT:

- Vor dem Anschließen der Maschine an das Stromnetz stets überprüfen, ob der Elektronikschalter ordnungsgemäß funktioniert und beim Loslassen in die AUS-Stellung zurückkehrt.

Die Drehzahl erhöht sich durch verstärkte Druckausübung auf den Elektronikschalter. Zum Einschalten drücken Sie den Elektronikschalter. Zum Ausschalten lassen Sie den Schalter los. Für Dauerbetrieb drücken Sie den Elektronikschalter und gleichzeitig die Schalterarretierung. Zum Ausschalten des Dauerbetriebs den Elektronikschalter drücken und wieder loslassen.

Einschalten der Lampen (Abb. 2)

Nur für das Modell HR1830F

VORSICHT:



- Blicken Sie nicht direkt in das Licht oder die Lichtquelle.

Betätigen Sie den Ein-Aus-Schalter zum Einschalten der Lampe. Lassen Sie den Ein-Aus-Schalter zum Ausschalten der Lampe los.


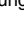
HINWEIS:

- Wischen Sie Schmutz auf der Linse der Lampe mit einem trockenen Tuch ab. Achten Sie sorgfältig darauf, dass Sie die Linse der Lampe nicht verkratzen, weil sich sonst die Lichtstärke verringert.

Drehrichtungsumschalter (Abb. 3)

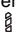
Dieses Werkzeug besitzt einen Drehrichtungsumschalter. Stellen Sie den Drehrichtungsumschalthebel für Rechtsdrehung auf die Stellung  (Seite A) oder für Linksdrehung auf die Stellung  (Seite B).


VORSICHT:

- Prüfen Sie stets die Drehrichtung, bevor Sie mit dem Bohren beginnen.
- Wechseln Sie niemals die Drehrichtung, bevor der Motor zum Stillstand gekommen ist. Anderenfalls kann die Maschine beschädigt werden.
- Falls sich der Ein-Aus-Schalter nicht hineindrücken lässt, prüfen Sie, ob der Drehrichtungsumschalter vollständig auf der Stellung  (Seite A) oder  (Seite B) steht.

Wahl der Betriebsart (Abb. 4)

Diese Maschine verfügt über einen Betriebsartenschalter, mit dem die jeweils gewünschte Betriebsart gewählt werden kann.

Für Bohren den Arretierknopf hineindrücken und den Drehknopf so drehen, dass der Pfeil am Drehknopf auf das entsprechende Symbol  am Werkzeuggehäuse zeigt.

Für Schlagbohren den Arretierknopf hineindrücken und den Drehknopf so drehen, dass der Pfeil am Drehknopf auf das entsprechende Symbol  am Werkzeuggehäuse zeigt.

VORSICHT:

- Den Betriebsartenschalter stets bis zum Anschlag auf das Symbol der gewünschten Betriebsart drehen. Durch den Betrieb in einer Zwischenstellung des Schalters kann die Maschine beschädigt werden.
- Betätigen Sie den Drehknopf erst, nachdem das Werkzeug völlig zum Stillstand gekommen ist.

Drehmomentbegrenzung

Die Rutschkupplung der Maschine begrenzt das Drehmoment auf einen werkseitig eingestellten Maximalwert. Bei Auslösen trennt die Rutschkupplung den Antrieb von der Bohrspindel und das Einsatzwerkzeug kommt zum Stillstand.

VORSICHT:

- Bei Auslösen der Rutschkupplung Maschine sofort abschalten, um frühzeitigen Verschleiß zu vermeiden.
- Lochsägen sind für den Einsatz in dieser Maschine nicht geeignet, da diese Einsatzwerkzeuge zu hohe Drehmomente abverlangen.

MONTAGE

VORSICHT:

- Vergewissern Sie sich vor der Ausführung von Arbeiten an der Maschine stets, dass sie ausgeschaltet und vom Stromnetz getrennt ist.

Zusatzhandgriff (Abb. 5)

VORSICHT:

- Zum Erhalt der Betriebssicherheit ist der Seitengriff beim Hammerbohrbetrieb stets zu verwenden.

Den Griff in der gewünschten Arbeitsposition mit der Innenverzahnung auf die Außenverzahnung des Maschinengehäuses stecken und durch Rechtsdrehung des Griffstücks festziehen. Der Zusatzhandgriff kann um 360° geschwenkt und in jeder beliebigen Stellung arretiert werden.

Bohrerfett

Den Aufnahmeschaft vor dem Einsetzen in das Gerät säubern und anschließend mit Bohrerfett schmieren (ca. 0,5 – 1,0 g).

Dies gewährleistet eine einwandfreie Funktion der Werkzeugaufnahme und einen minimalen Verschleiß des Aufnahmeschaftes.

Montage und Demontage des Bohrers

Den Bohrschaft vor der Montage des Bohrers reinigen und mit dem mitgelieferten Bohrer-/Meißelfett schmieren.

(Abb. 6)

Bohrer drehend in die Werkzeugaufnahme einführen und einschieben, bis es einrastet. (Abb. 7)

Prüfen Sie nach jedem Montagevorgang den sicheren Sitz des Bohrers durch Zugversuch.

Zur Demontage des Bohrers die Werkzeungsverriegelung bis zum Anschlag in Richtung Maschinengehäuse ziehen und der Bohrer entnehmen. (Abb. 8)

Tiefenanschlag (Abb. 9)

Die Bohrtiefe kann über den Tiefenanschlag eingestellt werden. Dazu lösen Sie den Zusatzhandgriff und führen den Tiefenanschlag in die Bohrung des Zusatzhandgriffes ein. Stellen Sie den Tiefenanschlag auf die gewünschte Bohrtiefe und ziehen anschließend den Zusatzhandgriff wieder fest.

HINWEIS:

- Bei Positionierung des Tiefenanschlages gegen das Getriebegehäuse kann dieser nicht verwendet werden.

Staubschutzkappe (Abb. 10)

Bei Überkopparbeiten die Staubschutzkappe verwenden, um zu verhindern, dass Staub auf den Bedienenden und die Werkzeugaufnahme fällt. Die Staubschutzkappe, wie in Abb. 10 gezeigt, auf dem Bohrer befestigen. Die Staubschutzkappe kann für folgende Bohrergrößen verwendet werden.

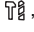
	Bohrerdurchmesser
Staubschutzkappe 5	6 mm – 14,5 mm
Staubschutzkappe 9	12 mm – 16 mm

BETRIEB

Hammerbohren

VORSICHT:

- Beim Durchbruch der Bohrung, bei Verstopfung der Bohrung mit Spänen und Partikeln, oder beim Auftreffen auf Betonstahl wirkt eine starke, plötzliche Drehkraft auf Maschine und Bohrer. Montieren Sie stets den Seitengriff (Zusatzgriff), und halten Sie die Maschine während der Arbeit mit beiden Händen an Seitengriff und Schaltergriff fest. Eine Missachtung dieser Vorsichtsmaßnahme kann den Verlust der Kontrolle über die Maschine und mögliche schwere Verletzungen zur Folge haben.

Drehen Sie den Betriebsart-Umschaltknopf zum Bohren in Beton, Granit usw. auf die Position des Symbols , um die Betriebsart "Schlagbohren" zu verwenden.

Verwenden Sie unbedingt einen Bohrer mit Hartmetallschneidspitze.

Den Bohrer erst an die gewünschte Position setzen und den Bohrvorgang dann durch Drücken des Elektronikschalters beginnen. Das Gerät im rechten Winkel zur Werkstückoberfläche sicher führen, um ein Abrutschen des Bohrers zu verhindern. Während des Bohrbetriebs nur den erforderlichen Gegendruck halten, der unmittelbar der Schlagenergie des Gerätes entgegenwirkt.

Sollte die Bohrmehlabfuhr (z. B. durch feuchtes Gestein) gestört sein, ziehen Sie den Bohrer aus der Bohrung heraus und entfernen Sie das Bohrmehl aus der Bohrung bzw. den Spiralnuten des Bohrers.

HINWEIS:

- Es kann zu einer Rundlaufabweichung in der Bohrerrotation kommen, wenn das Werkzeug mit Nulllast betrieben wird. Während des Betriebs zentriert sich das Werkzeug automatisch. Dies hat keinen Einfluss auf die Bohrgenauigkeit.

Ausbläser (Sonderzubehör) (Abb. 11)

Blasen Sie den Staub nach dem Bohren des Lochs mit einem Ausbläser aus dem Loch.

Bohren in Holz oder Metall (Abb. 12 u. 13)

Verwenden Sie den gesonderten Bohrfuttersatz. Nehmen Sie zur Montage auf den Abschnitt "Montage und Demontage des Bohrers" auf der vorhergehenden Seite Bezug.

Halten Sie den Klemmring fest, und drehen Sie die Werkzeugaufnahme entgegen dem Uhrzeigersinn, um die Bohrfutterbacken zu öffnen. Führen Sie das Einsatzwerkzeug bis zum Anschlag in das Spannfutter ein. Halten Sie den Klemmring fest, und drehen Sie die Werkzeugaufnahme im Uhrzeigersinn, um das Bohrfutter festzuziehen.

Zum Entfernen des Einsatzwerkzeugs halten Sie den Klemmring und drehen die Werkzeugaufnahme entgegen dem Uhrzeigersinn. Stellen Sie den Betriebsartenschalter auf die Position "Bohren".


Sie können Löcher von bis zu 13 mm Durchmesser in Metall und von bis zu 24 mm Durchmesser in Holz bohren.

Bei montiertem Bohrfutteradapter mit dem Bohrfutter darf keinesfalls die Betriebsart "Schlagbohren" gewählt werden. Bohrfutter und Bohrfutteradapter können andernfalls beschädigt werden bzw. das Bohrfutter kann sich bei Linkslauf öffnen.

VORSICHT:

- Ein zu starker Druck auf die Maschine bewirkt keine Beschleunigung der Bohrleistung. Ein zu hoher Schnittdruck führt zu einer Beschädigung der Bohrer Spitze und damit zu Verringerung der Bohrerstandzeit und Überanspruchung der Maschine.
- Beim Austritt des Bohrers aus dem Werkstück wirkt ein hohes Rückdrehmoment auf die Maschine. Deshalb die Maschine gut festhalten und den Vorschub verringern, wenn der Bohrer durch das Werkstück dringt.
- Ein festsitzender Bohrer lässt sich durch Umschalten der Drehrichtung auf Linkslauf wieder herausdrehen. Die Maschine ist gut festzuhalten, da im Linkslauf ein hohes Rückdrehmoment auf die Maschine auftritt.
- Kleine Werkstücke stets in einem Schraubstock einspannen oder mit einer Schraubzwinde sichern.

Bohren mit Diamantbohrkrone

Stellen Sie den Betriebsartumschalter beim Bohren mit Diamantbohrkrone immer auf die Position  für "Bohren".

VORSICHT:

- Werden Arbeiten mit der Diamantbohrkrone in der Betriebsart "Schlagbohren" ausgeführt, kann die Diamantbohrkrone beschädigt werden.

WARTUNG

VORSICHT:

- Denken Sie vor der Durchführung von Überprüfungen oder Wartungsarbeiten stets daran, die Maschine auszusuchen und vom Stromnetz zu trennen.

Um die SICHERHEIT und ZUVERLÄSSIGKEIT dieses Produkts aufrechtzuerhalten, sollten Reparaturen, Überprüfung und Austausch der Kohlebürsten und andere Wartungs- oder Einstellarbeiten nur von Makita-Kundendienstzentren unter ausschließlicher Verwendung von Makita-Originalersatzteilen ausgeführt werden.

ZUBEHÖR

VORSICHT:

- Die folgenden Zubehörteile oder Vorrichtungen werden für den Einsatz mit der in dieser Anleitung beschriebenen Makita-Maschine empfohlen. Die Verwendung anderer Zubehörteile oder Vorrichtungen kann eine Verletzungsgefahr darstellen. Verwenden Sie Zubehörteile oder Vorrichtungen nur für ihren vorgesehenen Zweck.

Wenn Sie weitere Einzelheiten bezüglich dieser Zubehörteile benötigen, wenden Sie sich bitte an Ihre Makita-Kundendienststelle.

- SDS Plus Einsatzwerkzeug mit Hartmetallspitze
- Bohrkrone
- Diamantkernbohrer
- Bohrfuttersatz
- Bohrfutter S13
- Bohrfutteradapter
- Bohrfutterschlüssel S13
- Bohrerfett
- Zusatzhandgriff
- Tiefenanschlag
- Ausbläser
- Staubschutzkappe
- Absaugset
- Schutzbrille
- Transportkoffer
- Schlüsselloses Bohrfutter

ENG102-3

Geräusch

Typischer A-bewerteter Geräuschpegel ermittelt gemäß EN60745:

Schalldruckpegel (L_{pA}): 86 dB (A)
 Schalleistungspegel (L_{wA}): 97 dB (A)
 Ungewissheit (K): 3 dB (A)

Gehörschutz tragen

ENG217-2

Vibration

Vibrationsgesamtwerk (Drei-Achsen-Vektorsumme) ermittelt gemäß EN60745:

Arbeitsmodus: Schlagbohren in Beton
 Vibrationsemission ($a_{h,HD}$): 14,0 m/s²
 Ungewissheit (K): 1,5 m/s²

ENG302-2

Arbeitsmodus: Bohren in Metall
 Vibrationsemission ($a_{h,D}$): 2,5 m/s² oder weniger
 Ungewissheit (K): 1,5 m/s²

- Der angegebene Vibrationsemissionswert wurde im Einklang mit der Standardprüfmethode gemessen und kann für den Vergleich zwischen Maschinen herangezogen werden.
- Der angegebene Vibrationsemissionswert kann auch für eine Vorbewertung des Gefährdungsgrads verwendet werden.

WARNUNG:

- Die Vibrationsemission während der tatsächlichen Benutzung des Elektrowerkzeugs kann je nach der Benutzungsweise der Maschine vom angegebenen Emissionswert abweichen.
- Identifizieren Sie Sicherheitsmaßnahmen zum Schutz des Benutzers anhand einer Schätzung des Gefährdungsgrads unter den tatsächlichen Benutzungsbedingungen (unter Berücksichtigung aller Phasen des Arbeitszyklus, wie z. B. Ausschalt- und Leerlaufzeiten der Maschine zusätzlich zur Betriebszeit).

ENH101-13

Nur für europäische Länder

EG-Übereinstimmungserklärung

Wir, die Firma Makita als verantwortlicher Hersteller, erklären, dass die folgende(n) Makita-Maschine(n):
 Bezeichnung der Maschine: Bohrhammer
 Modell-Nr./ Typ: HR1830, HR1830F
 der Serienproduktion entstammen und
den folgenden europäischen Richtlinien entsprechen:

98/37/EG bis 28. Dezember 2009 und dann 2006/42/EG ab 29. Dezember 2009

und gemäß den folgenden Standards oder standardisierten Dokumenten hergestellt werden:

EN60745

Die technische Dokumentation befindet sich im Bestand unserer autorisierten Vertretung in Europa, nämlich:

Makita International Europe Ltd.
 Michigan Drive, Tongwell,
 Milton Keynes, MK15 8JD, England

30. Januar 2009




Tomoyasu Kato
 Direktor

Makita Corporation
 3-11-8, Sumiyoshi-cho,
 Anjo, Aichi, JAPAN

Visione generale

1 Interruttore a grilletto	8 Per allentare	16 Asta di profondità
2 Bottone di bloccaggio	9 Per stringere	17 Foro base impugnatura
3 Lampadina	10 Dente	18 Scodellino della polvere
4 Leva di inversione	11 Sporgenze	19 Soffietto
5 Manopola di cambiamento modo di funzionamento	12 Codolo	20 Mandrino trapano senza chiave
6 Base manico	13 Grasso punta	21 Adattatore mandrino
7 Manico laterale	14 Punta	22 Manicotto
	15 Coperchio mandrino	23 Anello

DATI TECNICI

Modello	HR1830/HR1830F
Capacità	
Cemento.....	18 mm
Punta a corona.....	35 mm
Corona diamantata (tipo a secco).....	65 mm
Acciaio.....	13 mm
Legno.....	24 mm
Velocità a vuoto (min ⁻¹).....	0 – 1.500
Colpi al minuto.....	0 – 5.000
Lunghezza totale.....	279 mm
Peso netto.....	1,9kg
Classe di sicurezza	 II

- Per il nostro programma di ricerca e sviluppo continui, i dati tecnici sono soggetti a modifiche senza preavviso.
- I dati tecnici potrebbero differire a seconda del paese di destinazione del modello.
- Peso in base alla procedura EPTA 01/2003

Utilizzo previsto

L'utensile va usato per la foratura con martellamento e per la foratura dei mattoni, cemento e pietre. Esso è anche utilizzabile per la foratura senza impatto del legno, metallo, ceramica e plastica.

Alimentazione

L'utensile deve essere collegato ad una presa di corrente con la stessa tensione indicata sulla targhetta del nome, e può funzionare soltanto con la corrente alternata monofase. Esso ha un doppio isolamento in osservanza alle norme europee, per cui può essere usato con le prese di corrente sprovviste della messa a terra.

GEA010-1

Avvertimenti generali per la sicurezza dell'utensile elettrico

⚠ AVVERTIMENTO Leggere tutti gli avvertimenti per la sicurezza e le istruzioni. La mancata osservanza degli avvertimenti e delle istruzioni può causare scosse elettriche, incendio e/o gravi incidenti.

Conservare tutti gli avvertimenti e le istruzioni per riferimenti futuri.

GEB007-6

AVVERTIMENTO PER LA SICUREZZA MARTELLO ROTATIVO

NON lasciare che comodità o la familiarità d'utilizzo con il prodotto (acquisita con l'uso ripetuto) sostituisca la stretta osservanza delle norme di sicurezza. Se si usa questo utensile in modo insicuro o sballato, c'è pericolo di serie lesioni personali.

1. Indossare le protezioni delle orecchie. Il rumore può causare la perdita dell'udito.

2. Usare il manico ausiliario, se è in dotazione all'utensile. La perdita di controllo può provocare lesioni personali.
3. Tenere gli utensili elettrici per le superfici di presa isolate quando si eseguono operazioni in cui l'utensile da taglio potrebbe fare contatto con fili elettrici nascosti o con il suo stesso cavo di alimentazione. Se l'utensile da taglio entra in contatto con un filo elettrico "sotto tensione" mette "sotto tensione" le parti metalliche esposte dell'utensile, dando una scossa all'operatore.
4. Indossare un cappello duro (casco di sicurezza), occhiali di protezione e/o una visiera. I comuni occhiali e gli occhiali da sole NON sono occhiali di protezione. Si raccomanda anche in modo particolare di indossare una mascherina antipolvere e guanti imbottiti.
5. Controllare che la punta sia fissata saldamente prima di cominciare il lavoro.
6. L'utensile produce normalmente delle vibrazioni durante il lavoro. Le viti potrebbero facilmente allentarsi, causando un guasto o un incidente. Controllare con cura che le viti siano strette saldamente prima di cominciare il lavoro.
7. Se fa freddo, oppure se non è stato usato per un lungo periodo di tempo, far scaldare l'utensile facendolo funzionare per qualche tempo a vuoto. Ciò scioglie il lubrificante. L'operazione di martellamento diventa difficile se l'utensile non è riscaldato sufficientemente.
8. I piedi devono sempre essere appoggiati saldamente. Accertarsi che non ci sia nessuno sotto quando si usa l'utensile in un posto alto.
9. Tenere saldamente l'utensile con entrambe le mani.
10. Non posare l'utensile lasciandolo funzionare.
11. Far funzionare l'utensile soltanto tenendolo in mano.
12. Non puntare l'utensile sulle persone nell'area in cui viene usato. La punta potrebbe essere espulsa causando lesioni serie.
13. Non toccare la punta o le parti vicine alla punta immediatamente dopo l'utilizzo dell'utensile. Esse potrebbero essere estremamente calde e causare bruciature.
14. Alcuni materiali contengono sostanze chimiche che potrebbero essere tossiche. Fare attenzione per evitarne l'inalazione o il contatto con la pelle. Osservare i dati per la sicurezza forniti dal produttore del materiale.

CONSERVARE QUESTE ISTRUZIONI.

AVVERTIMENTO:

L'utilizzo SBAGLIATO o la mancata osservanza delle norme di sicurezza di questo manuale di istruzioni potrebbero causare lesioni serie.

DESCRIZIONE DELL'UTILIZZO

ATTENZIONE:

- Accertarsi sempre che l'utensile sia spento e non collegato alla presa di corrente prima di regolarlo o di controllarne il funzionamento.

Funzionamento dell'interruttore a grilletto (Fig. 1)

ATTENZIONE:

- Prima di collegare l'utensile alla presa di corrente, accertarsi sempre che l'interruttore a grilletto funzioni correttamente e torni sulla posizione "OFF" quando viene rilasciato.

Per avviare l'utensile, schiacciare semplicemente l'interruttore a grilletto. La velocità dell'utensile aumenta con l'aumentare della pressione sull'interruttore a grilletto. Rilasciare l'interruttore a grilletto per arrestare l'utensile. Per il funzionamento continuo, schiacciare l'interruttore a grilletto e spingere dentro il bottone di bloccaggio. Per arrestare l'utensile dalla posizione di bloccaggio, schiacciare completamente l'interruttore a grilletto e rilasciarlo.

Accensione delle lampadine (Fig. 2)

Soltanto per il modello HR1830F

ATTENZIONE:

- Non guardare la luce o guardare direttamente la fonte di luce.

Per accendere la lampadina, schiacciare il grilletto. Rilasciare il grilletto per spegnerla.

NOTA:

- Usare un panno asciutto per togliere lo sporco dalla lente della lampadina. Fare attenzione a non graffiare la lente della lampadina, perché ciò potrebbe ridurre l'illuminazione.

Funzionamento della leva di inversione (Fig. 3)

Questo utensile è dotato di un interruttore di inversione che consente di invertire il senso di rotazione. Portare la leva dell'interruttore di inversione in posizione ◁ (lato A) per la rotazione in senso orario, o in posizione ▷ (lato B) per la rotazione in senso antiorario.



ATTENZIONE:

- Controllare sempre la direzione di rotazione prima di far funzionare l'utensile.
- Usare la leva di inversione soltanto dopo che l'utensile si è arrestato completamente. Se si cambia la direzione di rotazione prima del suo arresto, si potrebbe danneggiarlo.
- Se l'interruttore non può essere premuto, accertarsi che l'interruttore di inversione si trovi completamente sulla posizione ◁ (lato A) o ▷ (lato B).

Selezione della modalità di funzionamento

(Fig. 4)

Questo utensile impiega una manopola di cambiamento del modo di funzionamento. Selezionate uno dei due modi più adatto al lavoro usando questa manopola.

Per la rotazione soltanto, schiacciare il bottone di bloccaggio e girare la manopola in modo che la freccia sulla manopola sia rivolta sul simbolo  sul corpo dell'utensile. Per la rotazione con martellamento, schiacciare il bottone di bloccaggio e girare la manopola in modo che la freccia sulla manopola sia rivolta sul simbolo  sul corpo dell'utensile.

ATTENZIONE:

- Girare sempre completamente la manopola sul simbolo del modo desiderato. Se si fa funzionare l'utensile con la manopola posizionata in un punto tra i due simboli, lo si può danneggiare.
- Usare la manopola dopo che l'utensile si è fermato completamente.

Limitatore di coppia

Il limitatore di coppia si attiva quando viene raggiunto un certo livello di coppia e il motore si disinnesta dall'albero motore. La punta smette allora di girare.

ATTENZIONE:

- Non appena il limitatore di coppia si attiva, arrestate immediatamente l'utensile. Ciò ne previene l'usura prematura.
- Con questo utensile non si possono usare seghe frontali a corona perché tendono a contrarsi o a penetrare facilmente nel foro causando la frequente attivazione del limitatore di coppia.

MONTAGGIO

ATTENZIONE:

- Accertarsi sempre che l'utensile sia spento e staccato dalla presa di corrente prima di un qualsiasi intervento sull'utensile.

Manico laterale (manico ausiliario) (Fig. 5)

ATTENZIONE:

- Usare sempre il manico laterale per garantire la sicurezza operativa.

Installare il manico laterale in modo che il dente del manico entri tra le sporgenze sul tamburo dell'utensile. Stringere poi il manico girandolo in senso orario sul punto desiderato. Esso può essere spostato di 360°, in modo da poter essere fissato in qualsiasi posizione.

Grasso della punta

Spalmate un codolo quantità di grasso (0,5 – 1,0 g circa) sulla testa del gambo della punta prima di cominciare il lavoro.

Questa lubrificazione ne assicura il movimento scorrevole e la lunga durata di servizio.

Installazione o rimozione della punta

Pulire il codolo e applicare il grasso per punte di installarla. (Fig. 6)

Inserire la punta nell'utensile. Girare la punta e spingerla finché non viene agganciata. (Fig. 7)

Dopo l'installazione, accertarsi sempre che la punta sia fissata saldamente in posizione provando a tirarla fuori.

Per togliere la punta, abbassare completamente il coperchio del mandrino e tirare fuori la punta. (Fig. 8)

Asta di profondità (Fig. 9)

Il asta di profondità è comodo per trapanare i fori a profondità uniformi. Allentare il manico laterale e inserire il asta di profondità nel foro del manico laterale. Regolare il asta di profondità alla profondità desiderata, e stringere il manico laterale.

NOTA:

- Il asta di profondità non può essere usata alla posizione dove sbatte contro l'alloggiamento dell'ingranaggio.

Scodellino della polvere (Fig. 10)

Usate lo scodellino della polvere per evitare che la polvere cada sull'utensile o su voi stessi quando trapanate un punto sopra la testa. Attaccate lo scodellino della polvere alla punta, come mostrato nella Fig. 10. Le dimensioni delle punte a cui si possono attaccare gli scodellini sono come segue.


	Diametro punta
Scodellino 5	6 mm – 14,5 mm
Scodellino 9	12 mm – 16 mm

FUNZIONAMENTO

Perforazione

ATTENZIONE:

- Al momento della trapanazione del foro, sull'utensile/punta viene esercitata una improvvisa e tremenda forza torcente quando il foro diventa intasato di bave e particelle, oppure quando sbatte contro le barre di rinforzo incastrate nel cemento armato. Usate sempre l'impugnatura laterale (manico ausiliario), tenete saldamente l'utensile per entrambe le impugnature laterali e cambiate manico durante l'uso. Se non fate ciò, potreste perdere il controllo dell'utensile con pericolo di ferite gravi.

Per forare il cemento, granito, ecc., spostare la manopola di cambiamento modo di funzionamento sulla posizione del simbolo  per usare il modo di "rotazione con martellamento".

Accertarsi di usare una punta al carburo di tungsteno. Piazzate la punta nel punto desiderato per il foro poi premete il grilletto. Non forzate l'utensile. Una leggera pressione dà i migliori risultati. Mantenete l'utensile in posizione ed evitate che scivoli via dal foro. Non esercitare ulteriori pressioni se il foro diventa intasato di schegge o particelle. Fate invece girare l'utensile alla velocità del minimo ed estraete parzialmente la punta dal foro. Ripetendo ciò diverse volte, il foro si pulisce e potete continuare la normale foratura.

NOTA:

- Durante il funzionamento senza carico dell'utensile, si potrebbe verificare l'eccentricità nella rotazione della punta. L'utensile si centra automaticamente durante il funzionamento. Ciò non ha alcun effetto sulla precisione della foratura.

Soffietto (accessorio opzionale) (Fig. 11)

Dopo la foratura, usare il soffietto per togliere la polvere dal foro.

Foratura del legno o metallo (Fig. 12 e 13)

Usare il gruppo mandrino trapano opzionale. Per installarlo, riferirsi a "Installazione o rimozione della punta" della pagina precedente.


Tenere fermo l'anello e girare il manicotto in senso antiorario per aprire le ganasce del portapunta. Inserire la punta nel portapunta finché non può andare più oltre. Tenere saldamente l'anello e girare il manicotto in senso orario per stringere il portapunta.

Per rimuovere la punta, tenere fermo l'anello e girare il manicotto in senso antiorario. Posizionare la manopola di cambiamento modo di funzionamento su "solo rotazione". Si può trapanare il metallo di un massimo di 13 mm di spessore e il legno di un massimo di 24 mm di spessore. Non si deve mai usare la "rotazione con percussione" quando il gruppo del mandrino di perforazione è installato sull'utensile, perché altrimenti lo si può danneggiare. Inoltre, quando si inverte la rotazione dell'utensile, il mandrino di perforazione si può staccare.

ATTENZIONE:

- Una pressione eccessiva sull'utensile non permette una lavorazione più veloce. Infatti questa eccessiva pressione servirà solo a danneggiare la punta, a diminuire le possibilità di lavorazione e aiuterà a danneggiare l'utensile più in fretta.
- Al momento dell'uscita dal foro sulla punta viene esercitata una forza tremenda. Tenere l'utensile ben fermo e fare attenzione al momento in cui la punta comincia ad uscire dall'altra parte del foro.
- Una punta che si è bloccata può essere liberata inserendo il moto inverso dell'utensile. Anche in questo caso, l'utensile torna indietro di colpo se non lo si tiene ben fermo.
- Sempre fissare pezzi piccoli su morse oppure altri strumenti di fissaggio.

Foratura con la corona diamantata

Per le operazioni di foratura con la corona diamantata, regolare sempre la leva di cambio sulla posizione  per la "rotazione soltanto".

ATTENZIONE:

- Se si usa la corona diamantata nel modo di "rotazione con percussione", si potrebbe danneggiare la corona.

MANUTENZIONE

ATTENZIONE:

- Accertarsi sempre che l'utensile sia spento e staccato dalla presa di corrente prima di qualsiasi intervento di ispezione e manutenzione.

Per preservare la SICUREZZA e l'AFFIDABILITÀ del prodotto, le riparazioni, l'ispezione e la sostituzione delle spazzole di carbone o qualsiasi altra manutenzione e regolazione devono essere eseguite da un Centro Assistenza Makita autorizzato usando sempre ricambi Makita.

ACCESSORI

ATTENZIONE:

- In questo manuale si consiglia di usare questi accessori o ricambi Makita. L'impiego di altri accessori o ricambi potrebbe costituire un pericolo di lesioni. Usare esclusivamente gli accessori o ricambi per il loro scopo specificato.

Per maggiori dettagli riguardo a questi accessori, rivolgersi a un centro di assistenza Makita.

- Punta SDS Plus con riporto al carburo di tungsteno
- Punta a corona
- Punta a corona in diamante
- Gruppo mandrino trapano
- Mandrino trapano S13
- Adattatore mandrino
- Chiave mandrino S13
- Grasso punta
- Manico laterale
- Asta di profondità
- Soffietto
- Scodellino della polvere
- Accessorio estrattore polvere
- Occhiali di protezione
- Custodia di trasporto in plastica
- Mandrino trapano senza chiave

ENG102-3

Rumore

Il tipico livello di rumore pesato A determinato secondo EN60745:

- Livello pressione sonora (L_{pA}): 86 dB (A)
- Livello potenza sonora (L_{wA}): 97 dB (A)
- Incertezza (K): 3 dB (A)

Indossare i paraorecchi

ENG217-2

Vibrazione

Il valore totale di vibrazione (somma vettore triassiale) determinato secondo EN60745:

- Modalità operativa: foratura con martellamento nel cemento
- Emissione di vibrazione ($a_{h,HD}$): 14,0 m/s²
- Incertezza (K): 1,5 m/s²

ENG302-2

- Modalità operativa: Foratura del metallo
- Emissione di vibrazione ($a_{h,D}$): 2,5 m/s² o meno
- Incertezza (K): 1,5 m/s²

ENG901-1

- Il valore di emissione delle vibrazioni dichiarato è stato misurato conformemente al metodo di test standard, e può essere usato per paragonare un utensile con un altro.
- Il valore di emissione delle vibrazioni dichiarato può anche essere usato per una valutazione preliminare dell'esposizione.

AVVERTIMENTO:

- L'emissione delle vibrazioni durante l'uso reale dell'utensile elettrico può differire dal valore di emissione dichiarato a seconda dei modi in cui viene usato l'utensile.
- Identificare le misure di sicurezza per la protezione dell'operatore basate sulla stima dell'esposizione nelle condizioni reali d'utilizzo (tenendo presente tutte le parti del ciclo operativo, come le volte in cui l'utensile viene spento e quando gira a vuoto, oltre al tempo di funzionamento).

Modello per l'Europa soltanto

Dichiarazione CE di conformità

Noi della Makita Corporation, come produttori responsabili, dichiariamo che le macchine Makita seguenti:

Designazione della macchina: Martello rotativo

Modello No./Tipo: HR1830, HR1830F

sono una produzione di serie e

conformi alle direttive europee seguenti:

98/37/CE fino al 28 dicembre 2009 e poi 2006/42/

CE dal 29 dicembre 2009

E sono fabbricate conformemente ai seguenti standard o documenti standardizzati:

EN60745

La documentazione tecnica è tenuta dal nostro rappresentante autorizzato in Europa, che è:

Makita International Europe Ltd.

Michigan Drive, Tongwell,

Milton Keynes, MK15 8JD, England

30 gennaio 2009



Tomoyasu Kato
Amministratore

Makita Corporation
3-11-8, Sumiyoshi-cho,
Anjo, Aichi, JAPAN

Verklaring van algemene gegevens

1 Trekschakelaar	9 Vastzetten	17 Gat in handgreepvoet
2 Vastzetknop	10 Tandem	18 Stofvanger
3 Lamp	11 Nokken	19 Blaasbalgje
4 Omkeerschakelaar	12 Boorschacht	20 Sleutellose boorkop
5 Omschakelknop	13 Boorvet	21 Boorkop-adapter
6 Handgreepvoet	14 Boor	22 Bus
7 Zijhandgreep	15 Boorkopdeksel	23 Ring
8 Losdraaien	16 Diepteaanslag	

TECHNISCHE GEGEVENS

Model	HR1830/HR1830F
Vermogen	
Beton	18 mm
Kroonboor	35 mm
Diamant kroonboor (droog type)	65 mm
Staal	13 mm
Hout	24 mm
Nullaastoorental (min ⁻¹)	0 – 1 500
Aantal slagen/minuut	0 – 5 000
Totale lengte	279 mm
Netto gewicht	1,9 kg
Veiligheidsklasse	II

- In verband met ononderbroken research en ontwikkeling behouden wij ons het recht voor bovenstaande technische gegevens te wijzigen zonder voorafgaande kennisgeving.
- De technische gegevens kunnen van land tot land verschillen.
- Gewicht volgens de EPTA-procedure 01/2003

Doeleinden van gebruik

Het gereedschap is bedoeld voor hamerboren en boren in baksteen, beton en steen.
Het is ook geschikt voor boren zonder slag in hout, metaal, keramisch materiaal en kunststof.

Stroomvoorziening

Het gereedschap mag alleen worden aangesloten op een stroombron van hetzelfde voltage als aangegeven op de naamplaat, en kan alleen op enkel-fase wisselstroom worden gebruikt. Het gereedschap is dubbel-geïsoleerd volgens de Europese standaard en kan derhalve ook op een niet-geaard stopcontact worden aangesloten.

Algemene veiligheidswaarschuwingen voor elektrisch gereedschap GEA010-1

⚠ WAARSCHUWING! Lees alle veiligheidswaarschuwingen en alle instructies. Het niet volgen van de waarschuwingen en instructies kan leiden tot elektrische schokken, brand en/of ernstig letsel.

Bewaar alle waarschuwingen en instructies om in de toekomst te kunnen raadplegen.

GEB007-6

VEILIGHEIDSWAARSCHUWINGEN VOOR BOORHAMER

Laat u **NIET** misleiden door een vals gevoel van comfort en bekendheid met het gereedschap (na veelvuldig gebruik) en neem alle veiligheidsvoorschriften van het betreffende gereedschap altijd strikt in acht. Bij onveilig of verkeerd gebruik van het gereedschap, bestaat de kans op ernstig persoonlijk letsel.

- 1. Draag gehoorbescherming.** Blootstelling aan harde geluiden kan leiden tot gehoorbeschadiging.
- 2. Gebruik de hulphandgreep/hulphandgrepen, als deze bij het gereedschap werden geleverd.** Als u de controle over het gereedschap verliest, kan dit leiden tot ernstig persoonlijk letsel.
- 3. Houd elektrisch gereedschap vast aan het geïsoleerde oppervlak van de handgrepen wanneer u werkt op plaatsen waar het slijpaccessoire met verborgen bedrading of zijn eigen snoer in aanraking kan komen.** Wanneer het booraccessoire in aanraking komen met onder spanning staande draden, zullen de niet-geïsoleerde metalen delen van het gereedschap onder spanning komen te staan zodat de gebruiker een elektrische schok kan krijgen.
- 4. Draag een veiligheidshelm, veiligheidsbril en/of gezichtsbescherming. Een gewone bril of een zonnebril is GEEN veiligheidsbril.** Het wordt tevens sterk aanbevolen een stofmasker en dik gevoerde handschoenen te dragen.
- 5. Controleer dat het bit stevig op zijn plaats is vastgezet voordat u het gereedschap gebruikt.**
- 6. Bij normale bediening behoort het gereedschap te trillen. De schroeven kunnen gemakkelijk losraken, waardoor een defect of ongeluk kan ontstaan. Controleer of de schroeven goed zijn aangedraaid, alvorens het gereedschap te gebruiken.**
- 7. In koude weersomstandigheden of wanneer het gereedschap gedurende een lange tijd niet is gebruikt, laat u het gereedschap eerst opwarmen door het onbelast te laten werken. Hierdoor zal de smering worden verbeterd. Zonder degelijk opwarmen, zal de hamerwerking moeilijk zijn.**
- 8. Zorg er altijd voor dat u stevig staat.** Zorg ervoor dat er niemand zich onder u bevindt wanneer u het gereedschap op een hoge plaats gebruikt.
- 9. Houd het gereedschap met beide handen stevig vast.**
- 10. Houd uw handen uit de buurt van bewegende delen.**
- 11. Laat het gereedschap niet ingeschakeld liggen.** Bedien het gereedschap alleen wanneer u het vasthoudt.
- 12. Richt het gereedschap niet op iemand in de buurt terwijl het is ingeschakeld.** Het bit zou eruit kunnen vliegen en iemand ernstig verwonden.
- 13. Raak het bit en onderdelen in de buurt van het bit niet onmiddellijk na gebruik aan.** Zij kunnen bijzonder heet zijn en brandwonden op uw huid veroorzaken.

14. Sommige materialen bevatten chemische stoffen die giftig kunnen zijn. Neem de nodige voorzorgsmaatregelen tegen inademing van stof en contact met de huid. Volg de veiligheidsinstructies van de leverancier van het materiaal op.

BEWAAR DEZE VOORSCHRIFTEN.

WAARSCHUWING:

VERKEERD GEBRUIK of het niet naleven van de veiligheidsvoorschriften in deze gebruiksaanwijzing kan leiden tot ernstige verwondingen.

GEBRUIK VAN HET GEREEDSCHAP

LET OP:

- Zorg altijd dat het gereedschap is uitgeschakeld en de stekker ervan uit het stopcontact is verwijderd vooraleer u begint met afstelling of onderhoud van het gereedschap.

Werking van de trekschakelaar (Fig. 1)

LET OP:

- Alvorens de machine op een stopcontact aan te sluiten, moet u altijd controleren of de trekschakelaar juist werkt en bij het loslaten naar de "OFF" positie terugkeert.

Om de machine te starten, drukt u gewoon de trekschakelaar in. Hoe dieper de trekschakelaar wordt ingedrukt, hoe sneller de machine draait. Om de machine uit te schakelen, de trekschakelaar loslaten. Voor continue werking, drukt u de trekschakelaar in en dan drukt u de vastzetknop in. Om de machine vanuit deze vergrendelde stand te stoppen, de trekschakelaar volledig indrukken en deze dan loslaten.

Aanzetten van de lampen (Fig. 2)

Alleen voor Model HR1830F

LET OP:

- Kijk niet direct in het licht of de lichtbron.

Druk de trekker in om de lamp aan te zetten. Laat de trekker los om de lamp uit te doen.

OPMERKING:

- Gebruik een droge doek om vuil op de lamplens eraf te vegen. Let op dat u geen krassen maakt op de lamplens, aangezien de verlichtingssterkte daardoor zal verminderen.

Werking van de omkeerschakelaar (Fig. 3)

Dit gereedschap heeft een omkeerschakelaar voor het veranderen van de draairichting. Beweeg de omkeerschakelaar naar de positie ◁ (kant A) voor rechtse draairichting, of naar de positie ▷ (kant B) voor linkse draairichting.

LET OP:

- Controleer altijd de draairichting alvorens de machine te gebruiken.
- Gebruik de omkeerschakelaar alleen nadat de machine volledig tot stilstand is gekomen. Indien u de draairichting verandert voordat de machine is gestopt, kan de machine beschadigd raken.
- Als de trekschakelaar niet kan worden ingeknepen, controleert u dat de omkeerschakelaar helemaal naar de positie ◁ (kant A) of naar de positie ▷ (kant B) is gezet.

Kiezen van de bedieningsfunctie (Fig. 4)

Dit gereedschap heeft een omschakelknop. Gebruik deze knop voor het kiezen van een van de twee bedieningsfuncties die geschikt is voor uw werk.

Voor gewoon boren drukt u de vastzetknop in en draait u de knop zodat de pijl op de knop in de richting van de ⚙️ symbool op de behuizing van het gereedschap wijst.

Voor hamerboren drukt u de vastzetknop in en draait u de knop zodat de pijl op de knop in de richting van de ⚙️ symbool op de behuizing van het gereedschap wijst.

LET OP:

- Zet de knop altijd volledig op het gewenste symbool. Indien u het gereedschap gebruikt met de knop halverwege tussen de twee symbolen geplaatst, kan het gereedschap beschadigd raken.
- Bedien de knop pas nadat het gereedschap volledig tot stilstand is gekomen.

Koppelbegrenzer

De koppelbegrenzer treedt in werking wanneer de motor een bepaald koppel bereikt. De motor wordt dan ontkoppeld van de uitgangsas. Wanneer dit gebeurt, zal de boor ophouden met draaien.

LET OP:

- Schakel het gereedschap onmiddellijk uit wanneer de koppelbegrenzer in werking treedt. Hierdoor helpt u vroegtijdige slijtage van het gereedschap voorkomen.
- Gatenzagen kunnen met dit gereedschap niet worden gebruikt. Deze lopen of klemmen gemakkelijk vast in het boorgat, zodat de koppelbegrenzer te vaak in werking zal worden gesteld.

INEENZETTEN

LET OP:

- Zorg altijd dat het gereedschap is uitgeschakeld en de stekker ervan uit het stopcontact is verwijderd alvorens enig werk aan het gereedschap uit te voeren.

Zijhandgreep (hulphandgreep) (Fig. 5)

LET OP:

- Gebruik altijd de zijhandgreep om een veilige bediening te verzekeren.

Installeer de zijhandgreep zodanig dat de tanden op de greep tussen de nokken op het huis van de machine komen te zitten. Zet dan de handgreep vast door deze in de gewenste positie naar rechts te draaien. De handgreep kan 360° worden verdraaid zodat u deze in elke gewenste positie kunt vastzetten.

Boorvet

Voordat u de boor aanbrengt, smeer een beetje vet (ca. 0,5 tot 1,0 gram) op de kop van de boorschacht.

Met een ingevette boorkop zal het gereedschap beter werken en langer meegaan.

Aanbrengen of verwijderen van de boor

Reinig de boorschacht en smeer er boorvet op alvorens de boor te installeren. (Fig. 6)

Steek de boor in de machine. Draai de boor en duw deze naar binnen tot zij vergrendelt. (Fig. 7)

Nadat de boor is geïnstalleerd, moet u altijd controleren of de boor goed vastzit door te proberen hem eruit te trekken.

Om de boor te verwijderen, trekt u het boorkopdeksel helemaal omlaag en dan trekt u de boor eruit. (Fig. 8)

Diepteaanslag (Fig. 9)

De diepteaanslag is handig voor het boren van gaten van gelijke diepte. Maak de zijhandgreep los en steek de diepteaanslag in het gat in de zijhandgreep. Stel de diepteaanslag af op de gewenste diepte en zet de zijhandgreep vast.

OPMERKING:

- De diepteaanslag kan niet worden gebruikt in de positie waarbij deze tegen het tandwielhuis aanstoot.

Stofvanger (Fig. 10)

Gebruik de stofvanger om te voorkomen dat stof op de machine en op uzelf terecht komt wanneer u boven uw hoofd boort. Bevestig de stofvanger aan de boor, zoals getoond in Fig. 10. De diameter van de boren waaraan de stofvanger kan worden bevestigd, is als volgt.


	Boordiameter
Stofvanger 5	6 mm – 14,5 mm
Stofvanger 9	12 mm – 16 mm

BEDIENING

Hamerend of kloppend boren

LET OP:

- Op het moment dat een gat wordt geboord, of wanneer het boorgat verstopt raakt met schilfertjes en metaaldeeltjes, of wanneer de machine op versterkingsstaven in gewapend beton stoot, wordt er plotseling een enorme wringingskracht op de machine/boor uitgeoefend. Gebruik daarom altijd de zijhandgreep (hulphandgreep) en houd de machine tijdens het gebruik stevig vast bij zowel de zijhandgreep als de hoofdhandgreep. Indien u dit verzuimt, kunt u de controle over de machine verliezen en mogelijk zware verwondingen oplopen.

Bij het boren in beton, graniet, enz., zet u de omschakelknop in de positie met het symbool  om te hamerboren.

Zorg ervoor dat u een bit met een hardmetalen punt gebruikt.

Plaats de punt van de boor op de gewenste plaats waar geboord moet worden, en druk vervolgens de schakelaar in. Forceer het gereedschap niet. Een lichte druk geeft de beste resultaten. Houd het gereedschap stevig vast en zorg dat het niet uitglijd.

Oefen geen grotere druk uit wanneer het boorgat verstopt raakt met schilfertjes of metaaldeeltjes. Laat in zo'n geval het gereedschap onbelast lopen en verwijder de boor gedeeltelijk uit het boorgat. Wanneer dit verschillende keren wordt herhaald, zal het boorgat schoon worden en kunt u normaal verder boren.

OPMERKING:

- Terwijl het gereedschap onbelast wordt gebruikt, kan de boor excentrisch draaien. Het gereedschap centreert zichzelf automatisch tijdens het gebruik. Dit heeft geen nadelige invloed op de nauwkeurigheid van het boren.

Blaasbalgje (los verkrijgbaar accessoire) (Fig. 11)

Gebruik na het boren het blaasbalgje om het stof uit het boorgat te blazen.

Boren in hout of metaal (Fig. 12 en 13)

Gebruik de los verkrijgbare boorkopmontage. Om deze te installeren, zie "Aanbrengen of verwijderen van de boor" op de vorige pagina.

Houd de ring vast en draai de bus naar links om de klauwen van de boorkop te openen. Steek de boor zo ver mogelijk in de boorkop. Houd de ring weer stevig vast en draai de bus naar rechts om de boorkop vast te zetten.

Om de boor te verwijderen, houdt u de ring vast en draait u de bus naar links. Zet de omschakelknop op "alleen boren".

U kunt boren tot een diameter van maximaal 13 mm in metaal en een diameter van maximaal 24 mm in hout.


Gebruik nooit "boren plus hameren" wanneer de boorkop op het gereedschap is gemonteerd. De boorkop kan hierdoor namelijk beschadigd raken.

Bovendien zal de boorkop loskomen wanneer de draairichting van het gereedschap wordt omgekeerd.

LET OP:

- Door teveel druk op het gereedschap uit te oefenen verloopt het boren niet sneller. Integendeel, teveel druk op het gereedschap zal alleen maar de boor beschadigen, de prestatie van het gereedschap verminderen en de gebruiksduur verkorten.
- Er ontstaan enorme spanningen op het ogenblik dat de boor uit het gat tevoorschijn komt. Houd derhalve het gereedschap stevig vast en wees op uw hoede.
- Wanneer de boor klemraakt, keert u met de omkeerschakelaar de draairichting om, om de boor uit het gat te krijgen. Pas echter op en houd het gereedschap stevig vast, aangezien het anders uit het gat weg kan schieten.
- Kleine werstukken dient u altijd eerst vast te zetten met een klemschroef of iets dergelijks.

Boren met de diamant kroonboor

Voor boren met de diamant kroonboor dient de boorwerkingskeuzehendel altijd in de  positie voor "alleen boren" te worden gezet.

LET OP:

- Indien u de diamant kroonboor gebruikt voor "hamerend boren", kan de diamant kroonboor beschadigd raken.

ONDERHOUD

LET OP:

- Zorg altijd dat het gereedschap is uitgeschakeld en de stekker ervan uit het stopcontact is verwijderd vooraleer u met inspectie of onderhoud van het gereedschap begint.

Om de VEILIGHEID en BETROUWBAARHEID van het gereedschap te handhaven, dienen alle reparaties, inspectie en vervanging van de koolborstels, en alle andere onderhoudswerkzaamheden of afstellingen te worden uitgevoerd bij een erkend Makita servicecentrum, en altijd met gebruik van originele Makita vervangingsonderdelen.

ACCESSOIRES

LET OP:

- Deze accessoires of hulpstukken worden aanbevolen voor gebruik met het Makita gereedschap dat in deze gebruiksaanwijzing is beschreven. Bij gebruik van andere accessoires of hulpstukken bestaat er gevaar voor persoonlijke verwonding. Gebruik de accessoires of hulpstukken uitsluitend voor hun bestemd doel.

Wenst u meer bijzonderheden over deze accessoires, neem dan contact op met het plaatselijke Makita servicecentrum.

- SDS Plus boor met wolframcarbide punt
- Kernboor
- Diamantkernboor
- Boorkopmontage
- Boorkop S13
- Boorkop-adapter
- Boorkopsleutel S13
- Boorvet
- Zijhandgreep
- Diepteaanslag
- Blaasbalgje
- Stofvanger
- Hulpstuk voor stofafscheiding
- Veiligheidsbril
- Plastic draagtas
- Sleutellose boorkop

ENG102-3

Geluidsniveau

De typisch, A-gewogen geluidsniveaus vastgesteld volgens EN60745:

- Geluidsdrukniveau (L_{pA}): 86 dB (A)
- Geluidsenergie-niveau (L_{wA}): 97 dB (A)
- Onnauwkeurigheid (K): 3 dB (A)

Draag oorbeschermers

ENG217-2

Trilling

De totaalwaarde van de trillingen (triaxiale vectorsom) vastgesteld volgens EN60745:

- Toepassing: klopboren in beton
- Trillingsemisatie ($a_{h,HD}$): 14,0 m/s²
- Onnauwkeurigheid (K): 1,5 m/s²

ENG302-2

- Toepassing: boren in metaal
- Trillingsemisatie ($a_{h,D}$): 2,5 m/s² of lager
- Onnauwkeurigheid (K): 1,5 m/s²

ENG901-1

- De opgegeven trillingsemisiewaarde is gemeten volgens de standaardtestmethode en kan worden gebruikt om dit gereedschap te vergelijken met andere gereedschappen.
- De opgegeven trillingsemisiewaarde kan ook worden gebruikt voor een beoordeling vooraf van de blootstelling.

WAARSCHUWING:

- De trillingsemisatie tijdens het gebruik van het elektrisch gereedschap in de praktijk kan verschillen van de opgegeven trillingsemisiewaarde afhankelijk van de manier waarop het gereedschap wordt gebruikt.
- Zorg ervoor dat veiligheidsmaatregelen worden getroffen ter bescherming van de operator die zijn gebaseerd op een schatting van de blootstelling onder praktijkomstandigheden (rekening houdend met alle fasen van de bedrijfscyclus, zoals de tijdsduur gedurende welke het gereedschap is uitgeschakeld en stationair draait, naast de ingeschakelde tijdsduur).

Alleen voor Europese landen

EU-Verklaring van Conformiteit

Wij, Makita Corporation, als de verantwoordelijke fabrikant, verklaren dat de volgende Makita-machine(s):

Aanduiding van de machine: Boorhamer
Modelnr./Type: HR1830, HR1830F

in serie zijn geproduceerd en

Voldoen aan de volgende Europese richtlijnen:

98/37/EC tot en met 28 december 2009 en daarna
aan 2006/42/EC vanaf 29 december 2009

En zijn gefabriceerd in overeenstemming met de volgende normen of genormaliseerde documenten:

EN60745

De technische documentatie wordt bewaard door onze erkende vertegenwoordiger in Europa, te weten:

Makita International Europe Ltd.
Michigan Drive, Tongwell,
Milton Keynes, MK15 8JD, Engeland

30 januari 2009




Tomoyasu Kato
Directeur

Makita Corporation
3-11-8, Sumiyoshi-cho,
Anjo, Aichi, JAPAN

Explicación de los dibujos

1 Interruptor de gatillo	9 Apretar	17 Agujero de la base de la empuñadura
2 Botón de bloqueo	10 Dientes	18 Tapa contra el polvo
3 Lámpara	11 Salientes	19 Soplador
4 Interruptor de inversión	12 Espiga de la broca	20 Mandril automático
5 Botón de cambio de modo de accionamiento	13 Grasa para brocas	21 Adaptador de mandril
6 Base de la empuñadura	14 Broca	22 Manguito
7 Empuñadura lateral	15 Cubierta del mandril	23 Anillo
8 Aflojar	16 Medidor de profundidad	

ESPECIFICACIONES

Modelo	HR1830/HR1830F
Capacidad	
Hormigón.....	18 mm
Broca de corona.....	35 mm
Broca de corona de diamante (Tipo seco).....	65 mm
Acero.....	13 mm
Madera.....	24 mm
Velocidad en vacío (min ⁻¹).....	0 – 1.500
Golpes por minuto.....	0 – 5.000
Longitud total.....	279 mm
Peso neto.....	1,9 kg
Clase de seguridad.....	 II

- Debido a un programa continuo de investigación y desarrollo, las especificaciones aquí dadas están sujetas a cambios sin previo aviso.
- Las especificaciones pueden ser diferentes de país a país.
- Peso de acuerdo con el procedimiento EPTA 01/2003

Uso previsto

La herramienta ha sido pensada para taladrado con percusión y taladrado en ladrillos, hormigón y piedra. También es apropiada para taladrar sin impactos en madera, cerámica y plástico.

Alimentación

La herramienta ha de conectarse solamente a una fuente de alimentación de la misma tensión que la indicada en la placa de características, y sólo puede funcionar con corriente alterna monofásica. El sistema de doble aislamiento de la herramienta cumple con la norma europea y puede, por lo tanto, usarse también en enchufes hembra sin conductor de tierra.

GEA010-1

Advertencias de seguridad generales para herramientas eléctricas

⚠ ¡ADVERTENCIA! Lea todas las advertencias de seguridad y todas las instrucciones. Si no sigue todas las advertencias e instrucciones podrá ocasionar una descarga eléctrica, un incendio y/o heridas graves.

Guarde todas las advertencias e instrucciones para futuras referencias.

GEB007-6

ADVERTENCIA DE SEGURIDAD PARA EL MARTILLO ROTATIVO

NO deje que la comodidad o familiaridad con el producto (a base de utilizarlo repetidamente) sustituya la estricta observancia de las normas de seguridad para el producto en cuestión. Si utiliza esta herramienta de forma no segura o incorrecta, podrá sufrir graves heridas personales.

1. **Póngase protectores de oídos.** La exposición al ruido puede producir pérdida auditiva.
2. **Utilice el mango(s) auxiliar, si se suministra con la herramienta.** Una pérdida del control puede ocasionar heridas personales.
3. **Cuando realice una operación en la que el accesorio de corte pueda entrar en contacto con cableado oculto o con su propio cable, sujete las herramientas eléctricas por las superficies de asimiento aisladas.** El contacto del accesorio de corte con un cable con corriente hará que la corriente circule por las partes metálicas expuestas de la herramienta eléctrica y podrá soltar una descarga eléctrica al operario.
4. **Póngase casco rígido (casco de seguridad), gafas de seguridad y/o máscara facial.** Las gafas normales o de sol NO sirven para proteger los ojos. También es muy recomendado que utilice una máscara contra el polvo y guantes bien almohadillados.
5. **Asegúrese de que el implemento esté bien sujeto antes de iniciar la operación.**
6. **La herramienta ha sido diseñada para que produzca vibración en operación normal.** Los tornillos pueden aflojarse fácilmente, pudiendo ocasionar una rotura o accidente. Compruebe el apriete de los tornillos cuidadosamente antes de iniciar la operación.
7. **En tiempo frío o cuando la herramienta no haya sido utilizada durante largo tiempo, deje calentar la herramienta durante un rato haciéndola funcionar sin carga.** Esto agilizará la lubricación. Sin un calentamiento apropiado, la operación de percusión resultará difícil de realizar.
8. **Asegúrese siempre de que tiene suelo firme.** Asegúrese de que no haya nadie debajo cuando utilice la herramienta en lugares altos.
9. **Sujete la herramienta firmemente con ambas manos.**
10. **Mantenga las manos alejadas de las partes en movimiento.**
11. **No deje la herramienta en marcha.** Tenga en marcha la herramienta solamente cuando la tenga en la mano.
12. **No apunte la herramienta hacia nadie en el lugar cuando la esté utilizando.** El implemento podría salir disparado y herir a alguien seriamente.
13. **No toque el implemento ni partes cercanas a él inmediatamente después de la operación;** podrán estar muy calientes y quemarle la piel.

14. Algunos materiales contienen sustancias químicas que podrán ser tóxicas. Tenga precaución para evitar la inhalación de polvo y el contacto con la piel. Siga los datos de seguridad del abastecedor del material.

GUARDE ESTAS INSTRUCCIONES.

ADVERTENCIA:

El MAL USO o el no seguir las normas de seguridad establecidas en este manual de instrucciones podrá ocasionar graves heridas personales.

DESCRIPCIÓN DEL FUNCIONAMIENTO

PRECAUCIÓN:

- Asegúrese siempre de que la herramienta esté apagada y desenchufada antes de ajustar o comprobar cualquier función de la herramienta.

Accionamiento del interruptor (Fig. 1)

PRECAUCIÓN:

- Antes de enchufar la herramienta, compruebe siempre para ver si el interruptor de gatillo se acciona correctamente y regresa a la posición "OFF" cuando se libera.

Para encender la herramienta, simplemente presione el interruptor de gatillo. La velocidad de la herramienta aumenta incrementando la presión ejercida en el interruptor de gatillo. Suelte el interruptor de gatillo para apagar la herramienta. Para una operación continua, presione el interruptor de gatillo y luego empuje el botón de bloqueo. Para parar la herramienta cuando funciona en la posición de bloqueo, presione el interruptor de gatillo completamente y suéltelo.

Encendido de las lámparas (Fig. 2)

Para el modelo HR1830F solamente

PRECAUCIÓN:

- No mire a la luz ni vea la fuente de luz directamente.

Para encender la lámpara, apriete el gatillo. Suelte el gatillo para apagarla.

NOTA:

- Utilice un paño seco para quitar la suciedad de la lente de la lámpara. Tenga cuidado de no rayar la lente de la lámpara, porque podrá disminuir la iluminación.

Accionamiento del interruptor de inversión (Fig. 3)


Esta herramienta tiene un interruptor inversor para cambiar la dirección de giro. Mueva la palanca del interruptor de inversión a la posición ◁ (lado A) para giro hacia la derecha o a la posición ▷ (lado B) para giro hacia la izquierda.


PRECAUCIÓN:

- Compruebe siempre la dirección de rotación antes taladrar.
- Emplee el interruptor de inversión sólo cuando la herramienta esté completamente parada. Si se cambia la dirección de rotación mientras la herramienta está girando podrá estropearse al herramienta.
- Si el interruptor de gatillo no puede apretarse, confirme que el interruptor de inversión está puesto completamente en la posición ◁ (lado A) o ▷ (lado B).

Selección del modo de accionamiento (Fig. 4)

Esta herramienta emplea un botón de cambio de modo de accionamiento. Utilice este botón para seleccionar uno de los dos modos apropiados para el trabajo que tenga que hacer.

Para rotación solamente, presione el botón de bloqueo y gire el botón de forma que la flecha del mismo apunte hacia el símbolo  marcado en el cuerpo de la herramienta.

Para rotación con percusión, presione el botón de bloqueo y gire el botón de forma que la flecha del mismo apunte hacia el símbolo  marcado en el cuerpo de la herramienta.

PRECAUCIÓN:

- Ponga siempre bien el botón en el símbolo del modo deseado. Si utiliza la herramienta con el botón en medio de los símbolos de modo, la herramienta podrá estropearse.
- Utilice el botón después de que la herramienta se haya parado completamente.

Limitador de torsión

El limitador de torsión funcionará cuando se alcance cierto nivel de torsión. El motor se desacoplará del eje de salida. Cuando así suceda, la broca dejará de girar.

PRECAUCIÓN:

- Tan pronto como se active el limitador de torsión, apague la herramienta inmediatamente. Esto ayudará a evitar el desgaste prematuro de la herramienta.
- Con esta herramienta no se pueden utilizar sierras de orificios. Éstas tienden a engancharse con facilidad en el orificio. Esto será la causa de que se active el limitador de torsión con demasiada frecuencia.

MONTAJE

PRECAUCIÓN:

- Asegúrese siempre de que la herramienta esté apagada y desenchufada antes de realizar cualquier trabajo en ella.

Empuñadura lateral (asidero auxiliar) (Fig. 5)

PRECAUCIÓN:

- Utilice siempre la empuñadura lateral para asegurar la seguridad de operación.

Instale la empuñadura lateral de forma que los dientes de la empuñadura encajen entre los salientes del cuerpo de la máquina. Luego apriete la empuñadura girando hacia la derecha en la posición deseada. Puede girarse 360° y fijarse en cualquier posición.

Grasa para brocas

Cubra de antemano la cabeza de la espiga de la broca con una pequeña cantidad (aproximadamente 0,5 – 1,0 g) de grasa para brocas.

La lubricación del mandril asegura una acción suave y una vida de servicio más larga.

Instalación o extracción de la broca

Limpie la espiga de la broca y aplique grasa antes de instalarla. (Fig. 6)

Introduzca la broca en la herramienta. Gire la broca y empújela hacia dentro hasta que se acople. (Fig. 7)

Después de instalar la broca, trate siempre de sacarla para asegurarse de que haya quedado bien sujeta en su lugar.

Para extraer la broca, tire de la cubierta del mandril hacia abajo todo lo que dé de sí y saque la broca. (Fig. 8)

Medidor de profundidad (Fig. 9)

El medidor de profundidad es útil para taladrar agujeros de profundidad uniforme. Afloje la empuñadura lateral e inserte el medidor de profundidad en el agujero de la empuñadura lateral. Ajuste el medidor de profundidad a fin de obtener la profundidad deseada y apriete la empuñadura lateral.

NOTA:

- El medidor de profundidad no puede utilizarse en la posición donde golpea contra el alojamiento del cojinete.

Tapa contra el polvo (Fig. 10)

Utilice la tapa contra el polvo para evitar que el polvo caiga sobre la herramienta y sobre usted mismo cuando taladre en lugares elevados. Ponga la tapa contra el polvo en la broca como se muestra en la Fig. 10. Las tapas contra el polvo pueden colocarse en las brocas de los siguientes tamaños.

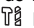
	Díámetro de broca
Tapa contra el polvo 5	6 mm – 14,5 mm
Tapa contra el polvo 9	12 mm – 16 mm

OPERACIÓN

Operación de perforación con martillo

PRECAUCIÓN:

- La herramienta y la broca quedan sometidas a una tremenda y repentina fuerza de torsión en el momento de perforarse un orificio, cuando un orificio queda obstruido con virutas y otras partículas, o cuando se golpean barras de refuerzo incrustadas en el hormigón. Durante las operaciones, utilice siempre la empuñadura lateral (asidero auxiliar) y sujete firmemente la herramienta por esta empuñadura y el anillo de cambio. De lo contrario, se podría perder el control de la herramienta y causar heridas graves.

Cuando taladre en hormigón, granito, etc., mueva el botón de cambio de modo de accionamiento a la posición del símbolo  para utilizar el modo "giro con percusión".

Asegúrese de utilizar una broca con punta de carburo de tungsteno.

Coloque la broca en el lugar en el que desea hacer el orificio, y luego presione el interruptor de gatillo. No fuerce la herramienta. Una presión ligera le ofrecerá los mejores resultados. Mantenga la herramienta en posición y evite que se salga del orificio.

No aplique más presión cuando el orificio quede obstruido con virutas o partículas. En lugar de eso, haga funcionar la herramienta al ralentí y saque parcialmente la broca del orificio. Repitiendo esta operación varias veces, el orificio podrá ser limpiado, y se podrá reanudar la perforación normal.

NOTA:

- Es posible que se produzca excentricidad en la broca mientras la herramienta funciona sin carga. La herramienta se vuelve a centrar automáticamente durante la operación. Esto no afecta a la precisión de taladrado.

Soplador (accesorio opcional) (Fig. 11)

Después de perforar el agujero, utilice el soplador para extraer el polvo del agujero.

Perforación en madera o metal (Fig. 12 y 13)

Utilice el conjunto de mandril opcional. Cuando lo instale, consulte "Instalación o extracción de la broca" descrita en la página anterior.

Sujete el anillo y gire el manguito hacia la izquierda para abrir las mordazas del portabroca. Ponga la broca en el portabroca a tope. Sujete el anillo firmemente y gire el manguito hacia la derecha para apretar el portabroca.

Para quitar la broca, sujete el anillo y gire el manguito hacia la izquierda. Ponga el botón de cambio de modo de accionamiento en "giro solamente".

Podrá perforar agujeros de hasta 13 mm de diámetro en metal y de hasta 24 mm de diámetro en madera.

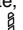
Nunca use "giro con percusión" cuando el conjunto del mandril esté instalado en la herramienta. El conjunto del mandril podría estropearse.

Además, el mandril podría desprenderse al girar al revés la herramienta.

PRECAUCIÓN:

- El presionar excesivamente la herramienta no acelerará la perforación. De hecho, si se ejerce una presión excesiva sólo servirá para dañar la punta de la broca, disminuir el rendimiento de la herramienta y acortar la vida de servicio de la herramienta.
- En el momento de atravesar el orificio se ejerce una tremenda fuerza en la herramienta/broca. Sostenga la herramienta firmemente y tenga cuidado cuando la broca empiece a atravesar la pieza de trabajo.
- Una broca que hay quedado agarrotada se puede extraer ajustando el interruptor de inversión en la posición de giro en el sentido inverso. Sin embargo, la herramienta puede efectuar esta operación bruscamente en el caso de que no se sostenga la herramienta firmemente.
- Sostenga siempre las piezas de trabajo que sean pequeñas en un torno o en un dispositivo de sujeción similar.

Taladrado con corona de diamante

Cuando realice tareas de taladrado con corona de diamante, ponga siempre la palanca de cambio en la posición  para utilizar la acción de "giro solamente".

PRECAUCIÓN:

- Si realiza tareas de taladrado con corona de diamante utilizando la acción "giro con percusión", la broca de corona de diamante podrá dañarse.

MANTENIMIENTO

PRECAUCIÓN:

- Asegúrese siempre que la herramienta esté apagada y desenchufada antes de intentar realizar una inspección o mantenimiento.

Para mantener la SEGURIDAD y FIABILIDAD del producto, las reparaciones, la inspección y sustitución de la escobilla de carbón, y cualquier otro mantenimiento o ajuste deberán ser realizados en Centros Autorizados por Makita, empleando siempre piezas de repuesto de Makita.

ACCESORIOS

PRECAUCIÓN:

- Estos accesorios o acoplamientos están recomendados para utilizar con su herramienta Makita especificada en este manual. El empleo de cualesquiera otros accesorios o acoplamientos conllevará un riesgo de sufrir heridas personales. Utilice los accesorios o acoplamientos solamente para su fin establecido.

Si necesita cualquier ayuda para más detalles en relación con estos accesorios, pregunte a su centro de servicio Makita local.

- Implemento de punta de carburo SDS-plus
- Broca de corona
- Broca de diamante
- Conjunto de mandril
- Mandril S13
- Adaptador de mandril
- Llave de mandril S13
- Grasa para brocas
- Empuñadura lateral
- Medidor de profundidad
- Soplador
- Tapa contra el polvo
- Accesorio para extractor de polvo
- Gafas de seguridad
- Maletín plástico de transporte
- Mandril automático

ENG102-3

Ruido

El nivel de ruido A-ponderado típico determinado de acuerdo con la norma EN60745:

Nivel de presión sonora (L_{pA}): 86 dB (A)
 Nivel de potencia sonora (L_{wA}): 97 dB (A)
 Incerteza (K): 3 dB (A)

Póngase protectores en los oídos

ENG217-2

Vibración

El valor total de la vibración (suma de vectores triaxiales) determinado de acuerdo con la norma EN60745:

Modo tarea: taladrado con percusión en cemento
 Emisión de vibración ($a_{h,HD}$): 14,0 m/s²
 Incerteza (K): 1,5 m/s²

ENG302-2

Modo tarea: taladrado en metal
 Emisión de vibración ($a_{h,D}$): 2,5 m/s² o menos
 Error (K): 1,5 m/s²

- El valor de emisión de vibración declarado ha sido medido de acuerdo con el método de prueba estándar y se puede utilizar para comparar una herramienta con otra.
- El valor de emisión de vibración declarado también se puede utilizar en una valoración preliminar de exposición.

ADVERTENCIA:

- La emisión de vibración durante la utilización real de la herramienta eléctrica puede variar del valor de emisión declarado dependiendo de las formas en las que la herramienta sea utilizada.
- Asegúrese de identificar medidas de seguridad para proteger al operario que estén basadas en una estimación de la exposición en las condiciones reales de utilización (teniendo en cuenta todas las partes del ciclo operativo tal como las veces cuando la herramienta está apagada y cuando está funcionando en vacío además del tiempo de gatillo).

ENH101-13

Para países europeos solamente

Declaración de conformidad CE

Makita Corporation como fabricante responsable declara que la(s) siguiente(s) máquina(s) de Makita:

Designación de máquina: Martillo rotativo
 Modelo N°/Tipo: HR1830, HR1830F
 son producidas en serie y

Cumplen con las directivas europeas siguientes:

98/37/EC hasta el 28 de diciembre de 2009 y después con 2006/42/EC desde el 29 de diciembre de 2009

Y que están fabricadas de acuerdo con las normas o documentos normalizados siguientes:

EN60745

Los documentos técnicos los guarda nuestro representante autorizado en Europa cuya persona es:

Makita International Europe Ltd.
 Michigan Drive, Tongwell,
 Milton Keynes, MK15 8JD, Inglaterra

30 de enero de 2009



Tomoyasu Kato
 Director


Makita Corporation
 3-11-8, Sumiyoshi-cho,
 Anjo, Aichi, JAPAN

Explicação geral

1 Gatilho do interruptor	9 Apertar	17 Orifício na base do punho
2 Botão de bloqueio	10 Dentes	18 Depósito para o pó
3 Lâmpada	11 Saliências	19 Soprador
4 Comutador de inversão	12 Encaixe da broca	20 Mandril de berbequim sem chave
5 Selector do modo de acção	13 Massa de lubrificação	21 Adaptador de mandril
6 Base do punho	14 Broca	22 Manga
7 Punho lateral	15 Cobertura do mandril	23 Anel
8 Desapertar	16 Guia de profundidade	

ESPECIFICAÇÕES

Modelo **HR1830/HR1830F**

Capacidades	
Betão	18 mm
Broca de coroa	35 mm
Broca de coroa de diamante (tipo seco)	65 mm
Aço	13 mm
Madeira	24 mm
RPM em vazio (min ⁻¹)	0 – 1.500
Impactos por minuto	0 – 5.000
Comprimento total	279 mm
Peso líquido	1,9 kg
Classe de segurança	 II

- Devido a um programa contínuo de pesquisa e desenvolvimento, estas especificações podem ser alteradas sem aviso prévio.
- As especificações podem variar de país para país.
- Peso de acordo com o Procedimento 01/2003 da EPTA (European Power Tool Association)

Utilização pretendida

A ferramenta foi concebida para perfuração de martelo e perfuração em tijolo, cimento e pedra. Também pode ser utilizada para perfuração sem impacto em madeira, metal, cerâmica e plástico.

Alimentação

A ferramenta só deve ser ligada a uma fonte de alimentação com a mesma voltagem da indicada na placa de características, e só funciona com alimentação CA monofásica. Tem um sistema de isolamento duplo de acordo com as normas europeias e pode, por isso, utilizar tomadas sem ligação à terra.

GEA010-1

Avisos gerais de segurança para ferramentas eléctricas

⚠ AVISO! Leia todos os avisos de segurança e todas as instruções. O não cumprimento de todos os avisos e instruções pode originar choque eléctrico, incêndio e/ou ferimentos graves.

Guarde todos os avisos e instruções para futuras referências.

GEB007-6

AVISOS DE SEGURANÇA PARA O MARTELETE ROTATIVO

NÃO permita que conforto ou familiaridade com o produto (adquirido com o uso repetido) substitua a aderência estrita às regras de segurança da ferramenta. Se utilizar esta ferramenta sem segurança ou incorrectamente podem ocorrer danos pessoais graves.

1. **Use protectores para os ouvidos.** A exposição ao ruído pode causar perda de audição.
2. **Utilize a(s) pega(s) auxiliar(es), se fornecida(s) com a ferramenta.** A perda de controlo pode causar danos pessoais.
3. **Agarre na ferramenta eléctrica pelos punhos isolados ao realizar uma operação onde o acessório de corte possa tocar em fios eléctricos escondidos ou no seu próprio fio.** O contacto do acessório de corte com um fio "ligado" poderá carregar as partes metálicas da ferramenta e causar choque eléctrico no operador.
4. **Use um capacete (de segurança), óculos de segurança e/ou uma máscara para a cara.** Óculos normais ou de sol **NÃO** são óculos de segurança. Também se recomenda a utilização de máscara contra o pó e luvas almofadadas.
5. **Certifique-se de que a broca está bem presa antes de começar a operação.**
6. **Em condições normais a ferramenta produz vibração. Os parafusos podem facilmente soltar-se causando um acidente ou avaria. Verifique cuidadosamente o aperto dos parafusos antes da operação.**
7. **Em tempo frio ou quando a ferramenta não foi utilizada durante muito tempo, deixe a ferramenta aquecer durante certo tempo antes de a utilizar. Para a lubrificar. Sem isso, a operação será difícil.**
8. **Mantenha-se sempre em equilíbrio. Certifique-se que ninguém está por baixo quando trabalha em locais altos.**
9. **Agarre na ferramenta firmemente com as duas mãos.**
10. **Mantenha as mãos afastadas das partes rotativas.**
11. **Não deixe a ferramenta funcionar. Só funcione com a ferramenta quando a estiver a agarrar.**
12. **Não aponte a ferramenta a ninguém perto quando estiver a trabalhar. A broca pode soltar-se e ferir alguém.**
13. **Não toque na broca ou partes próximas depois da operação, podem estar quentes e queimar a sua pele.**
14. **Alguns materiais contêm químicos que podem ser tóxicos. Tenha cuidado para evitar inalação de pó e contacto com a pele. Cumpra os dados de segurança do fornecedor do material.**

GUARDE ESTAS INSTRUÇÕES.

AVISO:

MÁ INTERPRETAÇÃO ou não seguimento das regras de segurança estabelecidas neste manual de instruções pode causar danos pessoais sérios.

DESCRIÇÃO FUNCIONAL

PRECAUÇÃO:

- Verifique sempre se a ferramenta está desligada e se retirou a ficha da tomada de corrente antes de ajustar ou verificar as funções da ferramenta.

Interruptor (Fig. 1)

PRECAUÇÃO:

- Antes de ligar a ferramenta à corrente verifique sempre se o gatilho do interruptor funciona adequadamente e volta para a posição "OFF" (desligado) quando libertado.

Para ligar a ferramenta carregue simplesmente no gatilho do interruptor. A velocidade da ferramenta aumenta consoante a pressão exercida no gatilho do interruptor. Liberte o gatilho do interruptor para parar. Para operação contínua, carregue no gatilho do interruptor e em seguida empurre o botão de bloqueio. Para parar a ferramenta a partir da posição de bloqueio, carregue completamente no gatilho do interruptor e liberte-o em seguida.

Acender as lâmpadas (Fig. 2)

Só para Modelo HR1830F

PRECAUÇÃO:

- Não olhe para a luz ou veja a fonte de luz directamente.

Para ligar a lâmpada, carregue no gatilho. Liberte o gatilho para desligar.

NOTA:

- Utilize um pano seco para retirar a sujidade das lentes da lâmpada. Tenha cuidado para não riscar as lentes da lâmpada ou pode diminuir a iluminação.

Comutador de inversão (Fig. 3)

Esta ferramenta tem um comutador de inversão para mudar a direcção de rotação. Desloque a alavanca do comutador de inversão para a posição ◁ (lado A) para rotação para a direita ou para a posição ▷ (lado B) para rotação para a esquerda.

PRECAUÇÃO:

- Verifique sempre o sentido de rotação antes da operação.
- Utilize o comutador de inversão só depois da ferramenta estar completamente parada. Se mudar o sentido de rotação antes da ferramenta parar, poderá danificá-la.
- Se não conseguir pressionar o gatilho verifique se o comutador de inversão está completamente colocado na posição ◁ (lado A) ou ▷ (lado B).

Seleção do modo de acção (Fig. 4)

Esta ferramenta utiliza um selector do modo de acção. Seleccione o modo aconselhado para o seu trabalho utilizando este selector.

Só para rotação, pressione o botão de bloqueio e rode o botão de modo a que a seta aponte para o símbolo ⚙ no corpo da ferramenta.

Para rotação com martelo, pressione o botão de bloqueio e rode o botão de modo a que a seta aponte para o símbolo 🔨 no corpo da ferramenta.

PRECAUÇÃO:

- Certifique-se sempre de que o selector está colocado completamente no símbolo da posição desejada. Se fizer funcionar a ferramenta com o selector colocado entre os símbolos de modo pode avariá-la.
- Utilize o botão depois da ferramenta estar completamente parada.

Limitador do binário

O limitador de binário actua quando é atingido um certo nível do binário. O motor desengrena do eixo de saída. Quando isto acontece a broca para de girar.

PRECAUÇÃO:

- Assim que o limitador do binário actuar, desligue imediatamente ferramenta. Evitará o desgaste prematuro da ferramenta.
- Serras em copo não podem ser utilizadas com esta ferramenta. Tendem a prender facilmente no orifício, provocando a actuação frequente do binário.

MONTAGEM

PRECAUÇÃO:

- Verifique sempre se a ferramenta está desligada e se retirou a ficha da tomada de corrente antes de executar qualquer operação na ferramenta.

Punho lateral (punho auxiliar) (Fig. 5)

PRECAUÇÃO:

- Para uma operação segura utilize sempre o punho lateral.

Coloque o punho lateral de modo a que os dentes no punho encaixem entre as saliências no corpo da ferramenta. Em seguida aperte o punho rodando-o para a direita, na posição desejada. O punho pode rodar 360° e fixar-se em qualquer posição.

Massa de lubrificação

Lubrique previamente o topo do encaixe da broca com um pouco de lubrificante (aprox. 0,5 – 1,0 g).

Este procedimento proporcionará uma maior suavidade de operação e duração da ferramenta.

Colocação e extracção da broca

Limpe o encaixe da broca e aplique lubrificante da broca antes de colocar a broca. (Fig. 6)

Coloque a broca na ferramenta. Rode a broca e empurre-a até que fique presa. (Fig. 7)

Depois da colocação, certifique-se sempre de que a broca está bem presa no lugar tentado tirá-la.

Para retirar a broca, empurre a cobertura do mandril completamente para baixo e retire a broca. (Fig. 8)

Guia de profundidade (Fig. 9)

A guia de profundidade facilita a perfuração de orifícios com profundidade uniforme. Desaperte o punho lateral e introduza a guia de profundidade no orifício nele existente. Regule a guia para a profundidade desejada e aperte o punho lateral.

NOTA:

- A guia de profundidade não pode ser utilizada se for posicionada de modo a tocar na caixa do motor.

Depósito do pó (Fig. 10)

Utilize o depósito do pó para evitar que este caia na ferramenta e em si quando executa trabalhos de perfuração em locais altos. Prenda o depósito do pó à broca como indicado na Fig. 10. O tamanho das brocas a que pode ligar os depósitos do pó é o seguinte:


	Diamêtro da broca
Depósito do pó 5	6 mm – 14,5 mm
Depósito do pó 9	12 mm – 16 mm

OPERAÇÃO

Perfuração com percussão

PRECAUÇÃO:

- É exercida uma enorme e repentina força de torção na ferramenta/broca quando faz um furo, quando o furo fica obstruído por pó e partículas ou quando parte betão armado. Utilize sempre a pega lateral (pega auxiliar) e pegue firmemente na ferramenta pelas duas pegas e mude da mão. Se assim não for pode perder o controle da ferramenta e causar sérios danos.

Quando perfura em cimento, granito, etc., desloque o botão de mudança de modo de acção para o símbolo  para utilizar a acção de “rotação com martelo”. Certifique-se de que usa uma broca de carboneto de tungsténio.

Coloque a broca no sítio em que deseje perfurar e carregue no gatilho do interruptor. Não force a ferramenta. Obterá melhores resultados se exercer uma ligeira pressão. Segure a ferramenta com firmeza para evitar que a broca saia do furo.

Não continue a aplicar pressão quando o buraco fica obstruído com pó ou partículas. Coloque a ferramenta de lado, a funcionar, e em seguida retire a broca parcialmente do buraco. Repetindo este procedimento várias vezes, o buraco ficará limpo e poderá retomar a perfuração normal.

NOTA:

- Pode ocorrer excentricidade na rotação da broca quando funciona com a ferramenta em vazio. A ferramenta centra-se automaticamente durante a operação. Isto não afecta a precisão da operação.

Soprador (acessório opcional) (Fig. 11)

Depois de perfurar o orifício utilize o soprador para tirar o pó do orifício.

Perfuração em madeira ou metal (Fig. 12 e 13)

Utilize o conjunto de mandril opcional. Quando o instala refira-se a “Colocação e extracção da broca” descrito na página anterior.

Agarre no anel e rode a manga para a esquerda para abrir as garras do mandril. Coloque a broca no mandril o mais fundo possível. Agarre no anel firmemente e rode a manga para a direita para apertar o mandril.

Para retirar a broca, agarre no anel e rode a manga para a esquerda. Regule o modo de acção mudando o botão para a posição “só rotação”.

Pode perfurar até 13 mm em diâmetro em metal e até 24 mm em diâmetro em madeira.

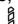
Nunca utilize “rotação com martelo” quando o conjunto do mandril está colocado na ferramenta. O conjunto do mandril pode estragar-se.

Também o mandril ficará solto quando inverter a ferramenta.

PRECAUÇÃO:

- Não acelere a perfuração se exercer demasiada pressão na ferramenta. Se o fizer poderá danificar a ponta da broca, diminuir o seu rendimento e encurtar o tempo de vida útil da ferramenta.
- No momento de atravessar o orifício exercer-se-à uma enorme força na ferramenta/broca. Segure a ferramenta com firmeza e tenha cuidado quando a broca começar a atravessar a superfície de trabalho.
- Para extrair uma broca que tenha ficado presa, coloque o comutador de inversão na posição de rotação em sentido inverso. Segure a ferramenta com firmeza, pois poderá haver uma reacção brusca durante esta operação.
- Se perfurar superfícies pequenas, segure-as sempre com um torno ou dispositivo similar.

Perfuração com coroa de diamante

Quando executa operações de perfuração com coroa de diamante, coloque sempre a alavanca de mudança na posição  para “só rotação”.

PRECAUÇÃO:

- Se executar operações de perfuração com coroa de diamante utilizando a acção de “rotação com martelo” a broca de coroa de diamante poderá ficar estragada.

MANUTENÇÃO

PRECAUÇÃO:

- Verifique sempre se a ferramenta está desligada e se retirou a ficha da tomada de corrente antes de fazer uma inspecção ou a manutenção.

Para manter a SEGURANÇA e FIABILIDADE do produto, as reparações, a inspecção e substituição da escova de carvão, qualquer outra operação de manutenção ou ajuste, deve ser efectuada pelos serviços de assistência técnica da Makita, utilizando sempre peças de substituição Makita.

ACESSÓRIOS

PRECAUÇÃO:

- Estes acessórios ou peças extra são recomendadas para utilização com a sua ferramenta Makita especificada neste manual. A utilização de qualquer outros acessórios ou peças extra podem apresentar o risco de ferimentos. Só utilize os acessórios ou peças extras para o fim a que são destinados.

Se necessitar de informações adicionais relativas a estes acessórios, solicite-as ao seu centro de assistência Makita.

- Broca de carboneto SDS Plus
- Broca de coroa
- Broca de coroa de diamante
- Conjunto de mandril
- Mandril S13
- Adaptador de mandril
- Chave do mandril S13
- Massa de lubrificação
- Punho lateral
- Guia de profundidade
- Soprador
- Depósito para o pó
- Acessório de extracção do pó
- Óculos de segurança
- Mala de transporte em plástico
- Mandril de berbequim sem chave

ENG102-3

Ruído

A característica do nível de ruído A determinado de acordo com EN60745:

Nível de pressão de som (L_{pA}): 86 dB (A)

Nível do som (L_{WA}): 97 dB (A)

Variabilidade (K): 3 dB (A)

Utilize protectores para os ouvidos

ENG217-2

Vibração

Valor total da vibração (soma vectorial tri-axial) determinado conforme EN60745:

Modo de funcionamento: perfuração com martelo em cimento

Emissão de vibração ($a_{h,HD}$): 14,0 m/s²

Variabilidade (K): 1,5 m/s²

ENG302-2

Modo de funcionamento: perfuração em metal

Emissão de vibração ($a_{h,D}$): 2,5 m/s² ou inferior

Variabilidade (K): 1,5 m/s²

ENG901-1

- O valor da emissão de vibração indicado foi medido de acordo com o método de teste padrão e pode ser utilizado para comparar duas ferramentas.
- O valor da emissão de vibração indicado pode também ser utilizado na avaliação preliminar da exposição.

AVISO:

- A emissão de vibração durante a utilização real da ferramenta eléctrica pode diferir do valor de emissão indicado, dependendo das formas como a ferramenta é utilizada.
- Certifique-se de identificar as medidas de segurança para protecção do operador que sejam baseadas em uma estimativa de exposição em condições reais de utilização (considerando todas as partes do ciclo de operação, tal como quando a ferramenta está desligada e quando está a funcionar em marcha lenta além do tempo de accionamento).

Só para países Europeus

Declaração de conformidade CE

Nós, a Makita Corporation, fabricante responsável, declaramos que a(s) seguinte(s) ferramenta(s) Makita:

Designação da ferramenta: Marteleto Rotativo

Modelos n°/Tipo: HR1830, HR1830F

são de produção de série e

Em conformidade com as seguintes directivas europeias:

98/37/EC até 28 de dezembro de 2009 e 2006/42/

EC a partir de 29 de dezembro 2009

E estão fabricados de acordo com as seguintes normas ou documentos normativos:

EN60745

A documentação técnica é mantida pelo nosso representante autorizado na Europa:

Makita International Europe Ltd.

Michigan Drive, Tongwell,

Milton Keynes, MK15 8JD, Inglaterra

30 de janeiro de 2009



Tomoyasu Kato
Director

Makita Corporation
3-11-8, Sumiyoshi-cho,
Anjo, Aichi, JAPAN

Illustrationsoversigt

1 Afbryderkontakten	9 Spænde	17 Hul i grebbase
2 Låseknap	10 Tænder	18 Støvopsamler
3 Lampe	11 Fremspring	19 Udblæsningskugle
4 Omdrejningsvælger	12 Bor/mejsel	20 Nøgleløs borepatron
5 Funktionsknap	13 Smørelse til bit	21 Borepatronadapter
6 Grebbase	14 Bor	22 Muffe
7 Sidegreb	15 Værktøjsholder	23 Ring
8 Løsne	16 Dybdeanslag	

SPECIFIKATIONER

Model	HR1830/HR1830F
Kapacitet	
Beton	18 mm
Kernebor	35 mm
Diamantkernebor (tør type)	65 mm
Stål	13 mm
Træ	24 mm
Omdrejninger (min ⁻¹)	0 – 1 500
Slagantal (min)	0 – 5 000
Længde	279 mm
Netto vægt	1,9 kg
Sikkerhedsklasse	II / I

- Ret til tekniske ændringer forbeholdes.
- Specifikationer kan variere fra land til land.
- Vægt i henhold til EPTA-Procedure 01/2003

Tilsigtet anvendelse

Denne maskine er beregnet til hammerboring og boring i mursten, beton og sten.

Den er også egnet til boring uden slag i træ, metal, keramik og plastmaterialer.

Strømforsyning

Maskinen må kun tilsluttes en strømforsyning med samme spænding som angivet på typeskiltet, og kan kun anvendes på enfaset vekselstrømforsyning. I henhold til de europæiske retningslinier er den dobbeltisoleret og kan derfor også tilsluttes netstik uden jordforbindelse.

GEA010-1

Almindelige sikkerhedsregler for el-værktøj

⚠ ADVARSEL! Læs alle sikkerhedsadvarsler og alle sikkerhedsinstruktioner. Hvis nedenstående advarsler og instruktioner ikke overholdes, kan resultatet blive elektrisk stød, brand og/eller alvorlig personskade.

Gem alle advarsler og instruktioner til fremtidig reference.

GEB007-6

SIKKERHEDSFORSKRIFTER FOR BOREHAMMER

LAD IKKE bekvemmelighed eller kendskab til produktet (opnået gennem gentagen brug) forhindre, at sikkerhedsforskrifterne for produktet nøje overholdes. Hvis De anvender denne maskine uforvarsligt og fejlagtigt, er der risiko for, at De kan komme alvorligt til skade.

1. **Brug høreværn.** Udsættelse for støj kan medføre høretab.
2. **Anvend hjælpelændtag, hvis det (de) følger med maskinen.** Personskade kan blive resultatet, hvis De mister herredømmet over maskinen.

3. **Hold altid et el-værktøj i dets isolerede håndtagsflader, når du udfører et arbejde, hvor skæreværktøjet kan komme i berøring med dets egen ledning.** Hvis skæreværktøjet kommer i berøring med en strømførende ("live") ledning, kan el-værktøjets udsatte metaldele blive strømførende og give operatøren stød.
4. **Bær stålhelm (sikkerhedshjelm), sikkerhedsbriller og/eller ansigtsmaske.** Almindelige briller eller solbriller er IKKE sikkerhedsbriller. Det anbefales også stærkt, at De bruger støvmaske og kraftige, polstrede handsker.
5. **Sørg for, at boret sidder godt fast, inden De begynder at arbejde.**
6. **Under normal anvendelse vil maskinen frembringe vibrationer.** Skruerne kan nemt løsne sig, hvilket kan føre til maskinsammenbrud eller en ulykke. Kontroller altid omhyggeligt, at skruerne er stramme, inden De begynder at bruge maskinen.
7. **I koldt vejr eller hvis maskinen ikke har været anvendt i et længere tidsrum, skal De give maskinen tid til varme op i et stykke tid ved at lade den køre ubelastet.** Dette vil løse smørelsen. Uden ordentlig opvarmning vil hammerarbejde være vanskeligt.
8. **Sørg altid for at have et godt fodfæste.** Sørg for, at der ikke befinder sig nogen personer nedenunder, når De arbejder i højden.
9. **Hold altid godt fast i maskinen med begge hænder.**
10. **Hold hænderne væk fra de bevægelige dele.**
11. **Lad ikke maskinen køre, når den ikke skal bruges.**
Anvend kun maskinen håndholdt.
12. **Ret ikke maskinen mod nogen i området, når De arbejder.** Boret kan blive slynget ud, hvorved omkringstående kan komme til skade.
13. **Lad være med at røre ved boret eller nogen af de dele, som er tæt ved boret, umiddelbart efter anvendelsen.** De kan være meget varme og være årsag til hudforbrændinger.
14. **En del materialer indeholder kemikalier, som kan være giftige.** Sørg for at forhindre inhalering af støv og kontakt med huden. Følg fabrikantens sikkerhedsforskrifter.

GEM DISSE FORSKRIFTER.

ADVARSEL:

MISBRUG eller forsømmelse af at følge de i denne brugsvejledning givne sikkerhedsforskrifter kan føre til, at De kommer alvorligt til skade.

FUNKTIONSBESKRIVELSER

FORSIGTIG:

- Kontrollér altid, at maskinen er slået fra, og at netstikket er trukket ud af stikkontakten, før De justerer eller kontrollerer funktioner på denne maskine.

Betjening (Fig. 1)

FORSIGTIG:

- Før maskinen startes bør det altid kontrolleres at afbryderkontakten fungerer korrekt og returnerer til "OFF" indstillingen når den slippes.

Maskinen startes ved blot at trykke på afbryderkontakten. Maskinhastigheden øges ved at øge trykket på afbryderkontakten. Slip afbryderkontakten for at stoppe. Ved vedvarende arbejde trykkes afbryderkontakten ind og låseknappen skubbes ind. For at frigøre maskinen fra denne låste position trykkes afbryderkontakten helt ind hvorefter den slippes.

Belysningslamper (Fig. 2)

Kun for Model HR1830F

FORSIGTIG:

- Se ikke direkte på lyskilden.

Lampen tændes ved at man trykker på afbryderen. Slip afbryderen for at slukke.

BEMÆRK:

- Anvend en tør klud til at tørre smuds af lampens linse. Undgå at ridse lampens linse, da det vil gøre belysningens svagere.

Omvendt betjening (Fig. 3)

Denne maskine er forsynet med en omdrejningsvælger til at ændre omdrejningsretningen. Flyt omdrejningsvælgeren til ◁ stillingen (A side) for omdrejning med uret, eller til ▷ stillingen (B side) for omdrejning mod uret.

FORSIGTIG:

- Kontroller altid omdrejningsretningen før betjening.
- Anvend kun omdrejningsvælgeren efter at maskinen er helt stoppet. Hvis omdrejningsretningen ændres før maskinen er helt stoppet, kan det medføre beskadigelse af maskinen.
- Hvis afbryderkontakten ikke kan trykkes ned, skal det kontrolleres, om omdrejningsvælgeren er sat helt i stilling ◁ (A-side) eller ▷ (B-side).

Valg af funktionsmåde (Fig. 4)

Dette værktøj er udstyret med en funktionsknap. Vælg en af de to funktioner, der passer til Deres arbejde, med denne knap.

For udelukkende rotation skal låseknappen trykkes ned og knappen drejes, så pilen på knappen viser mod ⚙️ symbolet på maskinen.

For rotation med hammerfunktion skal låseknappen trykkes ned og knappen drejes, så pilen på knappen viser mod 🔨 symbolet på maskinen.

FORSIGTIG:

- Indstil altid knappen helt efter det ønskede funktionssymbol. Hvis værktøjet betjenes med knappen indstillet halvvejs mellem funktionssymbolerne, kan værktøjet blive beskadiget.
- Anvend knappen, efter at maskinen er stoppet helt.

Skridkobling

Skridkoblingen slår til, når et vist omdrejningsmoment nås. Motoren vil koble fra drivakslen, og boret vil holde op med at rotere.

FORSIGTIG:

- Sluk værktøjet, så snart skridkoblingen slår til. Dette vil forhindre unødigt slid på værktøjet.
- Anvend ikke værktøjet til store hullsæve. Disse har tendens til at sætte sig fast. Dette vil medføre, at skridkoblingen for ofte slår til.

SAMLING

FORSIGTIG:

- Kontrollér altid, at maskinen er slået fra, og at netstikket er trukket ud af stikkontakten, før De udfører nogen former for arbejde på maskinen.

Sidegreb (hjælpegreb) (Fig. 5)

FORSIGTIG:

- Brug altid sidegrebet af hensyn til betjeningssikkerheden.

Monér sidegrebet således at tænderne passer ind i fremspringene på spindelhalsen. Fastspænd det i den ønskede position ved at dreje selve sidegrebet med uret. Sidegrebet kan monteres i enhver position 360° om spindelhalsen.

Smørelse til bit

Smør halsen på boret med en smule smørelse (ca. 0,5 – 1,0 g) før anvendelse.

Denne smøring sikrer problemfri funktion og forlænger værktøjets levetid.

Montering og afmontering af boret

Rengør værktøjsskaffet og smør med fedt før montering. (Fig. 6)

Sæt værktøjet i værktøjsholderen, drej det og skub det i helt ind til det låser. (Fig. 7)

Drej og træk i værktøjet for at kontrollere at det er korrekt monteret.

Værktøjet fjernes ved at trække værktøjsholderen helt tilbage og samtidig trække værktøjet ud. (Fig. 8)

Dybdeanslag (Fig. 9)

Dybdeanslaget er bekvemt når der skal bores huller af samme dybde. Sidegrebet løsnes og dybdeanslaget sættes ind i hullet på sidegrebet. Indstil dybdeanslaget til den ønskede dybde og stram sidegrebet.

BEMÆRK:

- Dybdeanslaget kan ikke anvendes i en position hvor dybdeanslaget slår imod gearhuset.

Støvopsamler (Fig. 10)

Anvend støvopsamleren for at forhindre støv i at drysse ned over værktøjet og Dem selv når der foretages boringer i større højder. Sæt støvopsamleren på boret som vist i Fig. 10. Støvopsamleren kan sættes på værktøj af følgende størrelse.


	Værktøj diameter
Støvopsamler 5	6 mm – 14,5 mm
Støvopsamler 9	12 mm – 16 mm

ANVENDELSE

Hammerboring

FORSIGTIG:

- Værktøjet/boret udsættes for en kolossal og pludselig drejning når hullet gennembrydes, når borehullet stoppes af støv eller sten, eller når det slår mod de forstærkende bjælker i betonen. Brug altid sidegrebet (hjælpegreb) og hold værktøjet godt fast både med sidegrebet og afbrydergrebet under anvendelse. Hvis dette ikke gøres, kan det medføre at De mister kontrollen over værktøjet og dermed alvorlige skader.

Når der bores i beton, granit og lignende, skal funktionsknappen sættes i stillingen med  symbolet for at anvende "rotation med hammerfunktion" funktionen.

Sørg for at anvende et bor med med tungsten-karbid-spids.

Placer boret på det ønskede sted, hvor hullet skal bores, og tryk derefter på afbryderen. Anvend ikke magt. Med et let tryk opnås de bedste resultater. Hold boret mod hullet og sørg for, at det ikke rutscher væk.

Tryk ikke yderligere såfremt borehullet bliver tilstoppet af spåner eller støv. Lad istedet værktøjet køre i tomgang, og træk dernæst boret delvist ud af hullet. Ved at gentage dette adskillige gange bliver borehullet rent, og boringen kan genoptages.

BEMÆRK:

- Der kan være excentricitet i borets omdrejning, når værktøjet anvendes uden belastning. Værktøjet centerer automatisk sig selv under anvendelsen. Dette vil ikke påvirke præcisionen af boringen.

Udblæsningskugle (ekstraudstyr) (Fig. 11)

Anvend, når hullet er udboret, udblæsningskuglen til at fjerne støvet fra hullet.

Boring i træ eller metal (Fig. 12 og 13)

Se "Montering og afmontering af boret", beskrevet på foregående side, når borepatronsættet skal monteres.

Hold på ringen og drej muffen mod uret for at åbne patronens kæber. Sæt boret helt ind i borepatronen. Hold ringen fast, og drej muffen med uret for at stramme patronen til.

Afmontér boret ved at holde ringen fast og dreje muffen mod uret. Sæt funktionsvælgeren ud for "kun rotation".

Den maksimale borekapacitet i metal er 13 mm og i træ er den 24 mm.


Anvend ikke "rotation med hammerboring" funktionen når borepatronen er monteret på værktøjet. Borepatronen kan blive beskadiget.

Borepatronen kan også gå af når værktøjet vendes.

FORSIGTIG:

- Overdrevent tryk på maskinen vil ikke gøre boringen hurtigere. I virkeligheden vil det kun medvirke til at beskadige spidsen på boret, forringe maskinens ydeevne og forkorte maskinens levetid.
- Maskinen/boret udsættes for en voldsom vridningspåvirkning, når der brydes igennem hullet. Hold maskinen godt fast og udvis forsigtighed, når boret begynder at bryde gennem emnet.
- Et bor, der har sat sig fast, kan nemt fjernes ved at sætte den omstyrede afbryderkontakt til modsat omdrejningsretning for at bakke ud. Maskinen kan dog bakke ukontrollabelt ud, hvis der ikke holdes godt fast på maskinen, før den startes.
- Mindre emner skal fastgøres forsvarligt i en skruestik eller lignende.

Diamantkerneboring

Ved udførelse af diamantkerneboring, skal funktionsvælgeren altid sættes til  positionen for at anvende "rotation alene" arbejds måden.

FORSIGTIG:

- Hvis diamantkerneboring udføres med "rotation med hammerboring", kan diamantkerneboret blive beskadiget.

VEDLIGHOLDELSE

FORSIGTIG:

- Kontrollér altid, at maskinen er slået fra, og netledningen taget ud af stikkontakten, inden De udfører inspektion eller vedligeholdelse.

For at opretholde produktets SIKKERHED og PÅLIDELIGHED bør reparation, inspektion og udskiftning af kul, samt anden vedligeholdelse og justering kun udføres af et autoriseret Makita service-center med anvendelse af originale Makita udskiftningsdele.

TILBEHØR

FORSIGTIG:

- Dette udstyr og tilbehør bør anvendes sammen med Deres Makita maskine, sådan som det er beskrevet i denne brugsanvisning. Anvendelse af andet udstyr eller tilbehør kan udgøre en risiko for personskade. Tilbehøret bør kun anvendes til det, det er beregnet til.

Hvis De behøver hjælp ved valg af tilbehør eller ønsker yderligere informationer, bedes De kontakte Deres lokale Makita service center.

- SDS-Plus HM bor
- Kernebor
- Diamantkernebor
- Borepatrons samling
- Borepatron S13
- Borepatronadapter
- Borepatronnøgle S13
- Smørelse til bit
- Sidegreb
- Dybdeanslag
- Udblæsningskugle
- Støvopsamler
- Sugesæt
- Beskyttelsesbriller
- Trasportkuffert
- Nøgleløs borepatron

Lyd

Det typiske A-vægtede støjniveau bestemt i overensstemmelse med EN60745:

Lydtryksniveau (L_{pA}): 86 dB (A)

Lydeffektniveau (L_{wA}): 97 dB (A)

Usikkerhed (K): 3 dB (A)

Bær høreværn

ENG217-2

Vibration

Vibrations totalværdi (tre-aksial vektorsum) bestemt i overensstemmelse med EN60745:

Arbejdsindstilling: hammerboring i beton

Vibrationsafgivelse ($a_{h,HD}$): 14,0 m/s²

Usikkerhed (K): 1,5 m/s²

ENG302-2

Arbejdsindstilling: boring i metal

Vibrationsafgivelse ($a_{h,D}$): 2,5 m/s² eller mindre

Usikkerhed (K): 1,5 m/s²

ENG901-1

- Den angivne vibrationsemmissionsværdi er blevet målt i overensstemmelse med standardtestmetoden og kan anvendes til at sammenligne en maskine med en anden.
- Den angivne vibrationsemmissionsværdi kan også anvendes i en preliminær eksponeringsvurdering.

ADVARSEL:

- Vibrationsemissionen under den faktiske anvendelse af maskinen kan være forskellig fra den erklærede emissionsværdi, afhængigt af den måde, hvorpå maskinen anvendes.
- Sørg for at identificere de sikkerhedsforskrifter til beskyttelse af operatøren, som er baseret på en vurdering af eksponering under de faktiske brugsforhold (med hensyntagen til alle dele i brugscyklen, som f.eks. de gange, hvor maskinen er slukket og når den kører i tomgang i tilgift til afbrydertiden).

Kun for lande i Europa**EU-konformitetserklæring**

Vi, Makita Corporation, erklærer, som den ansvarlige fabrikant, at den (de) følgende Makita maskine(r):

Maskinens betegnelse: Borehammer

Model nr./Type: HR1830, HR1830F

er af serieproduktion og

opfylder betingelserne i de følgende EU-direktiver:

98/37/EC indtil 28. december 2009 og derefter med

2006/42/EC fra 29. december 2009

og er fremstillet i overensstemmelse med de følgende standarder eller standardiserede dokumenter:

EN60745

Den tekniske dokumentation opbevares af vores autoriserede repræsentant i Europa, som er:

Makita International Europe Ltd.

Michigan Drive, Tongwell,

Milton Keynes, MK15 8JD, England

30. januar 2009



Tomoyasu Kato
Direktør

Makita Corporation
3-11-8, Sumiyoshi-cho,
Anjo, Aichi, JAPAN

Περιγραφή γενικής άποψης

1 Σκανδάλη διακόπτης	9 Σφίξιμο	18 Δοχείο σκόνης
2 Κπουμπί ασφάλισης	10 Δόντια	19 Φούσκα φυσήτριας
3 Λάμπα	11 Προεξοχές	20 Σφικτήρας τρυπανιού χωρίς κλειδί
4 Διακόπτη αντιστροφής	12 Στέλεχος αιχμής	21 Προσαρμοστής σφικτήρα
5 Κουμπί αλλαγής τρόπου λειτουργίας	13 Γράσο αιχμής	22 Μανίκι
6 Βάση λαβής	14 Αιχμή	23 Δακτύλιος
7 Πλευρική λαβή	15 Κάλυμμα σφικτήρα	
8 Χαλάρωμα	16 Μετρητής βάθους	
	17 Οπή της βάσης λαβής	


ΤΕΧΝΙΚΑ ΧΑΡΑΚΤΗΡΙΣΤΙΚΑ

GEB007-6

Μοντέλο

HR1830/HR1830F

Χωρητικότητα

Μπετόν.....	18 χιλ.
Αιχμή πυρήνα.....	35 χιλ.
Κύλινδρος αιχμής αδαμάντινου πυρήνα (ξηρού τύπου).....	65 χιλ.
Ατσάλι.....	13 χιλ.
Ξύλο.....	24 χιλ.
Ταχύτητα χωρίς φορτίο (min ⁻¹).....	0 – 1.500
Χτυπήματα ανά λεπτό.....	0 – 5.000
Συνολικό μήκος.....	279 χιλ.
Καθαρό βάρος.....	1,9 Χγρ
Κατηγορία ασφάλειας.....	 II

- Λόγω του συνεχιζόμενου προγράμματος έρευνας και ανάπτυξης, οι παρούσες προδιαγραφές υπόκεινται σε αλλαγή χωρίς προειδοποίηση.
- Τα τεχνικά χαρακτηριστικά μπορεί να διαφέρουν από χώρα σε χώρα.
- Βάρος σύμφωνα με διαδικασία EPTA 01/2003

Προοριζόμενη χρήση

Το εργαλείο προορίζεται για κρουστικό τρυπάνισμα και τρυπάνισμα σε τούβλα, σκυρόδεμα και πέτρα. Είναι επίσης κατάλληλο για τρυπάνισμα χωρίς κρούση σε ξύλο, μέταλλο, κεραμικά και πλαστικά.

Ρευματοδότηση

Το μηχάνημα πρέπει να συνδέεται μόνο σε παροχή ρεύματος της ίδιας τάσης με αυτή που αναφέρεται στην πινακίδα κατασκευαστού και μπορεί να λειτουργήσει μόνο με εναλλασσόμενο μονοφασικό ρεύμα. Τα μηχανήματα αυτά έχουν διπλή μόνωση σύμφωνα με τα Ευρωπαϊκά Πρότυπα και κατά συνέπεια, μπορούν να συνδεθούν σε ακροδέκτες χωρίς σύρμα γείωσης.

GEA010-1

Γενικές προειδοποιήσεις ασφαλείας για το ηλεκτρικό εργαλείο

⚠️ ΠΡΟΕΙΔΟΠΟΙΗΣΗ Διαβάστε όλες τις προειδοποιήσεις ασφαλείας και όλες τις οδηγίες. Η μη τήρηση των προειδοποιήσεων και οδηγιών ενδέχεται να καταλήξει σε ηλεκτροπληξία, πυρκαγιά ή/και σοβαρό τραυματισμό.

Φυλάξτε όλες τις προειδοποιήσεις και τις οδηγίες για μελλοντική παραπομπή.

ΠΕΡΙΣΤΡΟΦΙΚΟ ΣΦΥΡΙ — ΠΡΟΕΙΔΟΠΟΙΗΣΕΙΣ ΑΣΦΑΛΕΙΑΣ

ΜΗΝ επιτρέψετε το βαθμό άνεσης ή εξοικείωσης με το προϊόν (λόγω επανειλημμένης χρήσης) να αντικαταστήσει την αυστηρή τήρηση των κανόνων ασφαλείας του εργαλείου. Εάν χρησιμοποιήσετε το εργαλείο αυτό χωρίς ασφάλεια ή εσφαλμένα, είναι πιθανόν να υποστείτε σοβαρό προσωπικό τραυματισμό.

1. **Φοράτε ωτασπίδες.** Εκθεση σε θόρυβο μπορεί να προκαλέσει απώλεια ακοής.
2. **Να χρησιμοποιείτε τη/τις βοηθητική(ές) λαβή(ές), εάν παρέχεται(ονται) με το εργαλείο.** Απώλεια ελέγχου μπορεί να προκαλέσει προσωπικό τραυματισμό.
3. **Να κρατάτε τα ηλεκτρικά εργαλεία μόνον από τις μονωμένες επιφάνειες συγκράτησης, κατά την εκτέλεση εργασιών όπου το παρελκόμενο κοπή ενδέχεται να έλθει σε επαφή με κροφές καλωδιώσεις ή το δικό του καλώδιο τροφοδοσίας.** Σε περίπτωση επαφής του παρελκόμενου κοπής με “ηλεκτροφόρο” καλώδιο, ενδέχεται τα εκτεθειμένα μεταλλικά εξαρτήματα του ηλεκτρικού εργαλείου να καταστούν τα ίδια “ηλεκτροφόρα” και να προκαλέσουν ηλεκτροπληξία στο χειριστή.
4. **Φοράτε ένα σκληρό κράνος (κράνος ασφάλειας), γυαλιά ασφάλειας και/ή ασπίδα προσώπου.** Τα συνηθισμένα γυαλιά ή τα γυαλιά ηλίου ΔΕΝ είναι γυαλιά ασφάλειας. Συνιστάται επίσης ισχυρώς να φοράτε μιά προσωπίδα σκόνης και γάντια με παχεία επένδυση.
5. **Βεβαιώνετε ότι η αιχμή είναι στην θέση της πριν από την λειτουργία.**
6. **Κάτω από κανονικές συνθήκες, το εργαλείο είναι σχεδιασμένο να προκαλεί δονήσεις.** Οι βίβες μπορεί να χαλαρώσουν εύκολα, προκαλώντας βλάβη ή ατύχημα. Ελέγχετε το σφίξιμο των βιδών προσεκτικά πριν από την λειτουργία.
7. **Σε κρύο καιρό ή όταν το εργαλείο δεν έχει χρησιμοποιηθεί για πολύ καιρό, αφήστε το εργαλείο να θερμανθεί για λίγο λειτουργώντας το χωρίς φορτίο.** Αυτό θα ρευστοποιήσει την λίπανση. Χωρίς την κατάλληλη προθέρμανση, η λειτουργία σφυροκοπήματος είναι δύσκολη.
8. **Πάντοτε βεβαιώνετε ότι έχετε σταθερή βάση ποδιών.**
Βεβαιώνετε ότι δεν είναι κανείς από κάτω όταν χρησιμοποιείτε το εργαλείο σε υψηλές θέσεις.

9. Κρατάτε το εργαλείο σταθερά και με τα δύο χέρια.
10. Κρατάτε τα χέρια σας μακριά από τα κινούμενα μέρη.
11. Μην αφήνετε το εργαλείο σε λειτουργία. Λειτουργείτε το εργαλείο μόνο όταν το κρατάτε στα χέρια σας.
12. Μη διευθύνετε το εργαλείο προς άλλα άτομα στην περιοχή λειτουργίας. Η αιχμή μπορεί να πεταχτεί έξω και να τραυματίσει κάποιον σοβαρά.
13. Μην αγγίζετε την αιχμή ή μέρη κοντά στην αιχμή αμέσως μετά την λειτουργία. Μπορεί να είναι υπερβολικά καυτά και να σας προκαλέσουν εγκαύματα στο δέρμα.
14. Μερικά υλικά περιέχουν χημικές ουσίες που μπορεί να είναι τοξικές. Προσέχετε να μην εισπνεύσετε σκόνη και να μην έχετε δερματική επαφή. Ακολουθείστε τις οδηγίες ασφάλειας του προμηθευτή των υλικών.

ΦΥΛΑΞΤΕ ΤΙΣ ΟΔΗΓΙΕΣ ΑΥΤΕΣ.

ΠΡΟΕΙΔΟΠΟΙΗΣΗ:

ΚΑΚΗ ΧΡΗΣΗ ή αμέλεια να ακολουθήσετε τους κανόνες ασφάλειας που διατυπώνονται σ'αυτό το εγχειρίδιο οδηγιών μπορεί να προκαλέσει σοβαρό προσωπικό τραυματισμό.

ΠΕΡΙΓΡΑΦΗ ΛΕΙΤΟΥΡΓΙΑΣ

ΠΡΟΣΟΧΗ:

- Πάντοτε βεβαιώνετε ότι το εργαλείο είναι σβηστό και αποσυνδεδεμένο από το ρεύμα πριν ρυθμίσετε ή ελέγξετε την λειτουργία του εργαλείου.

Δειτουργία διακόπτη (Εικ. 1)

ΠΡΟΣΟΧΗ:

- Πριν συνδέσετε το μηχάνημα στο ρεύμα, πάντοτε ελέγχετε να δείτε ότι η σκανδάλη διακόπτης ενεργοποιείται κανονικά και επιστρέφει στη θέση "OFF" όταν ελευθερώνεται.

Για να ξεκινήσει το μηχάνημα τραβήχτε τη σκανδάλη διακόπτης. Η ταχύτητα του μηχανήματος αυξάνεται με αύξηση της πίεσης στη σκανδάλη διακόπτης. Για να σταματήσει ελευθερώστε τη σκανδάλη διακόπτης. Για συνεχή λειτουργία, τραβήχτε τη σκανδάλη διακόπτης και μετά σπρώχτε μέσα το κουμπί ασφάλισης. Για να σταματήσετε το μηχάνημα από τη θέση ασφάλισης, τραβήχτε τη σκανδάλη διακόπτης πλήρως και μετά αφήστε τη.

Αναμπα των λαμπών (Εικ. 2)

Μν για Μοντέλο HR1830F

ΠΡΟΣΟΧΗ:

- Μη κυττάτε το φως ούτε να βλέπετε την πηγή φωτός απευθείας.

Για να ανάψετε τη λάμπα, τραβήχτε τη σκανδάλη. Ελευθερώστε τη σκανδάλη για να τη σβήσετε.

ΣΗΜΕΙΩΣΗ:

- Χρησιμοποιείτε ένα στεγνό ύφασμα για να σκουπίζετε τους ρύπους από το φακό της λάμπας. Προσέχετε να μη γρατσουνίσετε το φακό της λάμπας, διαφορετικά θα μειωθεί ο φωτισμός.


Διακόπτης αντιστροφής (Εικ. 3)

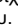
Αυτό το εργαλείο έχει ένα διακόπτη αντιστροφής για να αλλάξει την διεύθυνση περιστροφής. Μετακινείτε τον μοχλό διακόπτη αντιστροφής στη θέση ◁ (πλευρά Α) για δεξιόστροφη περιστροφή ή στη θέση ▷ (πλευρά Β) για αριστερόστροφη περιστροφή.

ΠΡΟΣΟΧΗ:

- Πάντοτε ελέγχετε την φορά περιστροφής πριν τη λειτουργία.
- Χρησιμοποιείτε το διακόπτη αντιστροφής μόνο αφού η μηχανή σταματήσει τελείως. Αλλάζοντας τη φορά περιστροφής του μηχανήματος πριν αυτό σταματήσει μπορεί να καταστρέψει το μηχάνημα.
- Αν δεν μπορείτε να πατήσετε το διακόπτη σκανδάλη, ελέγξτε αν ο διακόπτης αντιστροφής είναι ρυθμισμένος πλήρως στη θέση ◁ (πλευρά Α) ή στη θέση ▷ (πλευρά Β).

Επιλογή τρόπου λειτουργίας (Εικ. 4)

Αυτό το εργαλείο είναι εφοδιασμένο με ένα κουμπί αλλαγής τρόπου λειτουργίας. Επιλέξτε έναν από τους δύο τρόπους, κατάλληλο για τις ανάγκες της εργασίας σας χρησιμοποιώντας αυτό το κουμπί. Για περιστροφή μόνο, πατήστε το κουμπί ασφάλισης και περιστρέψτε το κουμπί έτσι ώστε το βέλος στο κουμπί να δείχνει προς το σύμβολο  στο σώμα του εργαλείου.

Για περιστροφή με σφυροκόπημα, πατήστε το κουμπί ασφάλισης και περιστρέψτε το κουμπί έτσι ώστε το βέλος στο κουμπί να δείχνει προς το σύμβολο  στο σώμα του εργαλείου.

ΠΡΟΣΟΧΗ:

- Πάντοτε βάζετε το κουμπί ακριβώς στο επιθυμητό σύμβολο τρόπου λειτουργίας. Εάν λειτουργήσετε το μηχάνημα με το κουμπί τοποθετημένο μεταξύ των συμβόλων τρόπων λειτουργίας, το εργαλείο μπορεί να πάθει ζημιά.
- Χρησιμοποιήστε το κουμπί μόνο όταν το εργαλείο είναι εντελώς ακινητοποιημένο.

Μηχανισμός περιορισμού ροπής

Όταν η ροπή φτάσει σε κάποιο επίπεδο τότε ενεργοποιείται ο μηχανισμός περιορισμού ροπής. Το μοτέρ αποσυνδέεται από τον άξονα μετάδοσης κίνησης, και έτσι η αιχμή σταματά να γυρίζει.

ΠΡΟΣΟΧΗ:

- Μόλις ενεργοποιηθεί αυτός ο μηχανισμός σβήστε το μηχάνημα. Ετσι προλαμβάνεται η πρόωρη φθορά του μηχανήματος.
- Πρίονι τρυπών, δεν μπορούν να χρησιμοποιηθούν με αυτό το μηχάνημα. Τέτοιου είδους εργαλεία εύκολα μπορεί να μπλοκάρουν μέσα στην τρύπα, και έτσι να ενεργοποιήσουν το μηχανισμό περιορισμού ροπής πάρα πολύ συχνά.

ΣΥΝΑΡΜΟΛΟΓΗΣΗ

ΠΡΟΣΟΧΗ:

- Πάντοτε βεβαιώνετε ότι το εργαλείο είναι σβηστό και αποσυνδεδεμένο από το ρεύμα πριν εκτελέσετε οποιαδήποτε εργασία στο εργαλείο.

Πλευρική λαβή (βοηθητική λαβή) (Εικ. 5)

ΠΡΟΣΟΧΗ:

- Πάντοτε χρησιμοποιείτε τη πλάγια λαβή για να εξασφαλίσετε ασφάλεια λειτουργίας.

Τοποθετήστε τη πλάγια λαβή έτσι ώστε τα δόντια στη λαβή να εφαρμόζουν μεταξύ των προεξοχών στη κάνη του μηχανήματος. Μετά σφίξτε τη λαβή στριβοντάς τη στην επιθυμητή θέση. Μπορεί να περιστραφεί κατά 360° έτσι ώστε να στερεώνεται σε οποιαδήποτε θέση.

Γράσσο αιχμής

Πριν αρχίσετε κάποια εργασία βάλτε μια μικρή ποσότητα γράσου αιχμής (περίπου 0,5 – 1,0 γρ.) πάνω στο στέλεχος του εργαλείου.

Το γρασσάρισμα αυτό σας εξασφαλίζει καλύτερη λειτουργία και μεγαλύτερη διάρκεια ζωής του μηχανήματος.

Τοποθέτηση ή αφαίρεση της αιχμής τρυπανιού

Καθαρίστε το στέλεχος της αιχμής και βάλτε γράσο αιχμής πριν τοποθετήσετε την αιχμή. **(Εικ. 6)** Βάλτε την αιχμή στο μηχανήμα. Στριψίτε την αιχμή και σπρώχτε τη μέχρι να εμπλακεί. **(Εικ. 7)**

Μετά την τοποθέτηση, πάντοτε βεβαιώνετε ότι η αιχμή είναι καλά στερεωμένη προσπαθώντας να την τραβήξετε έξω.

Για να αφαιρέσετε την αιχμή, τραβήχτε το κάλυμμα του σφιγκτήρα κάτω όσο μπορεί να πάει και τραβήχτε έξω την αιχμή. **(Εικ. 8)**

Μετρητής βάθους (Εικ. 9)

Ο μετρητής βάθους είναι βολικός για άνοιγμα τρυπών ίσου βάθους. Χαλαρώστε τη πλάγια λαβή και βάλτε το υετρητή βάθους στη τρύπα στη πλάγια λαβή. Ρυθμίστε το μετρητή στο επιθυμητό βάθος και σφίξτε τη πλάγια λαβή.

ΠΑΡΑΤΗΡΗΣΗ:

- Ο μετρητής βάθους δε μπορεί να χρησιμοποιηθεί στη θέση που χτυπάει στο περίβλημα γινααζιών.

Δοχείο σκόνης (Εικ. 10)

Χρησιμοποιείτε το δοχείο σκόνης για να εμποδίζετε τη σκόνη να πέσει επάνω σε σας και στο εργαλείο σας όταν εκτελείτε τρυπανιστικές εργασίες πάνω από το ύψος του κεφαλιού σας. Προσαρμόστε το δοχείο σκόνης στην αιχμή όπως φαίνεται στην **Εικ. 10**. Η επιτρεπόμενη διάμετρος αιχμής για κάθε δοχείο σκόνης είναι ως ακολούθως:

	Διάμετρος αιχμής
Δοχείο σκόνης 5	6 χιλ. – 14,5 χιλ.
Δοχείο σκόνης 9	12 χιλ. – 16 χιλ.

ΛΕΙΤΟΥΡΓΙΑ

Λειτουργία κρουστικού τρυπανισμού

ΠΡΟΣΟΧΗ:

- Μία εξαιρετικά μεγάλη και ξαφνική στρεπτική δύναμη εξασκείται στο εργαλείο/αιχμή κατά τη στιγμή του διαπεράσματος μιας τρύπας, όταν η τρύπα είναι βουλωμένη με αποκοπίδια και τεμαχίδια, ή όταν χτυπήσετε σε ενισχυτικές βέργες ενσωματωμένες στο τσιμέντο. Πάντοτε χρησιμοποιείτε την πλάγια λαβή (βοηθητική χειρολαβή) και κρατάτε γερά το εργαλείο και από τη βοηθητική λαβή και από τη χειρολαβή διακόπτη κατά τη λειτουργία. Διαφορετικά μπορεί να χάσετε τον έλεγχο του εργαλείου και να προκληθεί σοβαρός τραυματισμός.

Κατά το τρυπάνισμα σε τσιμέντο, γρανίτη κτλ., μετακινήστε τη μετάζευξη συστήματος λειτουργίας στη θέση **Τ** για να χρησιμοποιήσετε τη λειτουργία “περιστροφή με σφυροκόπημα”.

Βεβαιωθείτε να χρησιμοποιείτε τη μύτη με άκρο βολφραμίου-καρβιδίου.

Τοποθετήστε την αιχμή στην επιθυμητή θέση για την τρύπα και πιέστε τη σκανδάλη διακόπτης. Μη ζορίζετε το μηχανήμα. Ελαφριά πίεση δίνει τα καλύτερα αποτελέσματα. Κρατήστε το μηχανήμα στη θέση αυτή και εμποδίστε το να ξεφύγει από την τρύπα.

Μην εξασκήσετε μεγαλύτερη πίεση όταν η τρύπα βουλώσει από μικρά κομμάτια ή σωματίδια. Αντιθέτως, βάλτε το εργαλείο στο ραλαντί, και τραβήχτε την αιχμή μερικώς από την τρύπα. Επαναλαμβάνοντας αυτό αρκετές φορές, η τρύπα θα καθαρίσει και το κανονικό τρυπάνισμα μπορεί να ξαναρχίσει.

ΠΑΡΑΤΗΡΗΣΗ:

- Εκκεντρικότητα κατά την περιστροφή μπορεί να συμβεί ενώ το εργαλείο λειτουργεί χωρίς φορτίο. Το εργαλείο αυτόματα επανέρχεται στο κέντρο κατά την λειτουργία. Αυτό δεν επηρεάζει την ακρίβεια τρυπανίσματος.

Φούσκα φυσητήρας (προαιρετικό εξάρτημα)

(Εικ. 11)

Μετά το άνοιγμα της τρύπας, χρησιμοποιήστε τη φούσκα φυσητήρα για να καθαρίσετε τη σκόνη από την τρύπα.

Τρυπάνισμα σε ξύλο ή μέταλλο (Εικ. 12 και 13)

Χρησιμοποιείτε το προαιρετικό σύνολο σφιγκτήρα τρυπανιού. Για την τοποθέτηση του, αναφερθείτε στο “Τοποθέτηση ή αφαίρεση της αιχμής τρυπανιού” που περιγράφεται στην προηγούμενη σελίδα.

Κρατήστε τον δακτύλιο και γυρίστε το μανίκι αριστερόστροφα να ανοίξετε τις σιαγώνες του σφιγκτήρα. Βάλτε την αιχμή στον σφιγκτήρα όσο βαθειά μπορεί να πάει. Κρατάτε τον δακτύλιο σταθερά και γυρίστε το μανίκι δεξιόστροφα για να σφίξετε τον σφιγκτήρα.

Για να αφαιρέσετε την αιχμή, κρατάτε τον δακτύλιο και γυρίστε το μανίκι αριστερόστροφα. Ρυθμίστε το κουμπί αλλαγής τρόπου λειτουργίας στο “μόνο περιστροφής”.

Μπορείτε να τρυπήσετε μέχρι 13 χιλ. διάμετρο σε μέταλλο και μέχρι 24 χιλ. διάμετρο σε ξύλο.

Ποτέ μη χρησιμοποιείτε “περιστροφή με σφυροκόπημα” όταν το σύνολο σφιγκτήρα τρυπανιού είναι τοποθετημένο στο εργαλείο. Το σύνολο σφιγκτήρα τρυπανιού μπορεί να πάθει ζημιά. Επίσης, ο σφιγκτήρας τρυπανιού θα βγει έξω όταν αντιστραφεί η φορά περιστροφής του εργαλείου.

ΠΡΟΣΟΧΗ:

- Πιέζοντας υπερβολικά το μηχανήμα δεν θα επιταχύνει το τρυπάνισμα. Στην πραγματικότητα, η υπερβολική αυτή πίεση θα κάνει μόνο ζημιά στο άκρο της αιχμής, μειώνοντας την απόδοση και τη διάρκεια ζωής του μηχανήματος.
- Κατά τη στιγμή του ανοίγματος μιας τρύπας μια εξαιρετικά μεγάλη δύναμη εξασκείται στην αιχμή του μηχανήματος. Κρατάτε το μηχανήμα σταθερά και προσέχετε όταν η αιχμή αρχίζει να διαπερνά την επιφάνεια του αντικειμένου εργασίας.

- Μια μαγκωμένη αιχμή μπορεί να αφαιρεθεί βάζοντας το μηχανήμα να γυρίσει προς την αντίστροφη διεύθυνση. Όμως το μηχανήμα αποσπάται εύκολα εκτός αν το κρατάτε γερά πριν το ξεκινήσετε.
- Πάντοτε υποστηρίζετε ένα μικρό αντικείμενο εργασίας με μια μέγγενη ή άλλο παρόμοιο εργαλείο ακινητοποίησης.

Τρυπάνισμα με αδαμάντινο πυρήνα

Όταν εκτελείτε εργασίες τρυπανίσματος με αδαμάντινο πυρήνα, πάντοτε ρυθμίζετε το μοχλό αλλαγής στη θέση ⌘ για να χρησιμοποιείτε λειτουργία “μόνο περιστροφής”.

ΠΡΟΣΟΧΗ:

- Όταν εκτελείτε εργασίες τρυπανίσματος με αδαμάντινο πυρήνα χρησιμοποιώντας λειτουργία “περιστροφή με σφυροκόπημα” ο κύλινδρος αιχμής αδαμάντινου πυρήνα μπορεί να πάθει ζημιά.

ΣΥΝΤΗΡΗΣΗ

ΠΡΟΣΟΧΗ:

- Πάντοτε βεβαιώνετε ότι το εργαλείο είναι σβηστό και αποσυνδεδεμένο από το ρεύμα πριν επιχειρήσετε να κάνετε έλεγχο ή συντήρηση του εργαλείου.

Για την διατήρηση της ΑΣΦΑΛΕΙΑΣ και ΑΞΙΟΠΙΣΤΙΑΣ του προϊόντος, επισκευές, έλεγχος και αντικατάσταση των ψηκτρών άνθρακα, οποιαδήποτε άλλη συντήρηση ή ρύθμιση, πρέπει να εκτελούνται από Κέντρα Εξυπηρέτησης Εξουσιοδοτημένα από την Μάκιτα, πάντοτε με την χρησιμοποίηση ανταλλακτικών Μάκιτα.

ΕΞΑΡΤΗΜΑΤΑ

ΠΡΟΣΟΧΗ:

- Αυτά τα εξαρτήματα ή προσαρτήματα συνιστώνται για χρήση με το εργαλείο Μάκιτα που περιγράφεται στις οδηγίες αυτές. Η χρήση οτιδήποτε άλλων εξαρτημάτων ή προσαρτημάτων μπορεί να προκαλέσει κίνδυνο τραυματισμού σε άτομα. Χρησιμοποιείτε τα εξαρτήματα ή προσαρτήματα μόνο για την χρήση που προορίζονται.

Εάν χρειάζεστε οποιαδήποτε βοήθεια για περισσότερες πληροφορίες σε σχέση με αυτά τα εξαρτήματα, αποτανθείτε στο τοπικό σας κέντρο εξυπηρέτησης Μάκιτα.

- Αιχμή SDS πρόσθετα επιβολφραμιωμένη - επικαρβιδωμένη
- Αιχμή πυρήνας
- Αιχμή αδαμάντινου πυρήνα
- Σύνολο σφικτήρα τρυπανιού
- Σφικτήρας τρυπανιού S13
- Προσαρμοστής σφικτήρα
- Σταυρόκλειδο S13
- Γράσο αιχμής
- Πλευρική λαβή
- Μετρητής βάθους
- Φούσκα Φυσητήρας
- Δοχείο σκόνης
- ροσάρτημα εξολκέα σκόνης
- Γυαλιά ασφαλείας
- Πλαστική θήκη μεταφοράς
- Σφικτήρας τρυπανιού χωρίς κλειδί

Θόρυβος

Το τυπικό Α επίπεδο μετρημένου θορύβου καθορίζεται σύμφωνα με το EN60745:

Επίπεδο πίεσης θορύβου (L_{pA}): 86 dB(A)
 Επίπεδο δύναμης ήχου (L_{wA}): 97 dB(A)
 Αβεβαιότητα (K): 3 dB (A)

Φοράτε ωτοασπίδες

ENG217-2

Κραδασμός

Η ολική τιμή δόνησης (άθροισμα τρι-αξονικού διανύσματος) καθορίζεται σύμφωνα με το EN60745:

Είδος εργασίας: τρυπάνισμα με σφυροκόπημα στο μπετόν
 Εκπομπή δόνησης ($a_{h,HD}$): 14,0 m/s²
 Αβεβαιότητα (K): 1,5 m/s²

ENG302-2

Είδος εργασίας: Τρυπάνισμα σε μέταλλο
 Εκπομπή δόνησης ($a_{h,D}$): 2,5 m/s² ή λιγότερο
 Αβεβαιότητα (K): 1,5 m/s²

ENG901-1

- Η δηλωμένη τιμή εκπομπής κραδασμών έχει μετρηθεί σύμφωνα με την πρότυπη μέθοδο δοκιμής και μπορεί να χρησιμοποιηθεί για τη σύγκριση ενός εργαλείου με άλλο.
- Η δηλωμένη τιμή εκπομπής κραδασμών μπορεί να χρησιμοποιηθεί και στην προκαταρκτική αξιολόγηση έκθεσης.

ΠΡΟΕΙΔΟΠΟΙΗΣΗ:

- Η εκπομπή κραδασμών κατά τη χρήση του ηλεκτρικού εργαλείου σε πραγματικές συνθήκες μπορεί να διαφέρει από τη δηλωμένη τιμή εκπομπής ανάλογα με τον τρόπο χρήσης του εργαλείου.
- Φροντίστε να λάβετε τα κατάλληλα μέτρα προστασίας του χειριστή βάσει υπολογισμού της έκθεσης σε πραγματικές συνθήκες χρήσης (λαμβάνοντας υπόψη όλες τις συνιστώσες του κύκλου λειτουργίας όπως τους χρόνους που το εργαλείο είναι εκτός λειτουργίας και όταν βρίσκεται σε αδρανή λειτουργία πέραν του χρόνου ενεργοποίησης).

Μόνο για χώρες της Ευρώπης

Δήλωση Συμμόρφωσης ΕΚ

Η Makita Corporation, ως ο υπεύθυνος κατασκευαστής, δηλώνει ότι το/τα ακόλουθο(α) μηχάνημα(τα) της Makita:

Χαρακτηρισμός μηχανήματος: Περιστροφικό σφυρί
Αρ. μοντέλου/ Τύπος: HR1830, HR1830F

είναι εν σειρά παραγωγή και

συμμορφώνονται με τις ακόλουθες Ευρωπαϊκές Οδηγίες:

98/37/ΕΚ έως 28 Δεκεμβρίου 2009 και
ακολουθως με την 2006/42/ΕΚ από 29
Δεκεμβρίου 2009

και κατασκευάζονται σύμφωνα με τα ακόλουθα
πρότυπα ή έγγραφα τυποποίησης:

EN60745

Η τεχνική τεκμηρίωση φυλάσσεται από τον
εξουσιοδοτημένο εκπρόσωπό μας στην Ευρώπη,
δηλαδή τη

Makita International Europe Ltd.

Michigan Drive, Tongwell,

Milton Keynes, MK15 8JD, England (Αγγλία)

30 Ιανουαρίου 2009



Tomoyasu Kato
Διευθυντής

Makita Corporation
3-11-8, Sumiyoshi-cho,
Anjo, Aichi, JAPAN

Makita Corporation

Anjo, Aichi, Japan